

NO.	DATE	REVISION	APPR BY



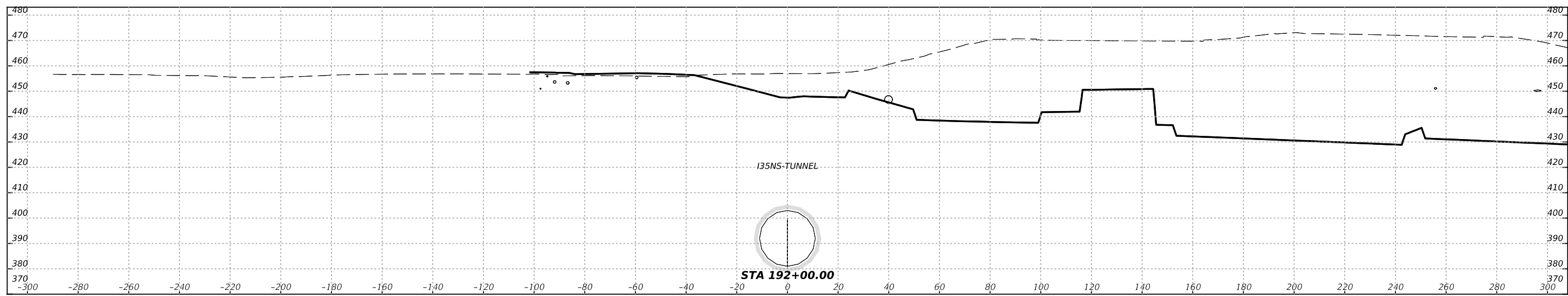
HDR Engineering, Inc.  
 Firm Registration No. F-754  
 710 Hester Crossing, Suite 150  
 Round Rock, Texas 78681



CAPITAL EXPRESS CENTRAL  
 I-35 TUNNEL  
 STA 191+90.00

SCALE: HORIZ: 1"=40'  
 VERT: 1"=40'

CONT	SECT	JOB	HIGHWAY
0015	13	433, ETC.	I-35
DIST COUNTY			SHEET NO.
AUS	TRAVIS		312



NO.	DATE	REVISION	APPR BY



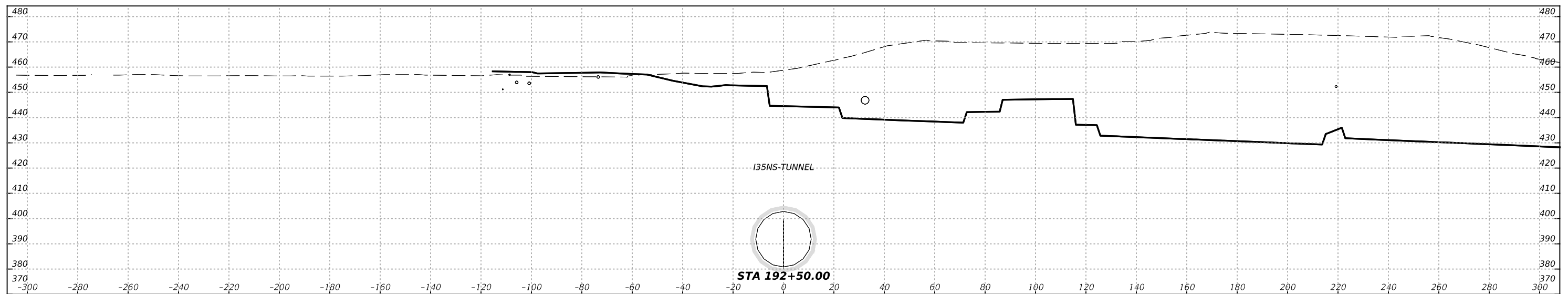
HDR Engineering, Inc.  
 Firm Registration No. F-754  
 710 Hester Crossing, Suite 150  
 Round Rock, Texas 78681



**CAPITAL EXPRESS CENTRAL**  
 I-35 TUNNEL  
 STA 192+00.00

SCALE: HORIZ: 1"=40'  
 VERT: 1"=40'

CONT	SECT	JOB	HIGHWAY
0015	13	433, ETC.	I-35
DIST	COUNTY		SHEET NO.
AUS	TRAVIS		313



NO.	DATE	REVISION	APPR BY



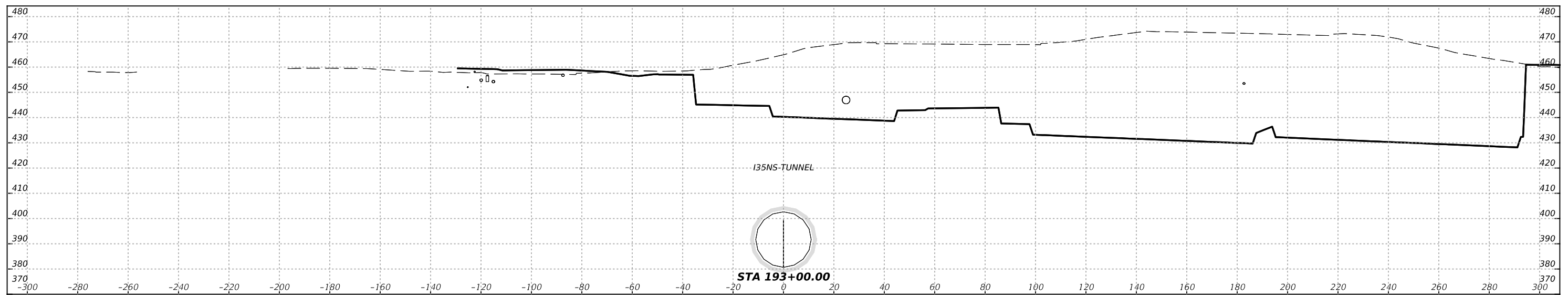
HDR Engineering, Inc.  
 Firm Registration No. F-754  
 710 Hester Crossing, Suite 150  
 Round Rock, Texas 78681



CAPITAL EXPRESS CENTRAL  
 I-35 TUNNEL  
 STA 192+50.00

SCALE: HORIZ: 1"=40'  
 VERT: 1"=40'

CONT	SECT	JOB	HIGHWAY
0015	13	433, ETC.	I-35
DIST			SHEET NO.
AUS	TRAVIS		314



NO.	DATE	REVISION	APPR BY



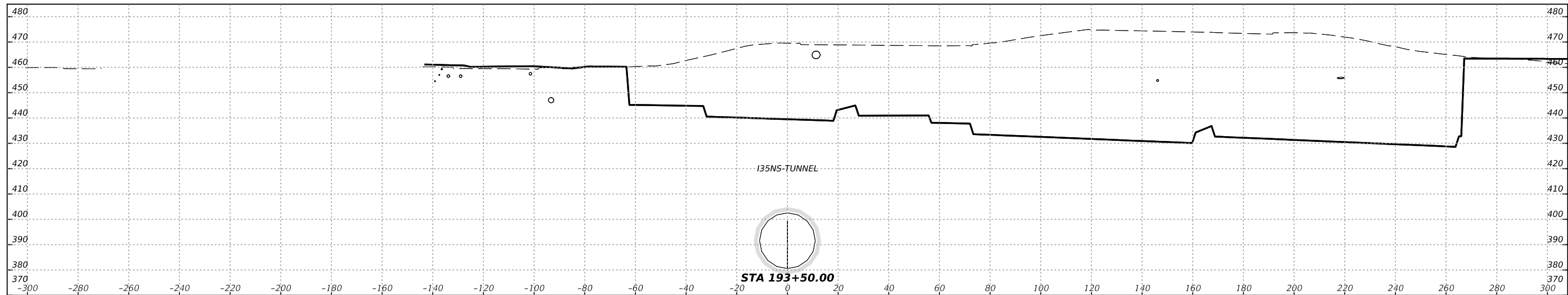
HDR Engineering, Inc.  
 Firm Registration No. F-754  
 710 Hester Crossing, Suite 150  
 Round Rock, Texas 78681



CAPITAL EXPRESS CENTRAL  
 I-35 TUNNEL  
 STA 193+00.00

SCALE: HORIZ: 1"=40'  
 VERT: 1"=40'

CONT	SECT	JOB	HIGHWAY
0015	13	433, ETC.	I-35
DIST	COUNTY		SHEET NO.
AUS	TRAVIS		315



NO.	DATE	REVISION	APPR BY



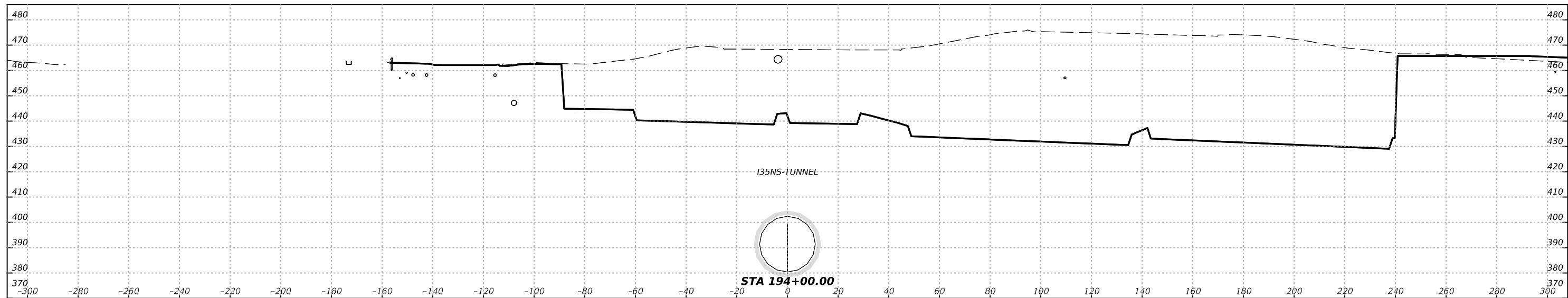
HDR Engineering, Inc.  
 Firm Registration No. F-754  
 710 Hester Crossing, Suite 150  
 Round Rock, Texas 78681



CAPITAL EXPRESS CENTRAL  
 I-35 TUNNEL  
 STA 193+50.00

SCALE: HORIZ: 1"=40'  
 VERT: 1"=40'

CONT	SECT	JOB	HIGHWAY
0015	13	433, ETC.	I-35
DIST	COUNTY		SHEET NO.
AUS	TRAVIS		316



NO.	DATE	REVISION	APPR BY



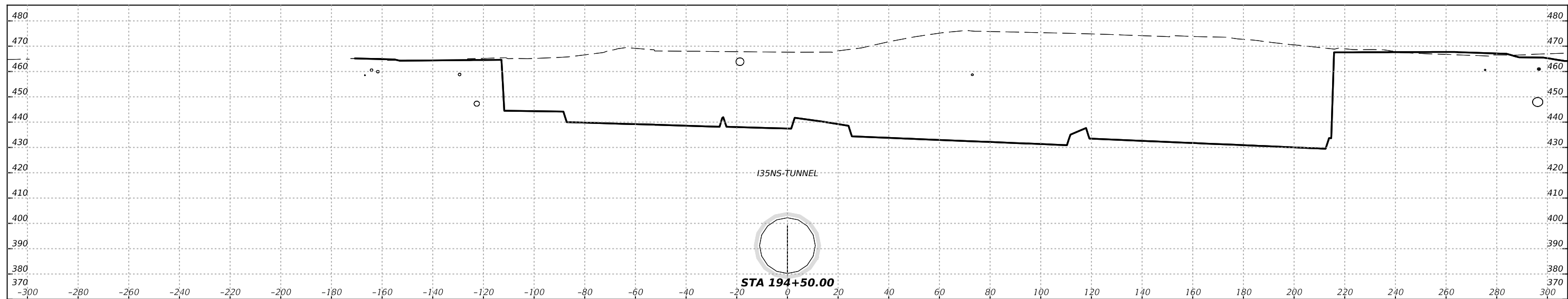
HDR Engineering, Inc.  
 Firm Registration No. F-754  
 710 Hester Crossing, Suite 150  
 Round Rock, Texas 78681



CAPITAL EXPRESS CENTRAL  
 I-35 TUNNEL  
 STA 194+00.00

SCALE: HORIZ: 1"=40'  
 VERT: 1"=40'

CONT	SECT	JOB	HIGHWAY
0015	13	433, ETC.	I-35
DIST	COUNTY		SHEET NO.
AUS	TRAVIS		317



NO.	DATE	REVISION	APPR BY



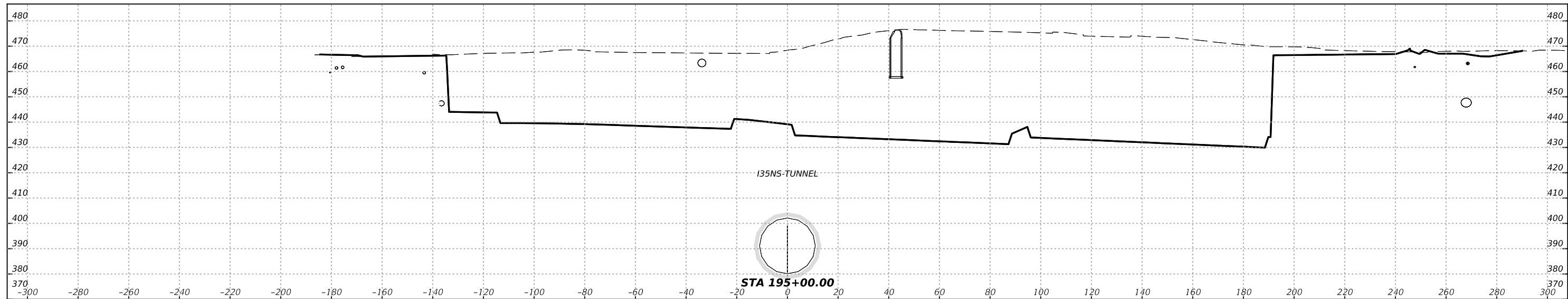
HDR Engineering, Inc.  
 Firm Registration No. F-754  
 710 Hester Crossing, Suite 150  
 Round Rock, Texas 78681



CAPITAL EXPRESS CENTRAL  
 I-35 TUNNEL  
 STA 194+50.00

SCALE: HORIZ: 1"=40'  
 VERT: 1"=40'

CONT	SECT	JOB	HIGHWAY
0015	13	433, ETC.	I-35
DIST COUNTY			SHEET NO.
AUS	TRAVIS		318



NO.	DATE	REVISION	APPR BY



HDR Engineering, Inc.  
 Firm Registration No. F-754  
 710 Hester Crossing, Suite 150  
 Round Rock, Texas 78681

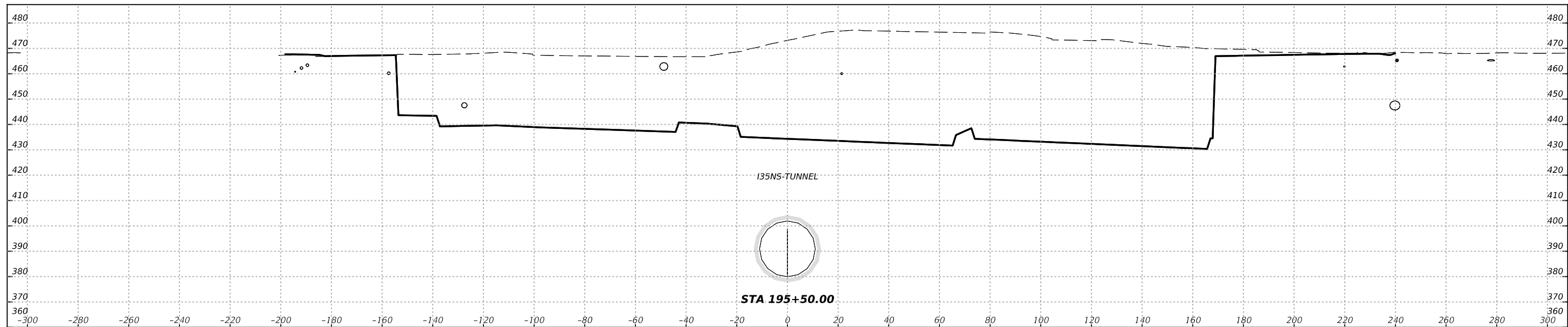


CAPITAL EXPRESS CENTRAL  
 I-35 TUNNEL  
 STA 195+00.00

SCALE: HORIZ: 1"=40'  
 VERT: 1"=40'

CONT	SECT	JOB	HIGHWAY
0015	13	433, ETC.	I-35
DIST	COUNTY		SHEET NO.
AUS	TRAVIS		319





NO.	DATE	REVISION	APPR BY



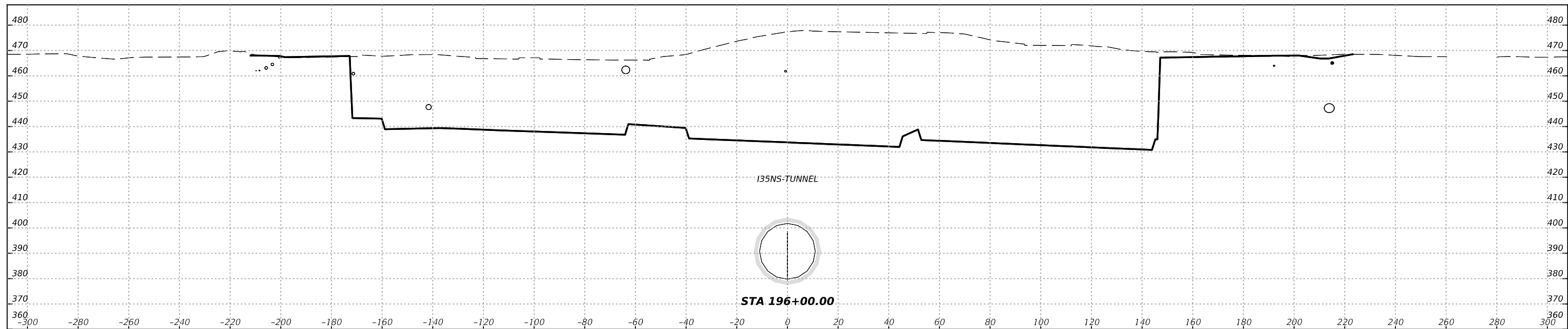
HDR Engineering, Inc.  
 Firm Registration No. F-754  
 710 Hester Crossing, Suite 150  
 Round Rock, Texas 78681



CAPITAL EXPRESS CENTRAL  
 I-35 TUNNEL  
 STA 195+50.00

SCALE: HORIZ: 1"=40'  
 VERT: 1"=40'

CONT	SECT	JOB	HIGHWAY
0015	13	433, ETC.	I-35
DIST COUNTY			SHEET NO.
AUS	TRAVIS		320



NO.	DATE	REVISION	APPR BY



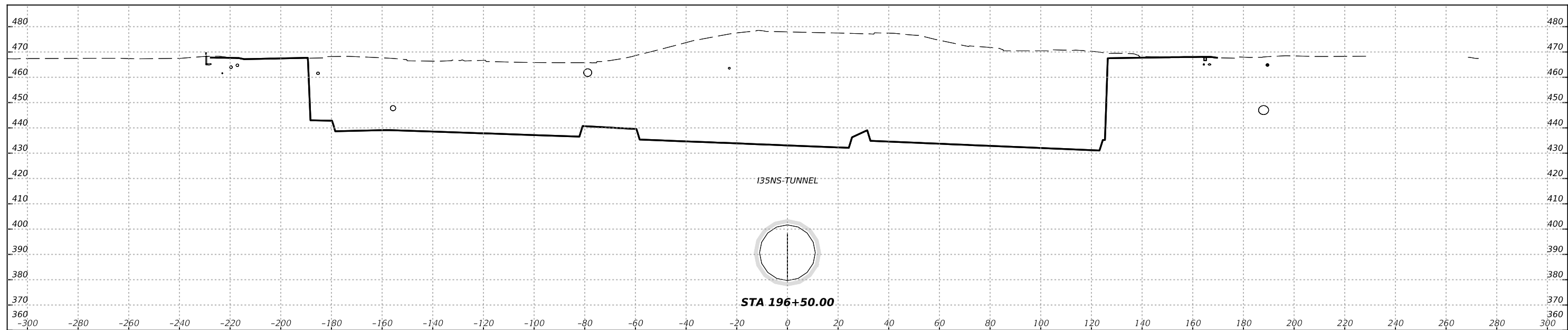
HDR Engineering, Inc.  
 Firm Registration No. F-754  
 710 Hester Crossing, Suite 150  
 Round Rock, Texas 78681



CAPITAL EXPRESS CENTRAL  
 I-35 TUNNEL  
 STA 196+00.00

SCALE: HORIZ: 1"=40'  
 VERT: 1"=40'

CONT	SECT	JOB	HIGHWAY
0015	13	433, ETC.	I-35
DIST	COUNTY		SHEET NO.
AUS	TRAVIS		321



NO.	DATE	REVISION	APPR BY



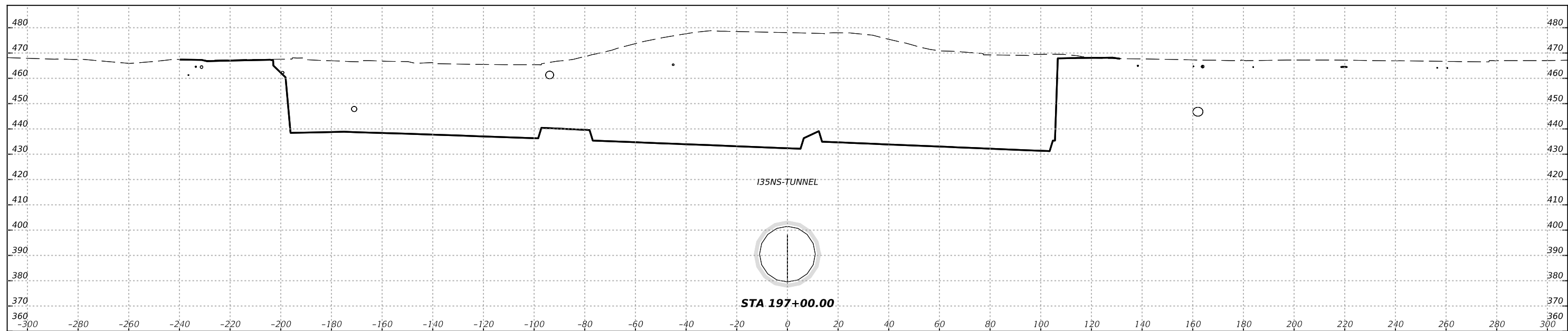
HDR Engineering, Inc.  
 Firm Registration No. F-754  
 710 Hester Crossing, Suite 150  
 Round Rock, Texas 78681



CAPITAL EXPRESS CENTRAL  
 I-35 TUNNEL  
 STA 196+50.00

SCALE: HORIZ: 1"=40'  
 VERT: 1"=40'

CONT	SECT	JOB	HIGHWAY
0015	13	433, ETC.	I-35
DIST COUNTY			SHEET NO.
AUS	TRAVIS		322



NO.	DATE	REVISION	APPR BY



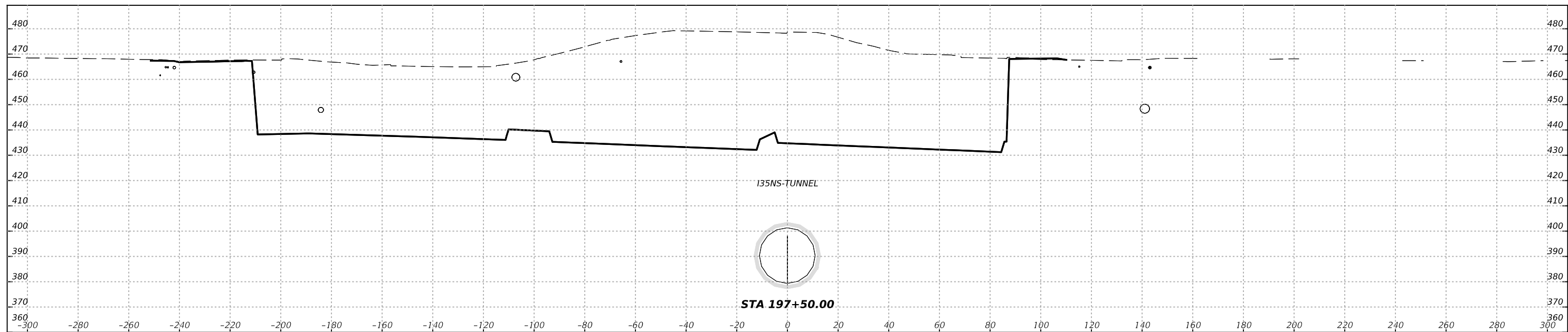
HDR Engineering, Inc.  
 Firm Registration No. F-754  
 710 Hester Crossing, Suite 150  
 Round Rock, Texas 78681



CAPITAL EXPRESS CENTRAL  
 I-35 TUNNEL  
 STA 197+00.00

SCALE: HORIZ: 1"=40'  
 VERT: 1"=40'

CONT	SECT	JOB	HIGHWAY
0015	13	433, ETC.	I-35
DIST	COUNTY		SHEET NO.
AUS	TRAVIS		323



NO.	DATE	REVISION	APPR BY



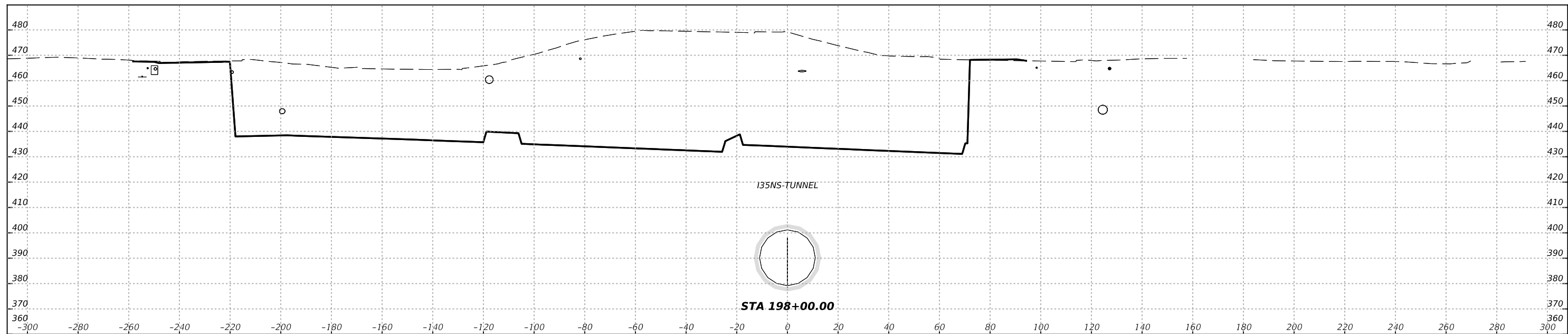
HDR Engineering, Inc.  
 Firm Registration No. F-754  
 710 Hester Crossing, Suite 150  
 Round Rock, Texas 78681



CAPITAL EXPRESS CENTRAL  
 I-35 TUNNEL  
 STA 197+50.00

SCALE: HORIZ: 1"=40'  
 VERT: 1"=40'

CONT	SECT	JOB	HIGHWAY
0015	13	433, ETC.	I-35
DIST	COUNTY		SHEET NO.
AUS	TRAVIS		324



NO.	DATE	REVISION	APPR BY



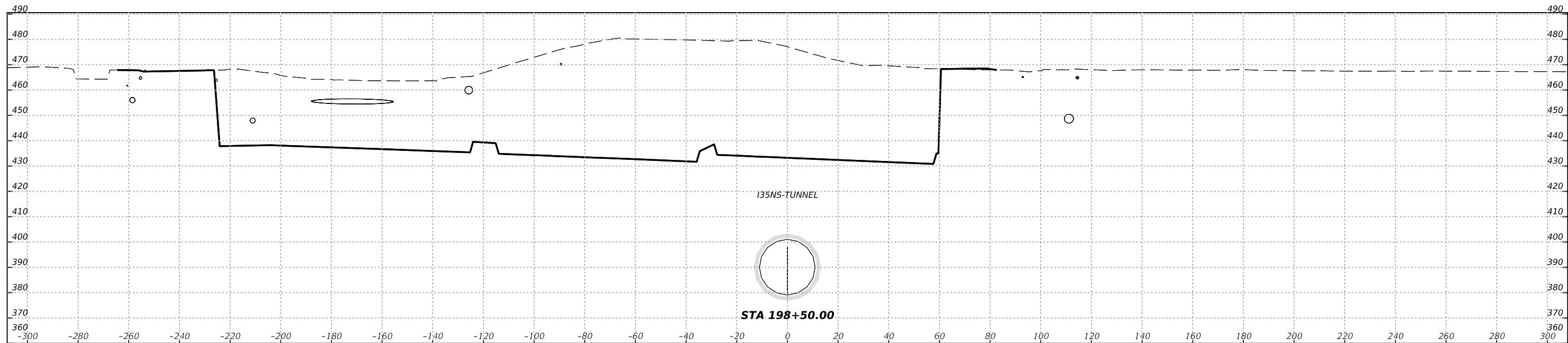
HDR Engineering, Inc.  
 Firm Registration No. F-754  
 710 Hester Crossing, Suite 150  
 Round Rock, Texas 78681



CAPITAL EXPRESS CENTRAL  
 I-35 TUNNEL  
 STA 198+00.00

SCALE: HORIZ: 1"=40'  
 VERT: 1"=40'

CONT	SECT	JOB	HIGHWAY
0015	13	433, ETC.	I-35
DIST COUNTY			SHEET NO.
AUS	TRAVIS		325



NO.	DATE	REVISION	APPR BY



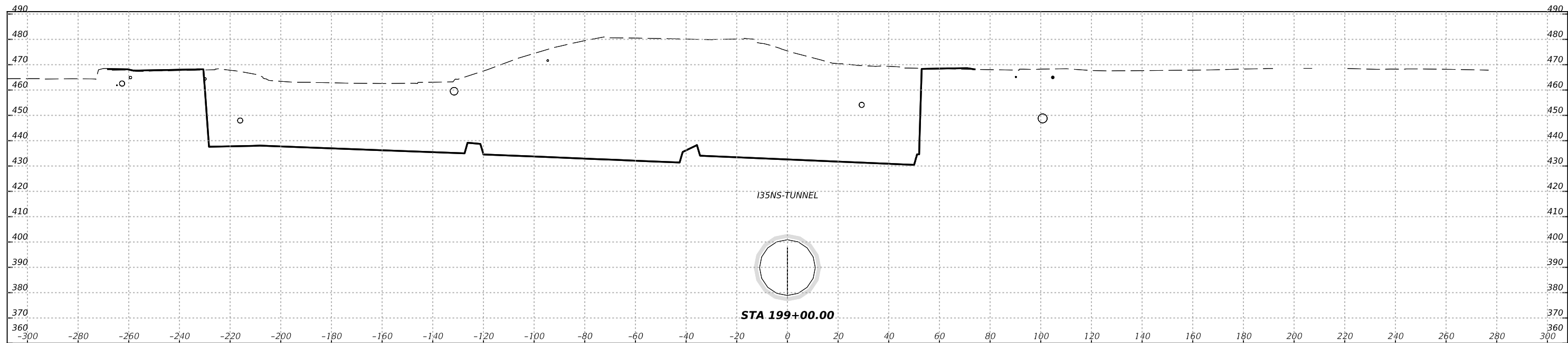
HDR Engineering, Inc.  
 Firm Registration No. F-754  
 710 Hester Crossing, Suite 150  
 Round Rock, Texas 78681



CAPITAL EXPRESS CENTRAL  
 I-35 TUNNEL  
 STA 198+50.00

SCALE: HORIZ: 1"=40'  
 VERT: 1"=40'

CONT	SECT	JOB	HIGHWAY
0015	13	433, ETC.	I-35
DIST	COUNTY		SHEET NO.
AUS	TRAVIS		326



NO.	DATE	REVISION	APPR BY



HDR Engineering, Inc.  
 Firm Registration No. F-754  
 710 Hester Crossing, Suite 150  
 Round Rock, Texas 78681

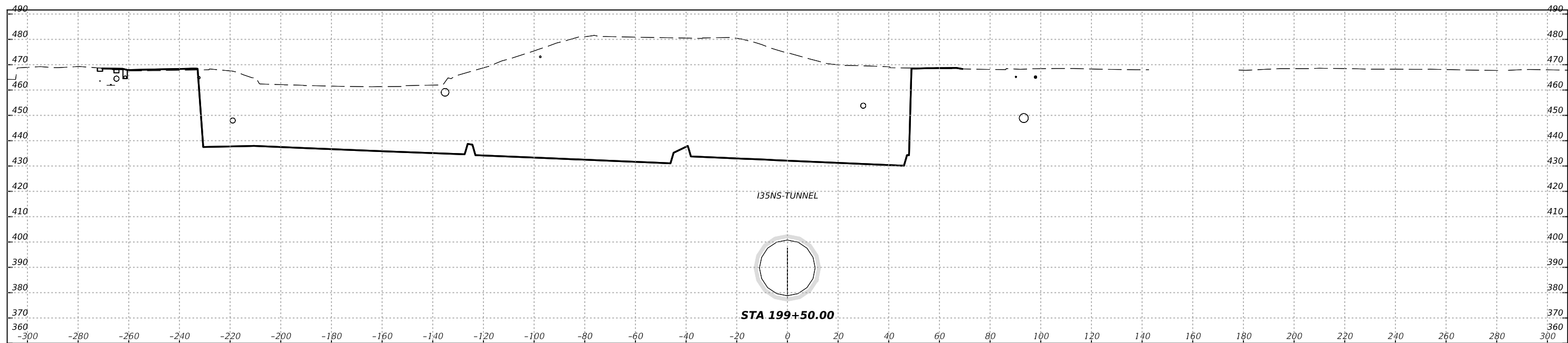


CAPITAL EXPRESS CENTRAL  
 I-35 TUNNEL  
 STA 199+00.00

SCALE: HORIZ: 1"=40'  
 VERT: 1"=40'

CONT	SECT	JOB	HIGHWAY
0015	13	433, ETC.	I-35
DIST	COUNTY		SHEET NO.
AUS	TRAVIS		327





NO.	DATE	REVISION	APPR BY



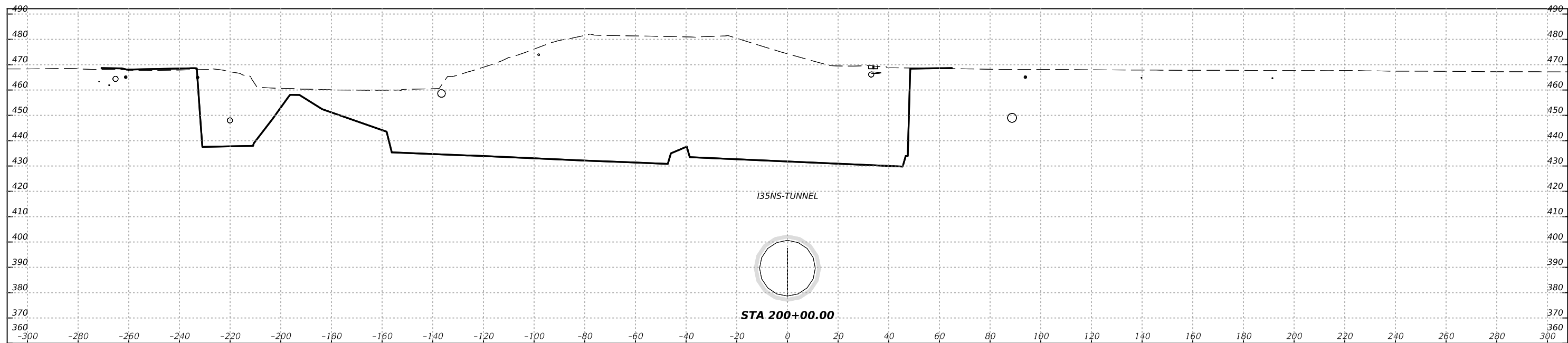
HDR Engineering, Inc.  
 Firm Registration No. F-754  
 710 Hester Crossing, Suite 150  
 Round Rock, Texas 78681



CAPITAL EXPRESS CENTRAL  
 I-35 TUNNEL  
 STA 199+50.00

SCALE: HORIZ: 1"=40'  
 VERT: 1"=40'

CONT	SECT	JOB	HIGHWAY
0015	13	433, ETC.	I-35
DIST	COUNTY		SHEET NO.
AUS	TRAVIS		328



NO.	DATE	REVISION	APPR BY



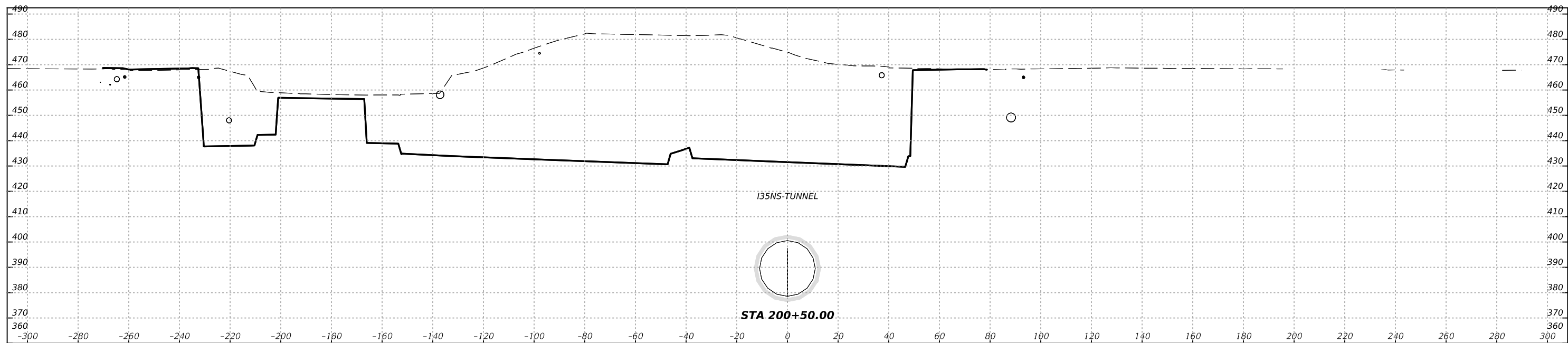
HDR Engineering, Inc.  
 Firm Registration No. F-754  
 710 Hester Crossing, Suite 150  
 Round Rock, Texas 78681



CAPITAL EXPRESS CENTRAL  
 I-35 TUNNEL  
 STA 200+00.00

SCALE: HORIZ: 1"=40'  
 VERT: 1"=40'

CONT	SECT	JOB	HIGHWAY
0015	13	433, ETC.	I-35
DIST COUNTY			SHEET NO.
AUS	TRAVIS		329



NO.	DATE	REVISION	APPR BY



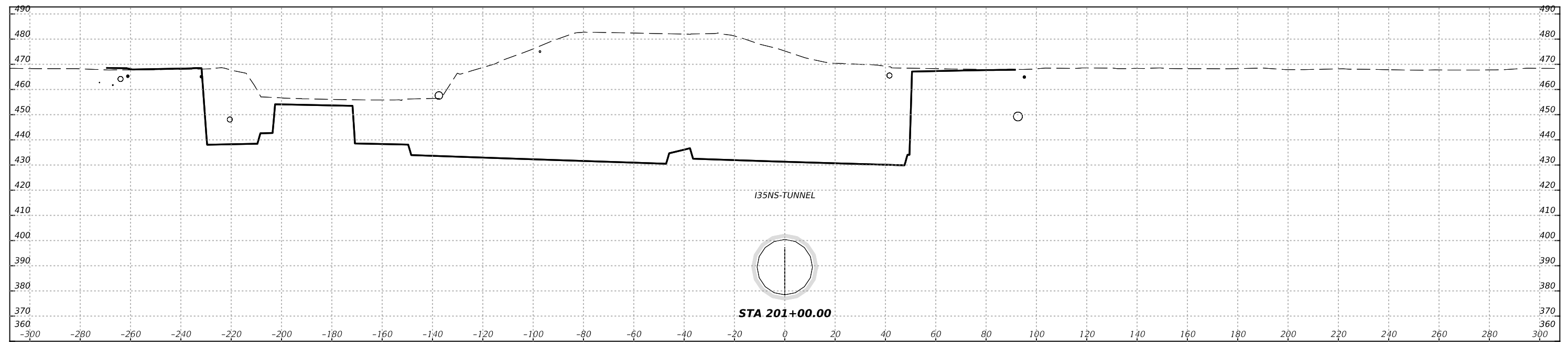
HDR Engineering, Inc.  
 Firm Registration No. F-754  
 710 Hester Crossing, Suite 150  
 Round Rock, Texas 78681



CAPITAL EXPRESS CENTRAL  
 I-35 TUNNEL  
 STA 200+50.00

SCALE: HORIZ: 1"=40'  
 VERT: 1"=40'

CONT	SECT	JOB	HIGHWAY
0015	13	433, ETC.	I-35
DIST	COUNTY		SHEET NO.
AUS	TRAVIS		330



NO.	DATE	REVISION	APPR BY



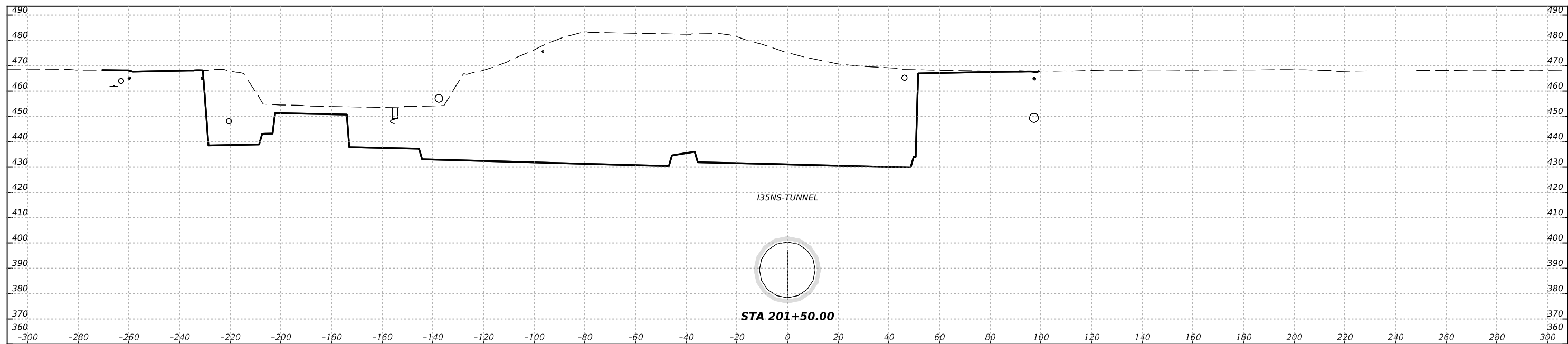
HDR Engineering, Inc.  
 Firm Registration No. F-754  
 710 Hester Crossing, Suite 150  
 Round Rock, Texas 78681



CAPITAL EXPRESS CENTRAL  
 I-35 TUNNEL  
 STA 201+00.00

SCALE: HORIZ: 1"=40'  
 VERT: 1"=40'

CONT	SECT	JOB	HIGHWAY
0015	13	433, ETC.	I-35
DIST	COUNTY		SHEET NO.
AUS	TRAVIS		331



NO.	DATE	REVISION	APPR BY



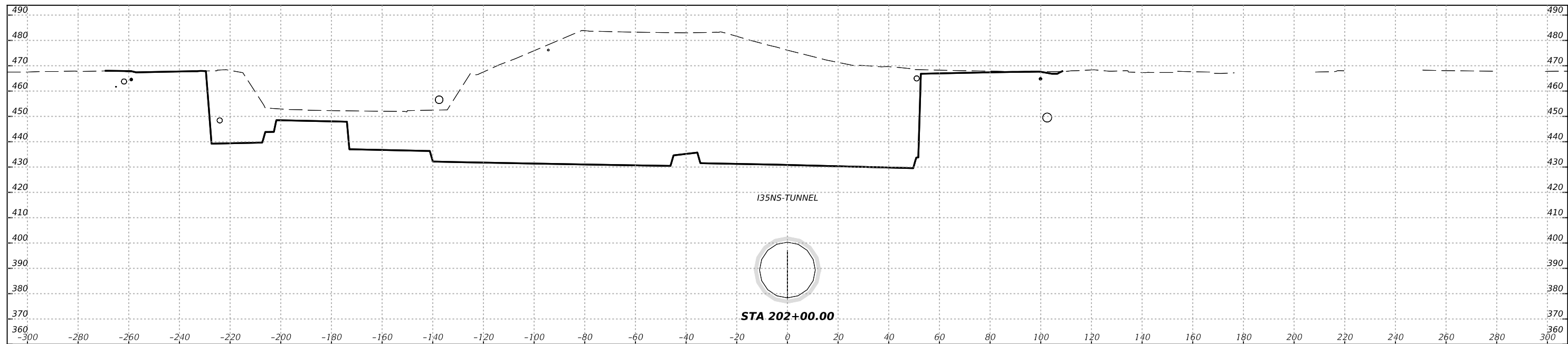
HDR Engineering, Inc.  
 Firm Registration No. F-754  
 710 Hester Crossing, Suite 150  
 Round Rock, Texas 78681



CAPITAL EXPRESS CENTRAL  
 I-35 TUNNEL  
 STA 201+50.00

SCALE: HORIZ: 1"=40'  
 VERT: 1"=40'

CONT	SECT	JOB	HIGHWAY
0015	13	433, ETC.	I-35
DIST COUNTY			SHEET NO.
AUS	TRAVIS		332



NO.	DATE	REVISION	APPR BY



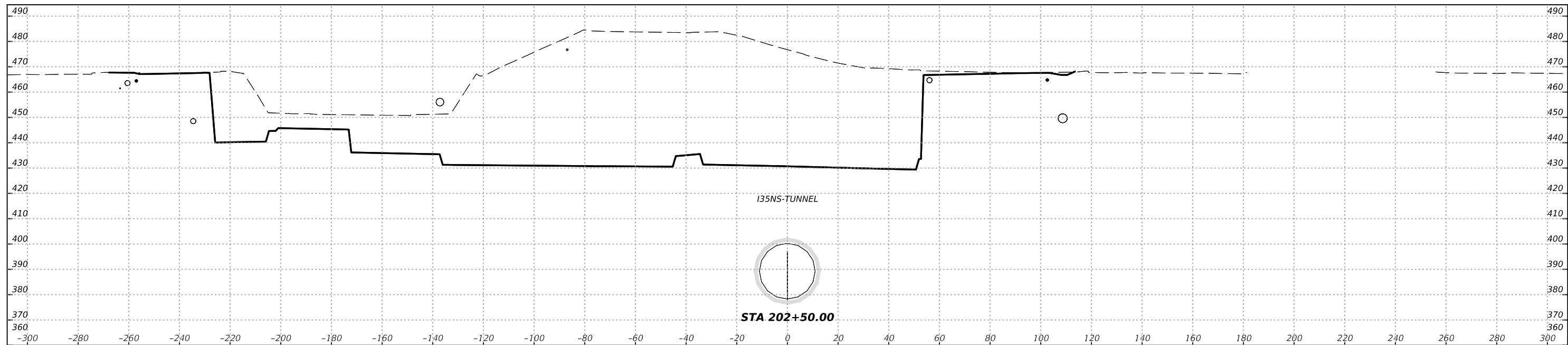
HDR Engineering, Inc.  
Firm Registration No. F-754  
710 Hester Crossing, Suite 150  
Round Rock, Texas 78681



**CAPITAL EXPRESS CENTRAL**  
**☉ I-35 TUNNEL**  
**STA 202+00.00**

SCALE: HORIZ: 1"=40'  
VERT: 1"=40'

CONT	SECT	JOB	HIGHWAY
0015	13	433, ETC.	I-35
DIST COUNTY			SHEET NO.
AUS	TRAVIS		333



NO.	DATE	REVISION	APPR BY



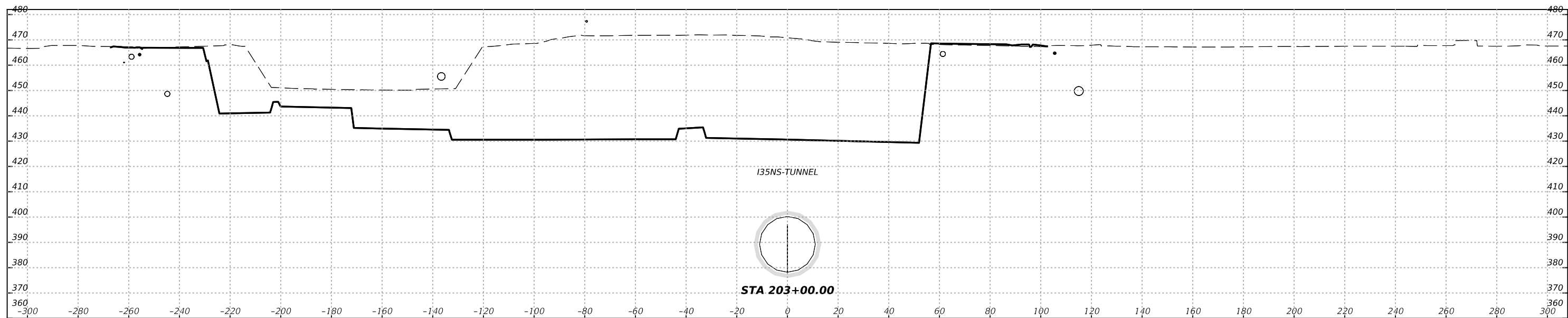
HDR Engineering, Inc.  
Firm Registration No. F-754  
710 Hester Crossing, Suite 150  
Round Rock, Texas 78681



**CAPITAL EXPRESS CENTRAL**  
**☉ I-35 TUNNEL**  
**STA 202+50.00**

SCALE: HORIZ: 1"=40'  
VERT: 1"=40'

CONT	SECT	JOB	HIGHWAY
0015	13	433, ETC.	I-35
DIST	COUNTY		SHEET NO.
AUS	TRAVIS		334



NO.	DATE	REVISION	APPR BY



HDR Engineering, Inc.  
 Firm Registration No. F-754  
 710 Hester Crossing, Suite 150  
 Round Rock, Texas 78681



CAPITAL EXPRESS CENTRAL  
 I-35 TUNNEL  
 STA 203+00.00

SCALE: HORIZ: 1"=40'  
 VERT: 1"=40'

CONT	SECT	JOB	HIGHWAY
0015	13	433, ETC.	I-35
DIST	COUNTY		SHEET NO.
AUS	TRAVIS		335





NO.	DATE	REVISION	APPR BY



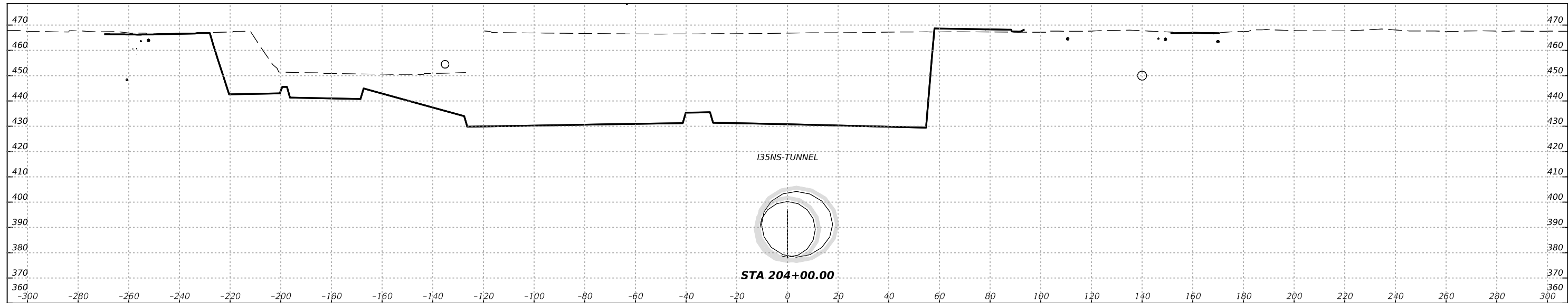
HDR Engineering, Inc.  
 Firm Registration No. F-754  
 710 Hester Crossing, Suite 150  
 Round Rock, Texas 78681



CAPITAL EXPRESS CENTRAL  
 I-35 TUNNEL  
 STA 203+50.00

SCALE: HORIZ: 1"=40'  
 VERT: 1"=40'

CONT	SECT	JOB	HIGHWAY
0015	13	433, ETC.	I-35
DIST	COUNTY		SHEET NO.
AUS	TRAVIS		336



NO.	DATE	REVISION	APPR BY



HDR Engineering, Inc.  
 Firm Registration No. F-754  
 710 Hester Crossing, Suite 150  
 Round Rock, Texas 78681

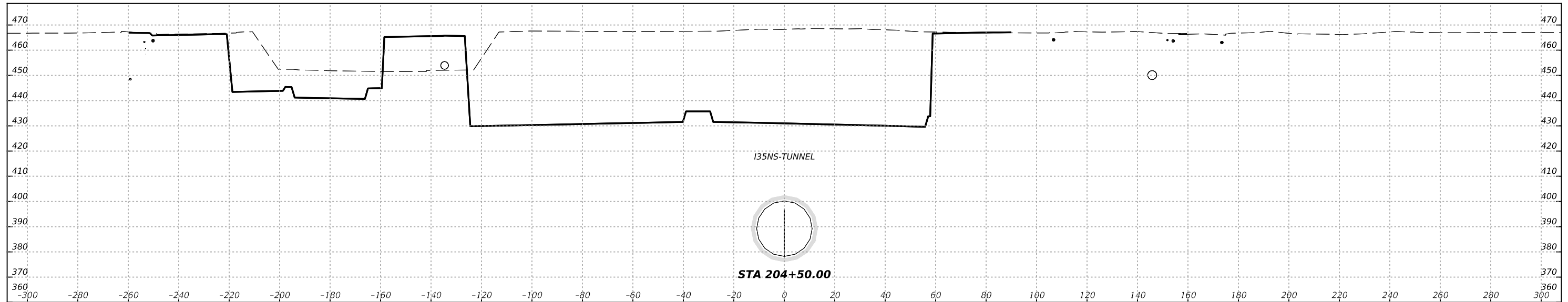


CAPITAL EXPRESS CENTRAL  
 I-35 TUNNEL  
 STA 204+00.00

SCALE: HORIZ: 1"=40'  
 VERT: 1"=40'

CONT	SECT	JOB	HIGHWAY
0015	13	433, ETC.	I-35
DIST	COUNTY	SHEET NO.	
AUS	TRAVIS	337	

DN: ACF CK: DW: JD



I35NS-TUNNEL

STA 204+50.00

NO.	DATE	REVISION	APPR BY



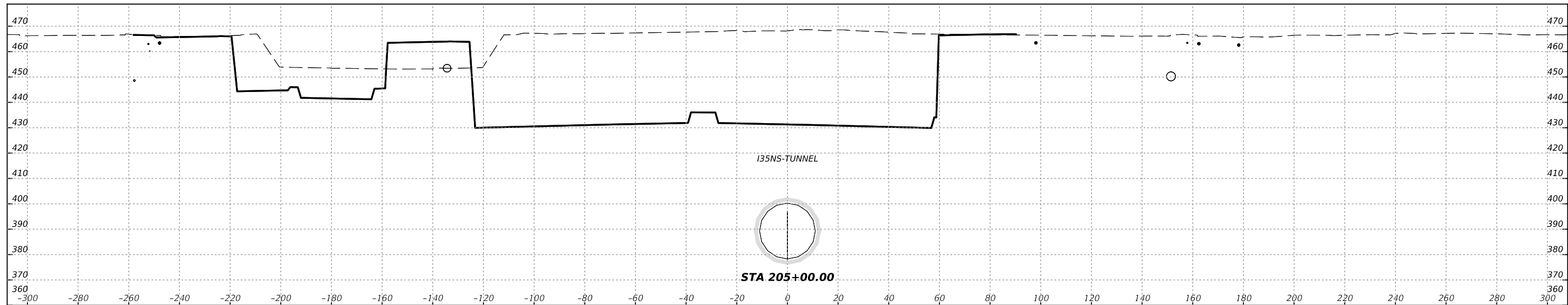
HDR Engineering, Inc.  
 Firm Registration No. F-754  
 710 Hester Crossing, Suite 150  
 Round Rock, Texas 78681



CAPITAL EXPRESS CENTRAL  
 I-35 TUNNEL  
 STA 204+50.00

SCALE: HORIZ: 1"=40'  
 VERT: 1"=40'

CONT	SECT	JOB	HIGHWAY
0015	13	433, ETC.	I-35
DIST COUNTY			SHEET NO.
AUS	TRAVIS		338



NO.	DATE	REVISION	APPR BY



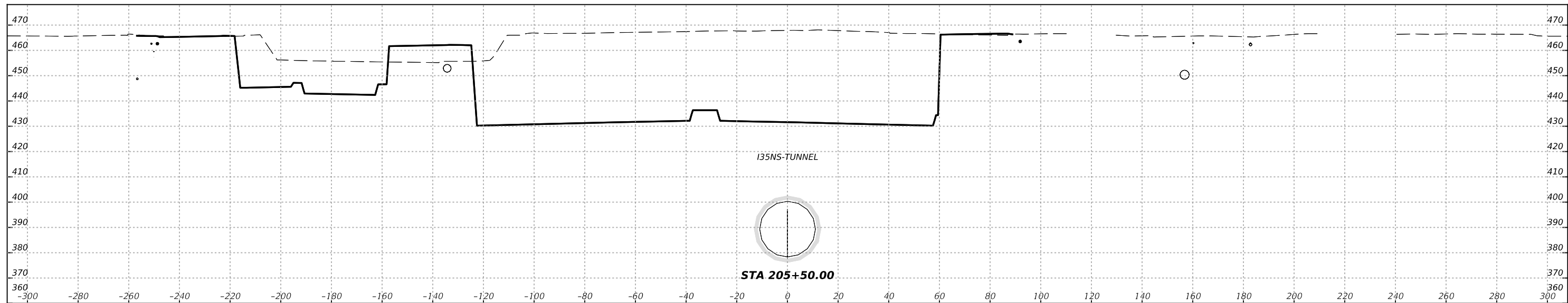
HDR Engineering, Inc.  
 Firm Registration No. F-754  
 710 Hester Crossing, Suite 150  
 Round Rock, Texas 78681



**CAPITAL EXPRESS CENTRAL**  
 I-35 TUNNEL  
 STA 205+00.00

SCALE: HORIZ: 1"=40'  
 VERT: 1"=40'

CONT	SECT	JOB	HIGHWAY
0015	13	433, ETC.	I-35
DIST	COUNTY		SHEET NO.
AUS	TRAVIS		339



NO.	DATE	REVISION	APPR BY



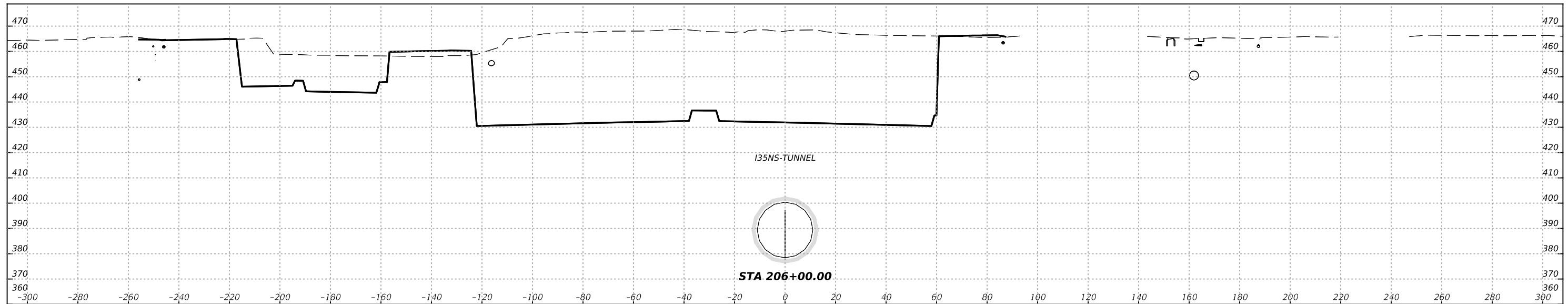
HDR Engineering, Inc.  
 Firm Registration No. F-754  
 710 Hester Crossing, Suite 150  
 Round Rock, Texas 78681



CAPITAL EXPRESS CENTRAL  
 I-35 TUNNEL  
 STA 205+50.00

SCALE: HORIZ: 1"=40'  
 VERT: 1"=40'

CONT	SECT	JOB	HIGHWAY
0015	13	433, ETC.	I-35
DIST	COUNTY		SHEET NO.
AUS	TRAVIS		340



NO.	DATE	REVISION	APPR BY



HDR Engineering, Inc.  
 Firm Registration No. F-754  
 710 Hester Crossing, Suite 150  
 Round Rock, Texas 78681



CAPITAL EXPRESS CENTRAL  
 I-35 TUNNEL  
 STA 206+00.00

SCALE: HORIZ: 1"=40'  
 VERT: 1"=40'

CONT	SECT	JOB	HIGHWAY
0015	13	433, ETC.	I-35
DIST COUNTY			SHEET NO.
AUS	TRAVIS		341



NO.	DATE	REVISION	APPR BY



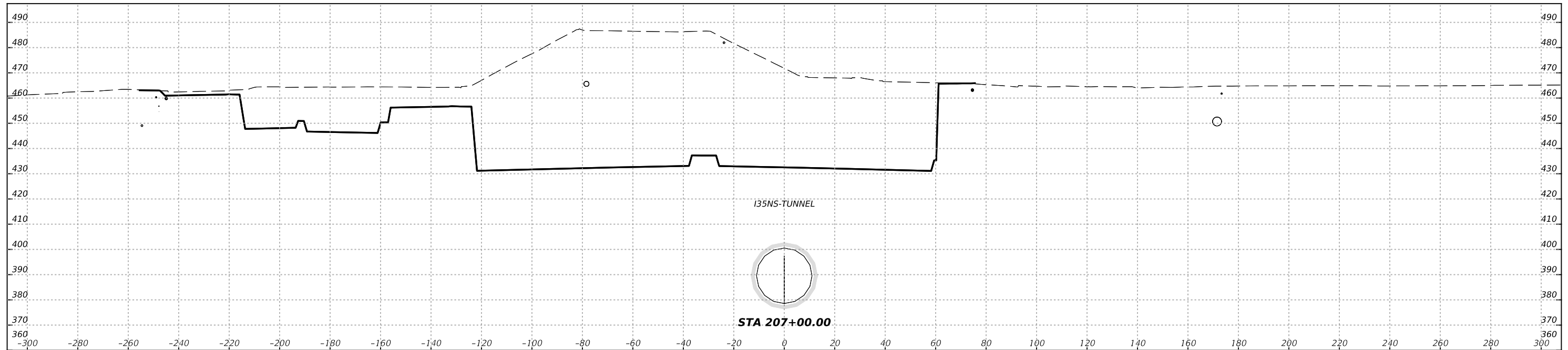
HDR Engineering, Inc.  
 Firm Registration No. F-754  
 710 Hester Crossing, Suite 150  
 Round Rock, Texas 78681



CAPITAL EXPRESS CENTRAL  
 I-35 TUNNEL  
 STA 206+50.00

SCALE: HORIZ: 1"=40'  
 VERT: 1"=40'

CONT	SECT	JOB	HIGHWAY
0015	13	433, ETC.	I-35
DIST COUNTY			SHEET NO.
AUS	TRAVIS		342



NO.	DATE	REVISION	APPR BY



HDR Engineering, Inc.  
 Firm Registration No. F-754  
 710 Hester Crossing, Suite 150  
 Round Rock, Texas 78681

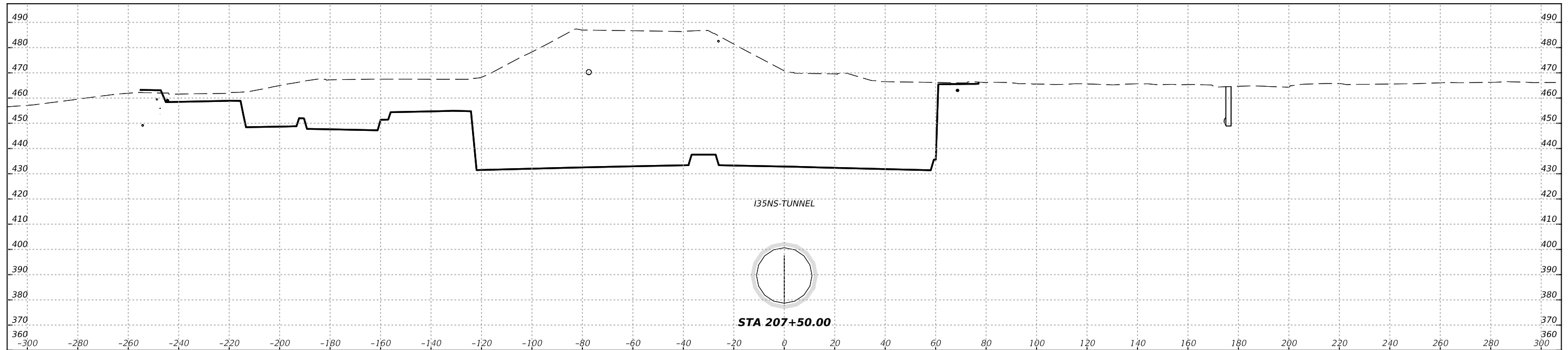


CAPITAL EXPRESS CENTRAL  
 I-35 TUNNEL  
 STA 207+00.00

SCALE: HORIZ: 1"=40'  
 VERT: 1"=40'

CONT	SECT	JOB	HIGHWAY
0015	13	433, ETC.	I-35
DIST COUNTY			SHEET NO.
AUS	TRAVIS		343





NO.	DATE	REVISION	APPR BY



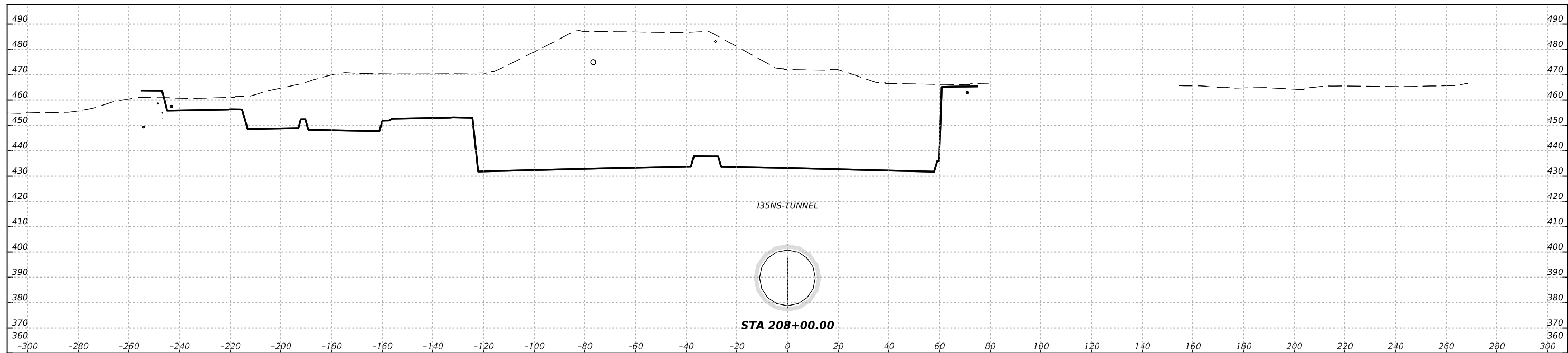
HDR Engineering, Inc.  
 Firm Registration No. F-754  
 710 Hester Crossing, Suite 150  
 Round Rock, Texas 78681



CAPITAL EXPRESS CENTRAL  
 I-35 TUNNEL  
 STA 207+50.00

SCALE: HORIZ: 1"=40'  
 VERT: 1"=40'

CONT	SECT	JOB	HIGHWAY
0015	13	433, ETC.	I-35
DIST	COUNTY		SHEET NO.
AUS	TRAVIS		344



NO.	DATE	REVISION	APPR BY



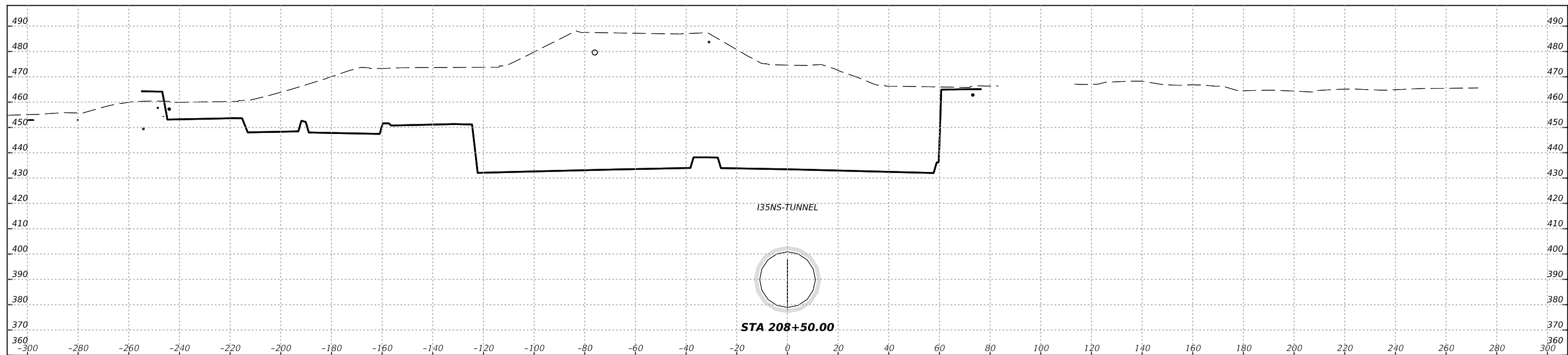
HDR Engineering, Inc.  
 Firm Registration No. F-754  
 710 Hester Crossing, Suite 150  
 Round Rock, Texas 78681



CAPITAL EXPRESS CENTRAL  
 I-35 TUNNEL  
 STA 208+00.00

SCALE: HORIZ: 1"=40'  
 VERT: 1"=40'

CONT	SECT	JOB	HIGHWAY
0015	13	433, ETC.	I-35
DIST	COUNTY		SHEET NO.
AUS	TRAVIS		345



NO.	DATE	REVISION	APPR BY



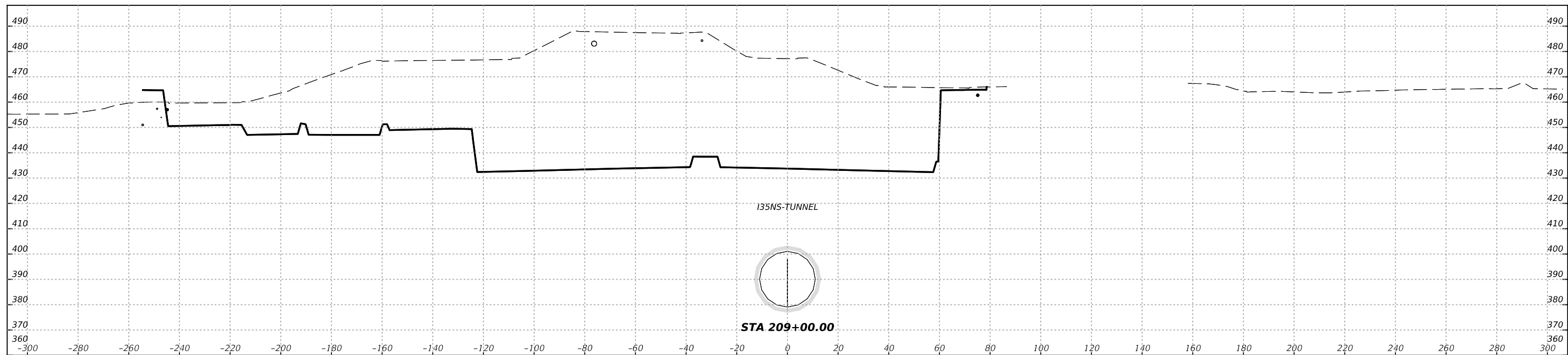
HDR Engineering, Inc.  
 Firm Registration No. F-754  
 710 Hester Crossing, Suite 150  
 Round Rock, Texas 78681



**CAPITAL EXPRESS CENTRAL**  
 I-35 TUNNEL  
 STA 208+50.00

SCALE: HORIZ: 1"=40'  
 VERT: 1"=40'

CONT	SECT	JOB	HIGHWAY
0015	13	433, ETC.	I-35
DIST	COUNTY		SHEET NO.
AUS	TRAVIS		346



NO.	DATE	REVISION	APPR BY



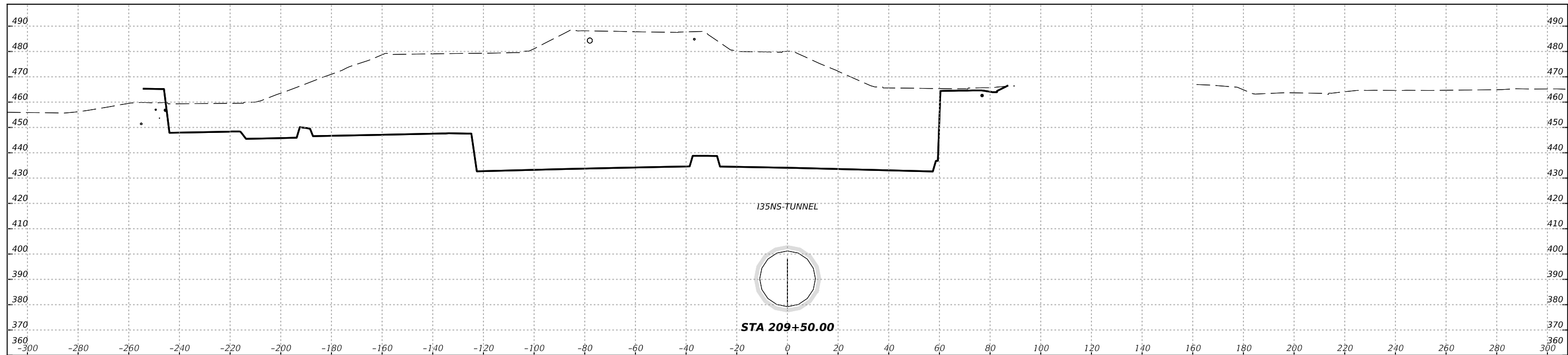
HDR Engineering, Inc.  
 Firm Registration No. F-754  
 710 Hester Crossing, Suite 150  
 Round Rock, Texas 78681



CAPITAL EXPRESS CENTRAL  
 I-35 TUNNEL  
 STA 209+00.00

SCALE: HORIZ: 1"=40'  
 VERT: 1"=40'

CONT	SECT	JOB	HIGHWAY
0015	13	433, ETC.	I-35
DIST	COUNTY		SHEET NO.
AUS	TRAVIS		347



NO.	DATE	REVISION	APPR BY



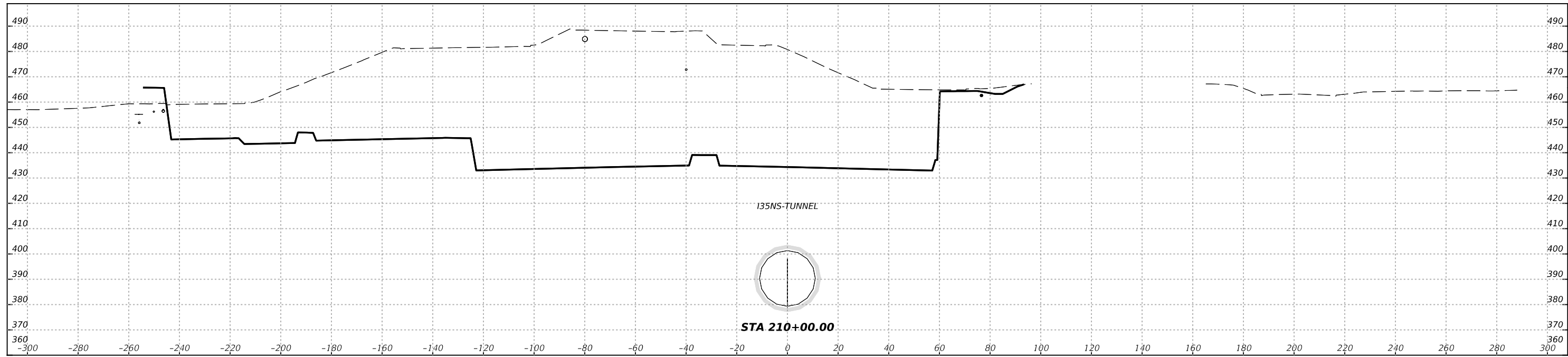
HDR Engineering, Inc.  
 Firm Registration No. F-754  
 710 Hester Crossing, Suite 150  
 Round Rock, Texas 78681



CAPITAL EXPRESS CENTRAL  
 I-35 TUNNEL  
 STA 209+50.00

SCALE: HORIZ: 1"=40'  
 VERT: 1"=40'

CONT	SECT	JOB	HIGHWAY
0015	13	433, ETC.	I-35
DIST COUNTY			SHEET NO.
AUS	TRAVIS		348



NO.	DATE	REVISION	APPR BY



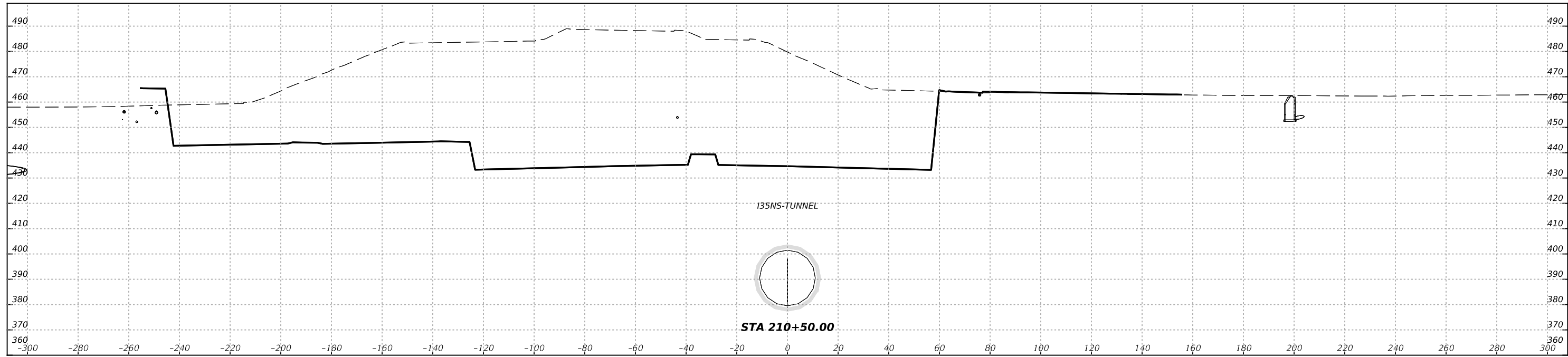
HDR Engineering, Inc.  
 Firm Registration No. F-754  
 710 Hester Crossing, Suite 150  
 Round Rock, Texas 78681



CAPITAL EXPRESS CENTRAL  
 I-35 TUNNEL  
 STA 210+00.00

SCALE: HORIZ: 1"=40'  
 VERT: 1"=40'

CONT	SECT	JOB	HIGHWAY
0015	13	433, ETC.	I-35
DIST COUNTY			SHEET NO.
AUS	TRAVIS		349



NO.	DATE	REVISION	APPR BY



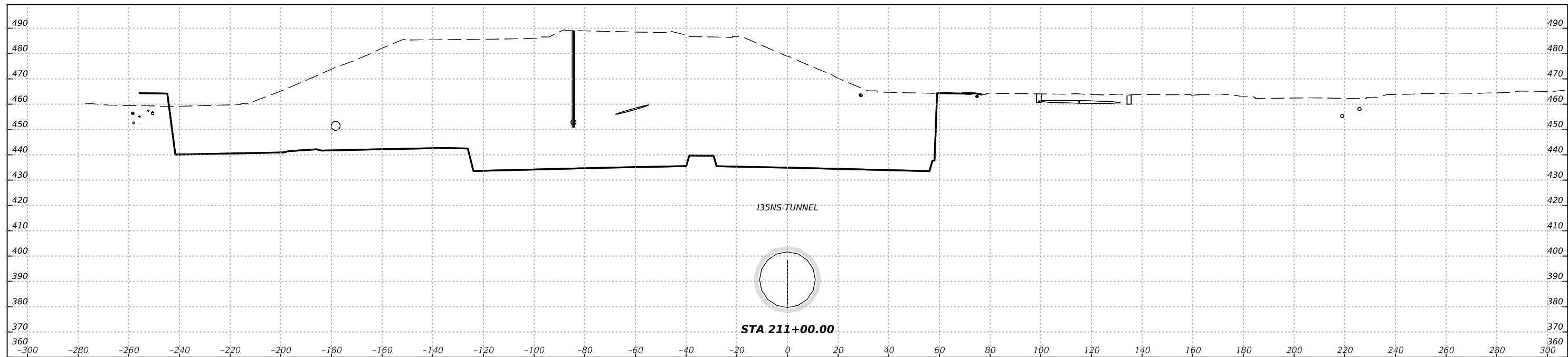
HDR Engineering, Inc.  
 Firm Registration No. F-754  
 710 Hester Crossing, Suite 150  
 Round Rock, Texas 78681



CAPITAL EXPRESS CENTRAL  
 I-35 TUNNEL  
 STA 210+50.00

SCALE: HORIZ: 1"=40'  
 VERT: 1"=40'

CONT	SECT	JOB	HIGHWAY
0015	13	433, ETC.	I-35
DIST COUNTY			SHEET NO.
AUS	TRAVIS		350



NO.	DATE	REVISION	APPR BY



HDR Engineering, Inc.  
 Firm Registration No. F-754  
 710 Hester Crossing, Suite 150  
 Round Rock, Texas 78681

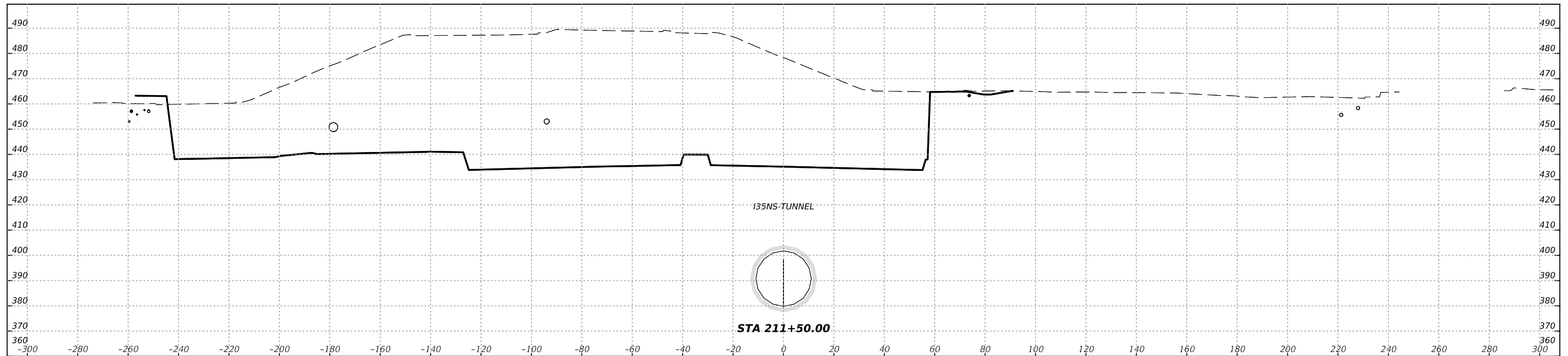


**CAPITAL EXPRESS CENTRAL**  
 I-35 TUNNEL  
 STA 211+00.00

SCALE: HORIZ: 1"=40'  
 VERT: 1"=40'

CONT	SECT	JOB	HIGHWAY
0015	13	433, ETC.	I-35
DIST COUNTY			SHEET NO.
AUS	TRAVIS		351





NO.	DATE	REVISION	APPR BY



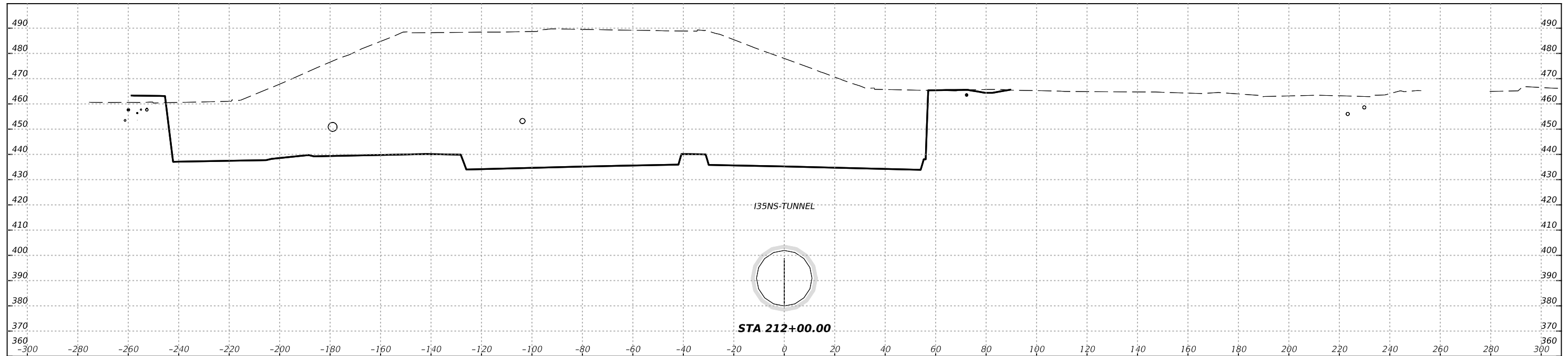
HDR Engineering, Inc.  
 Firm Registration No. F-754  
 710 Hester Crossing, Suite 150  
 Round Rock, Texas 78681



CAPITAL EXPRESS CENTRAL  
 I-35 TUNNEL  
 STA 211+50.00

SCALE: HORIZ: 1"=40'  
 VERT: 1"=40'

CONT	SECT	JOB	HIGHWAY
0015	13	433, ETC.	I-35
DIST	COUNTY		SHEET NO.
AUS	TRAVIS		352



NO.	DATE	REVISION	APPR BY



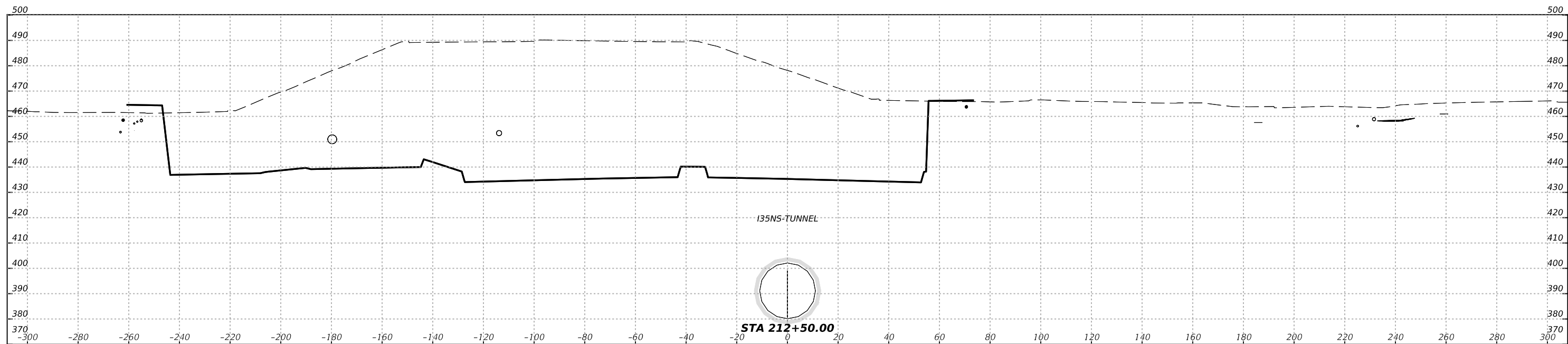
HDR Engineering, Inc.  
 Firm Registration No. F-754  
 710 Hester Crossing, Suite 150  
 Round Rock, Texas 78681



CAPITAL EXPRESS CENTRAL  
 I-35 TUNNEL  
 STA 212+00.00

SCALE: HORIZ: 1"=40'  
 VERT: 1"=40'

CONT	SECT	JOB	HIGHWAY
0015	13	433, ETC.	I-35
DIST COUNTY			SHEET NO.
AUS	TRAVIS		353



NO.	DATE	REVISION	APPR BY



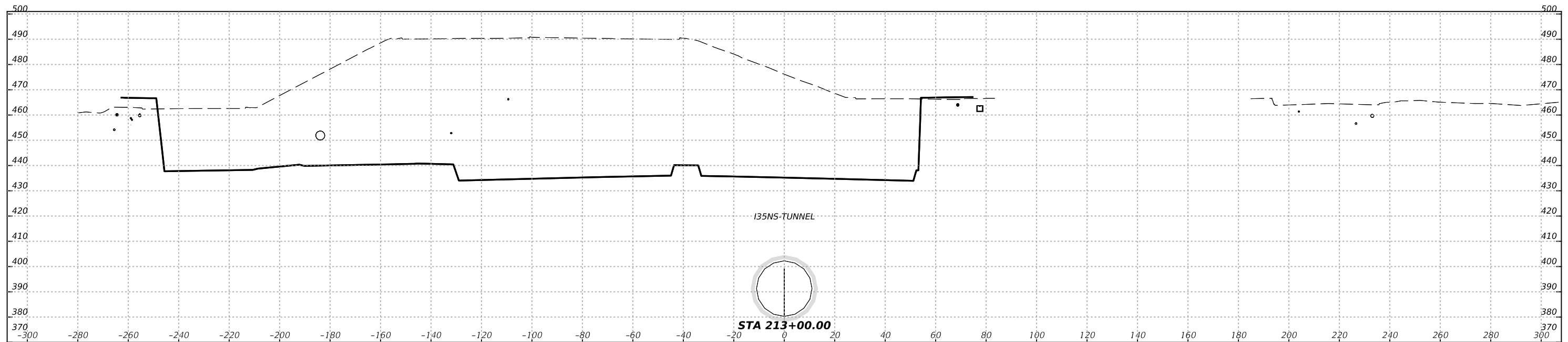
HDR Engineering, Inc.  
 Firm Registration No. F-754  
 710 Hester Crossing, Suite 150  
 Round Rock, Texas 78681



CAPITAL EXPRESS CENTRAL  
 I-35 TUNNEL  
 STA 212+50.00

SCALE: HORIZ: 1"=40'  
 VERT: 1"=40'

CONT	SECT	JOB	HIGHWAY
0015	13	433, ETC.	I-35
DIST COUNTY			SHEET NO.
AUS	TRAVIS		354



NO.	DATE	REVISION	APPR BY



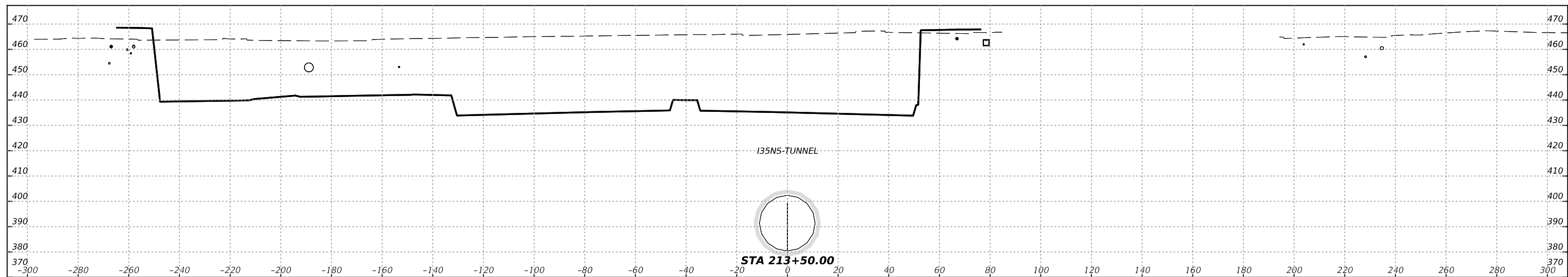
HDR Engineering, Inc.  
 Firm Registration No. F-754  
 710 Hester Crossing, Suite 150  
 Round Rock, Texas 78681



CAPITAL EXPRESS CENTRAL  
 I-35 TUNNEL  
 STA 213+00.00

SCALE: HORIZ: 1"=40'  
 VERT: 1"=40'

CONT	SECT	JOB	HIGHWAY
0015	13	433, ETC.	I-35
DIST	COUNTY		SHEET NO.
AUS	TRAVIS		355



NO.	DATE	REVISION	APPR BY



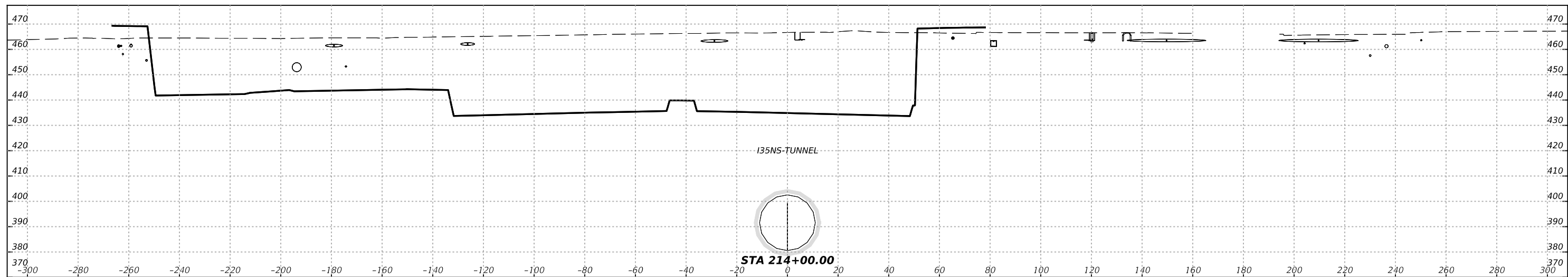
HDR Engineering, Inc.  
 Firm Registration No. F-754  
 710 Hester Crossing, Suite 150  
 Round Rock, Texas 78681



CAPITAL EXPRESS CENTRAL  
 I-35 TUNNEL  
 STA 213+50.00

SCALE: HORIZ: 1"=40'  
 VERT: 1"=40'

CONT	SECT	JOB	HIGHWAY
0015	13	433, ETC.	I-35
DIST	COUNTY		SHEET NO.
AUS	TRAVIS		356



NO.	DATE	REVISION	APPR BY



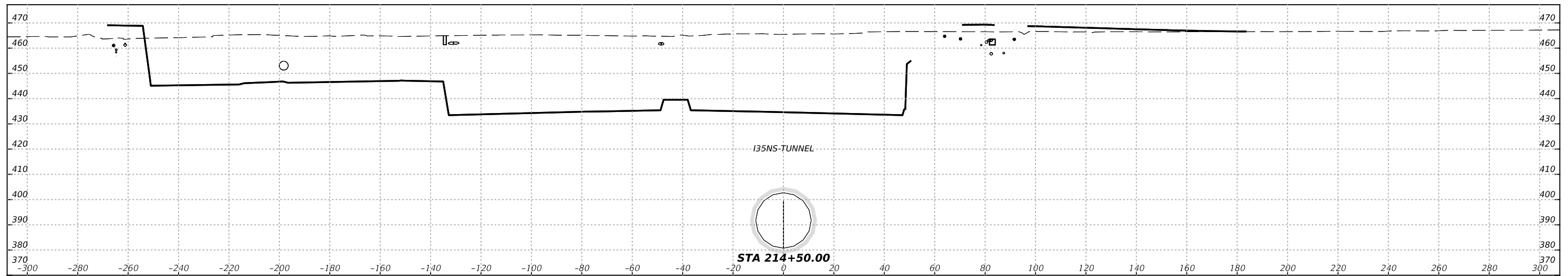
HDR Engineering, Inc.  
 Firm Registration No. F-754  
 710 Hester Crossing, Suite 150  
 Round Rock, Texas 78681



CAPITAL EXPRESS CENTRAL  
 I-35 TUNNEL  
 STA 214+00.00

SCALE: HORIZ: 1"=40'  
 VERT: 1"=40'

CONT	SECT	JOB	HIGHWAY
0015	13	433, ETC.	I-35
DIST	COUNTY		SHEET NO.
AUS	TRAVIS		357



NO.	DATE	REVISION	APPR BY



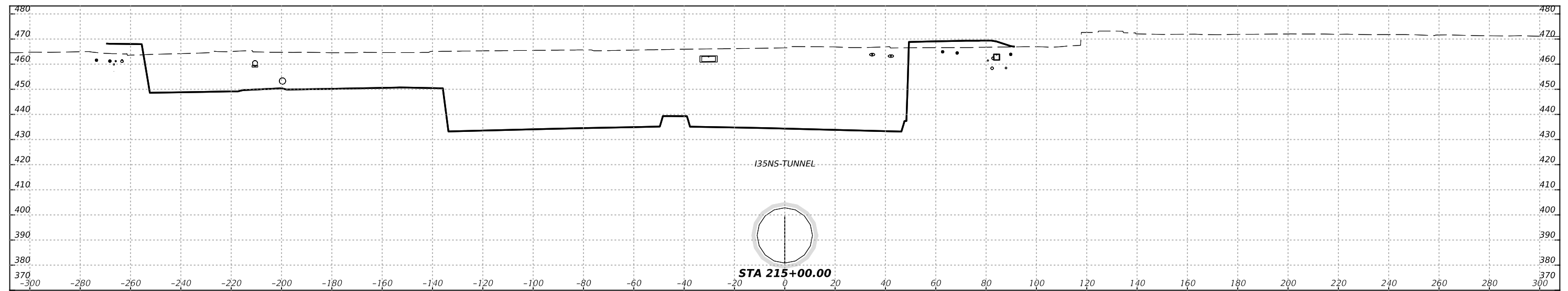
HDR Engineering, Inc.  
 Firm Registration No. F-754  
 710 Hester Crossing, Suite 150  
 Round Rock, Texas 78681



CAPITAL EXPRESS CENTRAL  
 I-35 TUNNEL  
 STA 214+50.00

SCALE: HORIZ: 1"=40'  
 VERT: 1"=40'

CONT	SECT	JOB	HIGHWAY
0015	13	433, ETC.	I-35
DIST			SHEET NO.
AUS	TRAVIS		358



NO.	DATE	REVISION	APPR BY



HDR Engineering, Inc.  
 Firm Registration No. F-754  
 710 Hester Crossing, Suite 150  
 Round Rock, Texas 78681

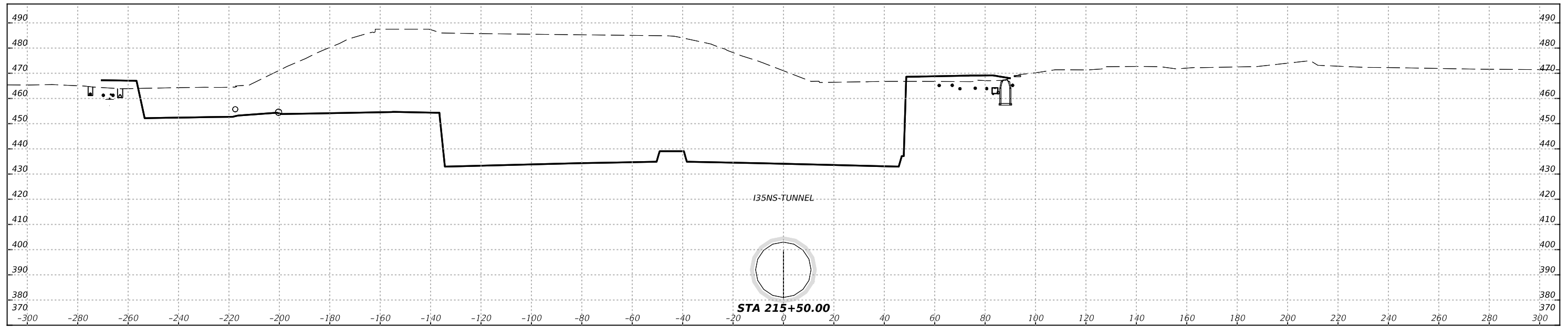


CAPITAL EXPRESS CENTRAL  
 I-35 TUNNEL  
 STA 215+00.00

SCALE: HORIZ: 1"=40'  
 VERT: 1"=40'

CONT	SECT	JOB	HIGHWAY
0015	13	433, ETC.	I-35
DIST			SHEET NO.
AUS	TRAVIS		359





NO.	DATE	REVISION	APPR BY



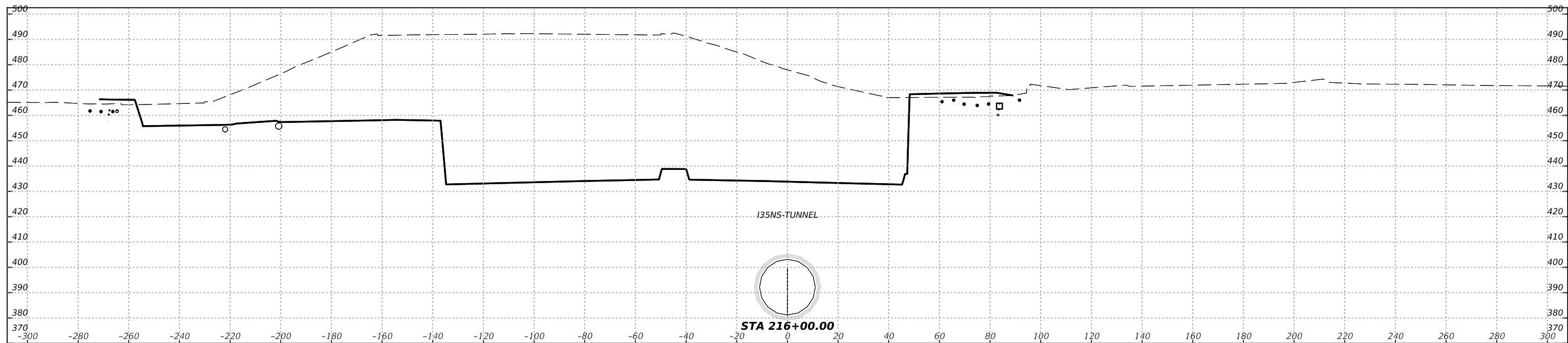
HDR Engineering, Inc.  
 Firm Registration No. F-754  
 710 Hester Crossing, Suite 150  
 Round Rock, Texas 78681



CAPITAL EXPRESS CENTRAL  
 I-35 TUNNEL  
 STA 215+50.00

SCALE: HORIZ: 1"=40'  
 VERT: 1"=40'

CONT	SECT	JOB	HIGHWAY
0015	13	433, ETC.	I-35
DIST	COUNTY		SHEET NO.
AUS	TRAVIS		360



NO.	DATE	REVISION	APPR BY



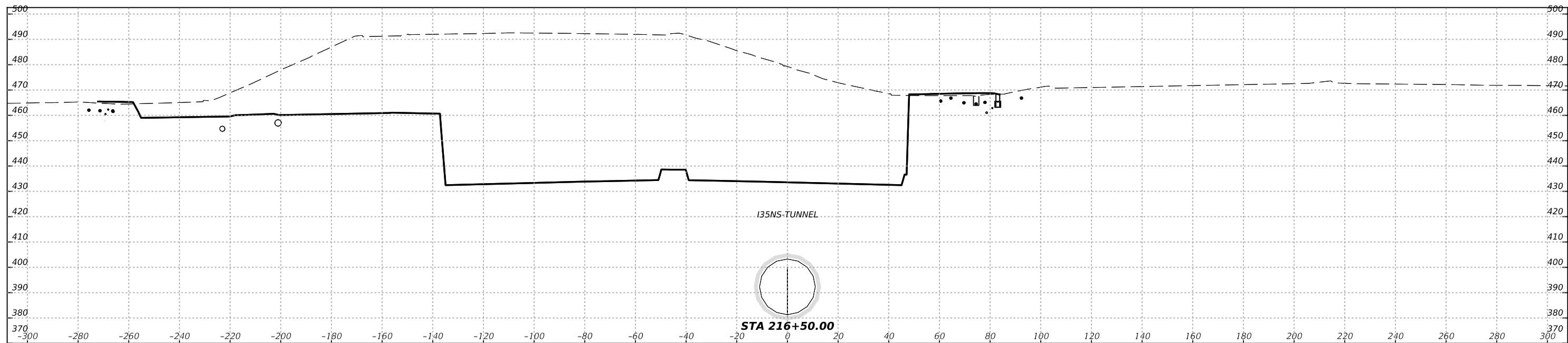
HDR Engineering, Inc.  
 Firm Registration No. F-754  
 710 Hester Crossing, Suite 150  
 Round Rock, Texas 78681



CAPITAL EXPRESS CENTRAL  
 I-35 TUNNEL  
 STA 216+00.00

SCALE: HORIZ: 1"=40'  
 VERT: 1"=40'

CONT	SECT	JOB	HIGHWAY
0015	13	433, ETC.	I-35
DIST	COUNTY		SHEET NO.
AUS	TRAVIS		361



NO.	DATE	REVISION	APPR BY



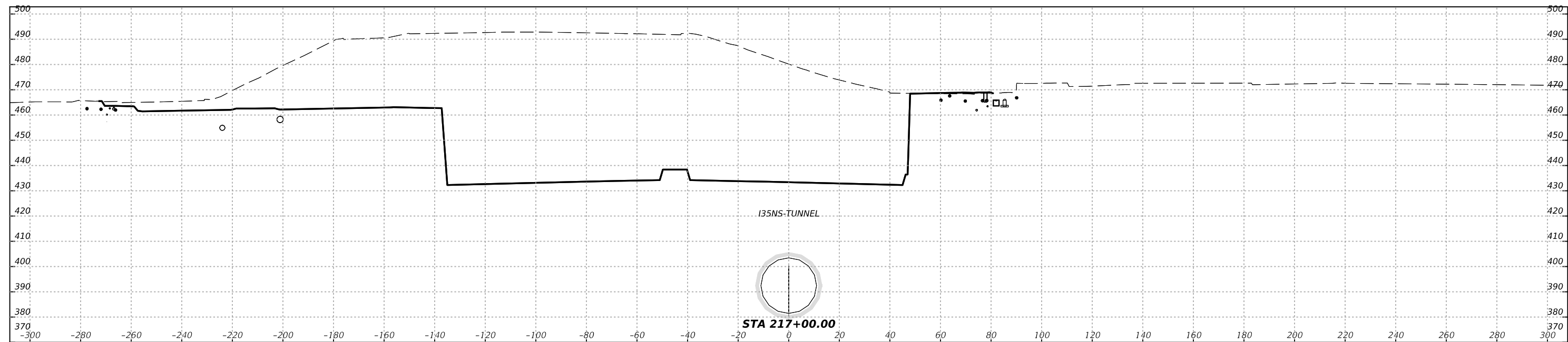
HDR Engineering, Inc.  
 Firm Registration No. F-754  
 710 Hester Crossing, Suite 150  
 Round Rock, Texas 78681



CAPITAL EXPRESS CENTRAL  
 I-35 TUNNEL  
 STA 216+50.00

SCALE: HORIZ: 1"=40'  
 VERT: 1"=40'

CONT	SECT	JOB	HIGHWAY
0015	13	433, ETC.	I-35
DIST COUNTY			SHEET NO.
AUS	TRAVIS		362



NO.	DATE	REVISION	APPR BY



HDR Engineering, Inc.  
 Firm Registration No. F-754  
 710 Hester Crossing, Suite 150  
 Round Rock, Texas 78681



CAPITAL EXPRESS CENTRAL  
 I-35 TUNNEL  
 STA 217+00.00

SCALE: HORIZ: 1"=40'  
 VERT: 1"=40'

CONT	SECT	JOB	HIGHWAY
0015	13	433, ETC.	I-35
DIST	COUNTY		SHEET NO.
AUS	TRAVIS		363



NO.	DATE	REVISION	APPR BY



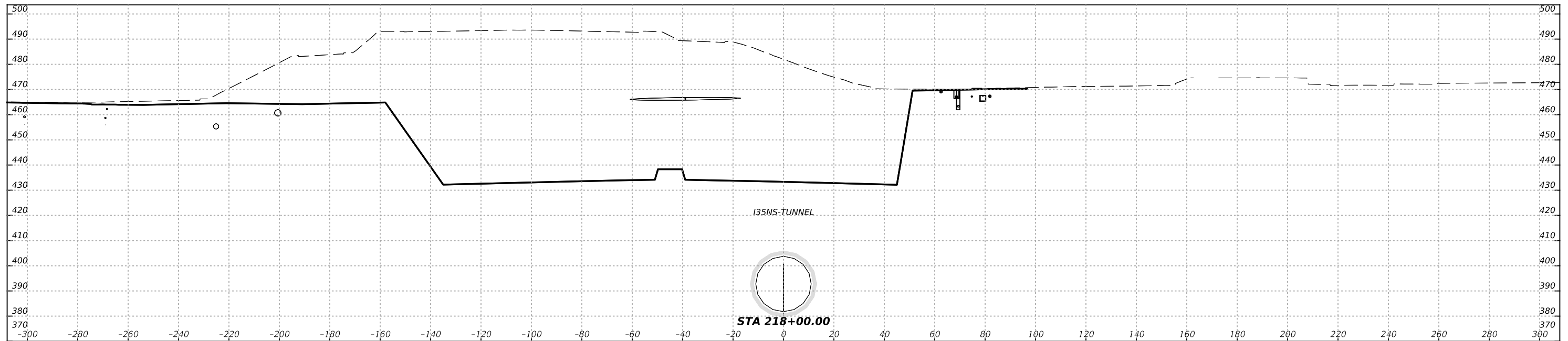
HDR Engineering, Inc.  
 Firm Registration No. F-754  
 710 Hester Crossing, Suite 150  
 Round Rock, Texas 78681



**CAPITAL EXPRESS CENTRAL**  
 I-35 TUNNEL  
 STA 217+50.00

SCALE: HORIZ: 1"=40'  
 VERT: 1"=40'

CONT	SECT	JOB	HIGHWAY
0015	13	433, ETC.	I-35
DIST COUNTY			SHEET NO.
AUS	TRAVIS		364



NO.	DATE	REVISION	APPR BY



HDR Engineering, Inc.  
 Firm Registration No. F-754  
 710 Hester Crossing, Suite 150  
 Round Rock, Texas 78681



CAPITAL EXPRESS CENTRAL  
 I-35 TUNNEL  
 STA 218+00.00

SCALE: HORIZ: 1"=40'  
 VERT: 1"=40'

CONT	SECT	JOB	HIGHWAY
0015	13	433, ETC.	I-35
DIST COUNTY			SHEET NO.
AUS	TRAVIS		365



NO.	DATE	REVISION	APPR BY



HDR Engineering, Inc.  
 Firm Registration No. F-754  
 710 Hester Crossing, Suite 150  
 Round Rock, Texas 78681



CAPITAL EXPRESS CENTRAL  
 I-35 TUNNEL  
 STA 218+50.00

SCALE: HORIZ: 1"=40'  
 VERT: 1"=40'

CONT	SECT	JOB	HIGHWAY
0015	13	433, ETC.	I-35
DIST	COUNTY		SHEET NO.
AUS	TRAVIS		366



NO.	DATE	REVISION	APPR BY



HDR Engineering, Inc.  
 Firm Registration No. F-754  
 710 Hester Crossing, Suite 150  
 Round Rock, Texas 78681



CAPITAL EXPRESS CENTRAL  
 I-35 TUNNEL  
 STA 219+00.00

SCALE: HORIZ: 1"=40'  
 VERT: 1"=40'

CONT	SECT	JOB	HIGHWAY
0015	13	433, ETC.	I-35
DIST	COUNTY		SHEET NO.
AUS	TRAVIS		367





NO.	DATE	REVISION	APPR BY



HDR Engineering, Inc.  
 Firm Registration No. F-754  
 710 Hester Crossing, Suite 150  
 Round Rock, Texas 78681



CAPITAL EXPRESS CENTRAL  
 I-35 TUNNEL  
 STA 219+50.00

SCALE: HORIZ: 1"=40'  
 VERT: 1"=40'

CONT	SECT	JOB	HIGHWAY
0015	13	433, ETC.	I-35
DIST COUNTY			SHEET NO.
AUS	TRAVIS		368



NO.	DATE	REVISION	APPR BY



HDR Engineering, Inc.  
 Firm Registration No. F-754  
 710 Hester Crossing, Suite 150  
 Round Rock, Texas 78681



CAPITAL EXPRESS CENTRAL  
 I-35 TUNNEL  
 STA 220+00.00

SCALE: HORIZ: 1"=40'  
 VERT: 1"=40'

CONT	SECT	JOB	HIGHWAY
0015	13	433, ETC.	I-35
DIST COUNTY			SHEET NO.
AUS	TRAVIS		369



NO.	DATE	REVISION	APPR BY



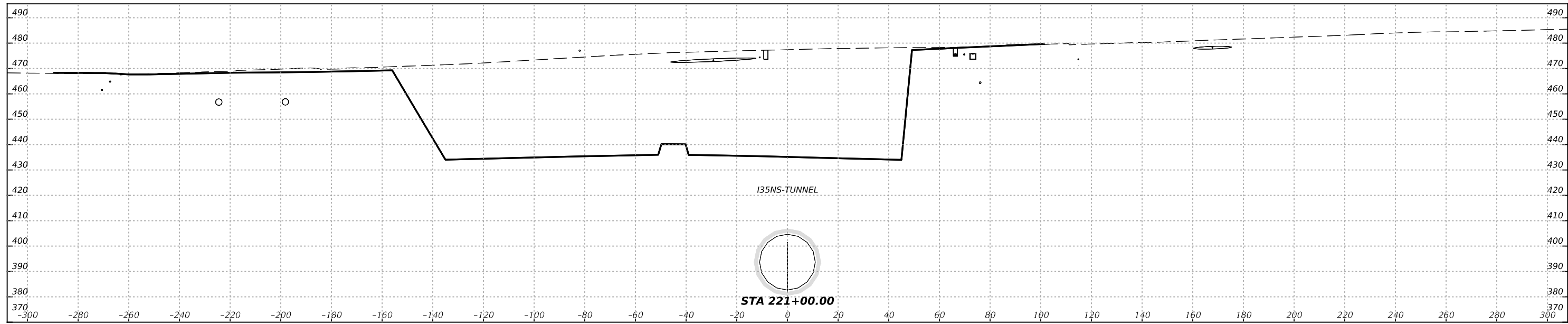
HDR Engineering, Inc.  
 Firm Registration No. F-754  
 710 Hester Crossing, Suite 150  
 Round Rock, Texas 78681



CAPITAL EXPRESS CENTRAL  
 I-35 TUNNEL  
 STA 220+50.00

SCALE: HORIZ: 1"=40'  
 VERT: 1"=40'

CONT	SECT	JOB	HIGHWAY
0015	13	433, ETC.	I-35
DIST	COUNTY		SHEET NO.
AUS	TRAVIS		370



NO.	DATE	REVISION	APPR BY



HDR Engineering, Inc.  
 Firm Registration No. F-754  
 710 Hester Crossing, Suite 150  
 Round Rock, Texas 78681



CAPITAL EXPRESS CENTRAL  
 I-35 TUNNEL  
 STA 221+00.00

SCALE: HORIZ: 1"=40'  
 VERT: 1"=40'

CONT	SECT	JOB	HIGHWAY
0015	13	433, ETC.	I-35
DIST	COUNTY		SHEET NO.
AUS	TRAVIS		371



NO.	DATE	REVISION	APPR BY



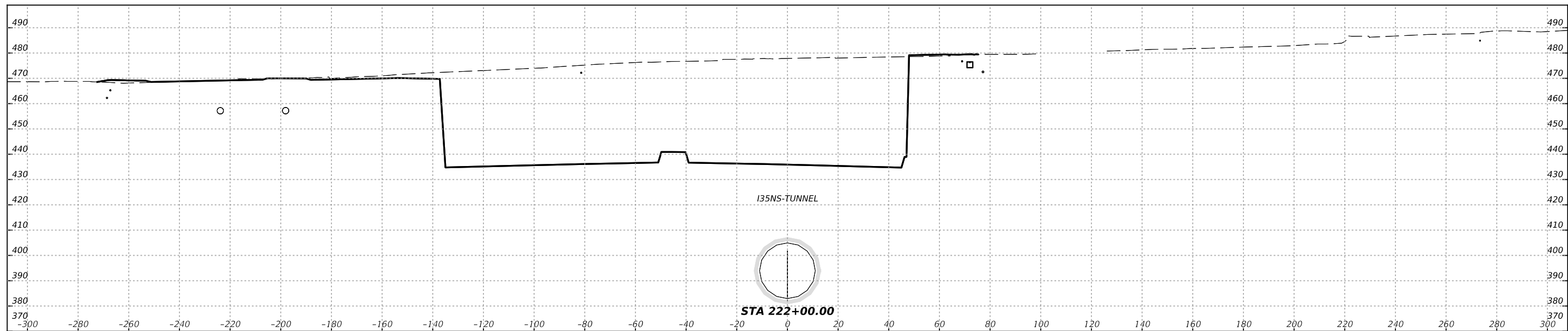
HDR Engineering, Inc.  
 Firm Registration No. F-754  
 710 Hester Crossing, Suite 150  
 Round Rock, Texas 78681



CAPITAL EXPRESS CENTRAL  
 I-35 TUNNEL  
 STA 221+50.00

SCALE: HORIZ: 1"=40'  
 VERT: 1"=40'

CONT	SECT	JOB	HIGHWAY
0015	13	433, ETC.	I-35
DIST	COUNTY		SHEET NO.
AUS	TRAVIS		372



NO.	DATE	REVISION	APPR BY



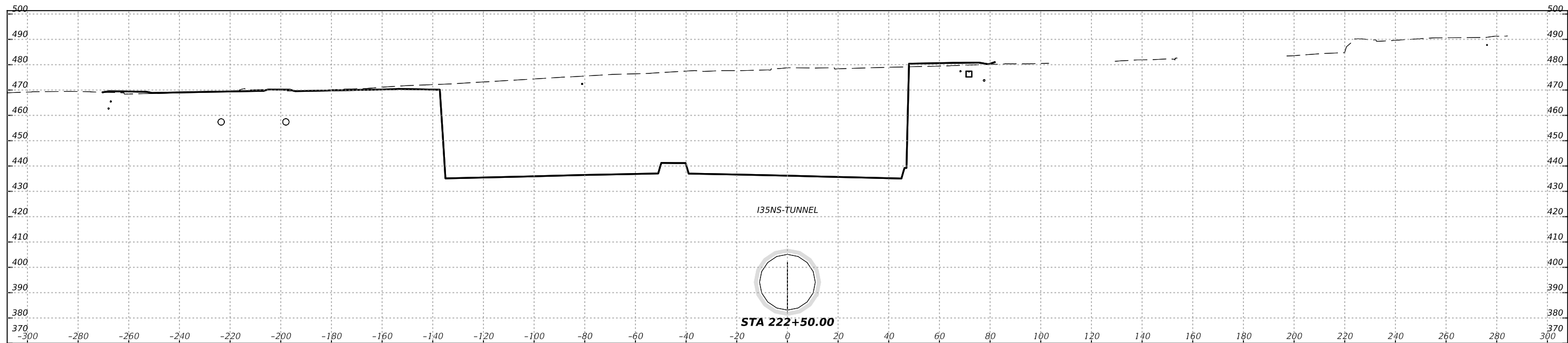
HDR Engineering, Inc.  
 Firm Registration No. F-754  
 710 Hester Crossing, Suite 150  
 Round Rock, Texas 78681



**CAPITAL EXPRESS CENTRAL**  
 I-35 TUNNEL  
 STA 222+00.00

SCALE: HORIZ: 1"=40'  
 VERT: 1"=40'

CONT	SECT	JOB	HIGHWAY
0015	13	433, ETC.	I-35
DIST COUNTY			SHEET NO.
AUS	TRAVIS		373



NO.	DATE	REVISION	APPR BY



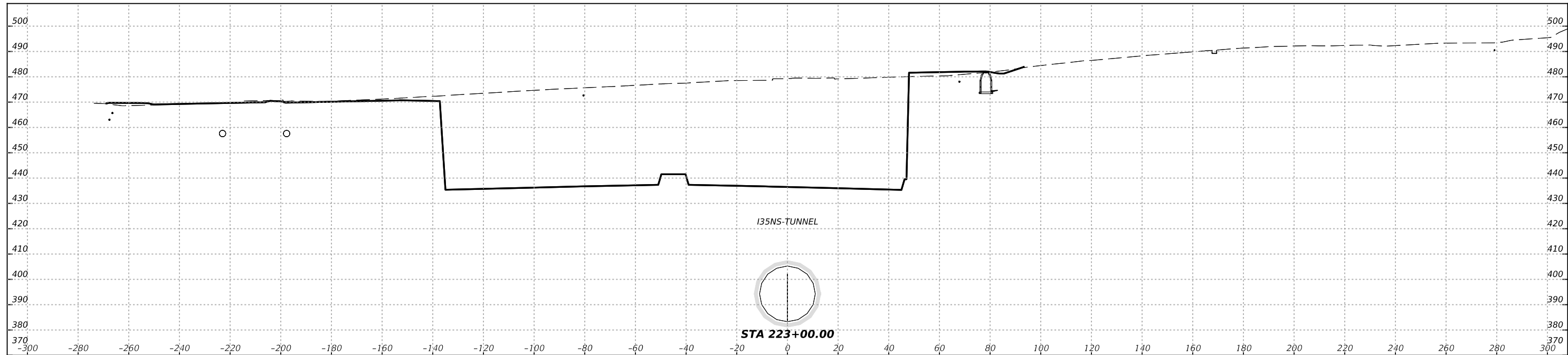
HDR Engineering, Inc.  
 Firm Registration No. F-754  
 710 Hester Crossing, Suite 150  
 Round Rock, Texas 78681



CAPITAL EXPRESS CENTRAL  
 I-35 TUNNEL  
 STA 222+50.00

SCALE: HORIZ: 1"=40'  
 VERT: 1"=40'

CONT	SECT	JOB	HIGHWAY
0015	13	433, ETC.	I-35
DIST COUNTY			SHEET NO.
AUS	TRAVIS		374



NO.	DATE	REVISION	APPR BY



HDR Engineering, Inc.  
 Firm Registration No. F-754  
 710 Hester Crossing, Suite 150  
 Round Rock, Texas 78681

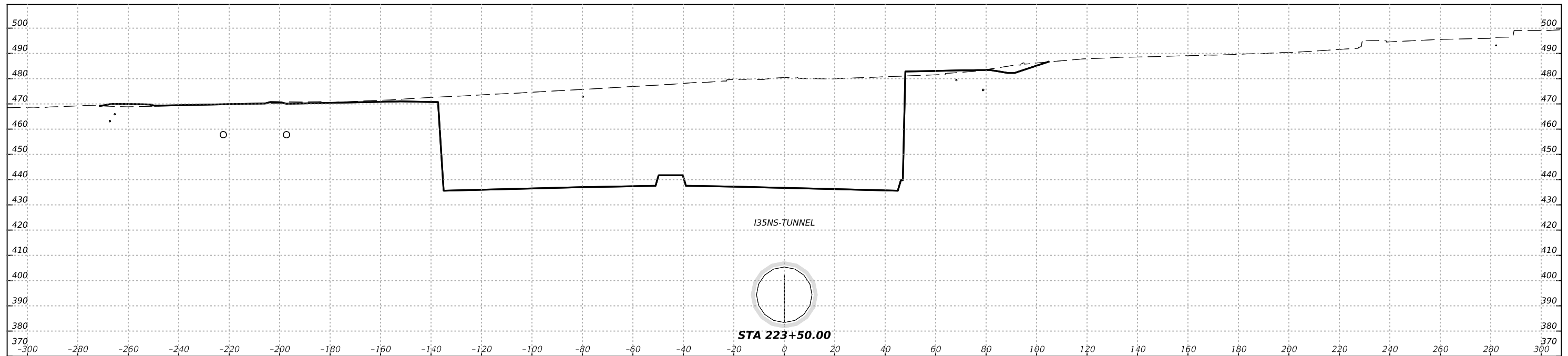


CAPITAL EXPRESS CENTRAL  
 I-35 TUNNEL  
 STA 223+00.00

SCALE: HORIZ: 1"=40'  
 VERT: 1"=40'

CONT	SECT	JOB	HIGHWAY
0015	13	433, ETC.	I-35
DIST	COUNTY		SHEET NO.
AUS	TRAVIS		375





NO.	DATE	REVISION	APPR BY



HDR Engineering, Inc.  
 Firm Registration No. F-754  
 710 Hester Crossing, Suite 150  
 Round Rock, Texas 78681



CAPITAL EXPRESS CENTRAL  
 I-35 TUNNEL  
 STA 223+50.00

SCALE: HORIZ: 1"=40'  
 VERT: 1"=40'

CONT	SECT	JOB	HIGHWAY
0015	13	433, ETC.	I-35
DIST	COUNTY		SHEET NO.
AUS	TRAVIS		376



NO.	DATE	REVISION	APPR BY



HDR Engineering, Inc.  
 Firm Registration No. F-754  
 710 Hester Crossing, Suite 150  
 Round Rock, Texas 78681



CAPITAL EXPRESS CENTRAL  
 @ I-35 TUNNEL  
 STA 224+00.00

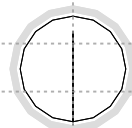
SCALE: HORIZ: 1"=40'  
 VERT: 1"=40'

CONT	SECT	JOB	HIGHWAY
0015	13	433, ETC.	I-35
DIST	COUNTY		SHEET NO.
AUS	TRAVIS		377



I35NS-TUNNEL

STA 224+50.00



NO.	DATE	REVISION	APPR BY



HDR Engineering, Inc  
 Firm Registration No. F-754  
 710 Hester Crossing, Suite 150  
 Round Rock, Texas 78681



CAPITAL EXPRESS CENTRAL  
 I-35 TUNNEL  
 STA 224+50.00

SCALE: HORIZ: 1"=40'  
 VERT: 1"=40'

CONT	SECT	JOB	HIGHWAY
0015	13	433, ETC.	I-35
DIST	COUNTY		SHEET NO.
AUS	TRAVIS		378



NO.	DATE	REVISION	APPR BY



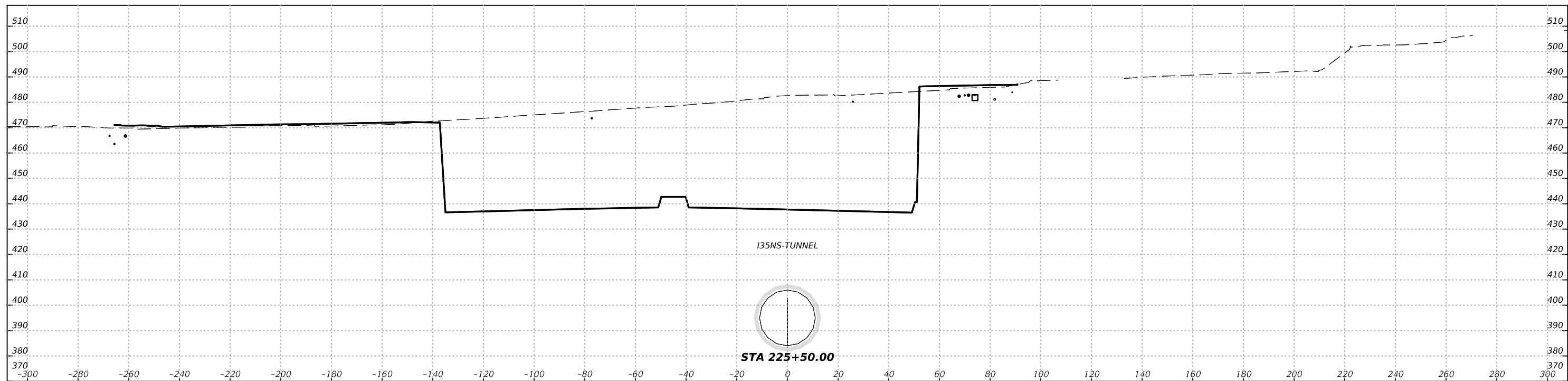
HDR Engineering, Inc.  
 Firm Registration No. F-754  
 710 Hester Crossing, Suite 150  
 Round Rock, Texas 78681



CAPITAL EXPRESS CENTRAL  
 I-35 TUNNEL  
 STA 225+00.00

SCALE: HORIZ: 1"=40'  
 VERT: 1"=40'

CONT	SECT	JOB	HIGHWAY
0015	13	433, ETC.	I-35
DIST	COUNTY		SHEET NO.
AUS	TRAVIS		379



NO.	DATE	REVISION	APPR BY



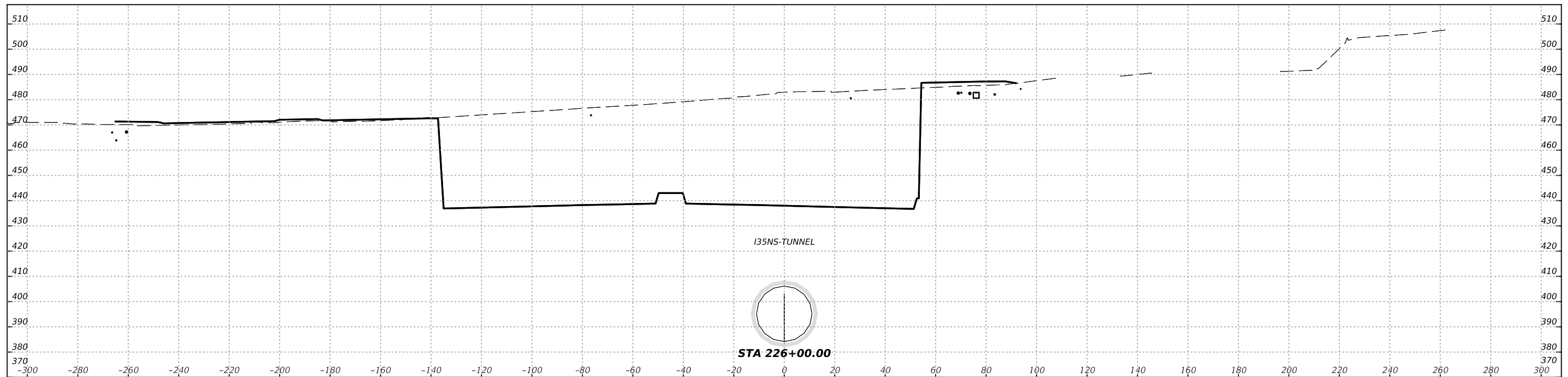
HDR Engineering, Inc.  
 Firm Registration No. F-754  
 710 Hester Crossing, Suite 150  
 Round Rock, Texas 78681



CAPITAL EXPRESS CENTRAL  
 I-35 TUNNEL  
 STA 225+50.00

SCALE: HORIZ: 1"=40'  
 VERT: 1"=40'

CONT	SECT	JOB	HIGHWAY
0015	13	433, ETC.	I-35
DIST COUNTY			SHEET NO.
AUS	TRAVIS		380



NO.	DATE	REVISION	APPR BY



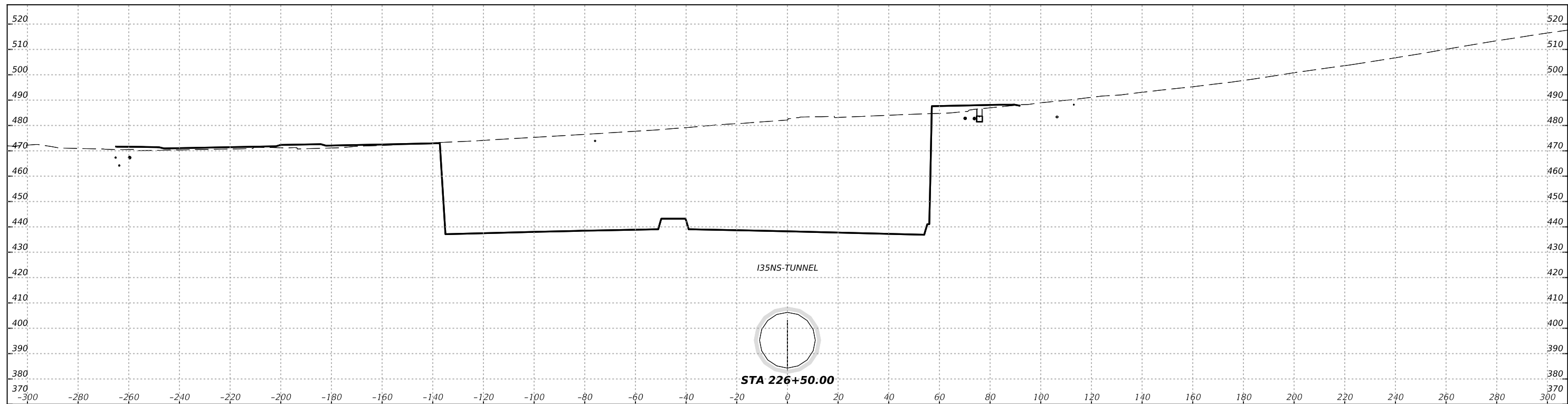
HDR Engineering, Inc.  
 Firm Registration No. F-754  
 710 Hester Crossing, Suite 150  
 Round Rock, Texas 78681



CAPITAL EXPRESS CENTRAL  
 I-35 TUNNEL  
 STA 226+00.00

SCALE: HORIZ: 1"=40'  
 VERT: 1"=40'

CONT	SECT	JOB	HIGHWAY
0015	13	433, ETC.	I-35
DIST COUNTY			SHEET NO.
AUS	TRAVIS		381



NO.	DATE	REVISION	APPR BY



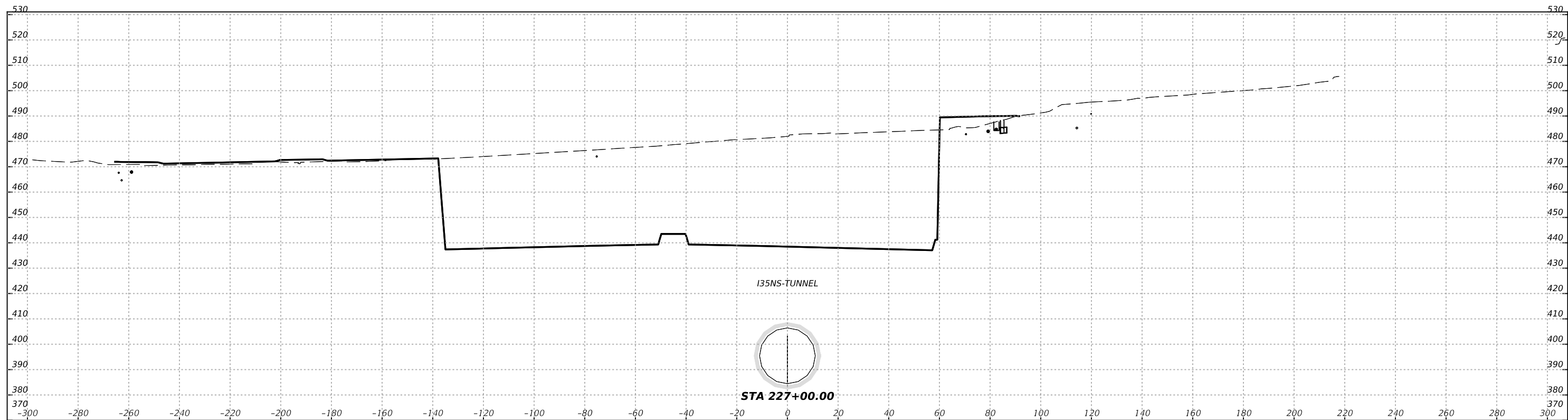
HDR Engineering, Inc.  
 Firm Registration No. F-754  
 710 Hester Crossing, Suite 150  
 Round Rock, Texas 78681



CAPITAL EXPRESS CENTRAL  
 I-35 TUNNEL  
 STA 226+50.00

SCALE: HORIZ: 1"=40'  
 VERT: 1"=40'

CONT	SECT	JOB	HIGHWAY
0015	13	433, ETC.	I-35
DIST	COUNTY		SHEET NO.
AUS	TRAVIS		382



NO.	DATE	REVISION	APPR BY



HDR Engineering, Inc.  
 Firm Registration No. F-754  
 710 Hester Crossing, Suite 150  
 Round Rock, Texas 78681

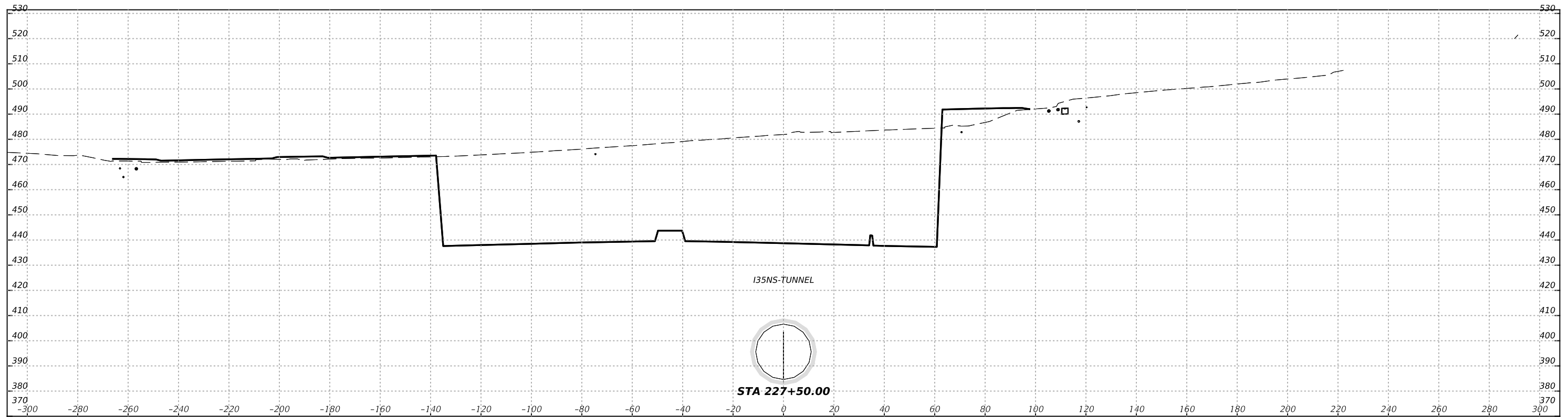


CAPITAL EXPRESS CENTRAL  
 I-35 TUNNEL  
 STA 227+00.00

SCALE: HORIZ: 1"=40'  
 VERT: 1"=40'

CONT	SECT	JOB	HIGHWAY
0015	13	433, ETC.	I-35
DIST COUNTY			SHEET NO.
AUS	TRAVIS		383





NO.	DATE	REVISION	APPR BY



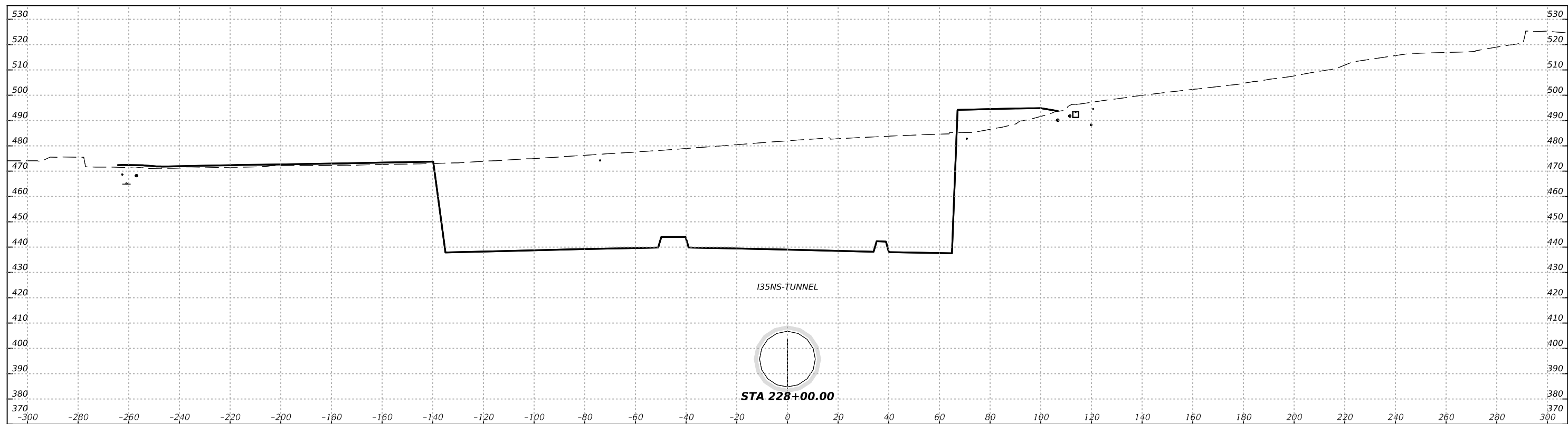
HDR Engineering, Inc.  
 Firm Registration No. F-754  
 710 Hester Crossing, Suite 150  
 Round Rock, Texas 78681



CAPITAL EXPRESS CENTRAL  
 I-35 TUNNEL  
 STA 227+50.00

SCALE: HORIZ: 1"=40'  
 VERT: 1"=40'

CONT	SECT	JOB	HIGHWAY
0015	13	433, ETC.	I-35
DIST COUNTY			SHEET NO.
AUS	TRAVIS		384



NO.	DATE	REVISION	APPR BY



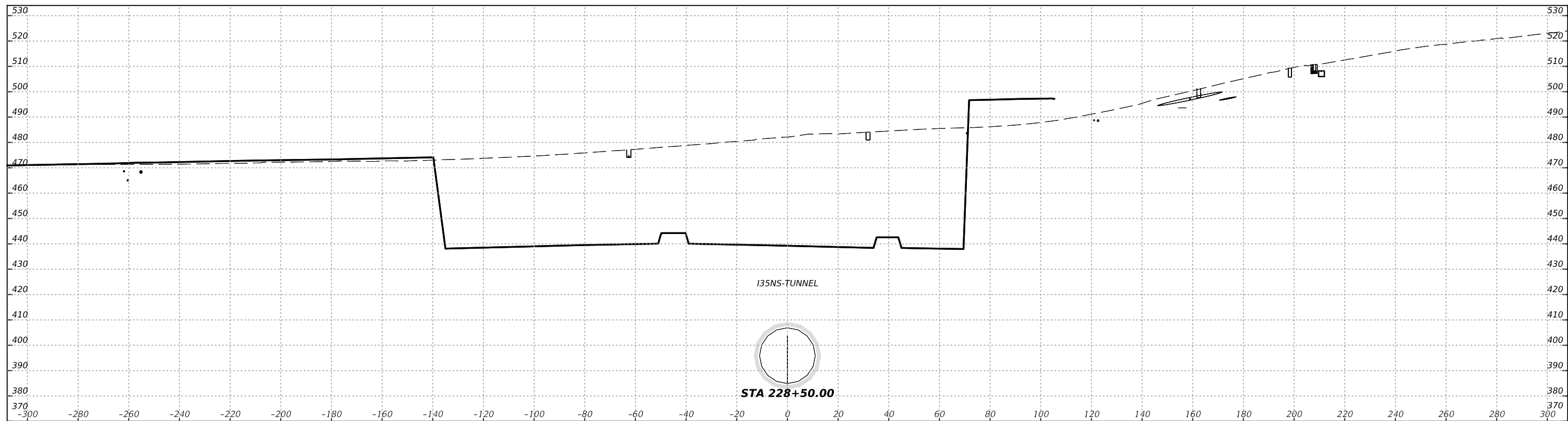
HDR Engineering, Inc.  
 Firm Registration No. F-754  
 710 Hester Crossing, Suite 150  
 Round Rock, Texas 78681



CAPITAL EXPRESS CENTRAL  
 I-35 TUNNEL  
 STA 228+00.00

SCALE: HORIZ: 1"=40'  
 VERT: 1"=40'

CONT	SECT	JOB	HIGHWAY
0015	13	433, ETC.	I-35
DIST COUNTY			SHEET NO.
AUS	TRAVIS		385



NO.	DATE	REVISION	APPR BY



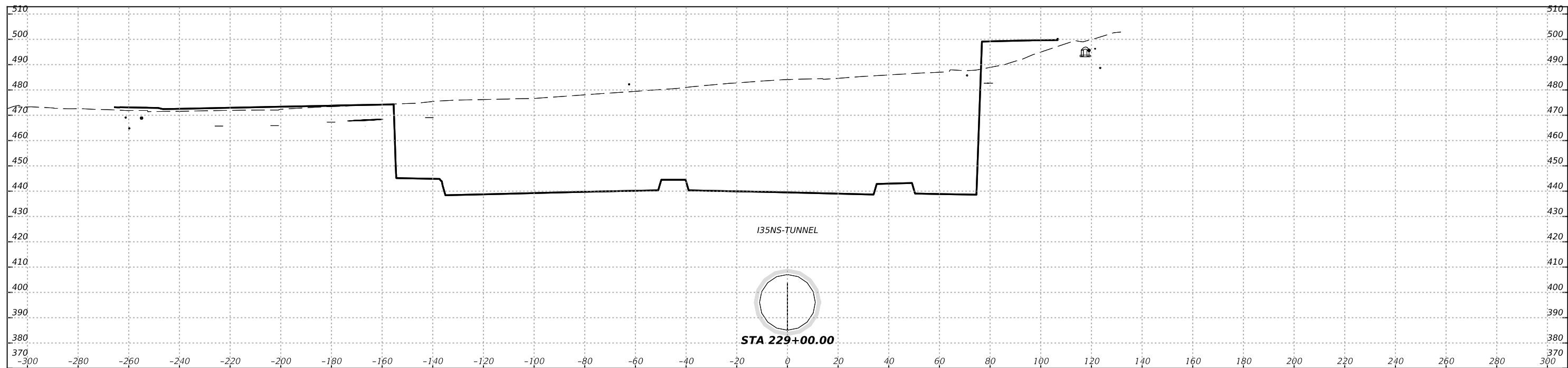
HDR Engineering, Inc.  
 Firm Registration No. F-754  
 710 Hester Crossing, Suite 150  
 Round Rock, Texas 78681



CAPITAL EXPRESS CENTRAL  
 I-35 TUNNEL  
 STA 228+50.00

SCALE: HORIZ: 1"=40'  
 VERT: 1"=40'

CONT	SECT	JOB	HIGHWAY
0015	13	433, ETC.	I-35
DIST COUNTY			SHEET NO.
AUS	TRAVIS		386



NO.	DATE	REVISION	APPR BY



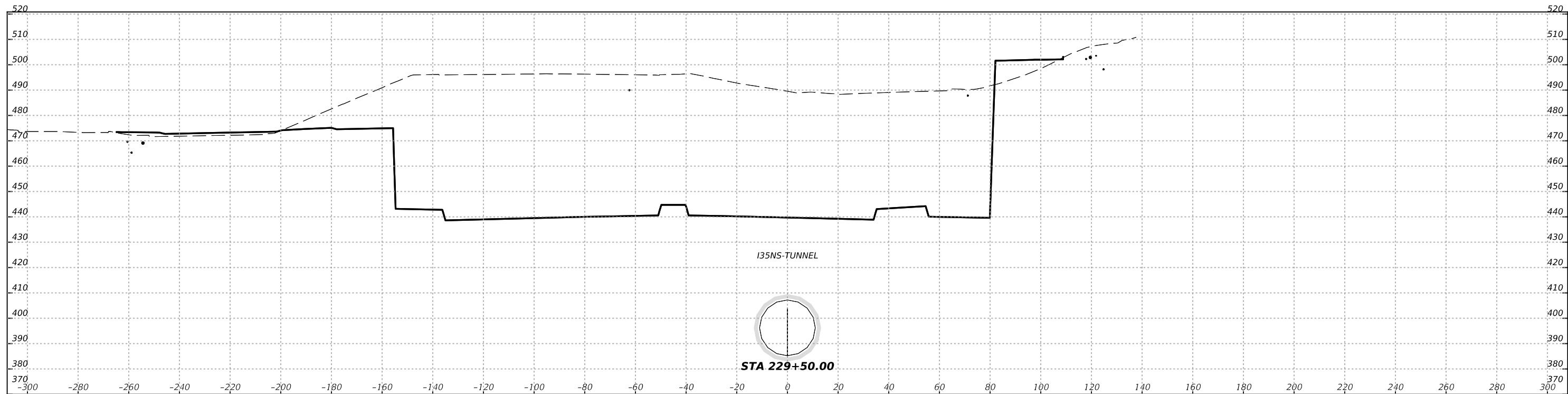
HDR Engineering, Inc.  
 Firm Registration No. F-754  
 710 Hester Crossing, Suite 150  
 Round Rock, Texas 78681



CAPITAL EXPRESS CENTRAL  
 I-35 TUNNEL  
 STA 229+00.00

SCALE: HORIZ: 1"=40'  
 VERT: 1"=40'

CONT	SECT	JOB	HIGHWAY
0015	13	433, ETC.	I-35
DIST	COUNTY		SHEET NO.
AUS	TRAVIS		387



NO.	DATE	REVISION	APPR BY



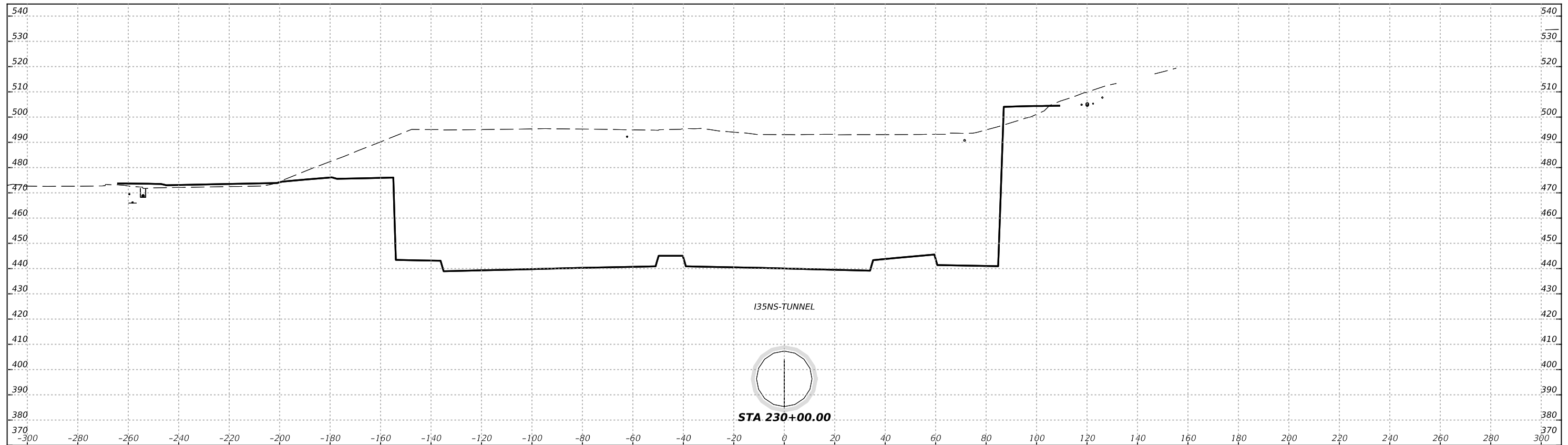
HDR Engineering, Inc.  
 Firm Registration No. F-754  
 710 Hester Crossing, Suite 150  
 Round Rock, Texas 78681



CAPITAL EXPRESS CENTRAL  
 I-35 TUNNEL  
 STA 229+50.00

SCALE: HORIZ: 1"=40'  
 VERT: 1"=40'

CONT	SECT	JOB	HIGHWAY
0015	13	433, ETC.	I-35
DIST	COUNTY		SHEET NO.
AUS	TRAVIS		388



NO.	DATE	REVISION	APPR BY



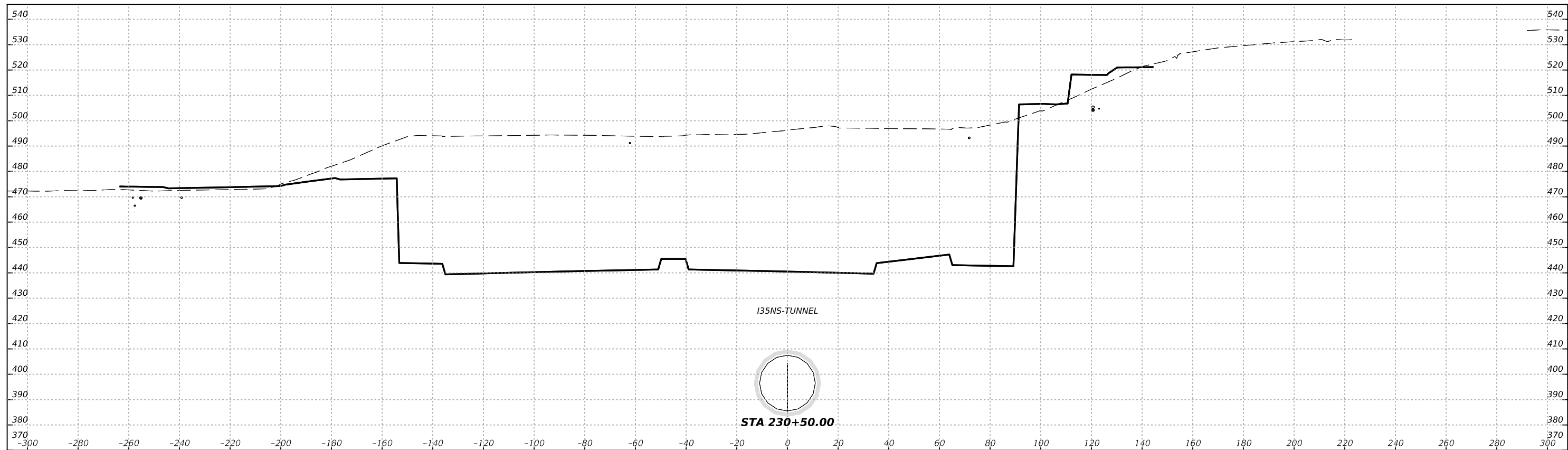
HDR Engineering, Inc.  
 Firm Registration No. F-754  
 710 Hester Crossing, Suite 150  
 Round Rock, Texas 78681



CAPITAL EXPRESS CENTRAL  
 I-35 TUNNEL  
 STA 230+00.00

SCALE: HORIZ: 1"=40'  
 VERT: 1"=40'

CONT	SECT	JOB	HIGHWAY
0015	13	433, ETC.	I-35
DIST	COUNTY		SHEET NO.
AUS	TRAVIS		389



NO.	DATE	REVISION	APPR BY



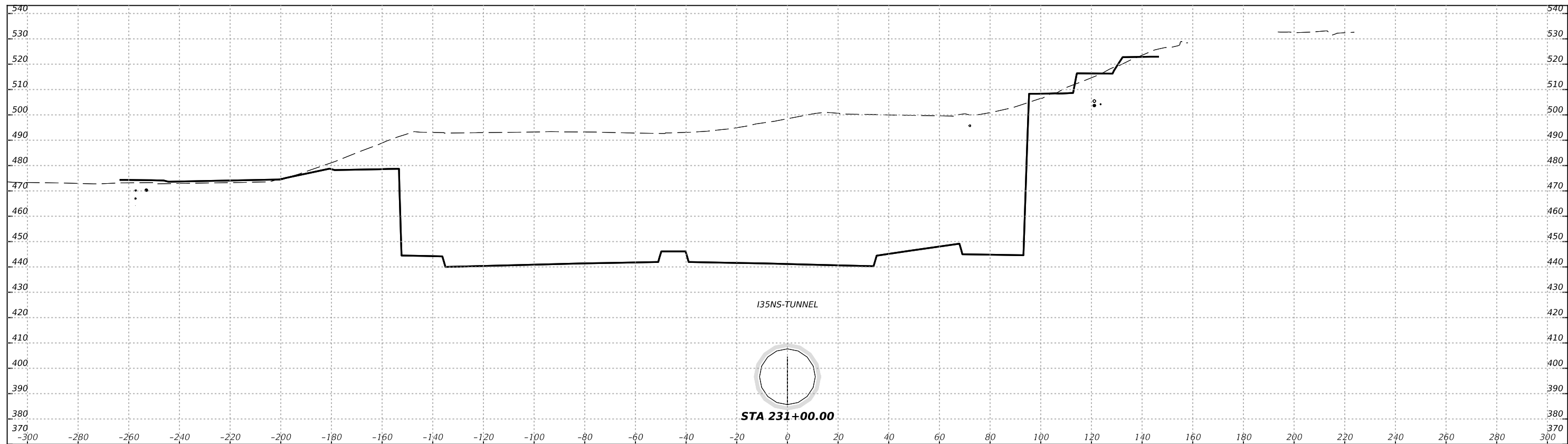
HDR Engineering, Inc.  
 Firm Registration No. F-754  
 710 Hester Crossing, Suite 150  
 Round Rock, Texas 78681



CAPITAL EXPRESS CENTRAL  
 I-35 TUNNEL  
 STA 230+50.00

SCALE: HORIZ: 1"=40'  
 VERT: 1"=40'

CONT	SECT	JOB	HIGHWAY
0015	13	433, ETC.	I-35
DIST	COUNTY		SHEET NO.
AUS	TRAVIS		390



NO.	DATE	REVISION	APPR BY



HDR Engineering, Inc.  
 Firm Registration No. F-754  
 710 Hester Crossing, Suite 150  
 Round Rock, Texas 78681

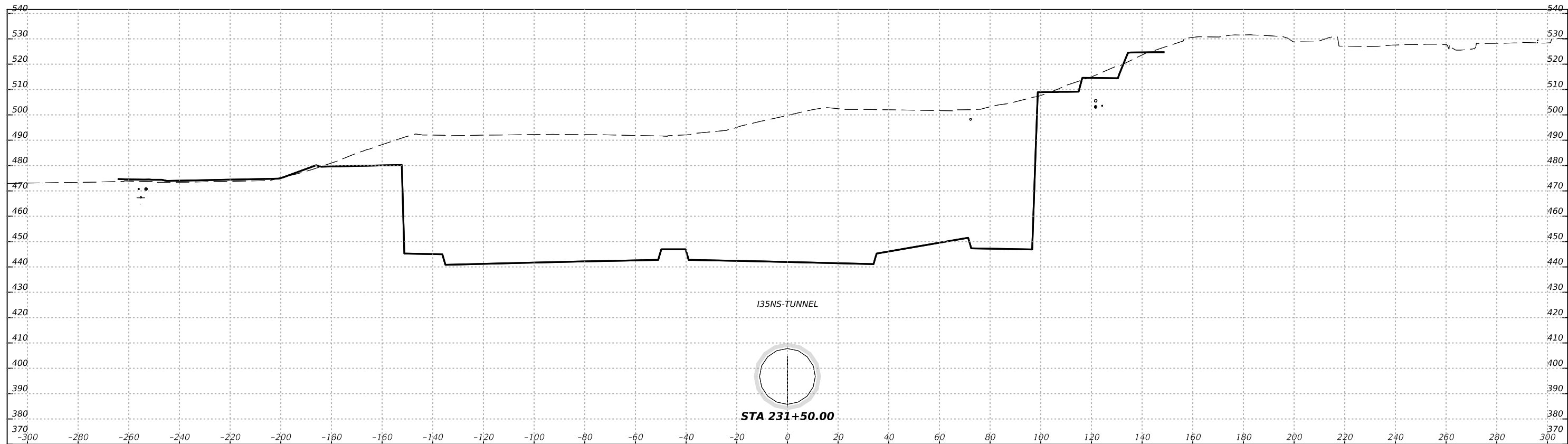


CAPITAL EXPRESS CENTRAL  
 I-35 TUNNEL  
 STA 231+00.00

SCALE: HORIZ: 1"=40'  
 VERT: 1"=40'

CONT	SECT	JOB	HIGHWAY
0015	13	433, ETC.	I-35
DIST	COUNTY		SHEET NO.
AUS	TRAVIS		391





NO.	DATE	REVISION	APPR BY



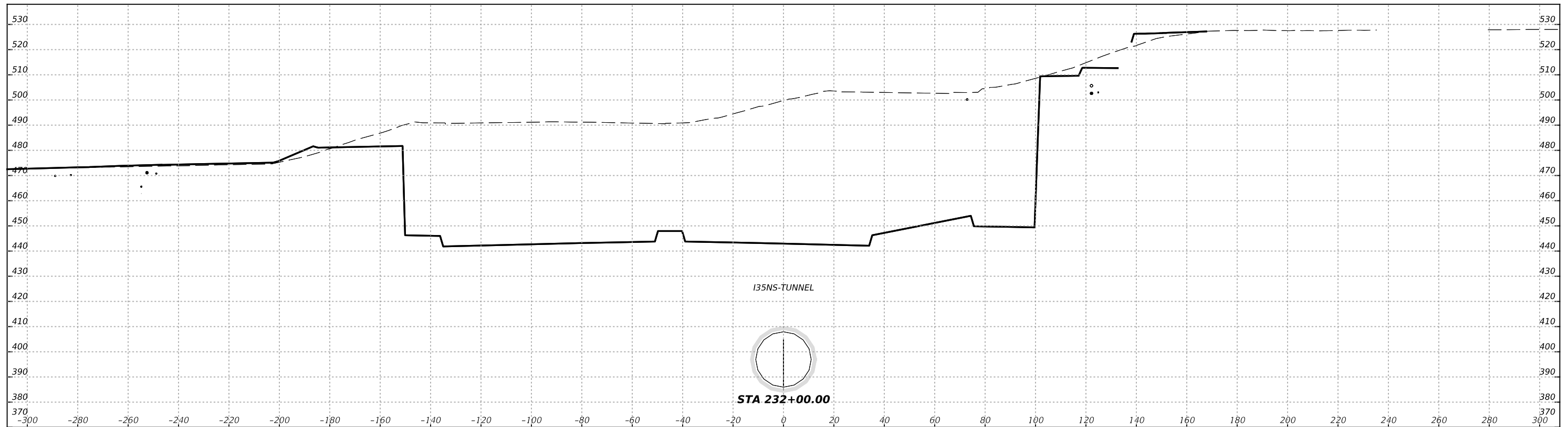
HDR Engineering, Inc.  
 Firm Registration No. F-754  
 710 Hester Crossing, Suite 150  
 Round Rock, Texas 78681



CAPITAL EXPRESS CENTRAL  
 I-35 TUNNEL  
 STA 231+50.00

SCALE: HORIZ: 1"=40'  
 VERT: 1"=40'

CONT	SECT	JOB	HIGHWAY
0015	13	433, ETC.	I-35
DIST	COUNTY		SHEET NO.
AUS	TRAVIS		392



NO.	DATE	REVISION	APPR BY



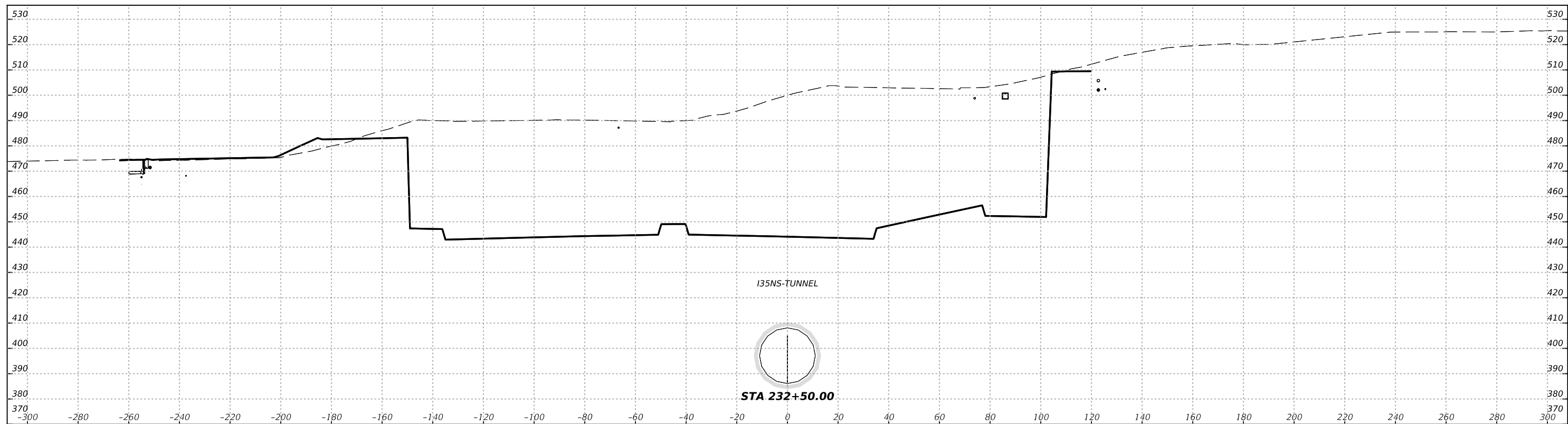
HDR Engineering, Inc.  
 Firm Registration No. F-754  
 710 Hester Crossing, Suite 150  
 Round Rock, Texas 78681



CAPITAL EXPRESS CENTRAL  
 I-35 TUNNEL  
 STA 232+00.00

SCALE: HORIZ: 1"=40'  
 VERT: 1"=40'

CONT	SECT	JOB	HIGHWAY
0015	13	433, ETC.	I-35
DIST COUNTY			SHEET NO.
AUS	TRAVIS		393



NO.	DATE	REVISION	APPR BY



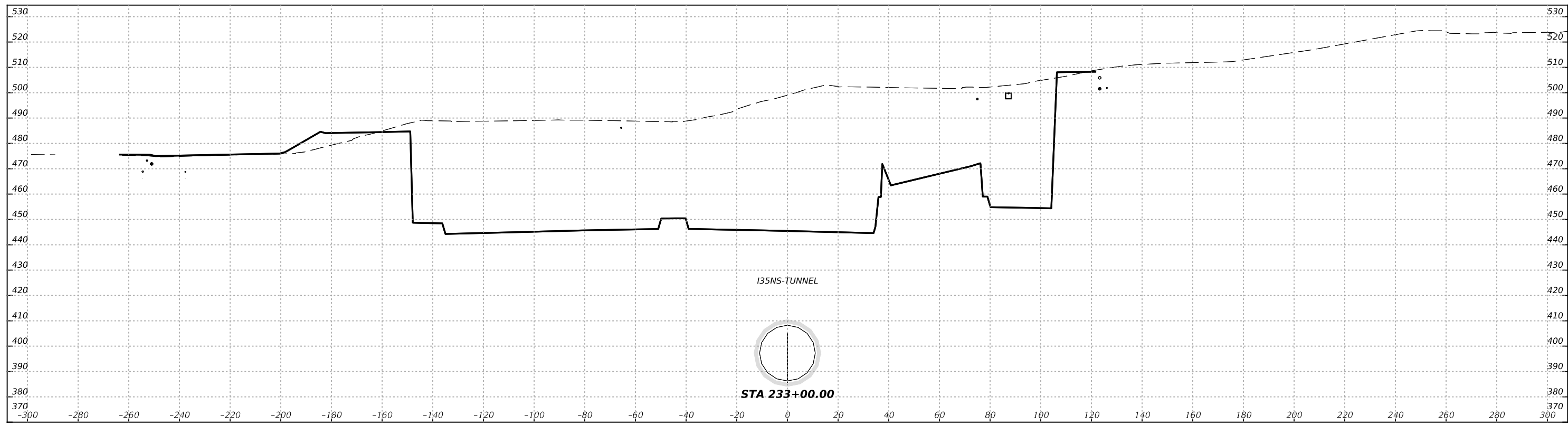
HDR Engineering, Inc.  
 Firm Registration No. F-754  
 710 Hester Crossing, Suite 150  
 Round Rock, Texas 78681



CAPITAL EXPRESS CENTRAL  
 I-35 TUNNEL  
 STA 232+50.00

SCALE: HORIZ: 1"=40'  
 VERT: 1"=40'

CONT	SECT	JOB	HIGHWAY
0015	13	433, ETC.	I-35
DIST COUNTY			SHEET NO.
AUS	TRAVIS		394



NO.	DATE	REVISION	APPR BY



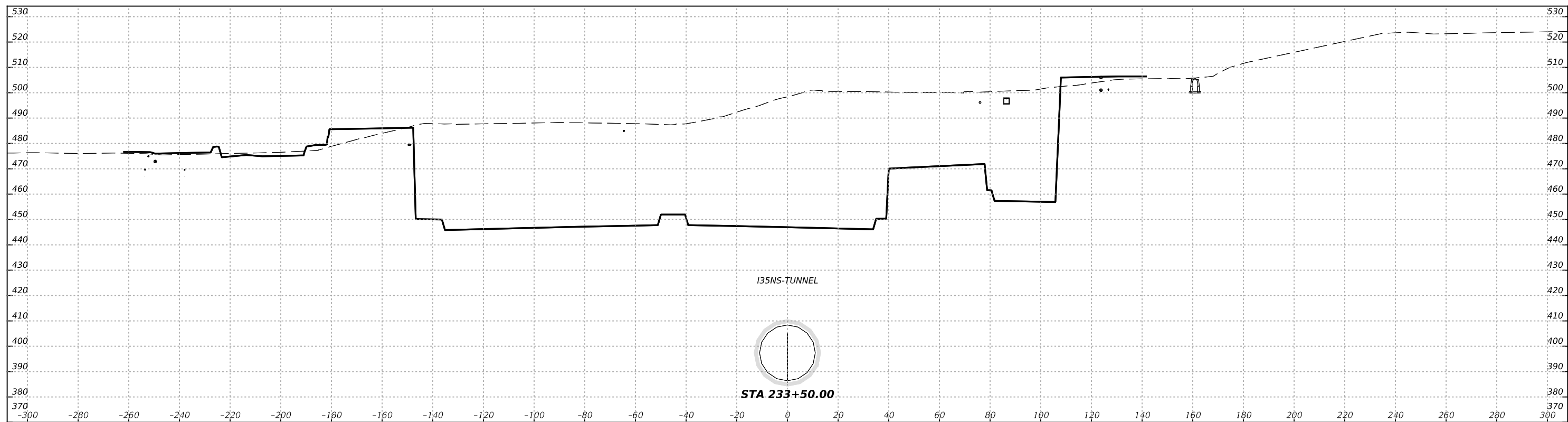
HDR Engineering, Inc.  
 Firm Registration No. F-754  
 710 Hester Crossing, Suite 150  
 Round Rock, Texas 78681



CAPITAL EXPRESS CENTRAL  
 I-35 TUNNEL  
 STA 233+00.00

SCALE: HORIZ: 1"=40'  
 VERT: 1"=40'

CONT	SECT	JOB	HIGHWAY
0015	13	433, ETC.	I-35
DIST	COUNTY		SHEET NO.
AUS	TRAVIS		395



NO.	DATE	REVISION	APPR BY



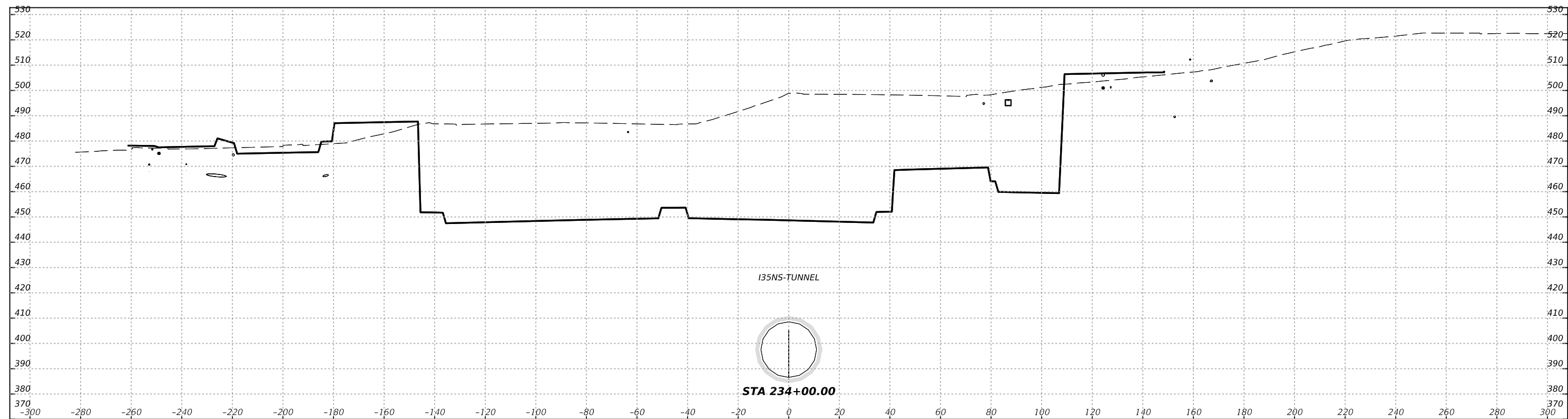
HDR Engineering, Inc.  
 Firm Registration No. F-754  
 710 Hester Crossing, Suite 150  
 Round Rock, Texas 78681



CAPITAL EXPRESS CENTRAL  
 I-35 TUNNEL  
 STA 233+50.00

SCALE: HORIZ: 1"=40'  
 VERT: 1"=40'

CONT	SECT	JOB	HIGHWAY
0015	13	433, ETC.	I-35
DIST COUNTY			SHEET NO.
AUS	TRAVIS		396



NO.	DATE	REVISION	APPR BY



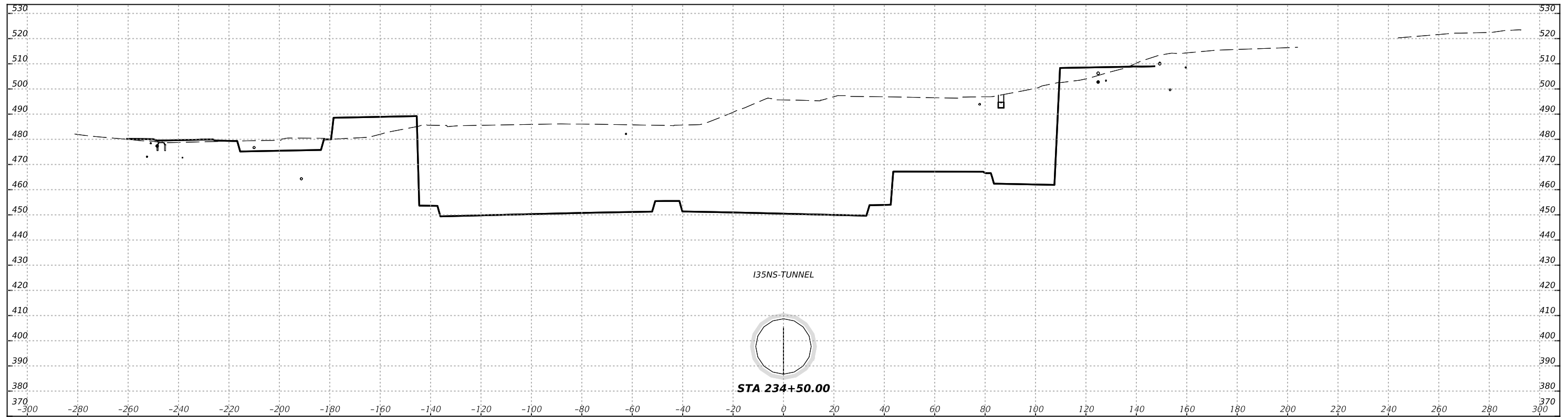
HDR Engineering, Inc.  
 Firm Registration No. F-754  
 710 Hester Crossing, Suite 150  
 Round Rock, Texas 78681



CAPITAL EXPRESS CENTRAL  
 I-35 TUNNEL  
 STA 234+00.00

SCALE: HORIZ: 1"=40'  
 VERT: 1"=40'

CONT	SECT	JOB	HIGHWAY
0015	13	433, ETC.	I-35
DIST	COUNTY		SHEET NO.
AUS	TRAVIS		397



NO.	DATE	REVISION	APPR BY



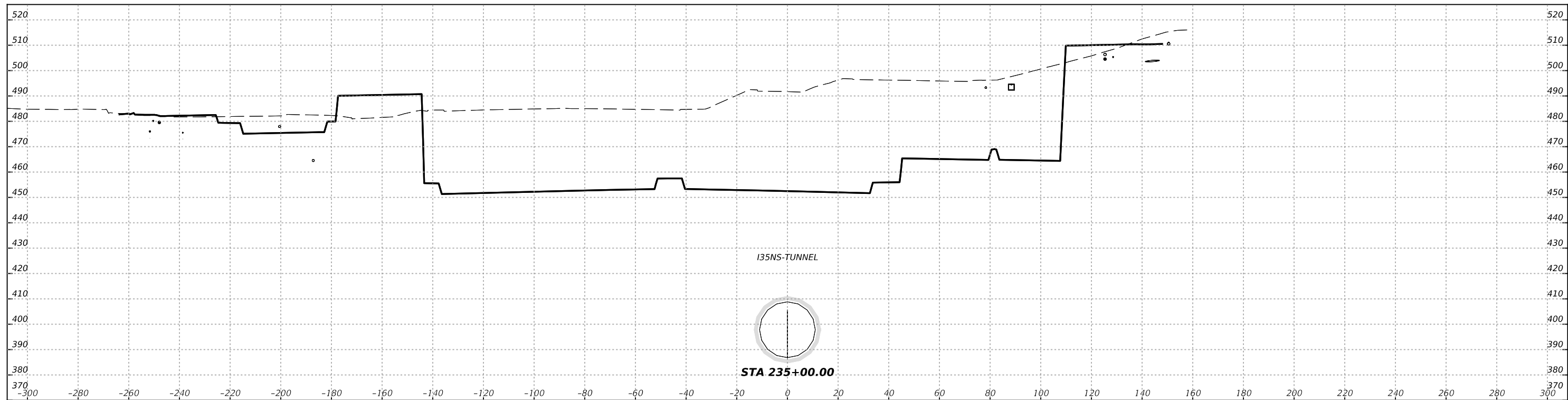
HDR Engineering, Inc.  
 Firm Registration No. F-754  
 710 Hester Crossing, Suite 150  
 Round Rock, Texas 78681



CAPITAL EXPRESS CENTRAL  
 I-35 TUNNEL  
 STA 234+50.00

SCALE: HORIZ: 1"=40'  
 VERT: 1"=40'

CONT	SECT	JOB	HIGHWAY
0015	13	433, ETC.	I-35
DIST COUNTY			SHEET NO.
AUS	TRAVIS		398



NO.	DATE	REVISION	APPR BY



HDR Engineering, Inc.  
 Firm Registration No. F-754  
 710 Hester Crossing, Suite 150  
 Round Rock, Texas 78681

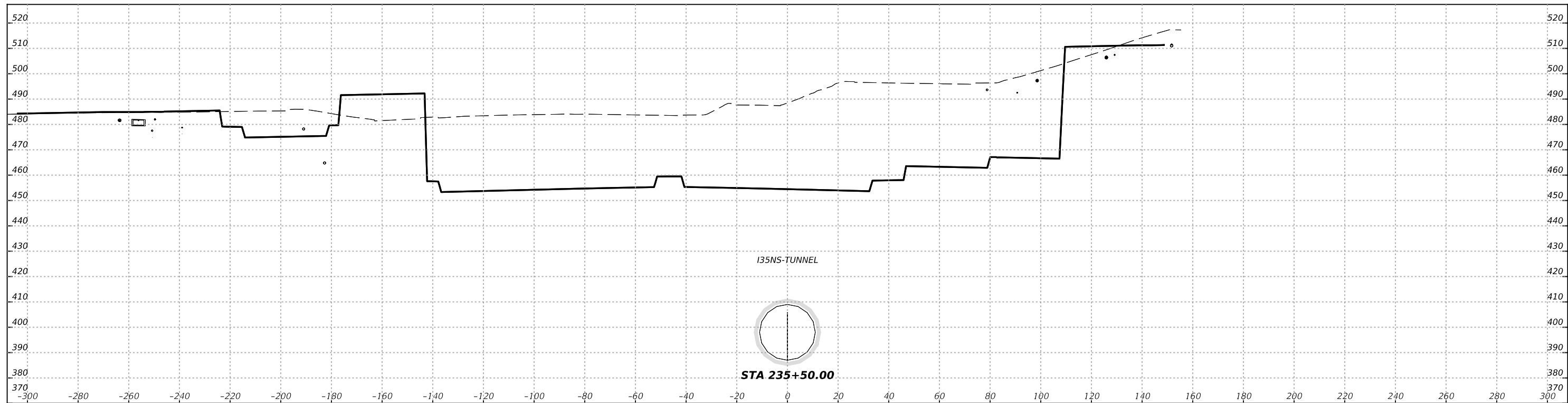


CAPITAL EXPRESS CENTRAL  
 I-35 TUNNEL  
 STA 235+00.00

SCALE: HORIZ: 1"=40'  
 VERT: 1"=40'

CONT	SECT	JOB	HIGHWAY
0015	13	433, ETC.	I-35
DIST COUNTY			SHEET NO.
AUS	TRAVIS		399





NO.	DATE	REVISION	APPR BY



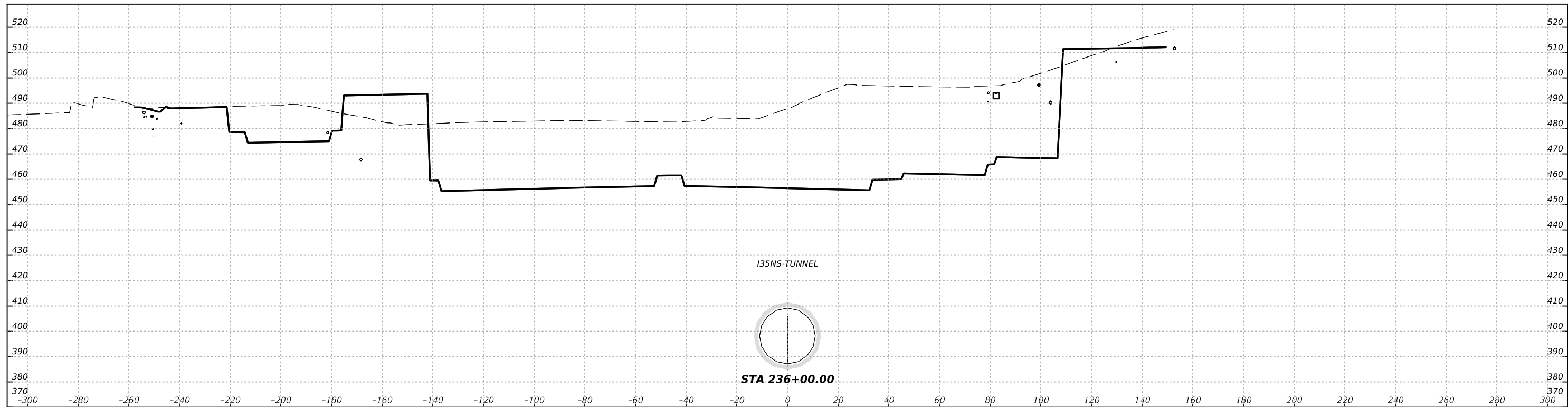
HDR Engineering, Inc.  
 Firm Registration No. F-754  
 710 Hester Crossing, Suite 150  
 Round Rock, Texas 78681



CAPITAL EXPRESS CENTRAL  
 I-35 TUNNEL  
 STA 235+50.00

SCALE: HORIZ: 1"=40'  
 VERT: 1"=40'

CONT	SECT	JOB	HIGHWAY
0015	13	433, ETC.	I-35
DIST COUNTY			SHEET NO.
AUS	TRAVIS		400



NO.	DATE	REVISION	APPR BY



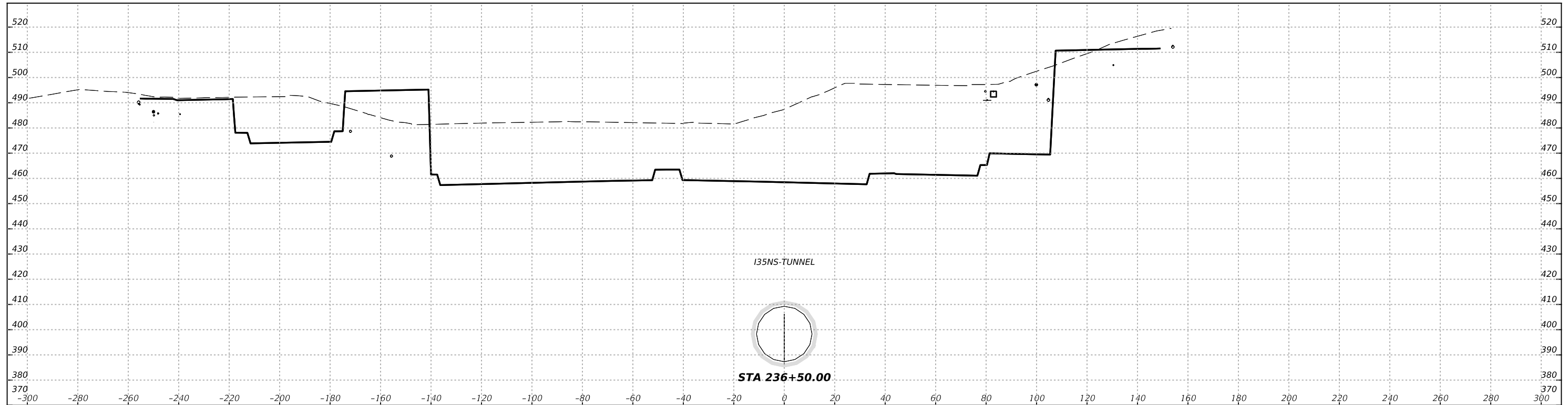
HDR Engineering, Inc.  
 Firm Registration No. F-754  
 710 Hester Crossing, Suite 150  
 Round Rock, Texas 78681



CAPITAL EXPRESS CENTRAL  
 I-35 TUNNEL  
 STA 236+00.00

SCALE: HORIZ: 1"=40'  
 VERT: 1"=40'

CONT	SECT	JOB	HIGHWAY
0015	13	433, ETC.	I-35
DIST COUNTY			SHEET NO.
AUS	TRAVIS		401



NO.	DATE	REVISION	APPR BY



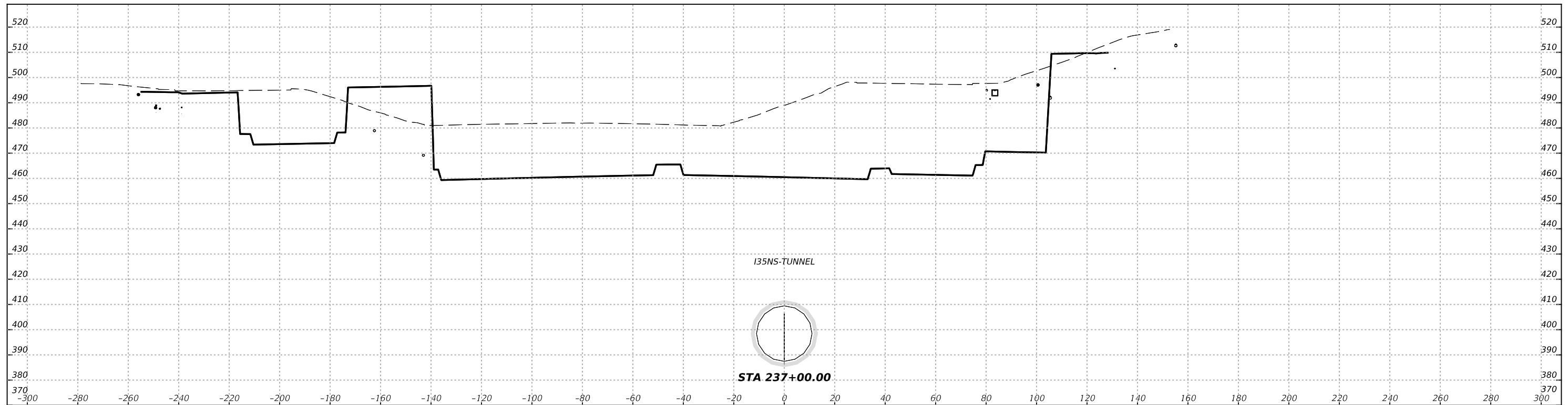
HDR Engineering, Inc.  
 Firm Registration No. F-754  
 710 Hester Crossing, Suite 150  
 Round Rock, Texas 78681



CAPITAL EXPRESS CENTRAL  
 I-35 TUNNEL  
 STA 236+50.00

SCALE: HORIZ: 1"=40'  
 VERT: 1"=40'

CONT	SECT	JOB	HIGHWAY
0015	13	433, ETC.	I-35
DIST	COUNTY		SHEET NO.
AUS	TRAVIS		402



NO.	DATE	REVISION	APPR BY



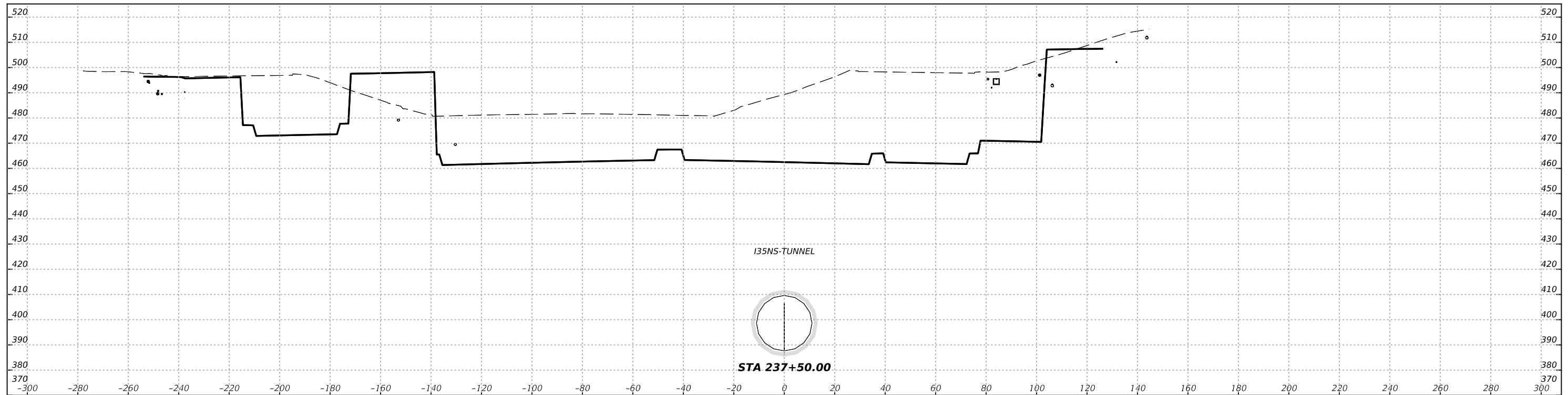
HDR Engineering, Inc.  
 Firm Registration No. F-754  
 710 Hester Crossing, Suite 150  
 Round Rock, Texas 78681



CAPITAL EXPRESS CENTRAL  
 I-35 TUNNEL  
 STA 237+00.00

SCALE: HORIZ: 1"=40'  
 VERT: 1"=40'

CONT	SECT	JOB	HIGHWAY
0015	13	433, ETC.	I-35
DIST COUNTY			SHEET NO.
AUS	TRAVIS		403



NO.	DATE	REVISION	APPR BY



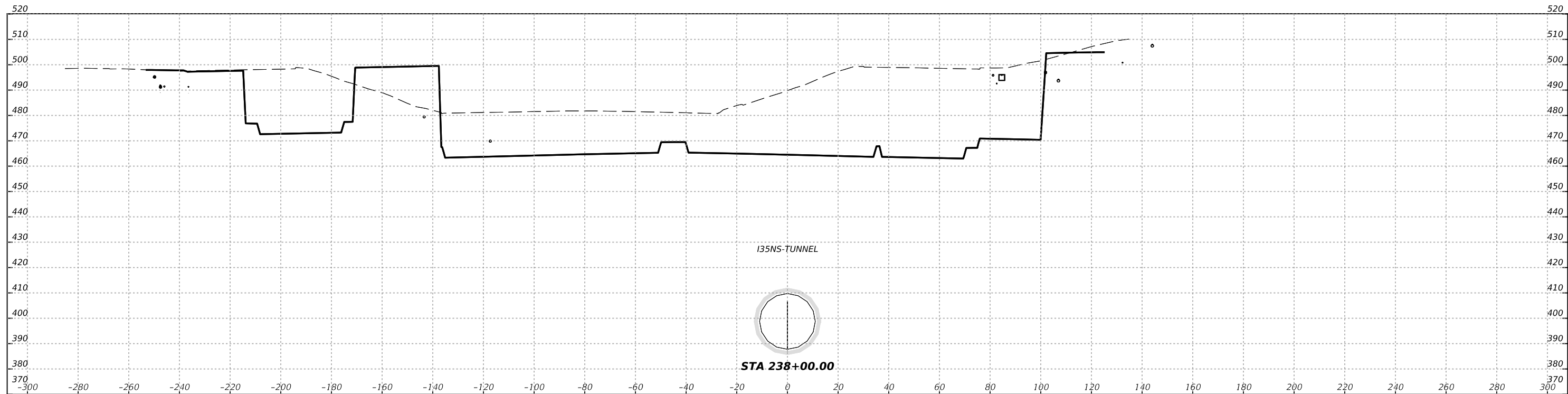
HDR Engineering, Inc.  
 Firm Registration No. F-754  
 710 Hester Crossing, Suite 150  
 Round Rock, Texas 78681



CAPITAL EXPRESS CENTRAL  
 C I-35 TUNNEL  
 STA 237+50.00

SCALE: HORIZ: 1"=40'  
 VERT: 1"=40'

CONT	SECT	JOB	HIGHWAY
0015	13	433, ETC.	I-35
DIST	COUNTY		SHEET NO.
AUS	TRAVIS		404



NO.	DATE	REVISION	APPR BY



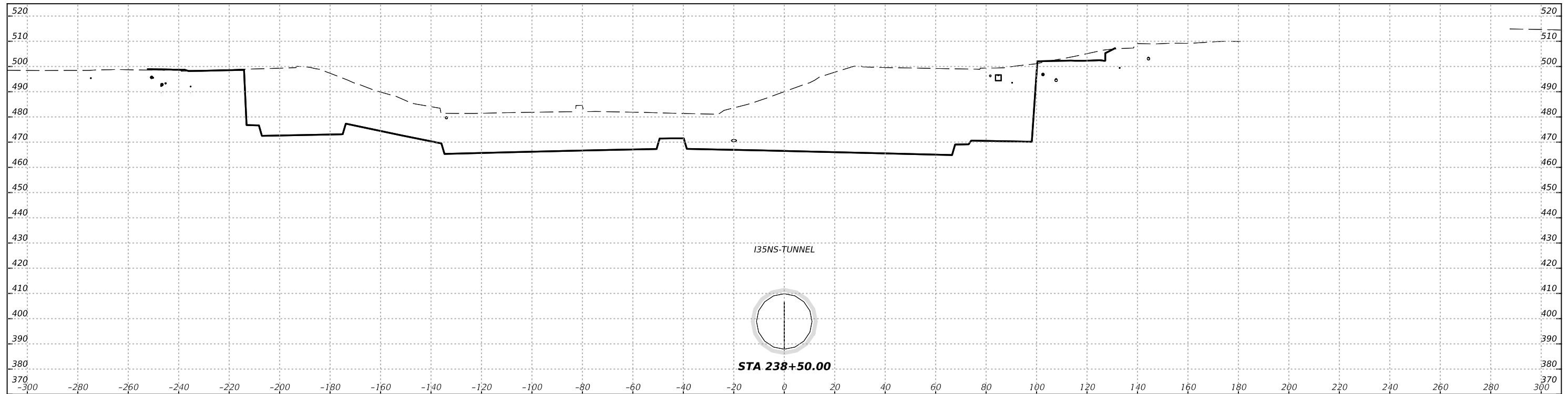
HDR Engineering, Inc.  
 Firm Registration No. F-754  
 710 Hester Crossing, Suite 150  
 Round Rock, Texas 78681



CAPITAL EXPRESS CENTRAL  
 @ I-35 TUNNEL  
 STA 238+00.00

SCALE: HORIZ: 1"=40'  
 VERT: 1"=40'

CONT	SECT	JOB	HIGHWAY
0015	13	433, ETC.	I-35
DIST COUNTY			SHEET NO.
AUS	TRAVIS		405



NO.	DATE	REVISION	APPR BY



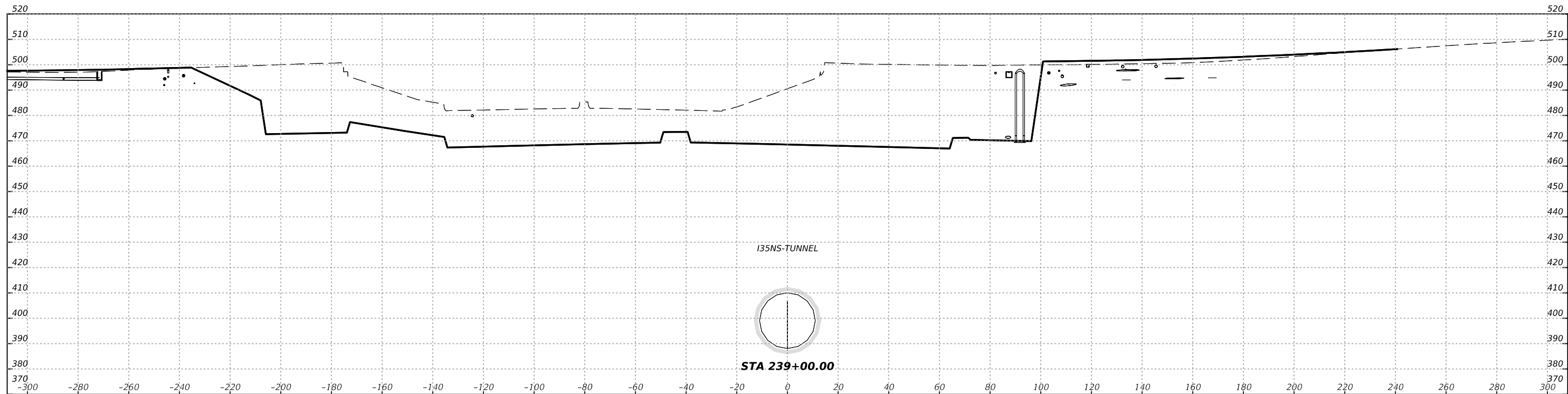
HDR Engineering, Inc.  
 Firm Registration No. F-754  
 710 Hester Crossing, Suite 150  
 Round Rock, Texas 78681



CAPITAL EXPRESS CENTRAL  
 C I-35 TUNNEL  
 STA 238+50.00

SCALE: HORIZ: 1"=40'  
 VERT: 1"=40'

CONT	SECT	JOB	HIGHWAY
0015	13	433, ETC.	I-35
DIST	COUNTY		SHEET NO.
AUS	TRAVIS		406



NO.	DATE	REVISION	APPR BY



HDR Engineering, Inc.  
 Firm Registration No. F-754  
 710 Hester Crossing, Suite 150  
 Round Rock, Texas 78681

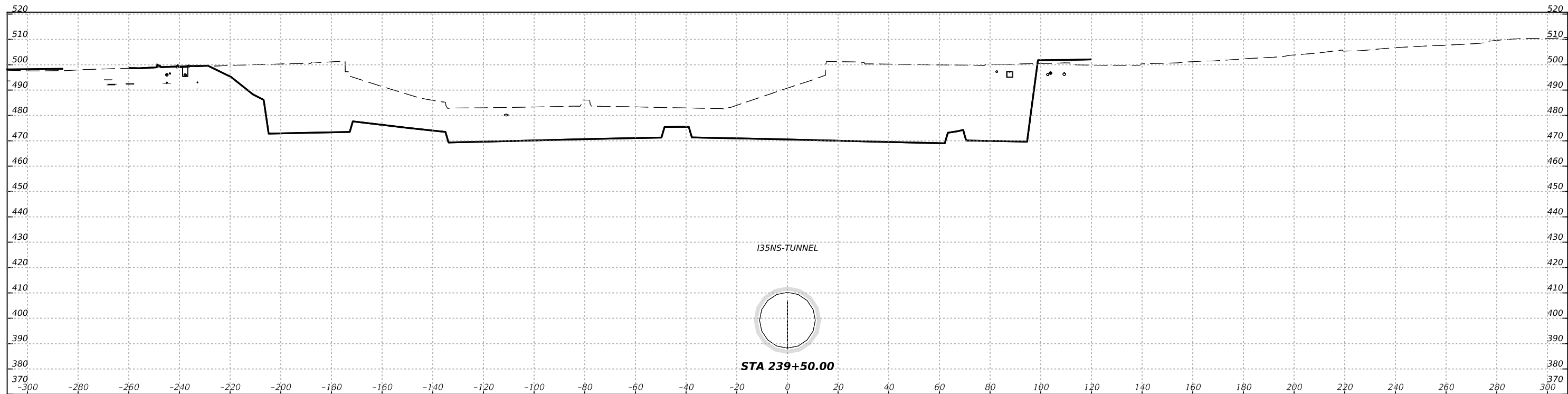


CAPITAL EXPRESS CENTRAL  
 I-35 TUNNEL  
 STA 239+00.00

SCALE: HORIZ: 1"=40'  
 VERT: 1"=40'

CONT	SECT	JOB	HIGHWAY
0015	13	433, ETC.	I-35
DIST COUNTY			SHEET NO.
AUS	TRAVIS		407





NO.	DATE	REVISION	APPR BY



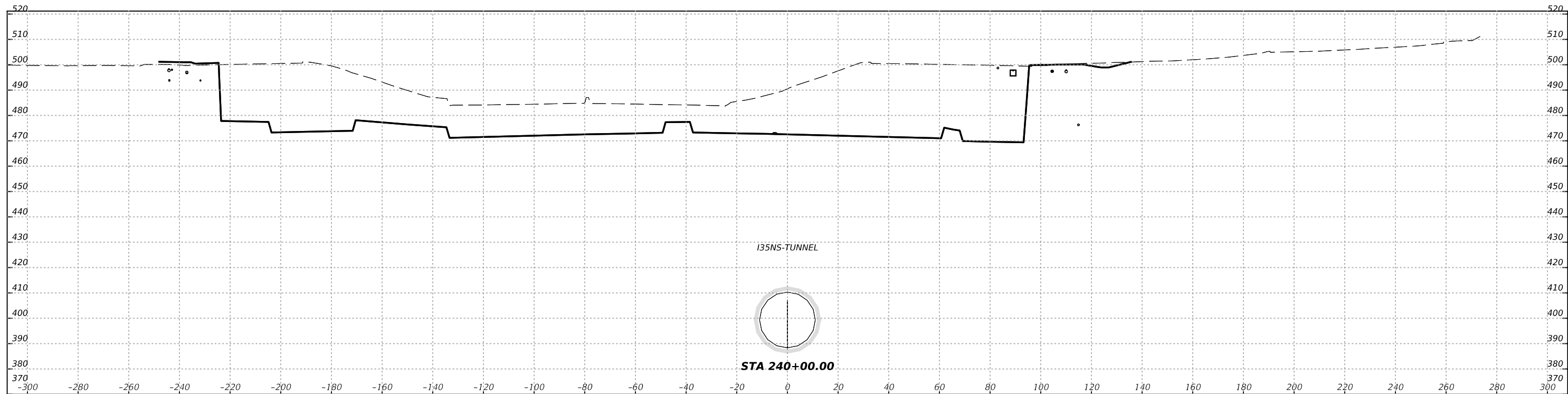
HDR Engineering, Inc.  
 Firm Registration No. F-754  
 710 Hester Crossing, Suite 150  
 Round Rock, Texas 78681



CAPITAL EXPRESS CENTRAL  
 I-35 TUNNEL  
 STA 239+50.00

SCALE: HORIZ: 1"=40'  
 VERT: 1"=40'

CONT	SECT	JOB	HIGHWAY
0015	13	433, ETC.	I-35
DIST			SHEET NO.
AUS	TRAVIS		408



NO.	DATE	REVISION	APPR BY



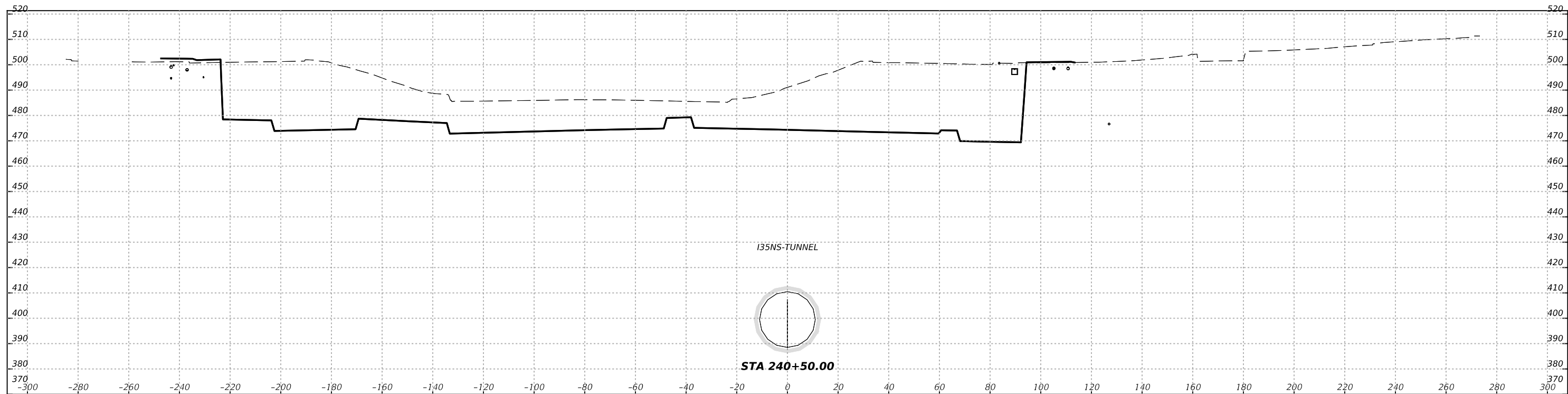
HDR Engineering, Inc.  
 Firm Registration No. F-754  
 710 Hester Crossing, Suite 150  
 Round Rock, Texas 78681



CAPITAL EXPRESS CENTRAL  
 I-35 TUNNEL  
 STA 240+00.00

SCALE: HORIZ: 1"=40'  
 VERT: 1"=40'

CONT	SECT	JOB	HIGHWAY
0015	13	433, ETC.	I-35
DIST COUNTY			SHEET NO.
AUS	TRAVIS		409



NO.	DATE	REVISION	APPR BY



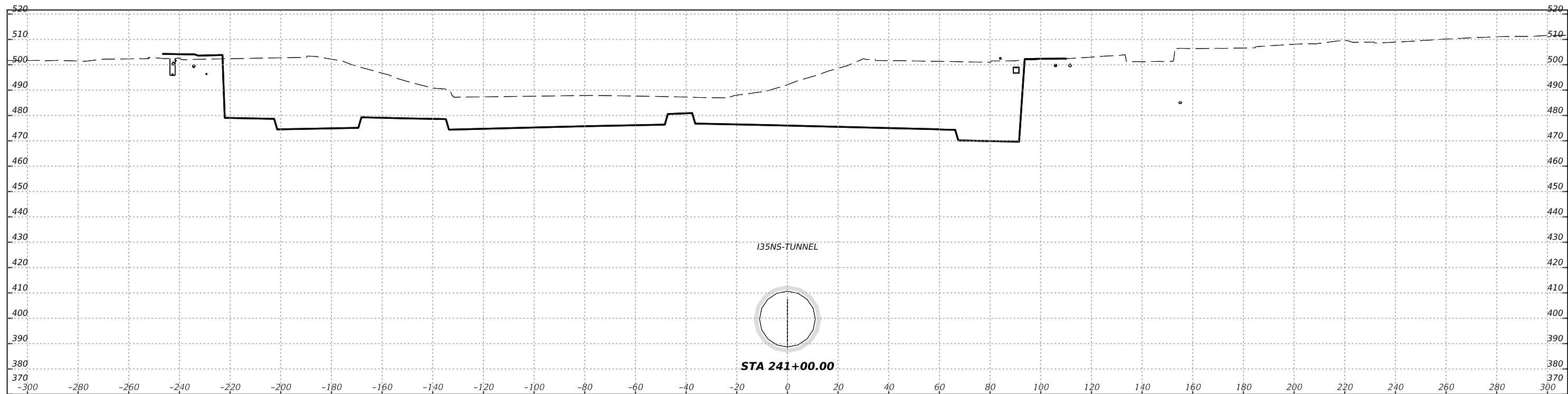
HDR Engineering, Inc.  
 Firm Registration No. F-754  
 710 Hester Crossing, Suite 150  
 Round Rock, Texas 78681



CAPITAL EXPRESS CENTRAL  
 I-35 TUNNEL  
 STA 240+50.00

SCALE: HORIZ: 1"=40'  
 VERT: 1"=40'

CONT	SECT	JOB	HIGHWAY
0015	13	433, ETC.	I-35
DIST COUNTY			SHEET NO.
AUS	TRAVIS		410



NO.	DATE	REVISION	APPR BY



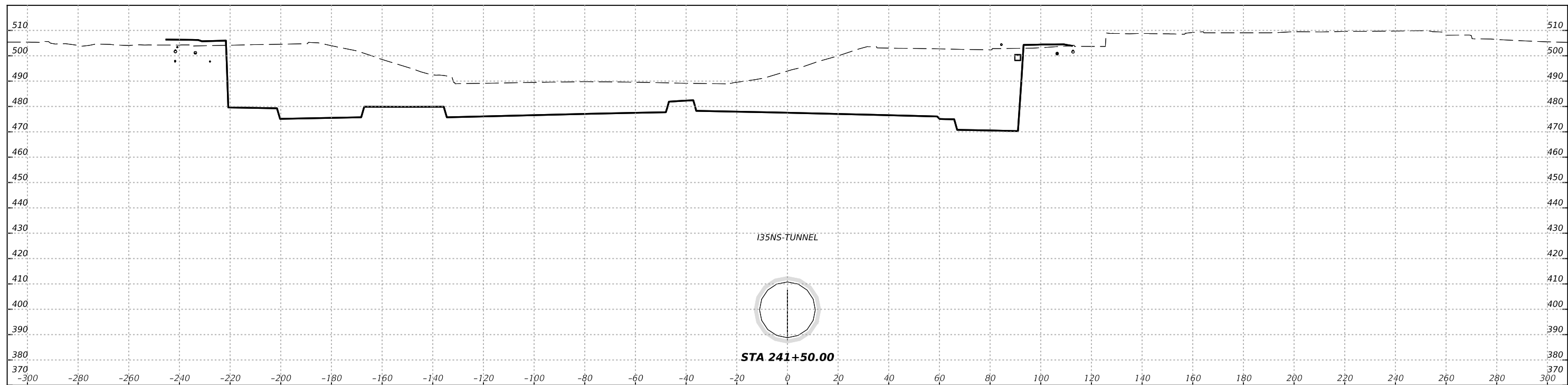
HDR Engineering, Inc.  
 Firm Registration No. F-754  
 710 Hester Crossing, Suite 150  
 Round Rock, Texas 78681



CAPITAL EXPRESS CENTRAL  
 I-35 TUNNEL  
 STA 241+00.00

SCALE: HORIZ: 1"=40'  
 VERT: 1"=40'

CONT	SECT	JOB	HIGHWAY
0015	13	433, ETC.	I-35
DIST COUNTY			SHEET NO.
AUS	TRAVIS		411



NO.	DATE	REVISION	APPR BY



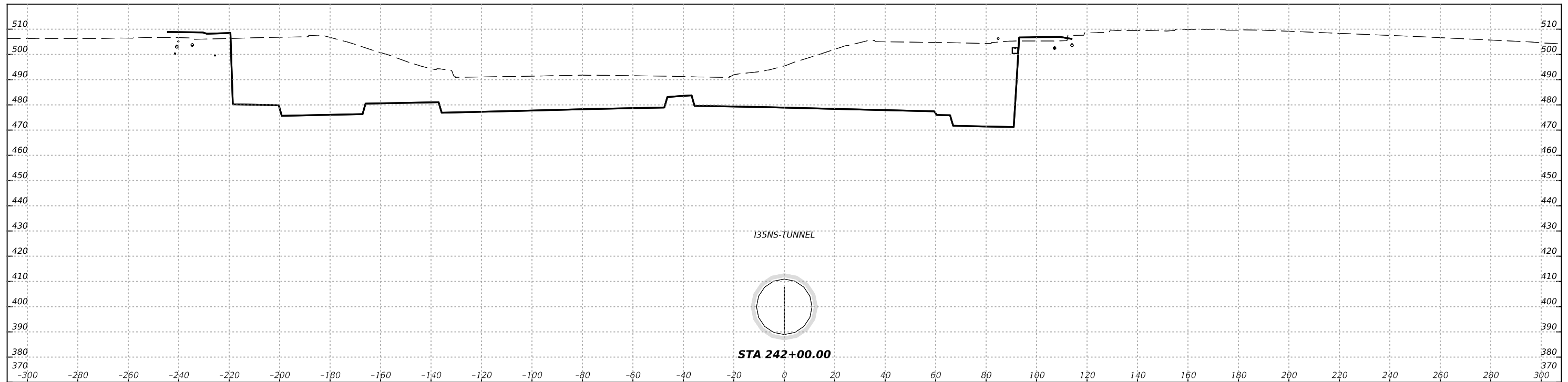
HDR Engineering, Inc.  
 Firm Registration No. F-754  
 710 Hester Crossing, Suite 150  
 Round Rock, Texas 78681



CAPITAL EXPRESS CENTRAL  
 I-35 TUNNEL  
 STA 241+50.00

SCALE: HORIZ: 1"=40'  
 VERT: 1"=40'

CONT	SECT	JOB	HIGHWAY
0015	13	433, ETC.	I-35
DIST COUNTY			SHEET NO.
AUS	TRAVIS		412



NO.	DATE	REVISION	APPR BY



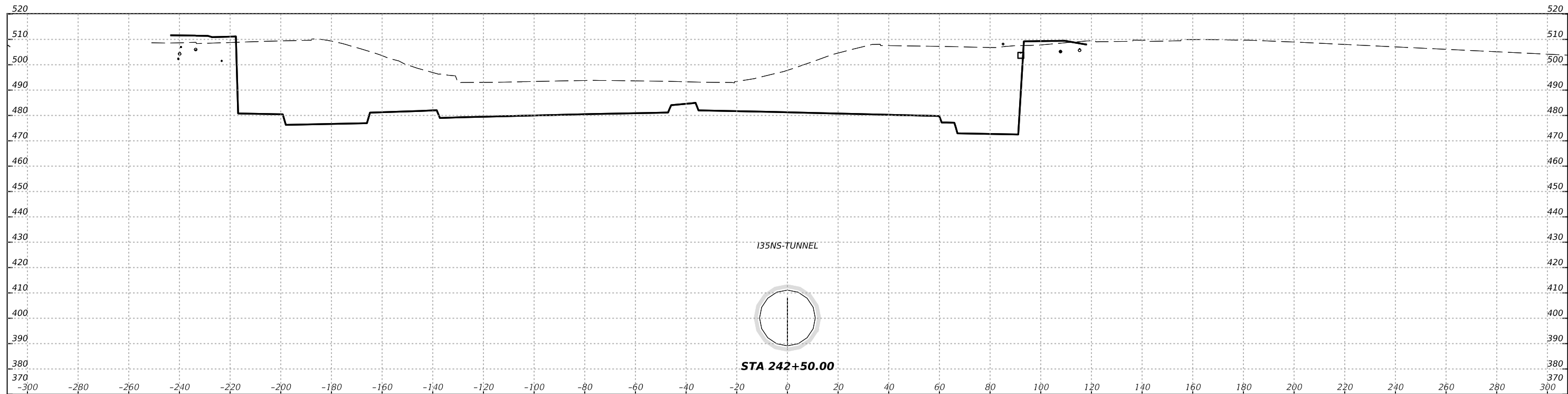
HDR Engineering, Inc.  
 Firm Registration No. F-754  
 710 Hester Crossing, Suite 150  
 Round Rock, Texas 78681



CAPITAL EXPRESS CENTRAL  
 I-35 TUNNEL  
 STA 242+00.00

SCALE: HORIZ: 1"=40'  
 VERT: 1"=40'

CONT	SECT	JOB	HIGHWAY
0015	13	433, ETC.	I-35
DIST	COUNTY		SHEET NO.
AUS	TRAVIS		413



NO.	DATE	REVISION	APPR BY



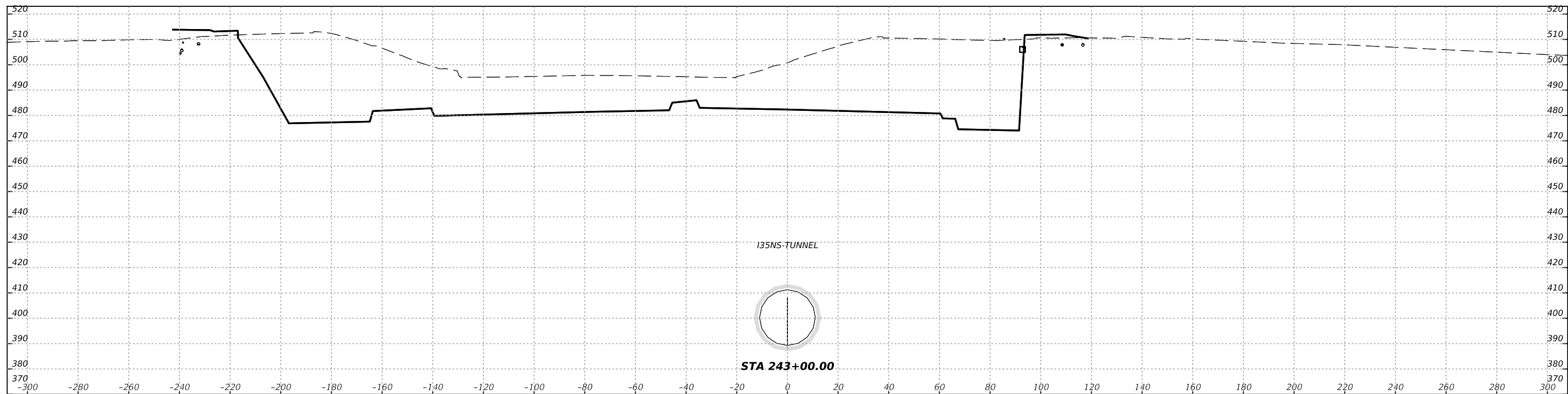
HDR Engineering, Inc.  
 Firm Registration No. F-754  
 710 Hester Crossing, Suite 150  
 Round Rock, Texas 78681



CAPITAL EXPRESS CENTRAL  
 I-35 TUNNEL  
 STA 242+50.00

SCALE: HORIZ: 1"=40'  
 VERT: 1"=40'

CONT	SECT	JOB	HIGHWAY
0015	13	433, ETC.	I-35
DIST	COUNTY		SHEET NO.
AUS	TRAVIS		414



NO.	DATE	REVISION	APPR BY



HDR Engineering, Inc.  
 Firm Registration No. F-754  
 710 Hester Crossing, Suite 150  
 Round Rock, Texas 78681

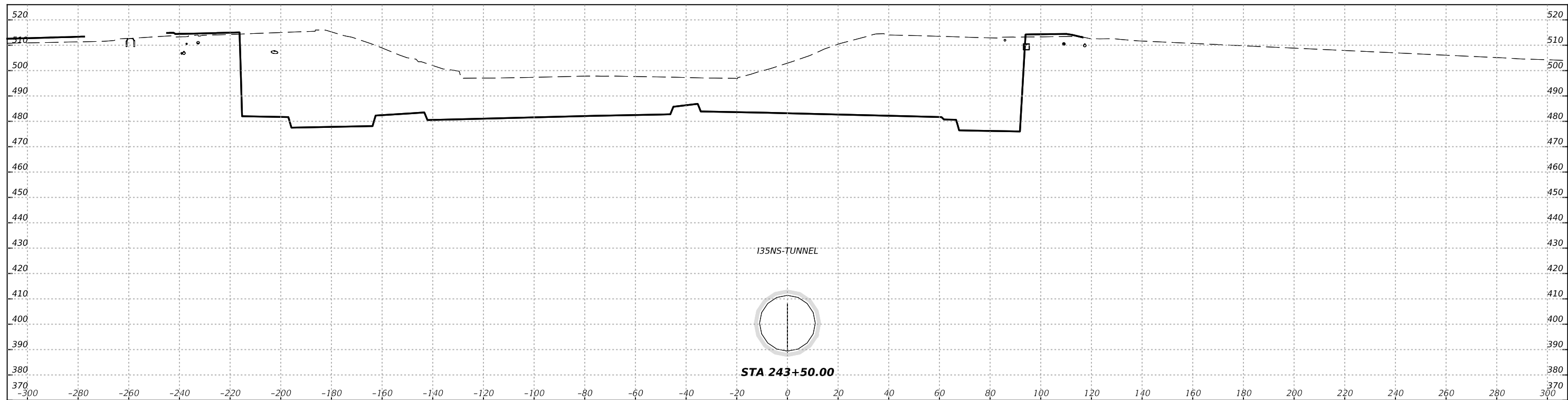


CAPITAL EXPRESS CENTRAL  
 I-35 TUNNEL  
 STA 243+00.00

SCALE: HORIZ: 1"=40'  
 VERT: 1"=40'

CONT	SECT	JOB	HIGHWAY
0015	13	433, ETC.	I-35
DIST	COUNTY		SHEET NO.
AUS	TRAVIS		415





NO.	DATE	REVISION	APPR BY



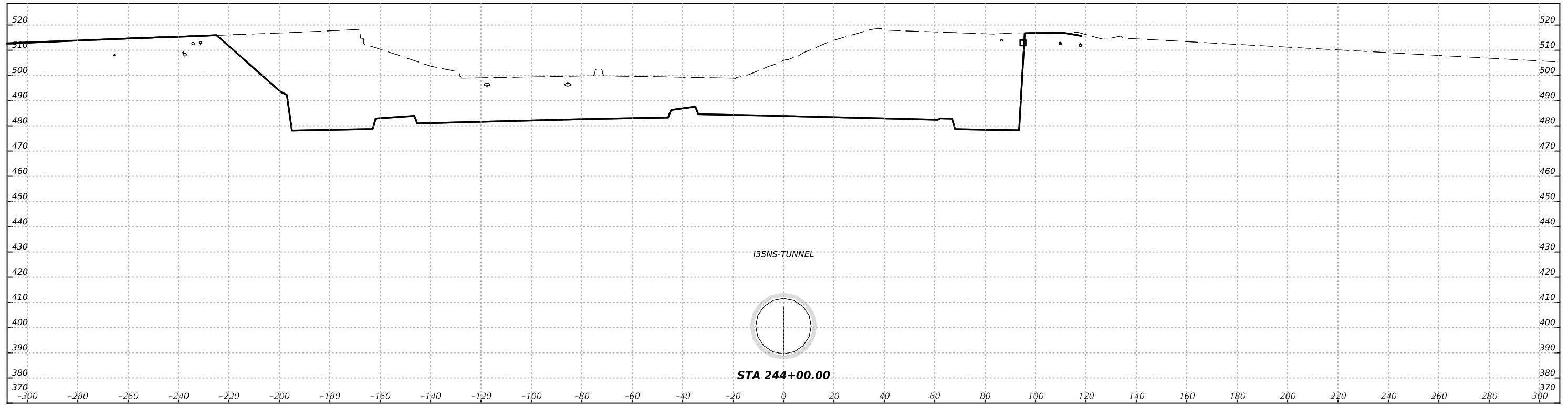
HDR Engineering, Inc.  
 Firm Registration No. F-754  
 710 Hester Crossing, Suite 150  
 Round Rock, Texas 78681



CAPITAL EXPRESS CENTRAL  
 I-35 TUNNEL  
 STA 243+50.00

SCALE: HORIZ: 1"=40'  
 VERT: 1"=40'

CONT	SECT	JOB	HIGHWAY
0015	13	433, ETC.	I-35
DIST	COUNTY		SHEET NO.
AUS	TRAVIS		416



NO.	DATE	REVISION	APPR BY



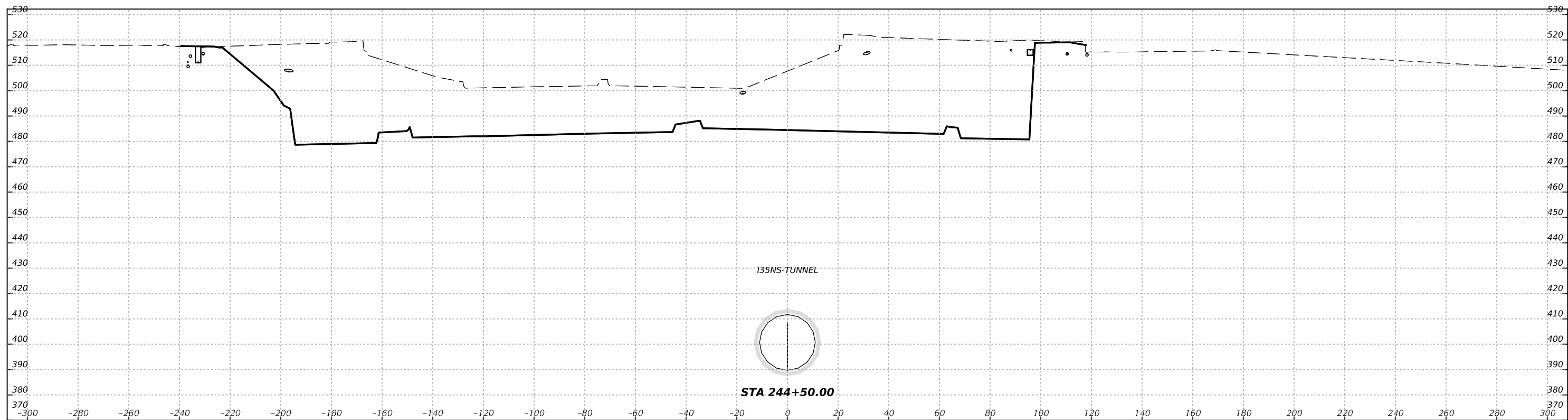
HDR Engineering, Inc.  
 Firm Registration No. F-754  
 710 Hester Crossing, Suite 150  
 Round Rock, Texas 78681



CAPITAL EXPRESS CENTRAL  
 I-35 TUNNEL  
 STA 244+00.00

SCALE: HORIZ: 1"=40'  
 VERT: 1"=40'

CONT	SECT	JOB	HIGHWAY
0015	13	433, ETC.	I-35
DIST COUNTY			SHEET NO.
AUS	TRAVIS		417



NO.	DATE	REVISION	APPR BY



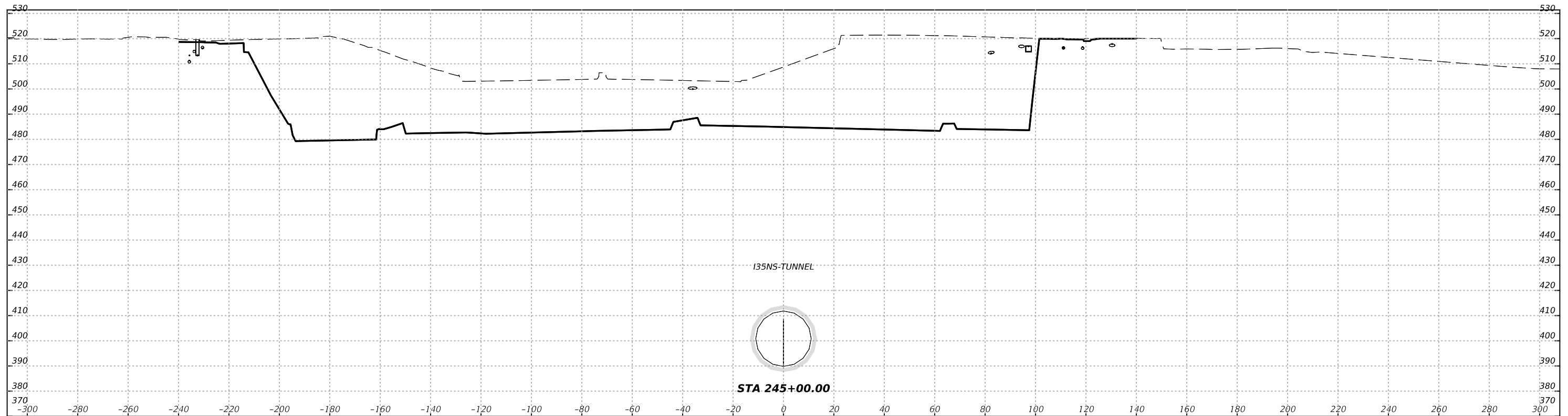
HDR Engineering, Inc.  
 Firm Registration No. F-754  
 710 Hester Crossing, Suite 150  
 Round Rock, Texas 78681



CAPITAL EXPRESS CENTRAL  
 I-35 TUNNEL  
 STA 244+50.00

SCALE: HORIZ: 1"=40'  
 VERT: 1"=40'

CONT	SECT	JOB	HIGHWAY
0015	13	433, ETC.	I-35
DIST COUNTY			SHEET NO.
AUS	TRAVIS		418



NO.	DATE	REVISION	APPR BY



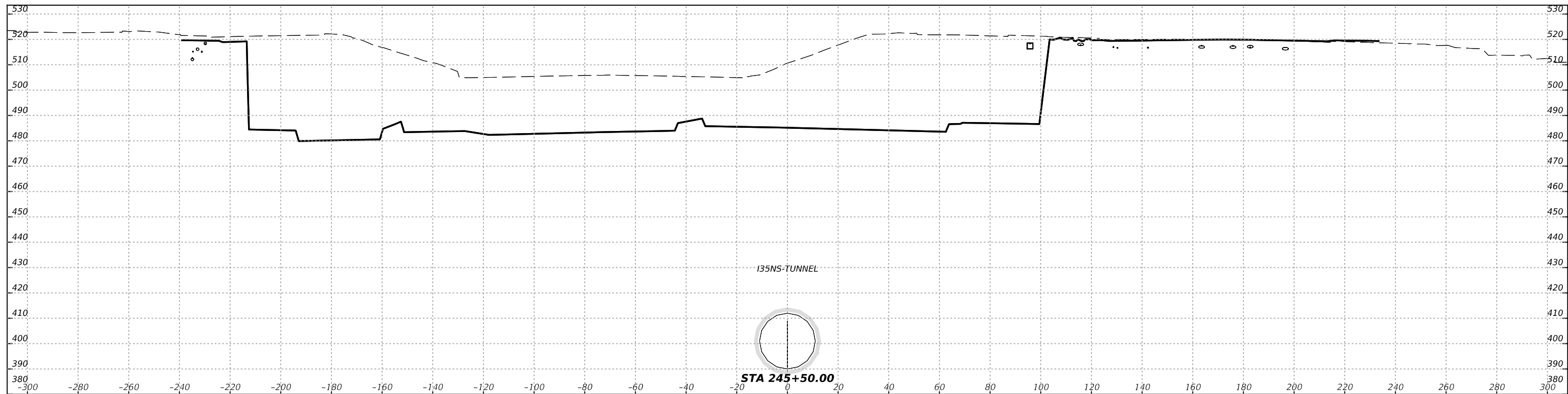
HDR Engineering, Inc.  
 Firm Registration No. F-754  
 710 Hester Crossing, Suite 150  
 Round Rock, Texas 78681



CAPITAL EXPRESS CENTRAL  
 @ I-35 TUNNEL  
 STA 245+00.00

SCALE: HORIZ: 1"=40'  
 VERT: 1"=40'

CONT	SECT	JOB	HIGHWAY
0015	13	433, ETC.	I-35
DIST	COUNTY		SHEET NO.
AUS	TRAVIS		419



NO.	DATE	REVISION	APPR BY



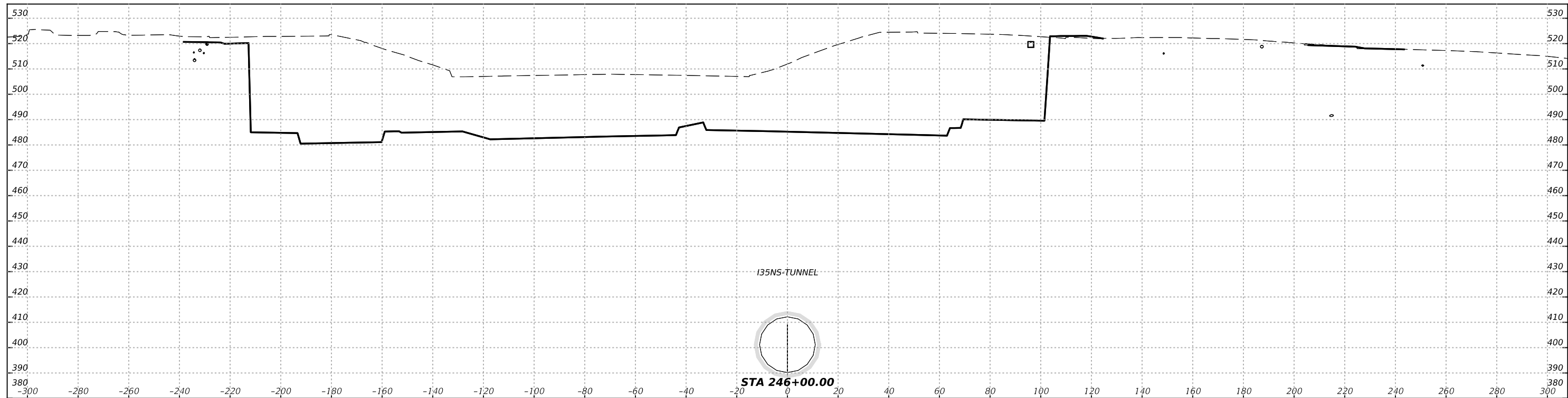
HDR Engineering, Inc.  
 Firm Registration No. F-754  
 710 Hester Crossing, Suite 150  
 Round Rock, Texas 78681



CAPITAL EXPRESS CENTRAL  
 I-35 TUNNEL  
 STA 245+50.00

SCALE: HORIZ: 1"=40'  
 VERT: 1"=40'

CONT	SECT	JOB	HIGHWAY
0015	13	433, ETC.	I-35
DIST	COUNTY		SHEET NO.
AUS	TRAVIS		420



NO.	DATE	REVISION	APPR BY



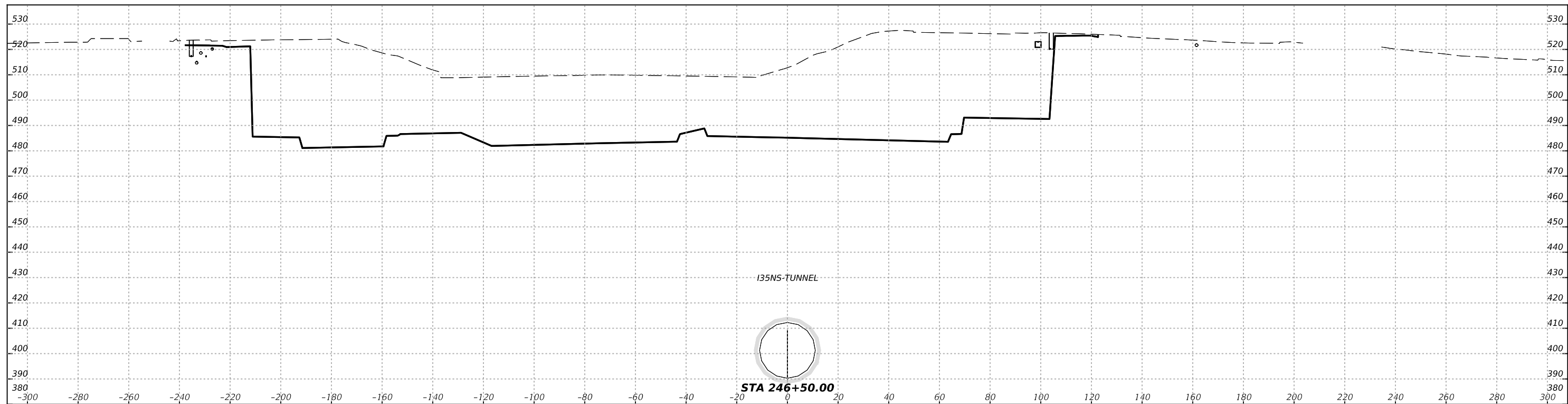
HDR Engineering, Inc.  
 Firm Registration No. F-754  
 710 Hester Crossing, Suite 150  
 Round Rock, Texas 78681



CAPITAL EXPRESS CENTRAL  
 C I-35 TUNNEL  
 STA 246+00.00

SCALE: HORIZ: 1"=40'  
 VERT: 1"=40'

CONT	SECT	JOB	HIGHWAY
0015	13	433, ETC.	I-35
DIST COUNTY			SHEET NO.
AUS	TRAVIS		421



NO.	DATE	REVISION	APPR BY



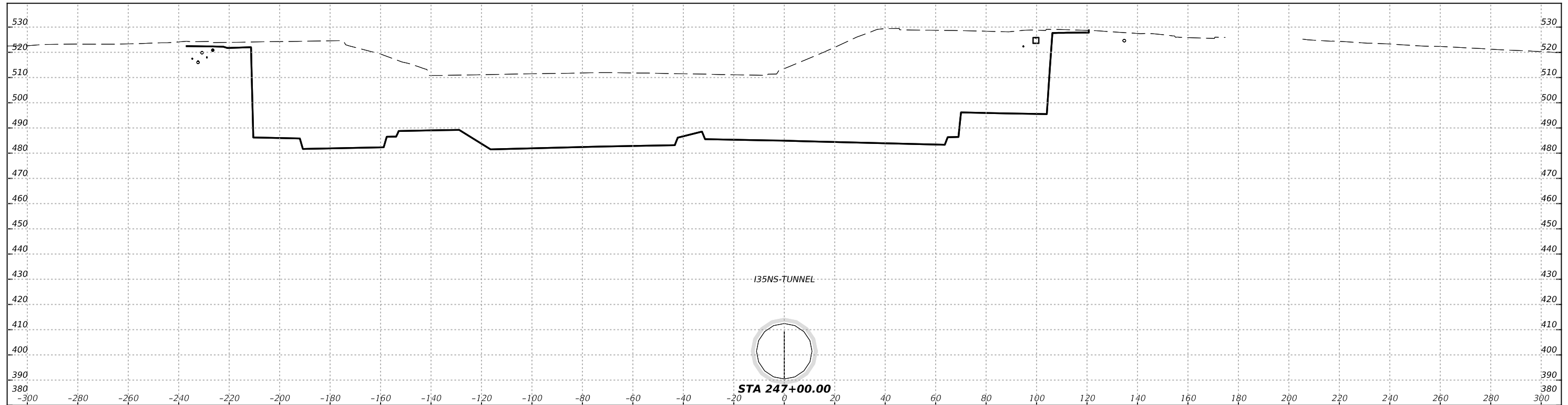
HDR Engineering, Inc.  
 Firm Registration No. F-754  
 710 Hester Crossing, Suite 150  
 Round Rock, Texas 78681



CAPITAL EXPRESS CENTRAL  
 I-35 TUNNEL  
 STA 246+50.00

SCALE: HORIZ: 1"=40'  
 VERT: 1"=40'

CONT	SECT	JOB	HIGHWAY
0015	13	433, ETC.	I-35
DIST	COUNTY		SHEET NO.
AUS	TRAVIS		422



NO.	DATE	REVISION	APPR BY



HDR Engineering, Inc.  
 Firm Registration No. F-754  
 710 Hester Crossing, Suite 150  
 Round Rock, Texas 78681

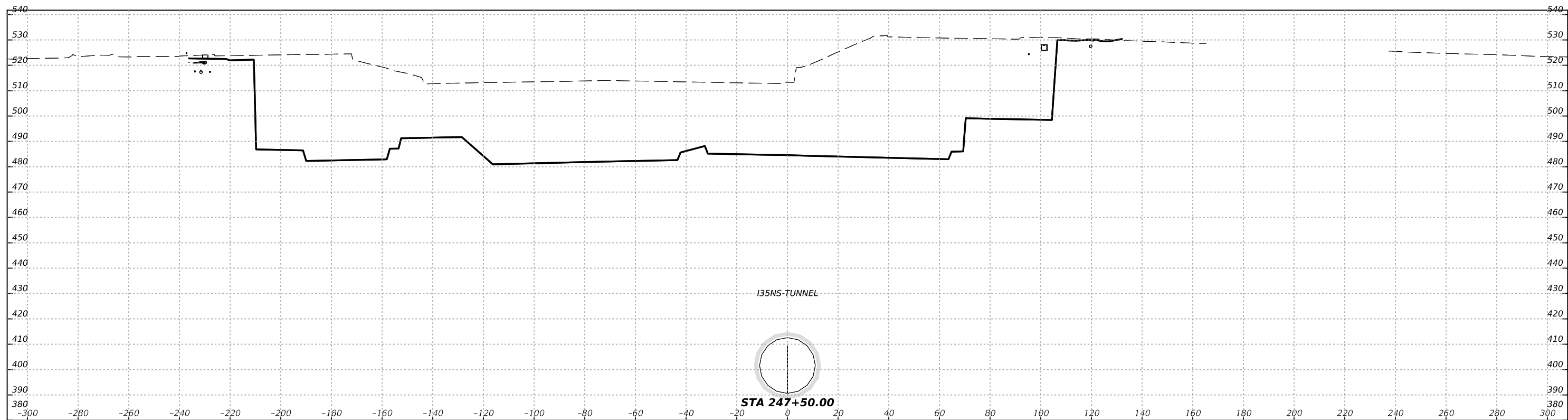


CAPITAL EXPRESS CENTRAL  
 C I-35 TUNNEL  
 STA 247+00.00

SCALE: HORIZ: 1"=40'  
 VERT: 1"=40'

CONT	SECT	JOB	HIGHWAY
0015	13	433, ETC.	I-35
DIST	COUNTY		SHEET NO.
AUS	TRAVIS		423





NO.	DATE	REVISION	APPR BY



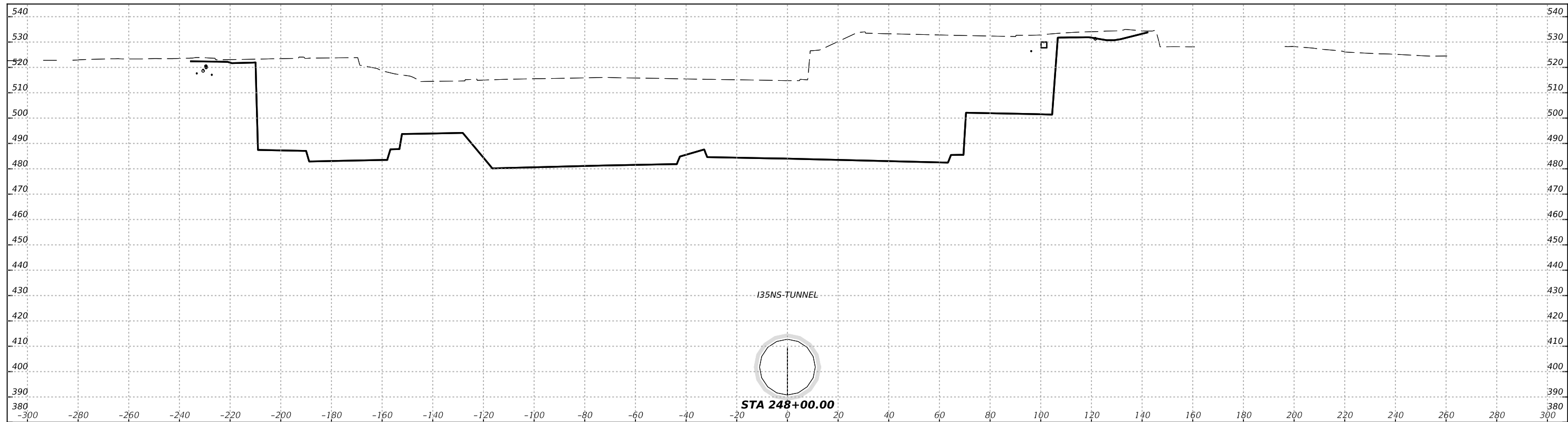
HDR Engineering, Inc.  
 Firm Registration No. F-754  
 710 Hester Crossing, Suite 150  
 Round Rock, Texas 78681



CAPITAL EXPRESS CENTRAL  
 I-35 TUNNEL  
 STA 247+50.00

SCALE: HORIZ: 1"=40'  
 VERT: 1"=40'

CONT	SECT	JOB	HIGHWAY
0015	13	433, ETC.	I-35
DIST	COUNTY		SHEET NO.
AUS	TRAVIS		424



NO.	DATE	REVISION	APPR BY



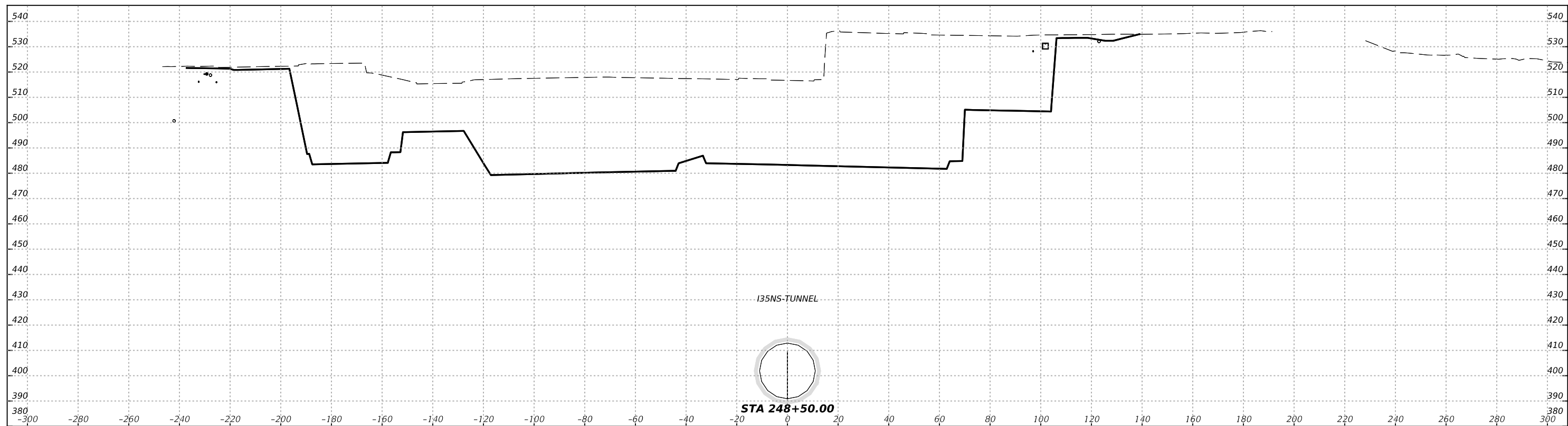
HDR Engineering, Inc.  
 Firm Registration No. F-754  
 710 Hester Crossing, Suite 150  
 Round Rock, Texas 78681



CAPITAL EXPRESS CENTRAL  
 @ I-35 TUNNEL  
 STA 248+00.00

SCALE: HORIZ: 1"=40'  
 VERT: 1"=40'

CONT	SECT	JOB	HIGHWAY
0015	13	433, ETC.	I-35
DIST COUNTY			SHEET NO.
AUS	TRAVIS	425	



NO.	DATE	REVISION	APPR BY



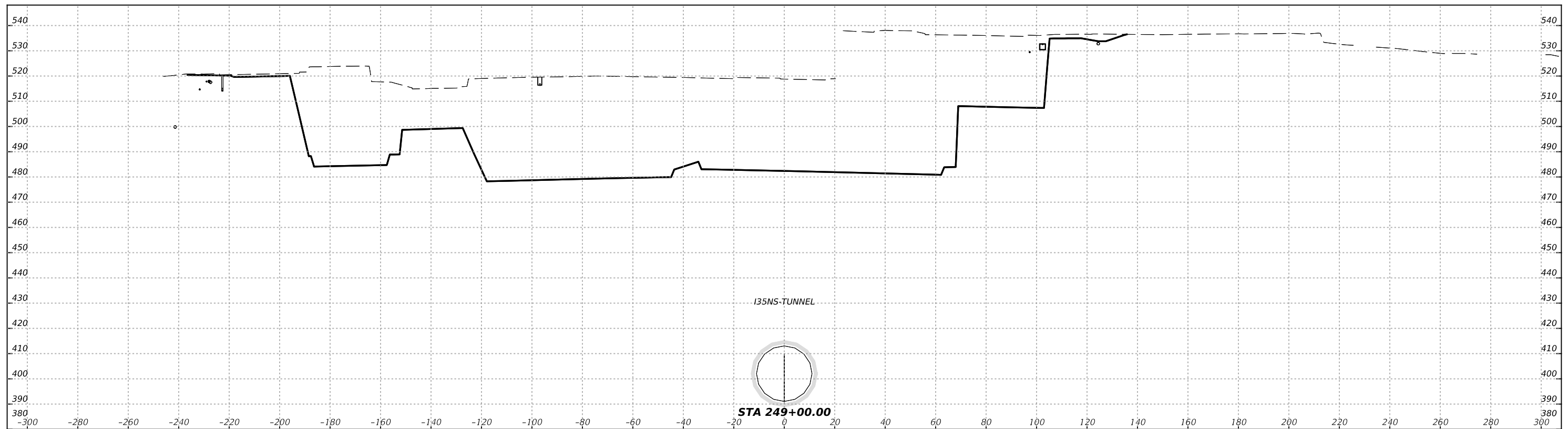
HDR Engineering, Inc.  
 Firm Registration No. F-754  
 710 Hester Crossing, Suite 150  
 Round Rock, Texas 78681



CAPITAL EXPRESS CENTRAL  
 I-35 TUNNEL  
 STA 248+50.00

SCALE: HORIZ: 1"=40'  
 VERT: 1"=40'

CONT	SECT	JOB	HIGHWAY
0015	13	433, ETC.	I-35
DIST	COUNTY		SHEET NO.
AUS	TRAVIS		426



NO.	DATE	REVISION	APPR BY



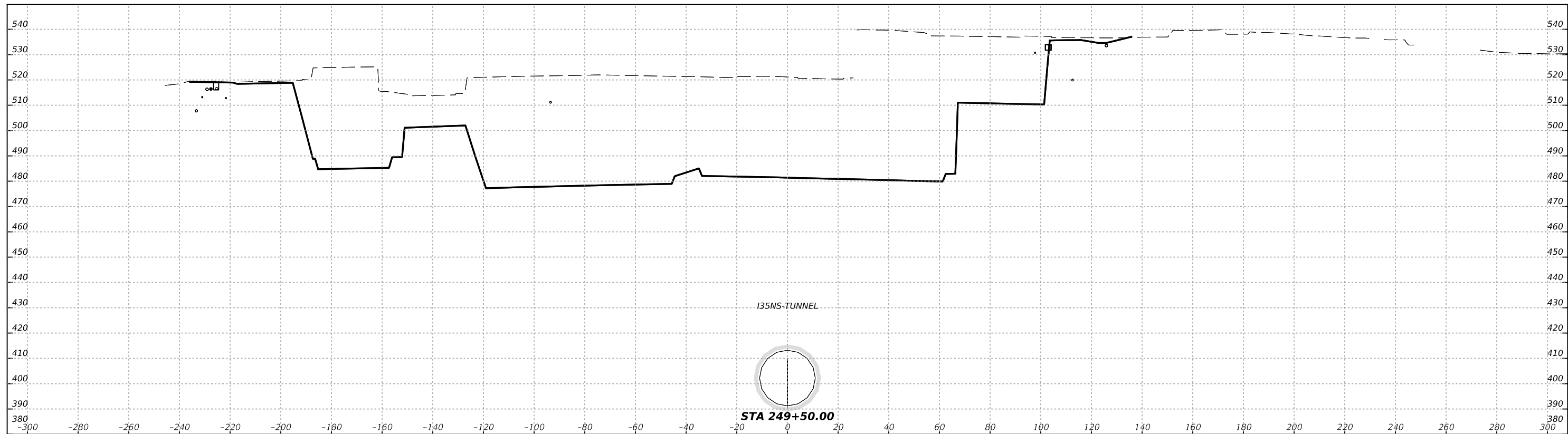
HDR Engineering, Inc.  
 Firm Registration No. F-754  
 710 Hester Crossing, Suite 150  
 Round Rock, Texas 78681



CAPITAL EXPRESS CENTRAL  
 I-35 TUNNEL  
 STA 249+00.00

SCALE: HORIZ: 1"=40'  
 VERT: 1"=40'

CONT	SECT	JOB	HIGHWAY
0015	13	433, ETC.	I-35
DIST COUNTY			SHEET NO.
AUS	TRAVIS		427



NO.	DATE	REVISION	APPR BY



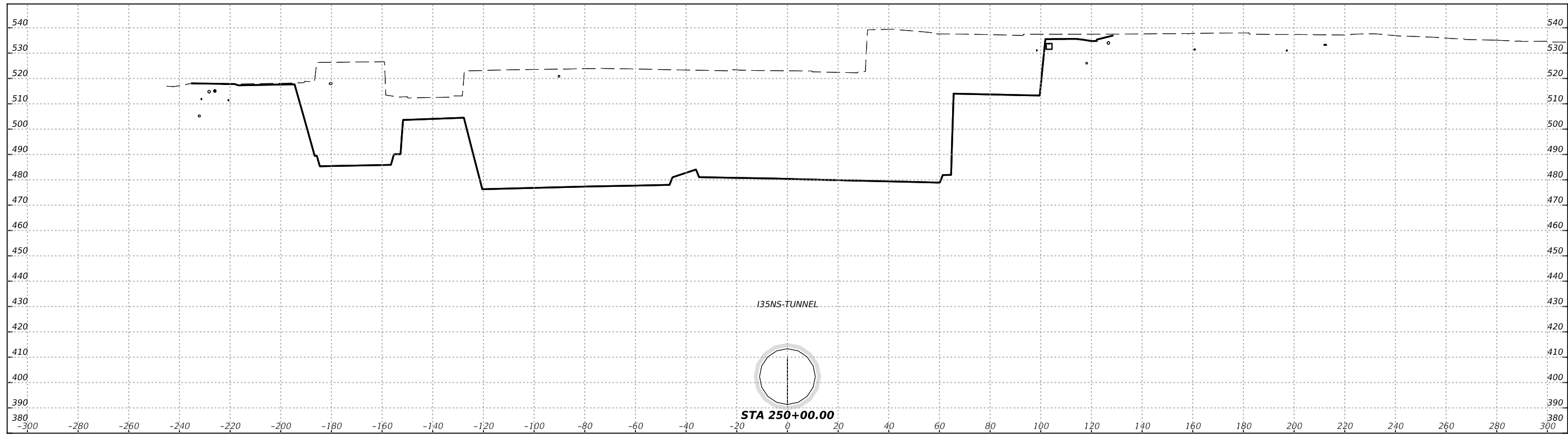
HDR Engineering, Inc.  
 Firm Registration No. F-754  
 710 Hester Crossing, Suite 150  
 Round Rock, Texas 78681



CAPITAL EXPRESS CENTRAL  
 I-35 TUNNEL  
 STA 249+50.00

SCALE: HORIZ: 1"=40'  
 VERT: 1"=40'

CONT	SECT	JOB	HIGHWAY
0015	13	433, ETC.	I-35
DIST	COUNTY		SHEET NO.
AUS	TRAVIS		428



NO.	DATE	REVISION	APPR BY



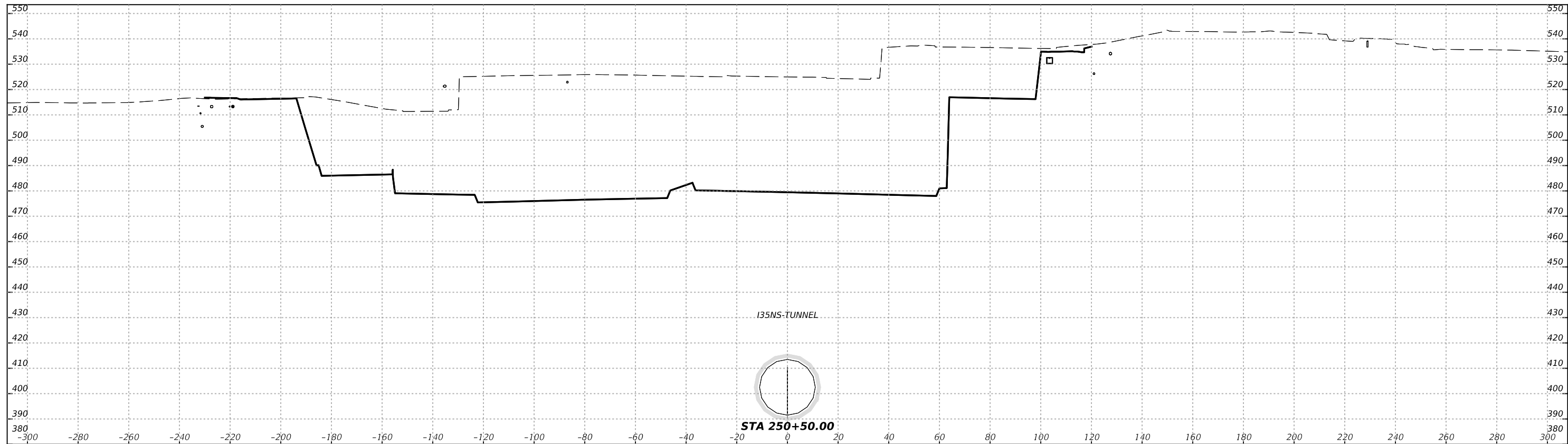
HDR Engineering, Inc.  
 Firm Registration No. F-754  
 710 Hester Crossing, Suite 150  
 Round Rock, Texas 78681



CAPITAL EXPRESS CENTRAL  
 I-35 TUNNEL  
 STA 250+00.00

SCALE: HORIZ: 1"=40'  
 VERT: 1"=40'

CONT	SECT	JOB	HIGHWAY
0015	13	433, ETC.	I-35
DIST COUNTY			SHEET NO.
AUS	TRAVIS		429



NO.	DATE	REVISION	APPR BY



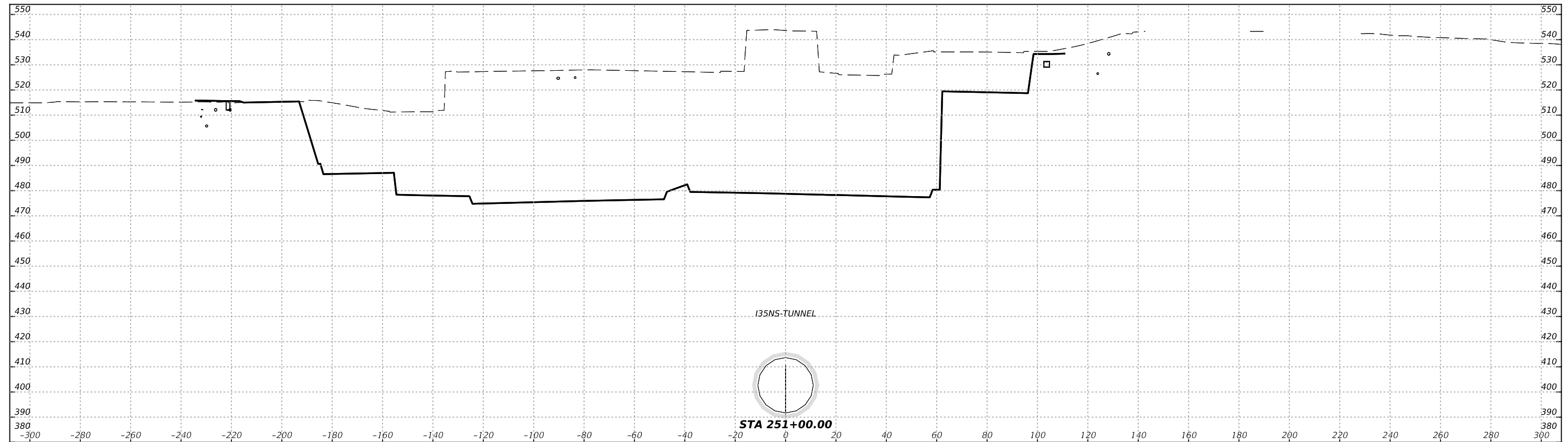
HDR Engineering, Inc.  
 Firm Registration No. F-754  
 710 Hester Crossing, Suite 150  
 Round Rock, Texas 78681



CAPITAL EXPRESS CENTRAL  
 I-35 TUNNEL  
 STA 250+50.00

SCALE: HORIZ: 1"=40'  
 VERT: 1"=40'

CONT	SECT	JOB	HIGHWAY
0015	13	433, ETC.	I-35
DIST COUNTY			SHEET NO.
AUS	TRAVIS		430



NO.	DATE	REVISION	APPR BY



HDR Engineering, Inc.  
 Firm Registration No. F-754  
 710 Hester Crossing, Suite 150  
 Round Rock, Texas 78681

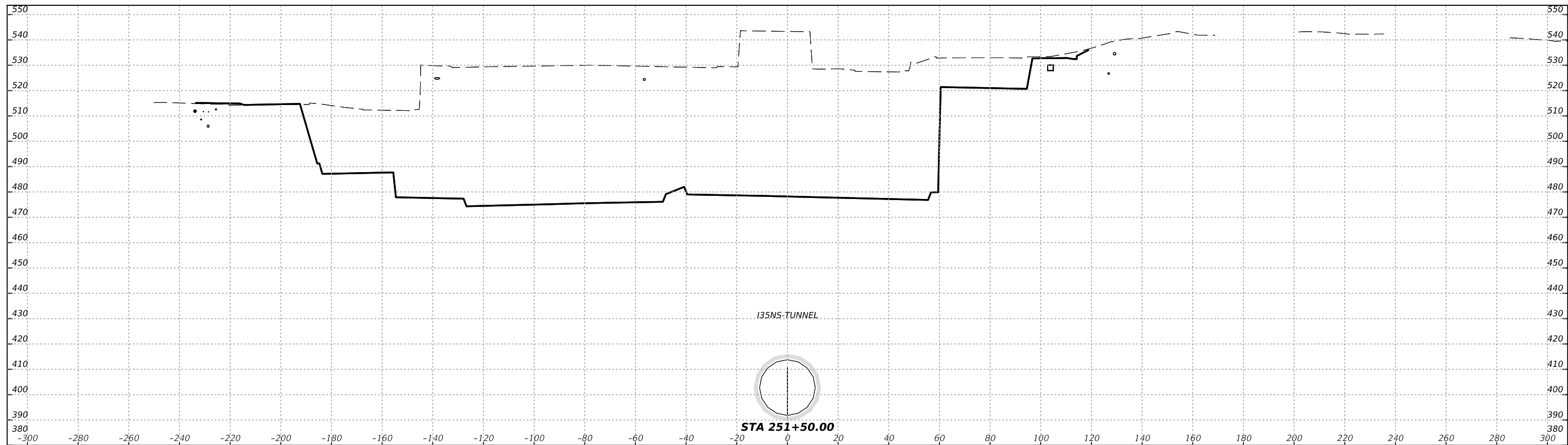


CAPITAL EXPRESS CENTRAL  
 I-35 TUNNEL  
 STA 251+00.00

SCALE: HORIZ: 1"=40'  
 VERT: 1"=40'

CONT	SECT	JOB	HIGHWAY
0015	13	433, ETC.	I-35
DIST COUNTY			SHEET NO.
AUS	TRAVIS		431





NO.	DATE	REVISION	APPR BY



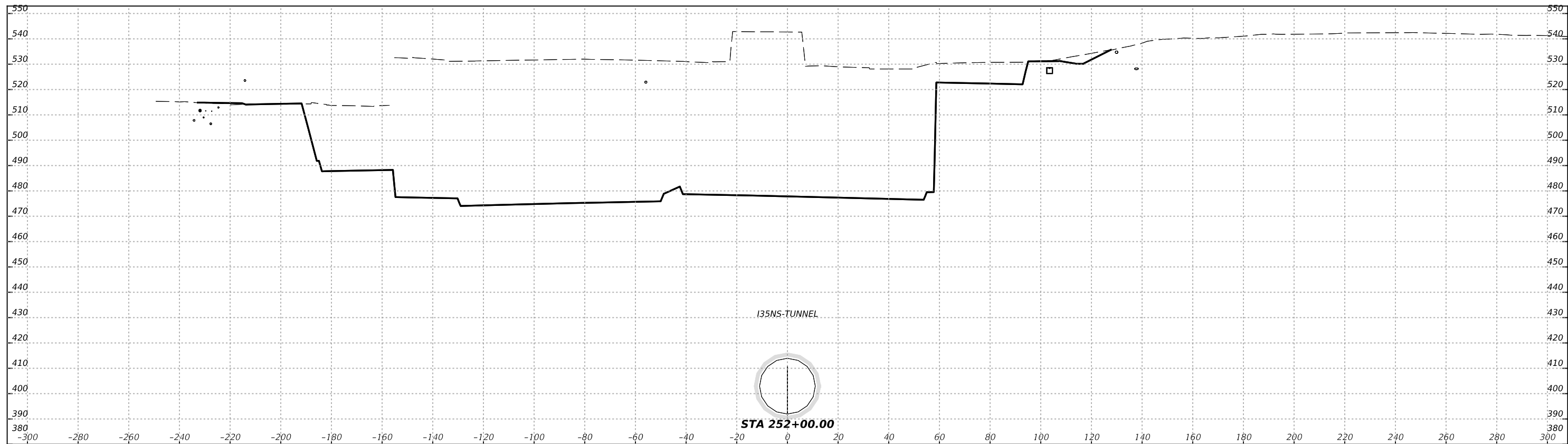
HDR Engineering, Inc.  
 Firm Registration No. F-754  
 710 Hester Crossing, Suite 150  
 Round Rock, Texas 78681



CAPITAL EXPRESS CENTRAL  
 I-35 TUNNEL  
 STA 251+50.00

SCALE: HORIZ: 1"=40'  
 VERT: 1"=40'

CONT	SECT	JOB	HIGHWAY
0015	13	433, ETC.	I-35
DIST COUNTY			SHEET NO.
AUS	TRAVIS		432



NO.	DATE	REVISION	APPR BY



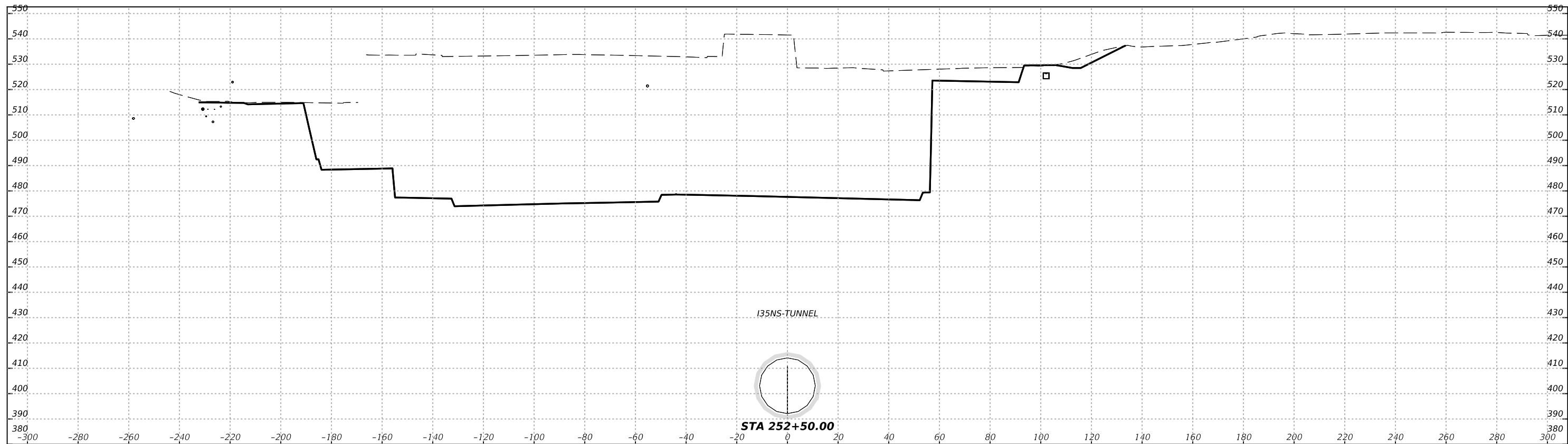
HDR Engineering, Inc.  
 Firm Registration No. F-754  
 710 Hester Crossing, Suite 150  
 Round Rock, Texas 78681



CAPITAL EXPRESS CENTRAL  
 I-35 TUNNEL  
 STA 252+00.00

SCALE: HORIZ: 1"=40'  
 VERT: 1"=40'

CONT	SECT	JOB	HIGHWAY
0015	13	433, ETC.	I-35
DIST COUNTY			SHEET NO.
AUS	TRAVIS		433



NO.	DATE	REVISION	APPR BY



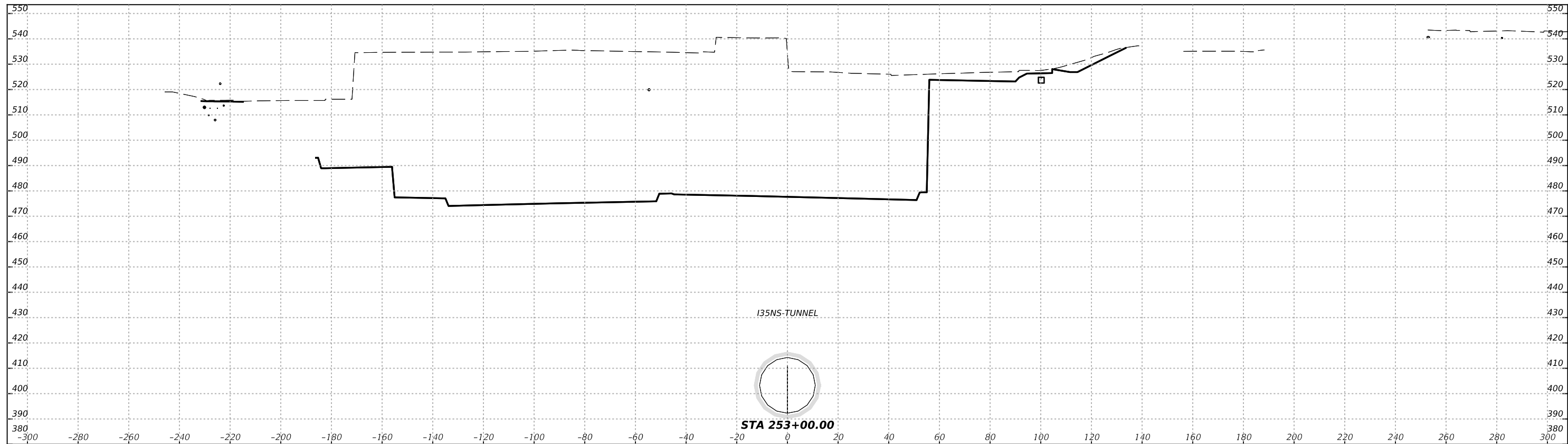
HDR Engineering, Inc.  
 Firm Registration No. F-754  
 710 Hester Crossing, Suite 150  
 Round Rock, Texas 78681



CAPITAL EXPRESS CENTRAL  
 I-35 TUNNEL  
 STA 252+50.00

SCALE: HORIZ: 1"=40'  
 VERT: 1"=40'

CONT	SECT	JOB	HIGHWAY
0015	13	433, ETC.	I-35
DIST	COUNTY	SHEET NO.	
AUS	TRAVIS	434	



NO.	DATE	REVISION	APPR BY



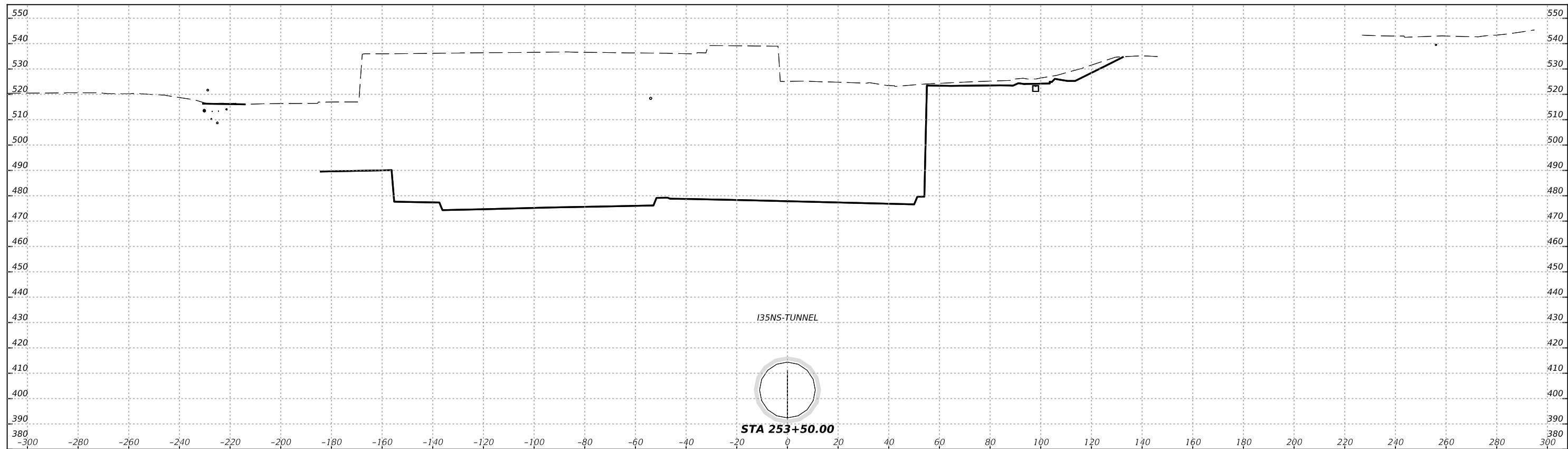
HDR Engineering, Inc.  
 Firm Registration No. F-754  
 710 Hester Crossing, Suite 150  
 Round Rock, Texas 78681



CAPITAL EXPRESS CENTRAL  
 I-35 TUNNEL  
 STA 253+00.00

SCALE: HORIZ: 1"=40'  
 VERT: 1"=40'

CONT	SECT	JOB	HIGHWAY
0015	13	433, ETC.	I-35
DIST	COUNTY	SHEET NO.	
AUS	TRAVIS	435	



NO.	DATE	REVISION	APPR BY



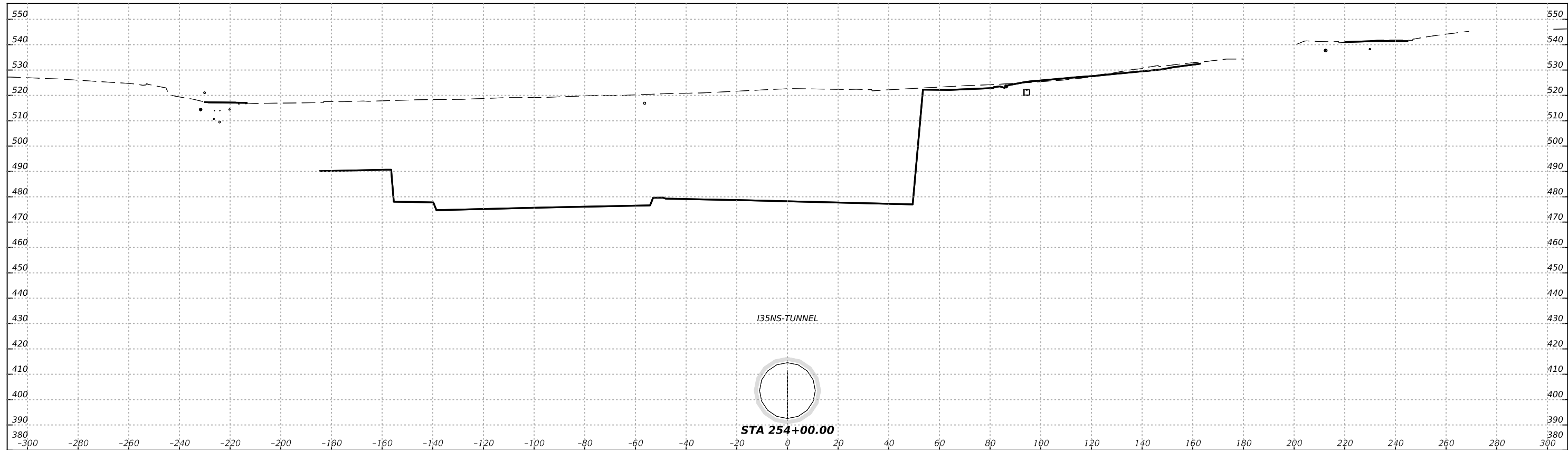
HDR Engineering, Inc.  
 Firm Registration No. F-754  
 710 Hester Crossing, Suite 150  
 Round Rock, Texas 78681



CAPITAL EXPRESS CENTRAL  
 I-35 TUNNEL  
 STA 253+50.00

SCALE: HORIZ: 1"=40'  
 VERT: 1"=40'

CONT	SECT	JOB	HIGHWAY
0015	13	433, ETC.	I-35
DIST	COUNTY		SHEET NO.
AUS	TRAVIS		436



NO.	DATE	REVISION	APPR BY



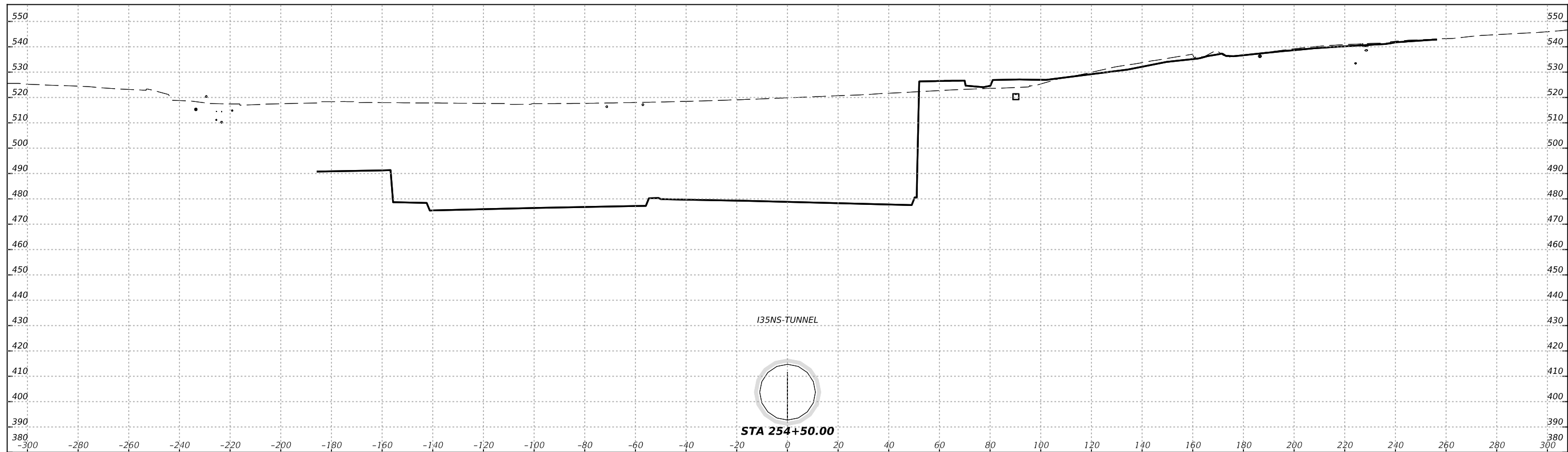
HDR Engineering, Inc.  
 Firm Registration No. F-754  
 710 Hester Crossing, Suite 150  
 Round Rock, Texas 78681



CAPITAL EXPRESS CENTRAL  
 I-35 TUNNEL  
 STA 254+00.00

SCALE: HORIZ: 1"=40'  
 VERT: 1"=40'

CONT	SECT	JOB	HIGHWAY
0015	13	433, ETC.	I-35
DIST	COUNTY		SHEET NO.
AUS	TRAVIS		437



NO.	DATE	REVISION	APPR BY



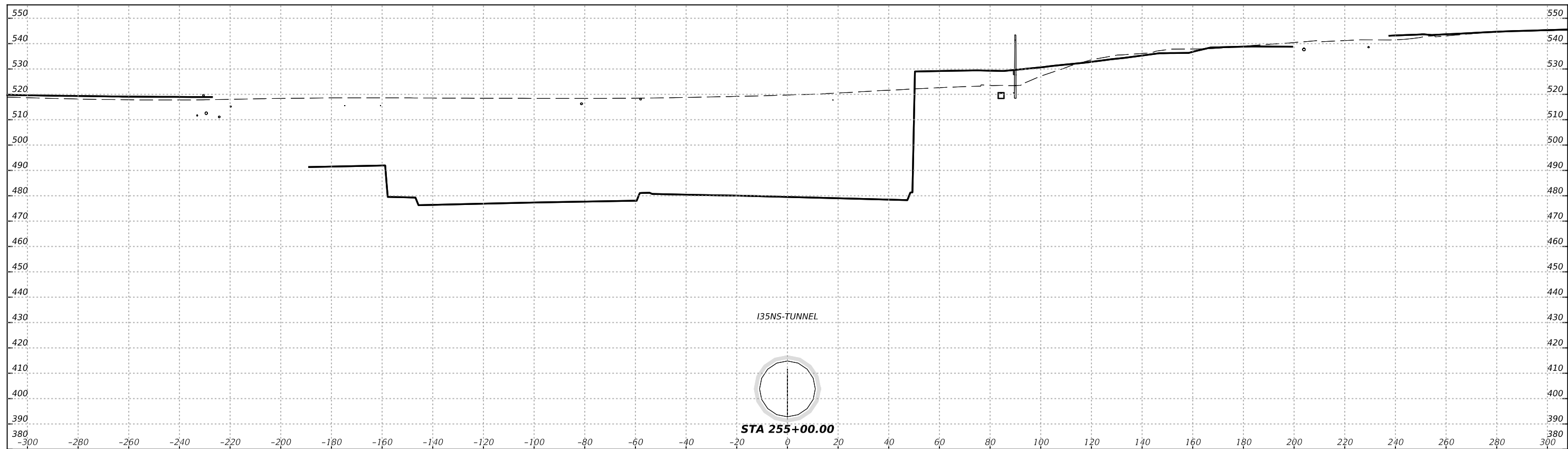
HDR Engineering, Inc.  
 Firm Registration No. F-754  
 710 Hester Crossing, Suite 150  
 Round Rock, Texas 78681



CAPITAL EXPRESS CENTRAL  
 I-35 TUNNEL  
 STA 254+50.00

SCALE: HORIZ: 1"=40'  
 VERT: 1"=40'

CONT	SECT	JOB	HIGHWAY
0015	13	433, ETC.	I-35
DIST	COUNTY		SHEET NO.
AUS	TRAVIS		438



NO.	DATE	REVISION	APPR BY



HDR Engineering, Inc.  
 Firm Registration No. F-754  
 710 Hester Crossing, Suite 150  
 Round Rock, Texas 78681

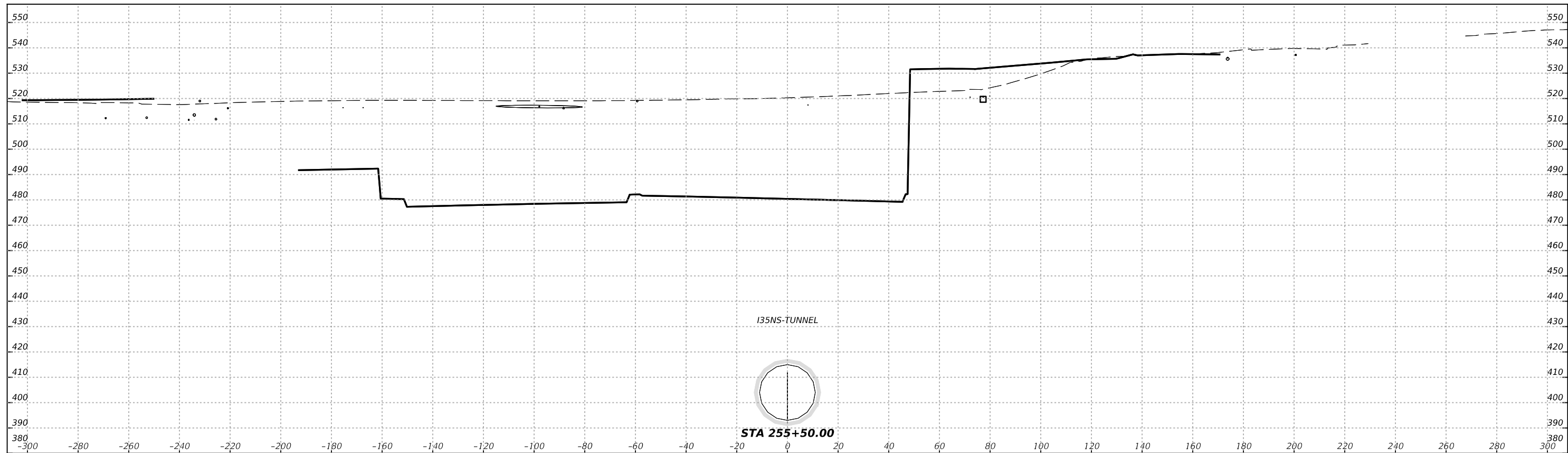


CAPITAL EXPRESS CENTRAL  
 I-35 TUNNEL  
 STA 255+00.00

SCALE: HORIZ: 1"=40'  
 VERT: 1"=40'

CONT	SECT	JOB	HIGHWAY
0015	13	433, ETC.	I-35
DIST COUNTY			SHEET NO.
AUS	TRAVIS		439





NO.	DATE	REVISION	APPR BY



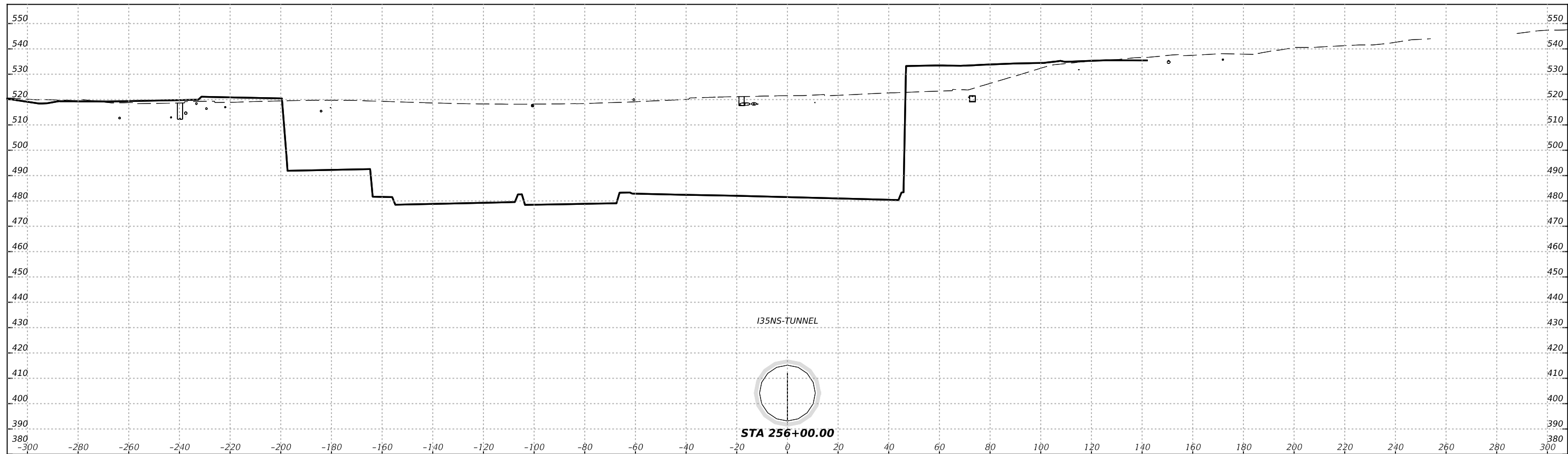
HDR Engineering, Inc.  
 Firm Registration No. F-754  
 710 Hester Crossing, Suite 150  
 Round Rock, Texas 78681



CAPITAL EXPRESS CENTRAL  
 I-35 TUNNEL  
 STA 255+50.00

SCALE: HORIZ: 1"=40'  
 VERT: 1"=40'

CONT	SECT	JOB	HIGHWAY
0015	13	433, ETC.	I-35
DIST	COUNTY		SHEET NO.
AUS	TRAVIS		440



NO.	DATE	REVISION	APPR BY



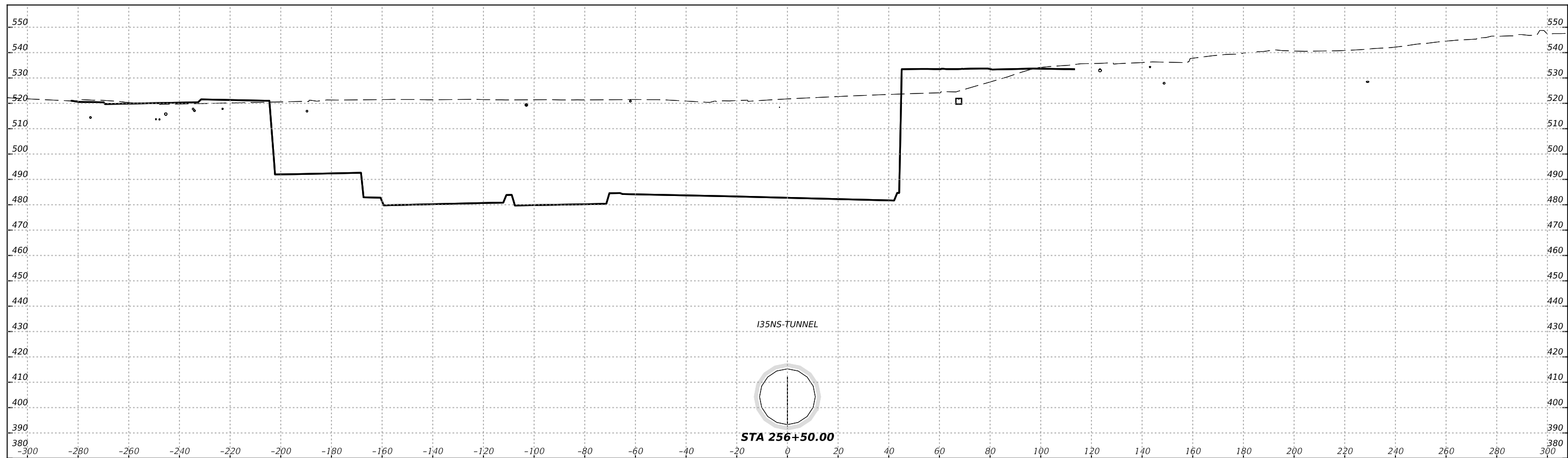
HDR Engineering, Inc.  
 Firm Registration No. F-754  
 710 Hester Crossing, Suite 150  
 Round Rock, Texas 78681



CAPITAL EXPRESS CENTRAL  
 I-35 TUNNEL  
 STA 256+00.00

SCALE: HORIZ: 1"=40'  
 VERT: 1"=40'

CONT	SECT	JOB	HIGHWAY
0015	13	433, ETC.	I-35
DIST COUNTY			SHEET NO.
AUS	TRAVIS		441



NO.	DATE	REVISION	APPR BY



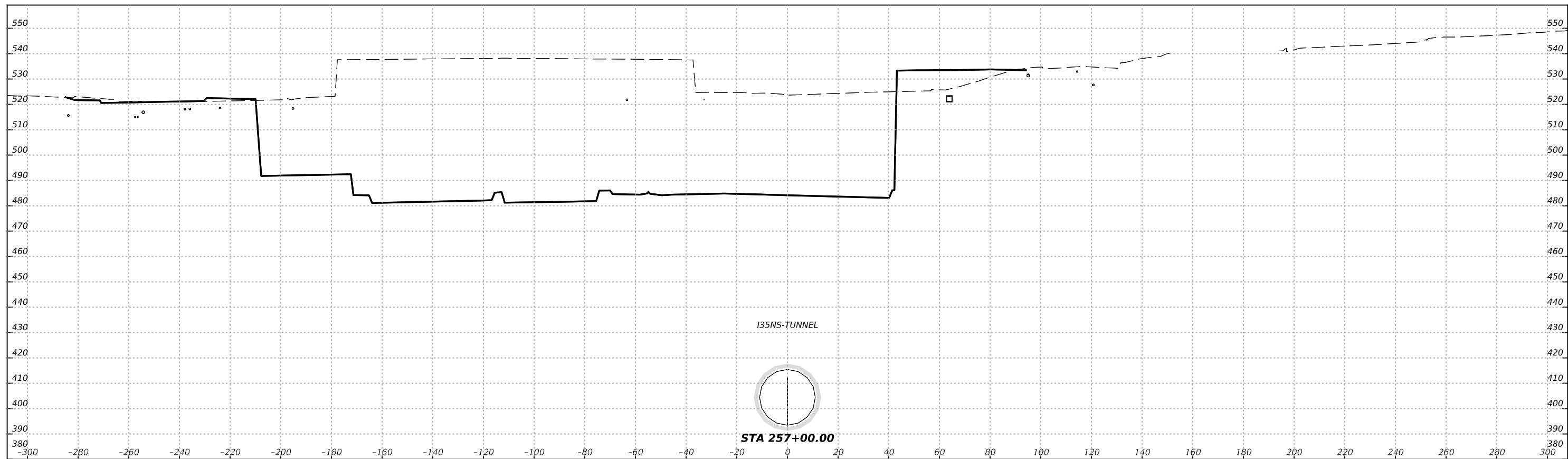
HDR Engineering, Inc.  
 Firm Registration No. F-754  
 710 Hester Crossing, Suite 150  
 Round Rock, Texas 78681



CAPITAL EXPRESS CENTRAL  
 I-35 TUNNEL  
 STA 256+50.00

SCALE: HORIZ: 1"=40'  
 VERT: 1"=40'

CONT	SECT	JOB	HIGHWAY
0015	13	433, ETC.	I-35
DIST	COUNTY	SHEET NO.	
AUS	TRAVIS	442	



NO.	DATE	REVISION	APPR BY



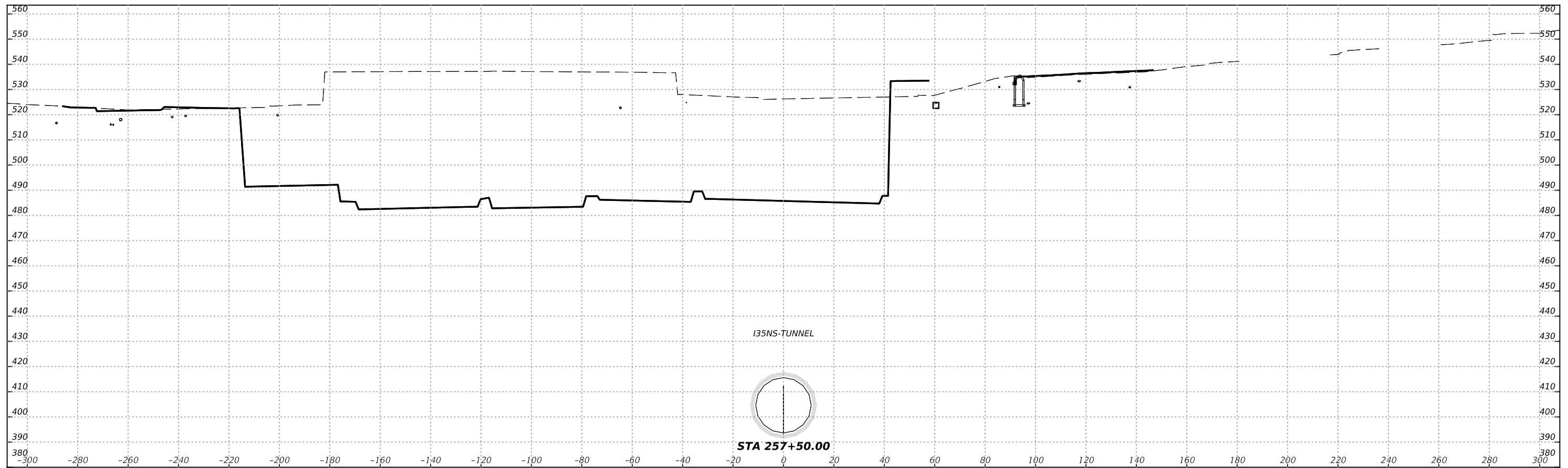
HDR Engineering, Inc.  
 Firm Registration No. F-754  
 710 Hester Crossing, Suite 150  
 Round Rock, Texas 78681



CAPITAL EXPRESS CENTRAL  
 @ I-35 TUNNEL  
 STA 257+00.00

SCALE: HORIZ: 1"=40'  
 VERT: 1"=40'

CONT	SECT	JOB	HIGHWAY
0015	13	433, ETC.	I-35
DIST	COUNTY		SHEET NO.
AUS	TRAVIS		443



NO.	DATE	REVISION	APPR BY



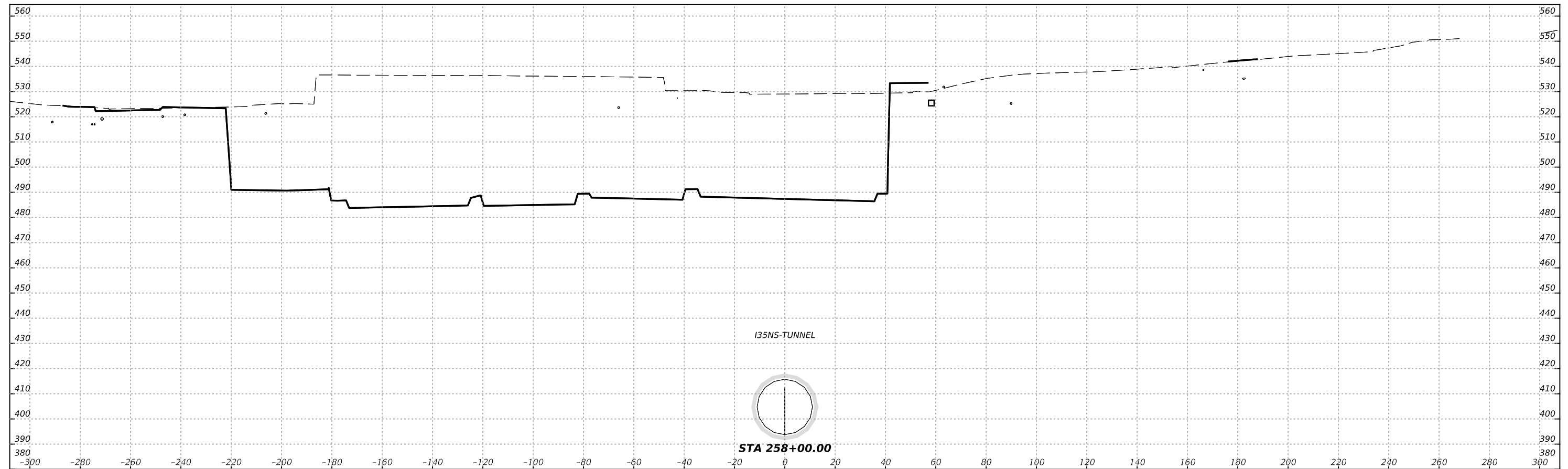
HDR Engineering, Inc.  
 Firm Registration No. F-754  
 710 Hester Crossing, Suite 150  
 Round Rock, Texas 78681



CAPITAL EXPRESS CENTRAL  
 @ I-35 TUNNEL  
 STA 257+50.00

SCALE: HORIZ: 1"=40'  
 VERT: 1"=40'

CONT	SECT	JOB	HIGHWAY
0015	13	433, ETC.	I-35
DIST			SHEET NO.
AUS	TRAVIS		444



NO.	DATE	REVISION	APPR BY



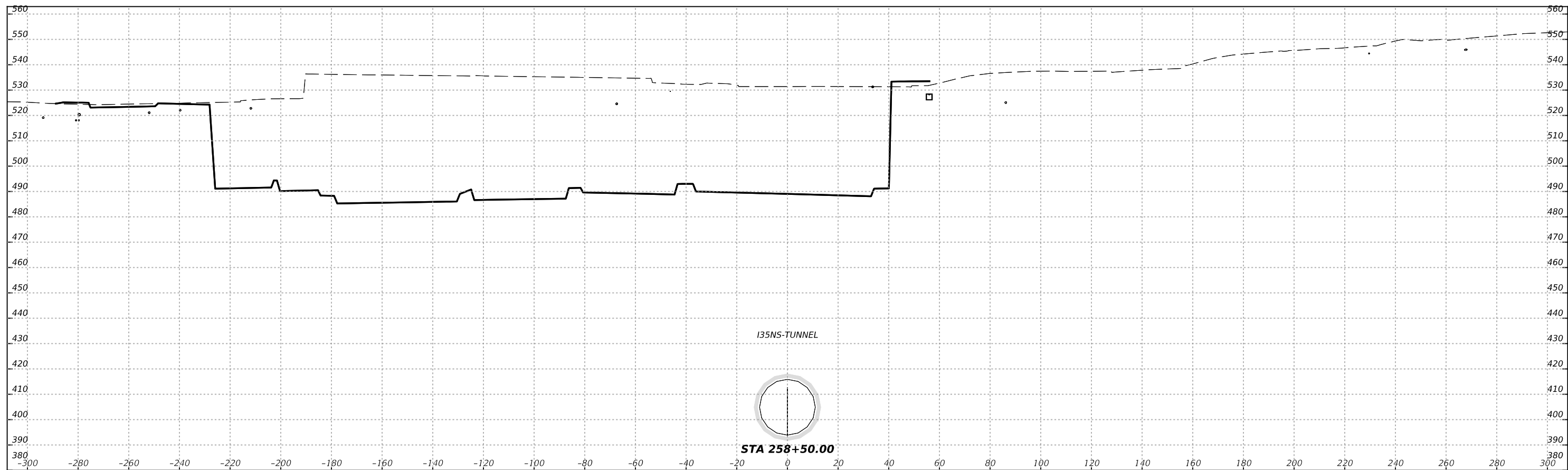
HDR Engineering, Inc.  
 Firm Registration No. F-754  
 710 Hester Crossing, Suite 150  
 Round Rock, Texas 78681



CAPITAL EXPRESS CENTRAL  
 I-35 TUNNEL  
 STA 258+00.00

SCALE: HORIZ: 1"=40'  
 VERT: 1"=40'

CONT	SECT	JOB	HIGHWAY
0015	13	433, ETC.	I-35
DIST	COUNTY		SHEET NO.
AUS	TRAVIS		445



NO.	DATE	REVISION	APPR BY



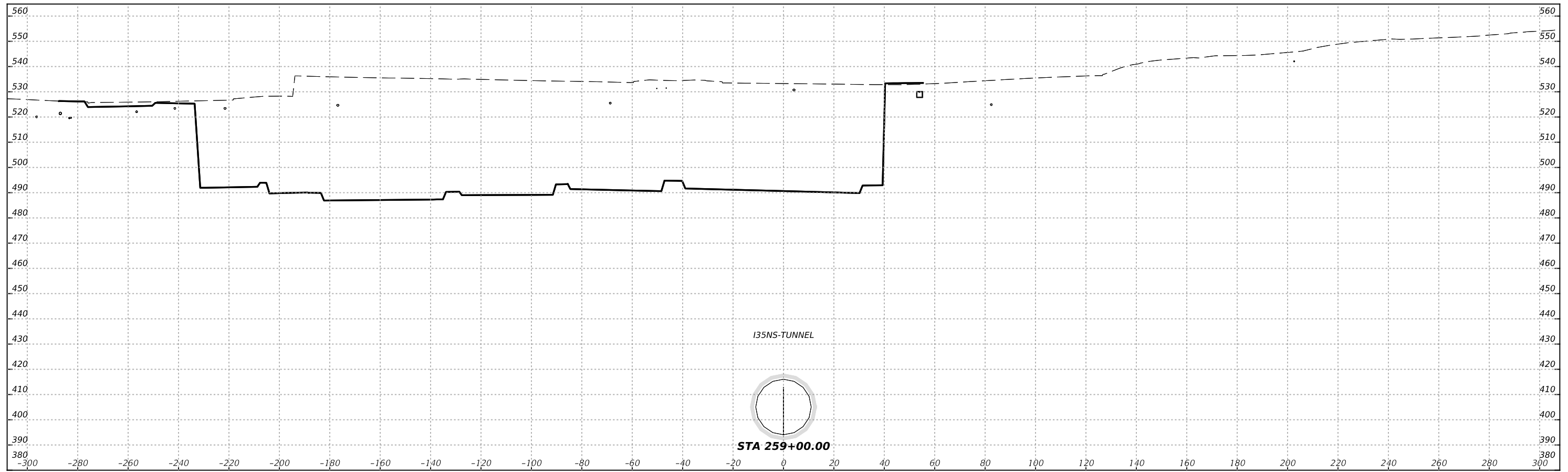
HDR Engineering, Inc.  
 Firm Registration No. F-754  
 710 Hester Crossing, Suite 150  
 Round Rock, Texas 78681



CAPITAL EXPRESS CENTRAL  
 @ I-35 TUNNEL  
 STA 258+50.00

SCALE: HORIZ: 1"=40'  
 VERT: 1"=40'

CONT	SECT	JOB	HIGHWAY
0015	13	433, ETC.	I-35
DIST	COUNTY		SHEET NO.
AUS	TRAVIS		446



NO.	DATE	REVISION	APPR BY



HDR Engineering, Inc.  
 Firm Registration No. F-754  
 710 Hester Crossing, Suite 150  
 Round Rock, Texas 78681

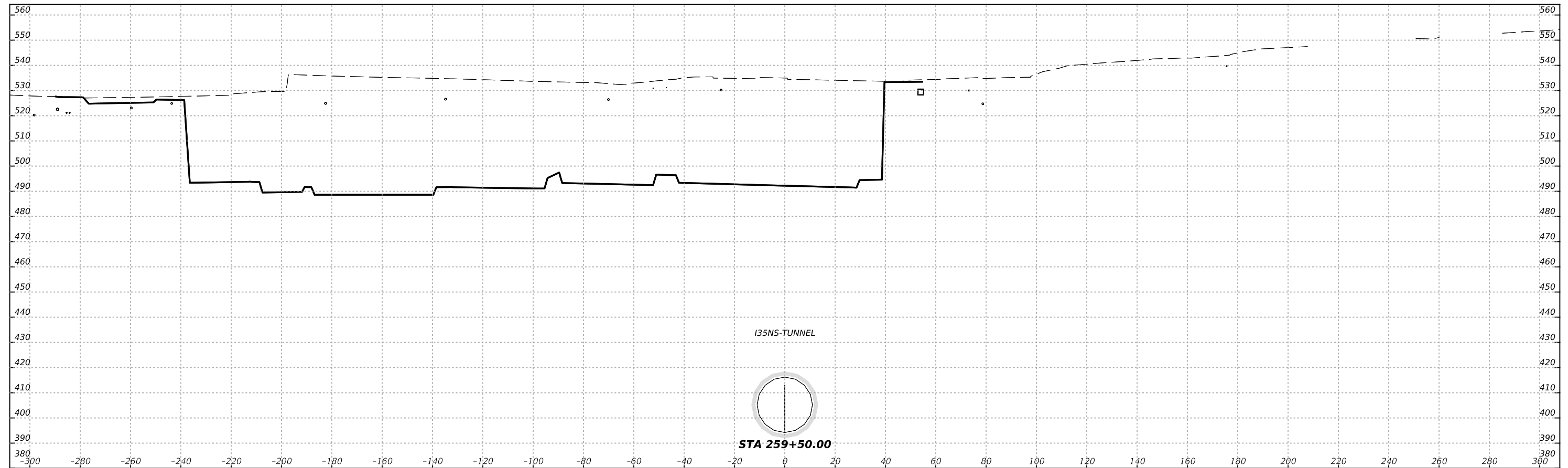


CAPITAL EXPRESS CENTRAL  
 I-35 TUNNEL  
 STA 259+00.00

SCALE: HORIZ: 1"=40'  
 VERT: 1"=40'

CONT	SECT	JOB	HIGHWAY
0015	13	433, ETC.	I-35
DIST COUNTY			SHEET NO.
AUS	TRAVIS		447





NO.	DATE	REVISION	APPR BY



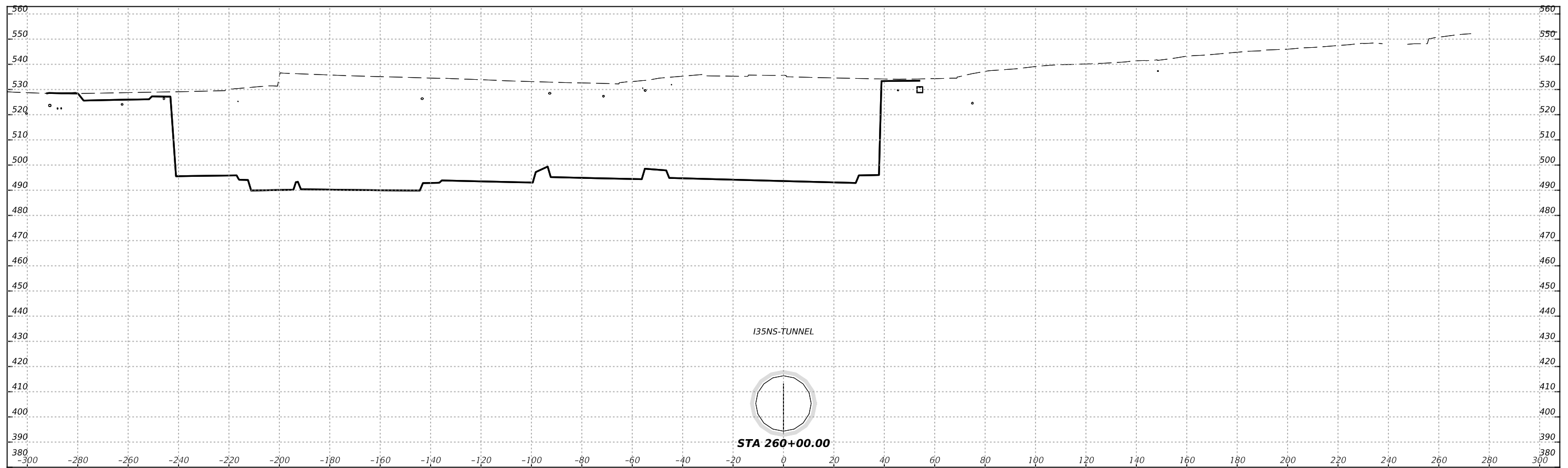
HDR Engineering, Inc.  
 Firm Registration No. F-754  
 710 Hester Crossing, Suite 150  
 Round Rock, Texas 78681



CAPITAL EXPRESS CENTRAL  
 I-35 TUNNEL  
 STA 259+50.00

SCALE: HORIZ: 1"=40'  
 VERT: 1"=40'

CONT	SECT	JOB	HIGHWAY
0015	13	433, ETC.	I-35
DIST	COUNTY		SHEET NO.
AUS	TRAVIS		448



NO.	DATE	REVISION	APPR BY



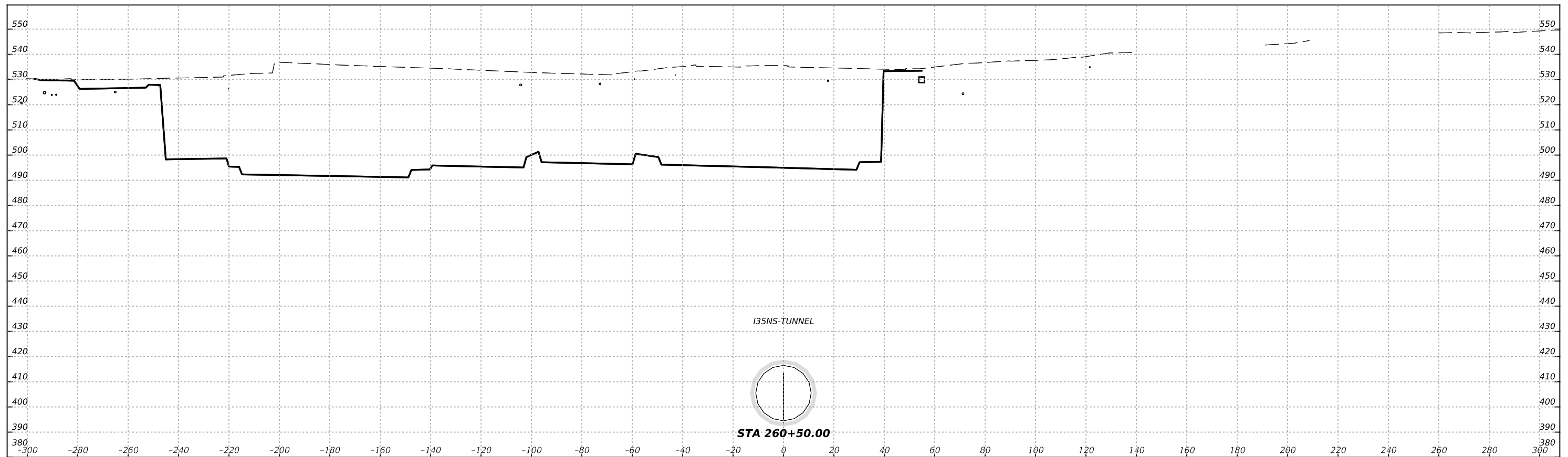
HDR Engineering, Inc.  
 Firm Registration No. F-754  
 710 Hester Crossing, Suite 150  
 Round Rock, Texas 78681



CAPITAL EXPRESS CENTRAL  
 I-35 TUNNEL  
 STA 260+00.00

SCALE: HORIZ: 1"=40'  
 VERT: 1"=40'

CONT	SECT	JOB	HIGHWAY
0015	13	433, ETC.	I-35
DIST	COUNTY		SHEET NO.
AUS	TRAVIS		449



NO.	DATE	REVISION	APPR BY



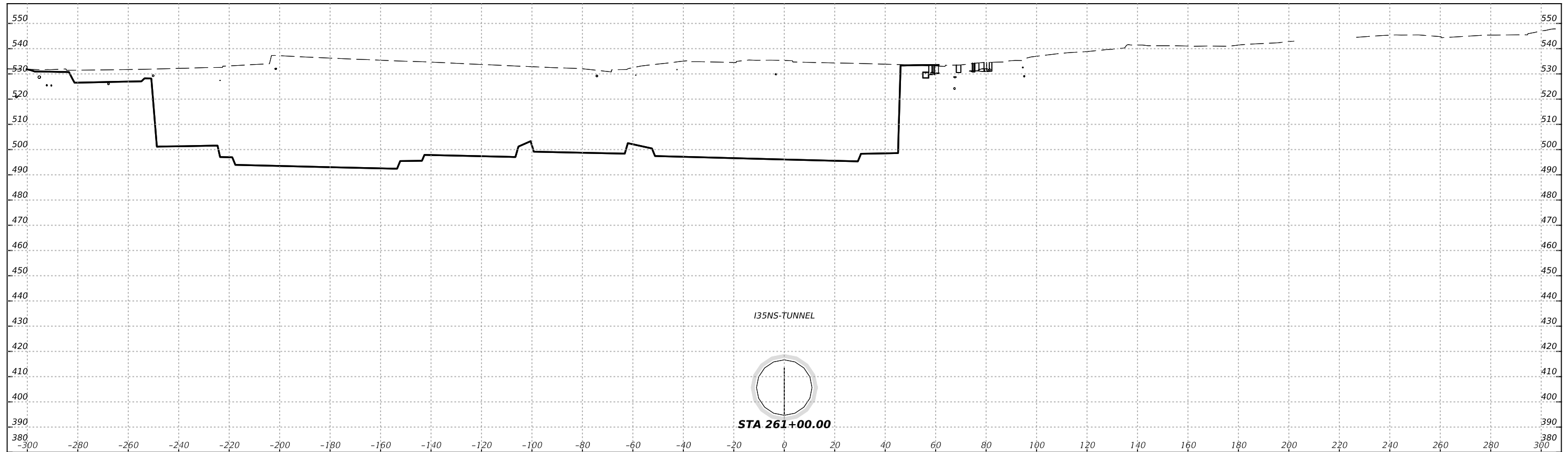
HDR Engineering, Inc.  
 Firm Registration No. F-754  
 710 Hester Crossing, Suite 150  
 Round Rock, Texas 78681



CAPITAL EXPRESS CENTRAL  
 I-35 TUNNEL  
 STA 260+50.00

SCALE: HORIZ: 1"=40'  
 VERT: 1"=40'

CONT	SECT	JOB	HIGHWAY
0015	13	433, ETC.	I-35
DIST COUNTY			SHEET NO.
AUS	TRAVIS		450



NO.	DATE	REVISION	APPR BY



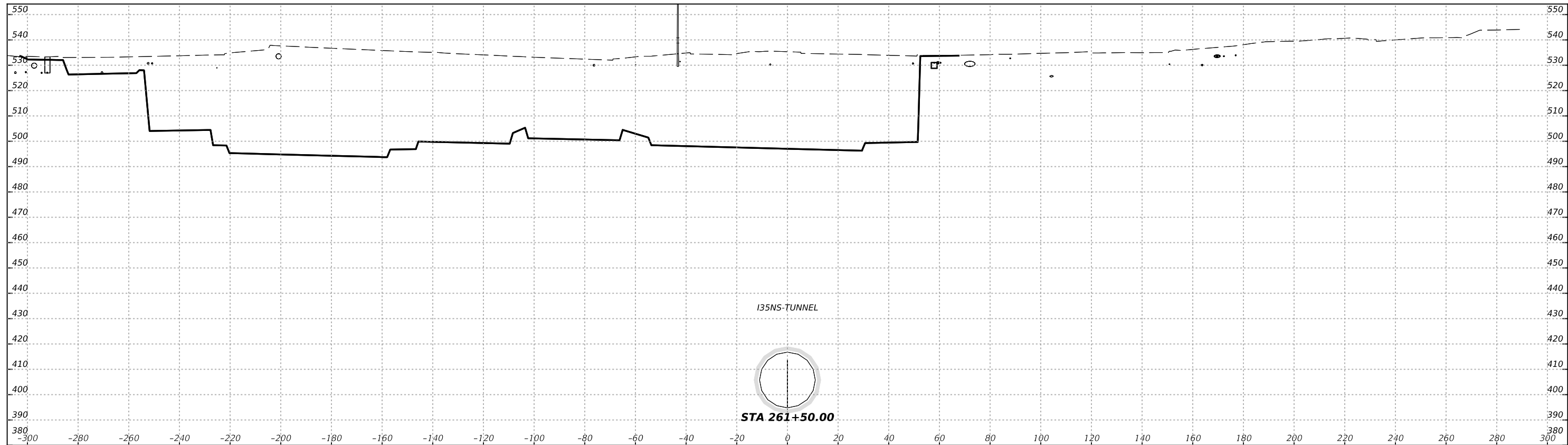
HDR Engineering, Inc.  
 Firm Registration No. F-754  
 710 Hester Crossing, Suite 150  
 Round Rock, Texas 78681



CAPITAL EXPRESS CENTRAL  
 I-35 TUNNEL  
 STA 261+00.00

SCALE: HORIZ: 1"=40'  
 VERT: 1"=40'

CONT	SECT	JOB	HIGHWAY
0015	13	433, ETC.	I-35
DIST	COUNTY		SHEET NO.
AUS	TRAVIS		451



NO.	DATE	REVISION	APPR BY



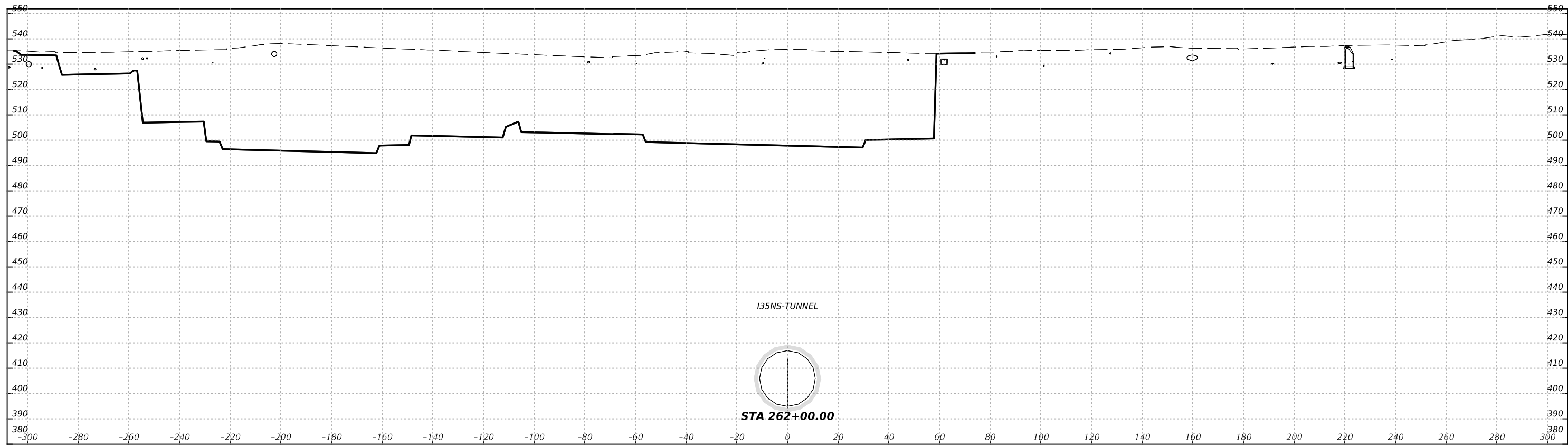
HDR Engineering, Inc.  
 Firm Registration No. F-754  
 710 Hester Crossing, Suite 150  
 Round Rock, Texas 78681



CAPITAL EXPRESS CENTRAL  
 I-35 TUNNEL  
 STA 261+50.00

SCALE: HORIZ: 1"=40'  
 VERT: 1"=40'

CONT	SECT	JOB	HIGHWAY
0015	13	433, ETC.	I-35
DIST	COUNTY		SHEET NO.
AUS	TRAVIS		452



NO.	DATE	REVISION	APPR BY



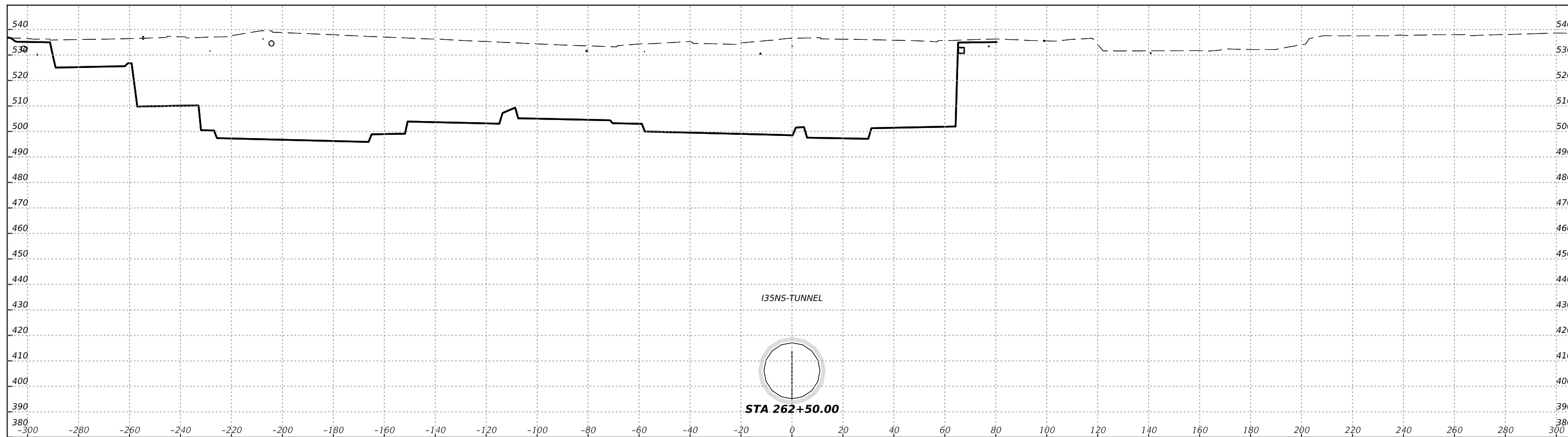
HDR Engineering, Inc.  
 Firm Registration No. F-754  
 710 Hester Crossing, Suite 150  
 Round Rock, Texas 78681



CAPITAL EXPRESS CENTRAL  
 I-35 TUNNEL  
 STA 262+00.00

SCALE: HORIZ: 1"=40'  
 VERT: 1"=40'

CONT	SECT	JOB	HIGHWAY
0015	13	433, ETC.	I-35
DIST	COUNTY		SHEET NO.
AUS	TRAVIS		453



NO.	DATE	REVISION	APPR BY



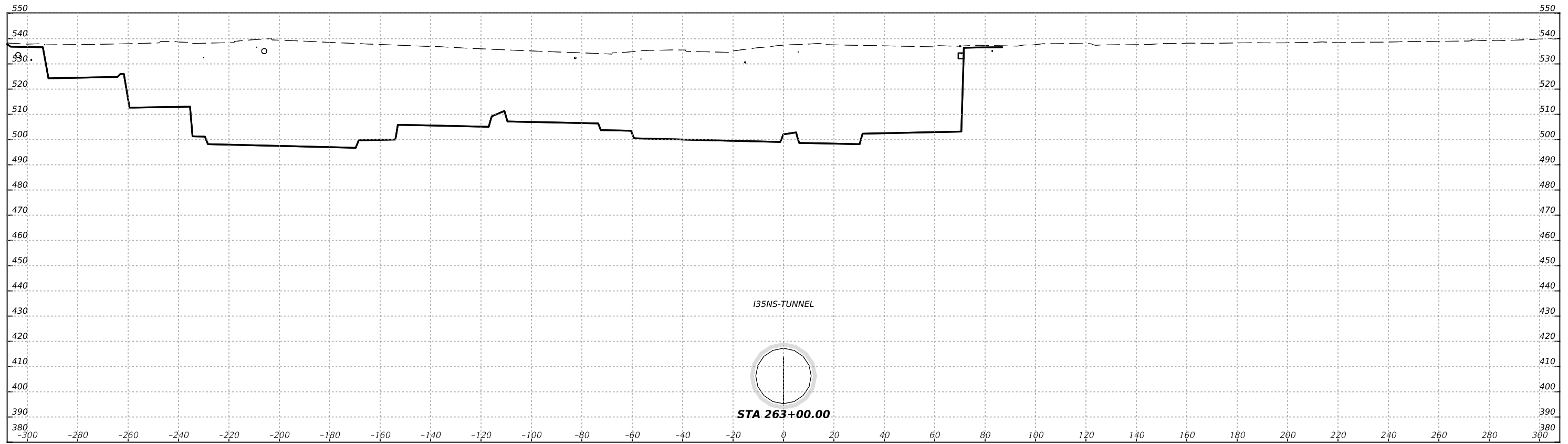
HDR Engineering, Inc.  
 Firm Registration No. F-754  
 710 Hester Crossing, Suite 150  
 Round Rock, Texas 78681



CAPITAL EXPRESS CENTRAL  
 I-35 TUNNEL  
 STA 262+50.00

SCALE: HORIZ: 1"=40'  
 VERT: 1"=40'

CONT	SECT	JOB	HIGHWAY
0015	13	433, ETC.	I-35
DIST	COUNTY		SHEET NO.
AUS	TRAVIS		454



NO.	DATE	REVISION	APPR BY

**HDR**  
 HDR Engineering, Inc.  
 Firm Registration No. F-754  
 710 Hester Crossing, Suite 150  
 Round Rock, Texas 78681

**mobility** CAPITAL AREA  
 35

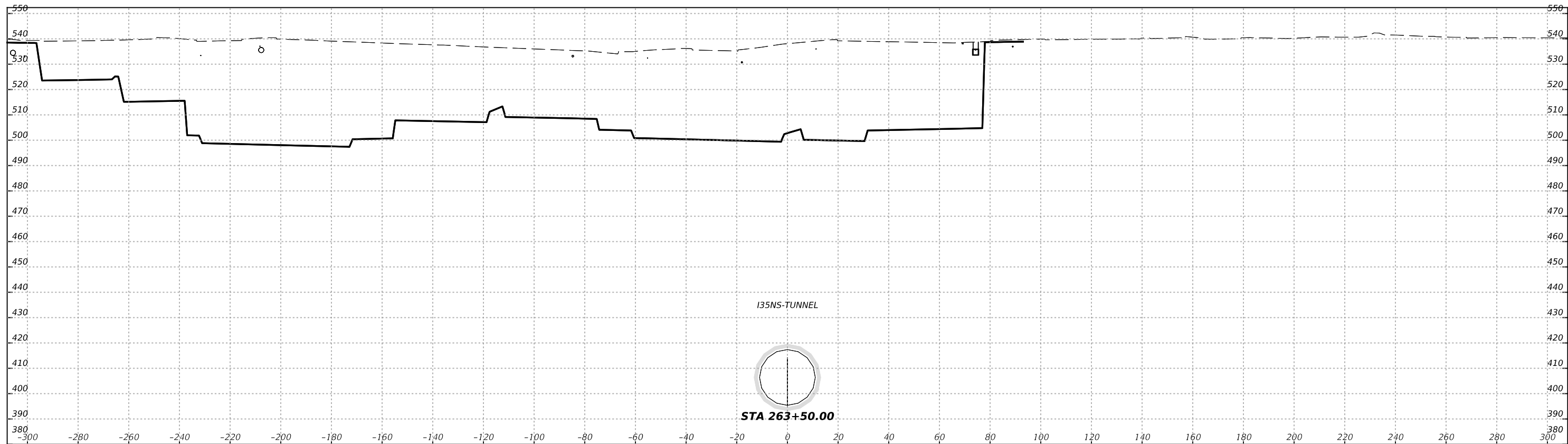
**Texas Department of Transportation**  
 © 2023

**CAPITAL EXPRESS CENTRAL**  
 I-35 TUNNEL  
 STA 263+00.00

SCALE: HORIZ: 1"=40'  
 VERT: 1"=40'

CONT	SECT	JOB	HIGHWAY
0015	13	433, ETC.	I-35
DIST	COUNTY		SHEET NO.
AUS	TRAVIS		455





NO.	DATE	REVISION	APPR BY



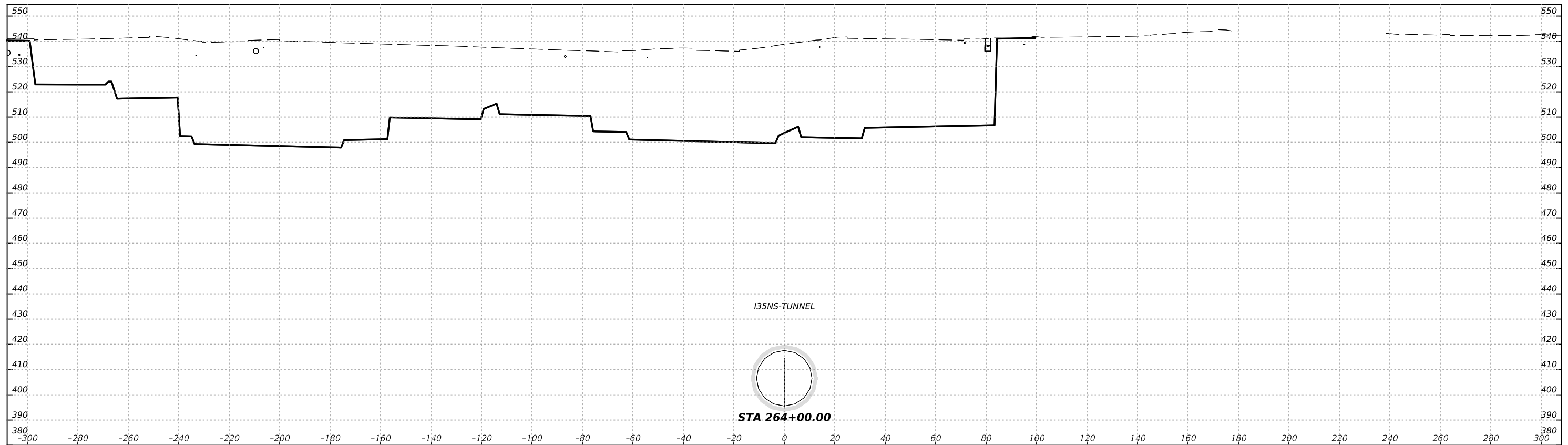
HDR Engineering, Inc.  
 Firm Registration No. F-754  
 710 Hester Crossing, Suite 150  
 Round Rock, Texas 78681



CAPITAL EXPRESS CENTRAL  
 I-35 TUNNEL  
 STA 263+50.00

SCALE: HORIZ: 1"=40'  
 VERT: 1"=40'

CONT	SECT	JOB	HIGHWAY
0015	13	433, ETC.	I-35
DIST			SHEET NO.
AUS	TRAVIS		456



NO.	DATE	REVISION	APPR BY



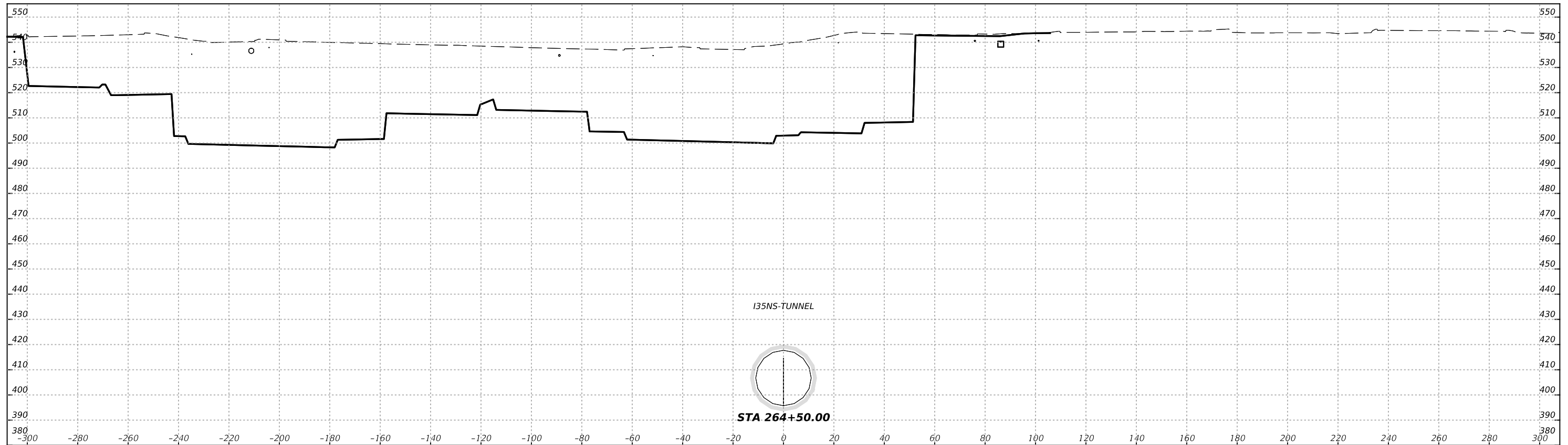
HDR Engineering, Inc.  
 Firm Registration No. F-754  
 710 Hester Crossing, Suite 150  
 Round Rock, Texas 78681



CAPITAL EXPRESS CENTRAL  
 I-35 TUNNEL  
 STA 264+00.00

SCALE: HORIZ: 1"=40'  
 VERT: 1"=40'

CONT	SECT	JOB	HIGHWAY
0015	13	433, ETC.	I-35
DIST COUNTY			SHEET NO.
AUS	TRAVIS		457



NO.	DATE	REVISION	APPR BY



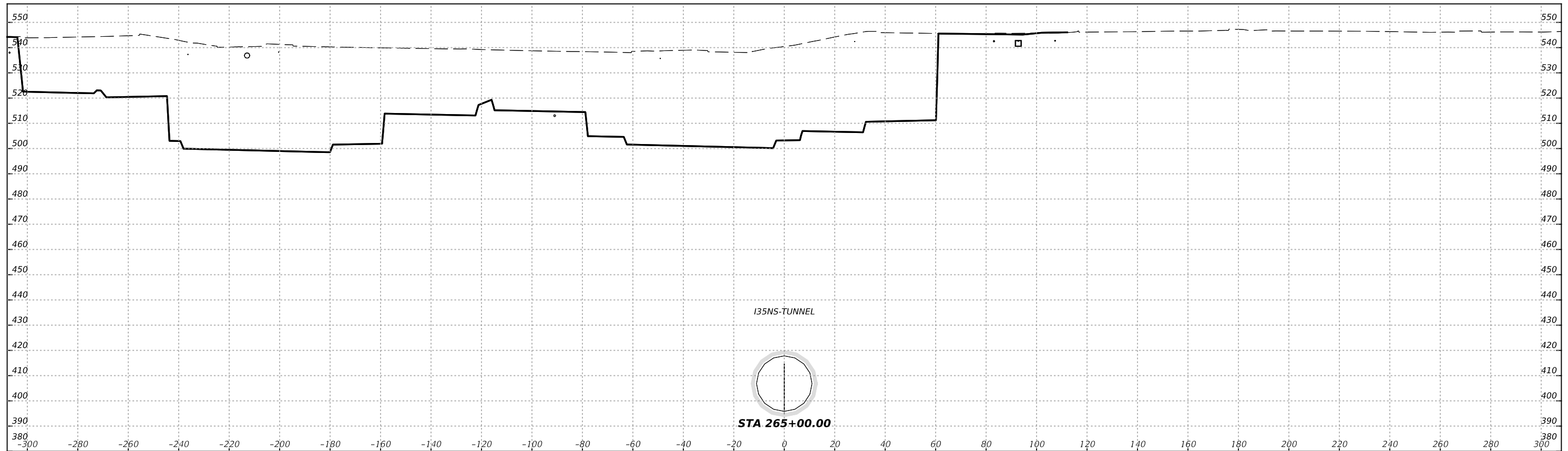
HDR Engineering, Inc.  
 Firm Registration No. F-754  
 710 Hester Crossing, Suite 150  
 Round Rock, Texas 78681



CAPITAL EXPRESS CENTRAL  
 I-35 TUNNEL  
 STA 264+50.00

SCALE: HORIZ: 1"=40'  
 VERT: 1"=40'

CONT	SECT	JOB	HIGHWAY
0015	13	433, ETC.	I-35
DIST	COUNTY		SHEET NO.
AUS	TRAVIS		458



NO.	DATE	REVISION	APPR BY



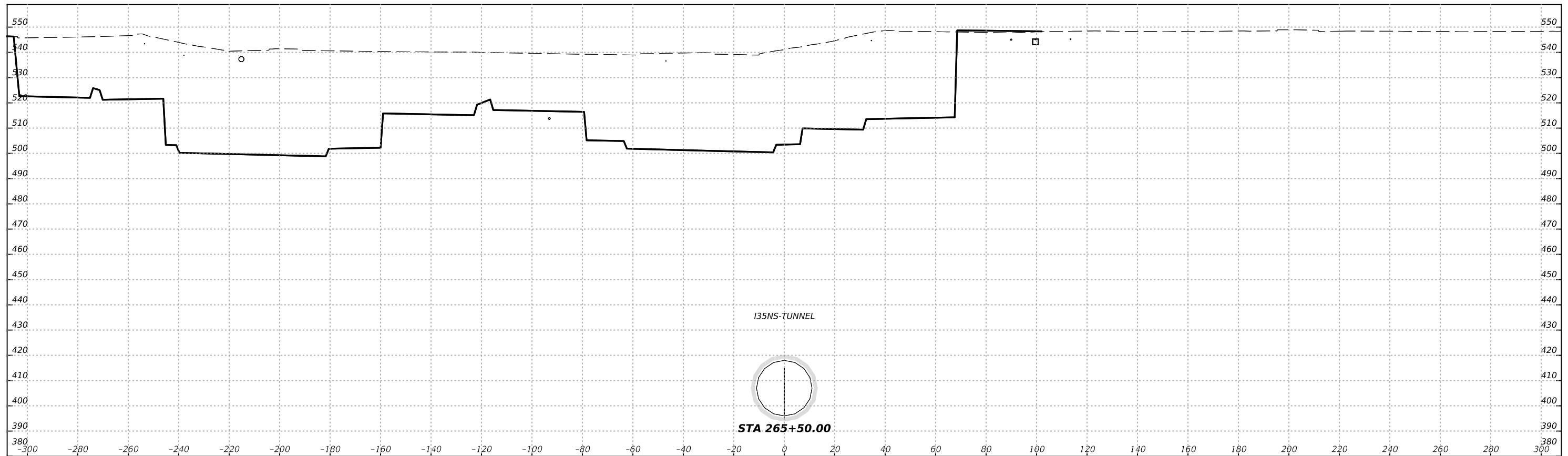
HDR Engineering, Inc.  
 Firm Registration No. F-754  
 710 Hester Crossing, Suite 150  
 Round Rock, Texas 78681



CAPITAL EXPRESS CENTRAL  
 I-35 TUNNEL  
 STA 265+00.00

SCALE: HORIZ: 1"=40'  
 VERT: 1"=40'

CONT	SECT	JOB	HIGHWAY
0015	13	433, ETC.	I-35
DIST	COUNTY		SHEET NO.
AUS	TRAVIS		459



NO.	DATE	REVISION	APPR BY



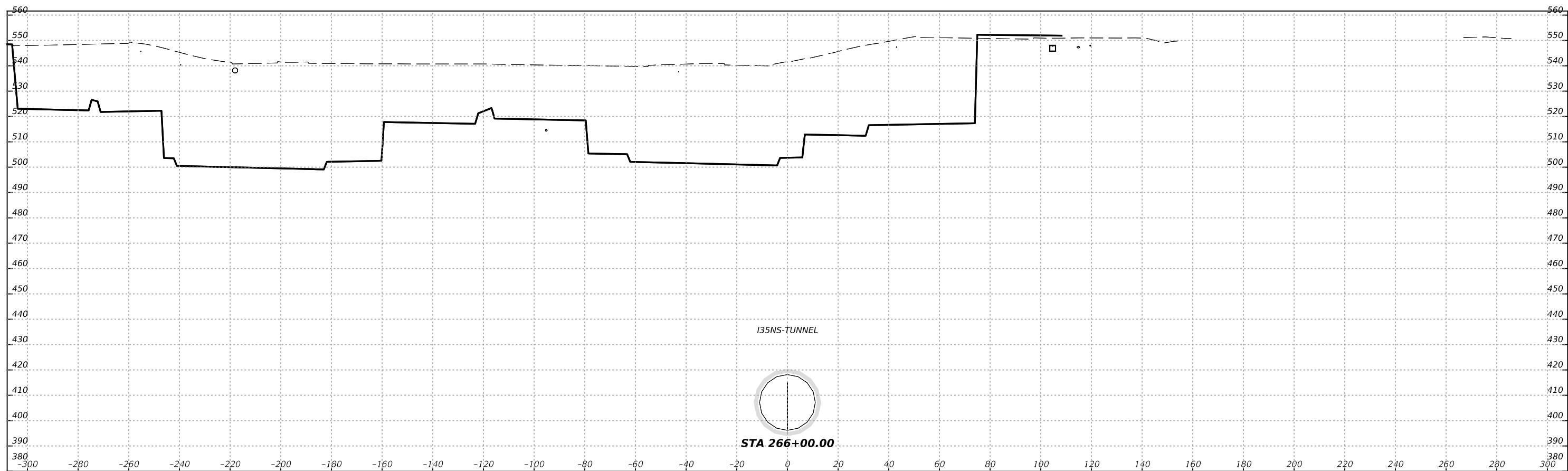
HDR Engineering, Inc.  
 Firm Registration No. F-754  
 710 Hester Crossing, Suite 150  
 Round Rock, Texas 78681



CAPITAL EXPRESS CENTRAL  
 I-35 TUNNEL  
 STA 265+50.00

SCALE: HORIZ: 1"=40'  
 VERT: 1"=40'

CONT	SECT	JOB	HIGHWAY
0015	13	433, ETC.	I-35
DIST			SHEET NO.
AUS	TRAVIS		460



NO.	DATE	REVISION	APPR BY



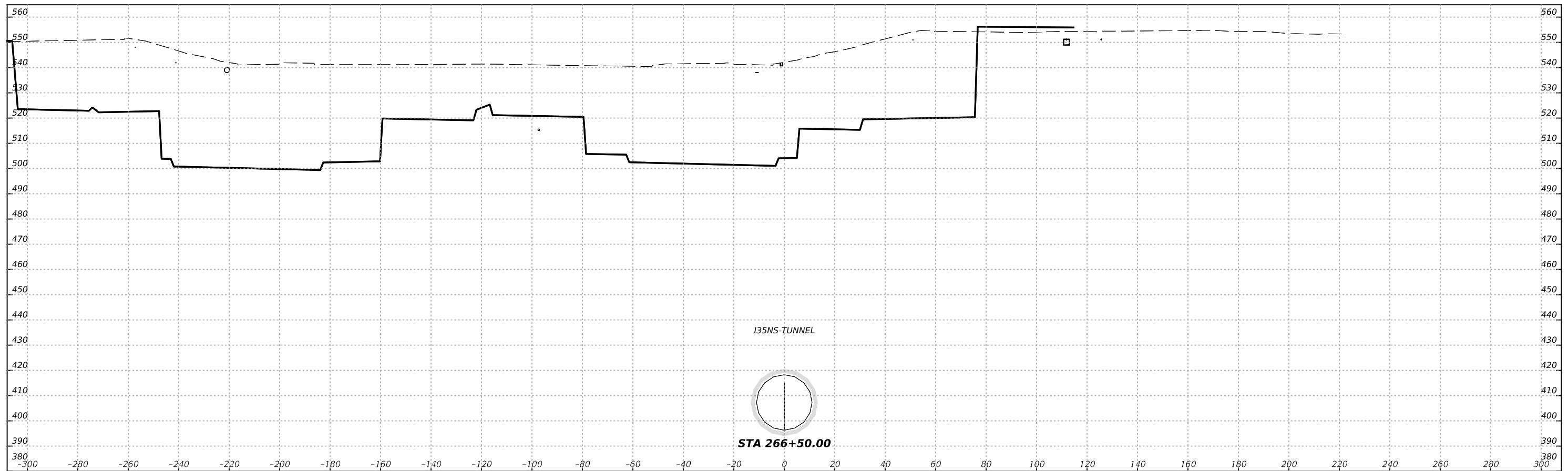
HDR Engineering, Inc.  
 Firm Registration No. F-754  
 710 Hester Crossing, Suite 150  
 Round Rock, Texas 78681



CAPITAL EXPRESS CENTRAL  
 I-35 TUNNEL  
 STA 266+00.00

SCALE: HORIZ: 1"=40'  
 VERT: 1"=40'

CONT	SECT	JOB	HIGHWAY
0015	13	433, ETC.	I-35
DIST COUNTY			SHEET NO.
AUS	TRAVIS		461



NO.	DATE	REVISION	APPR BY



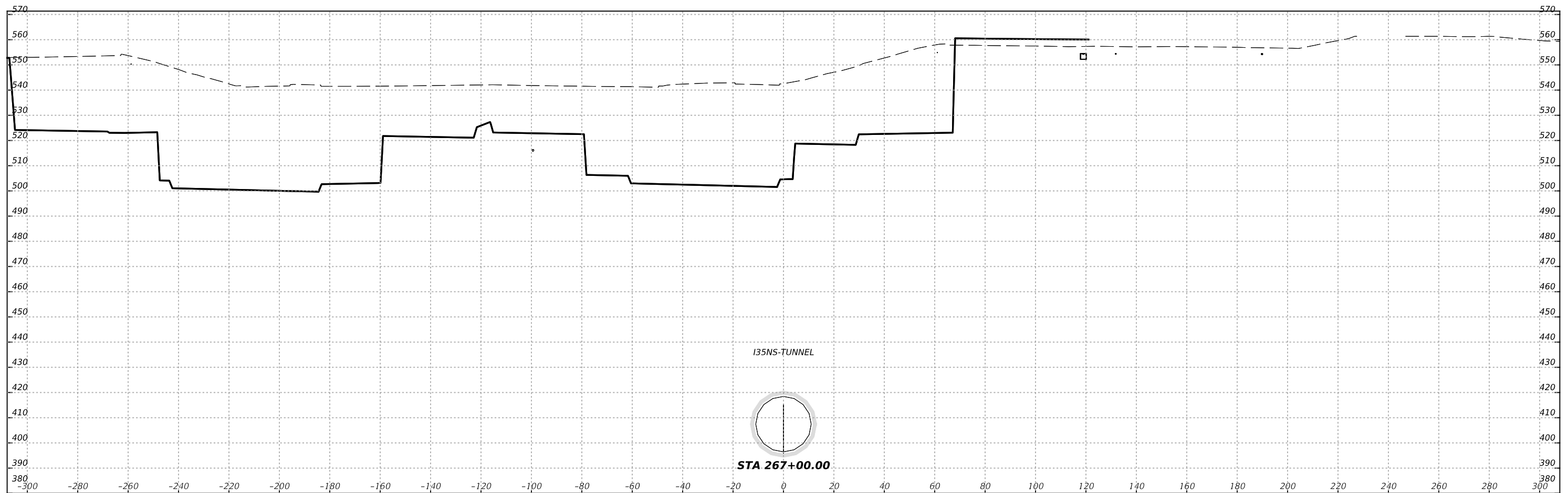
HDR Engineering, Inc.  
 Firm Registration No. F-754  
 710 Hester Crossing, Suite 150  
 Round Rock, Texas 78681



CAPITAL EXPRESS CENTRAL  
 I-35 TUNNEL  
 STA 266+50.00

SCALE: HORIZ: 1"=40'  
 VERT: 1"=40'

CONT	SECT	JOB	HIGHWAY
0015	13	433, ETC.	I-35
DIST	COUNTY		SHEET NO.
AUS	TRAVIS		462



NO.	DATE	REVISION	APPR BY



HDR Engineering, Inc.  
 Firm Registration No. F-754  
 710 Hester Crossing, Suite 150  
 Round Rock, Texas 78681

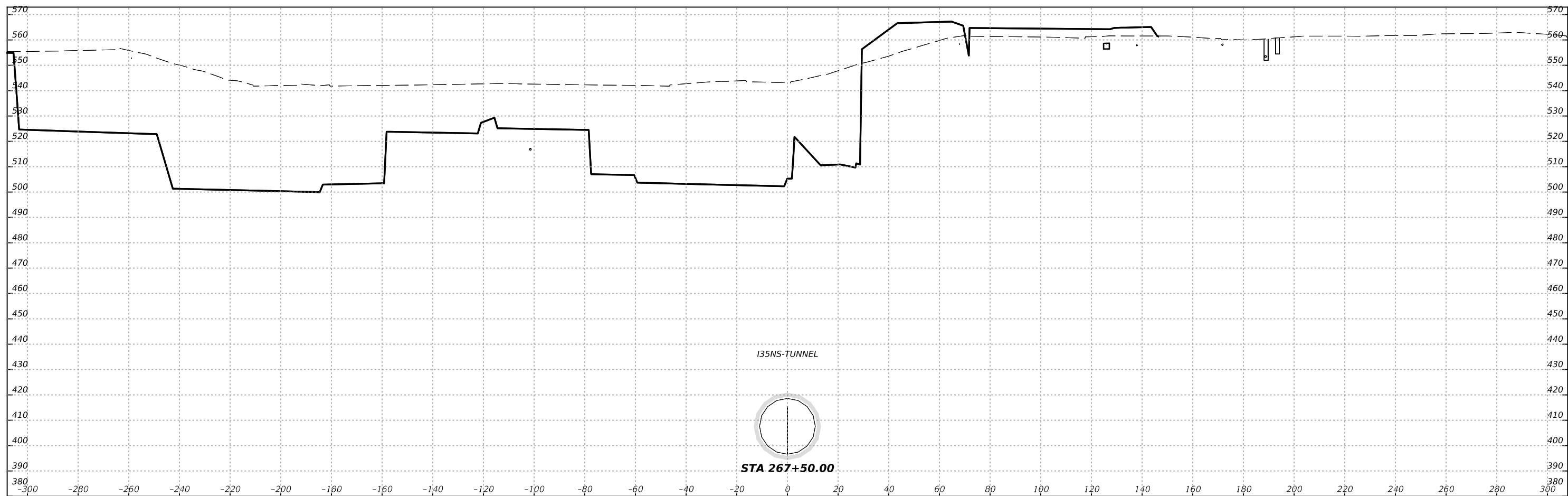


CAPITAL EXPRESS CENTRAL  
 I-35 TUNNEL  
 STA 267+00.00

SCALE: HORIZ: 1"=40'  
 VERT: 1"=40'

CONT	SECT	JOB	HIGHWAY
0015	13	433, ETC.	I-35
DIST	COUNTY		SHEET NO.
AUS	TRAVIS		463





NO.	DATE	REVISION	APPR BY



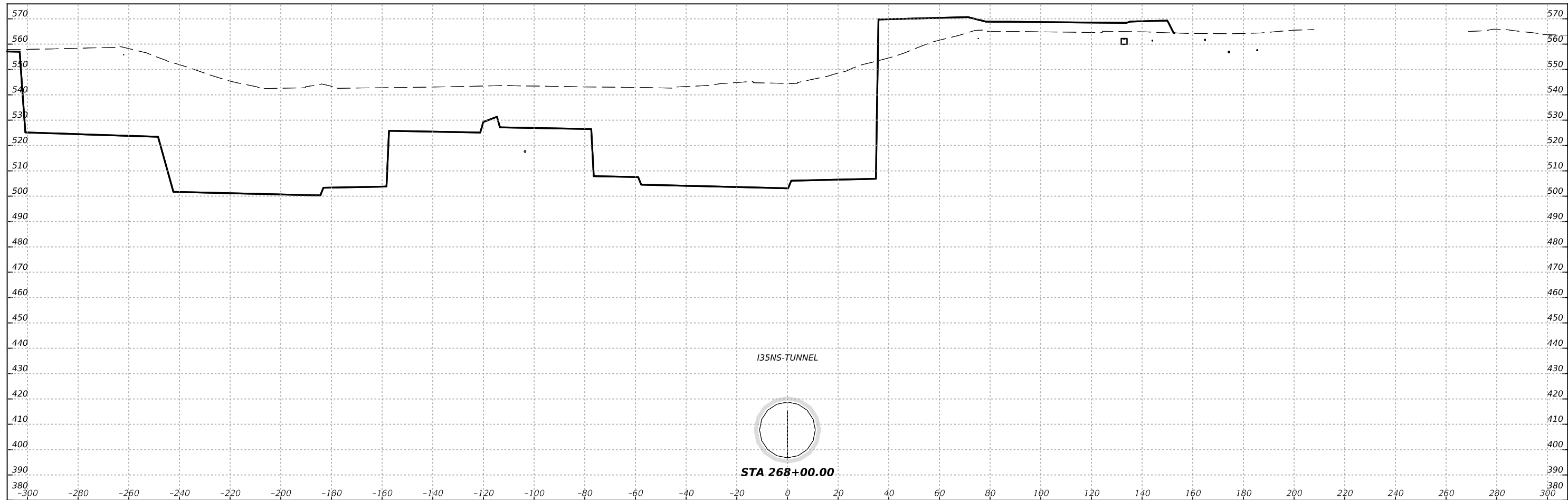
HDR Engineering, Inc.  
 Firm Registration No. F-754  
 710 Hester Crossing, Suite 150  
 Round Rock, Texas 78681



CAPITAL EXPRESS CENTRAL  
 I-35 TUNNEL  
 STA 267+50.00

SCALE: HORIZ: 1"=40'  
 VERT: 1"=40'

CONT	SECT	JOB	HIGHWAY
0015	13	433, ETC.	I-35
DIST COUNTY			SHEET NO.
AUS	TRAVIS		464



NO.	DATE	REVISION	APPR BY



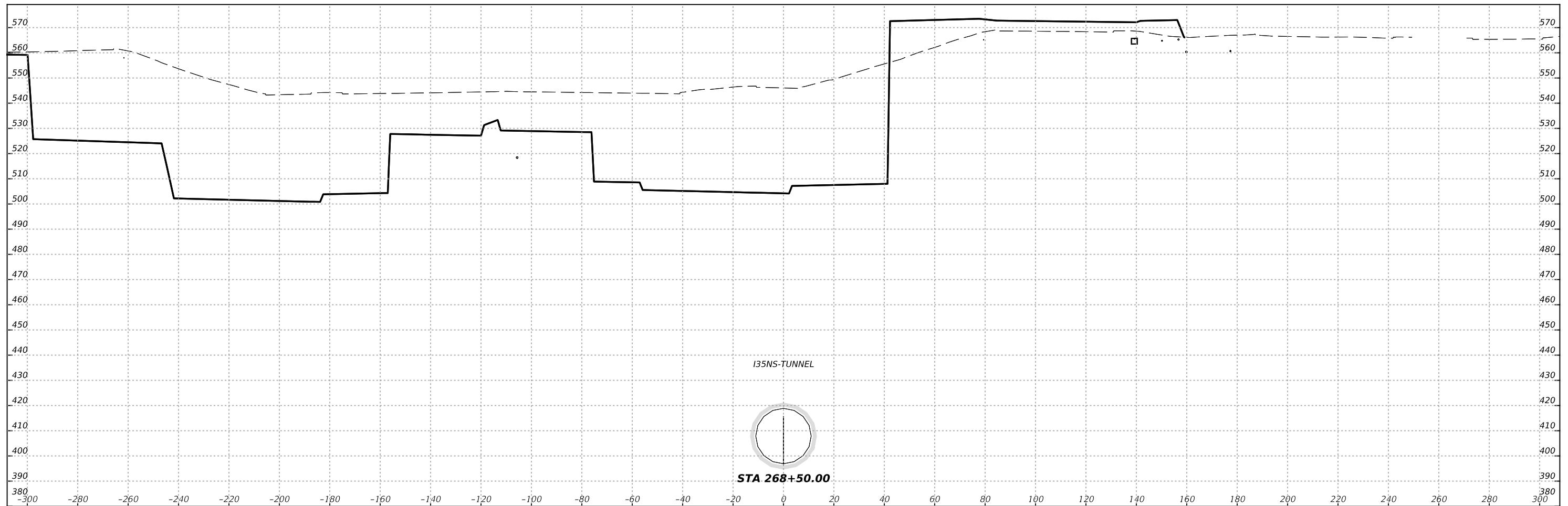
HDR Engineering, Inc.  
 Firm Registration No. F-754  
 710 Hester Crossing, Suite 150  
 Round Rock, Texas 78681



CAPITAL EXPRESS CENTRAL  
 I-35 TUNNEL  
 STA 268+00.00

SCALE: HORIZ: 1"=40'  
 VERT: 1"=40'

CONT	SECT	JOB	HIGHWAY
0015	13	433, ETC.	I-35
DIST	COUNTY		SHEET NO.
AUS	TRAVIS		465



NO.	DATE	REVISION	APPR BY



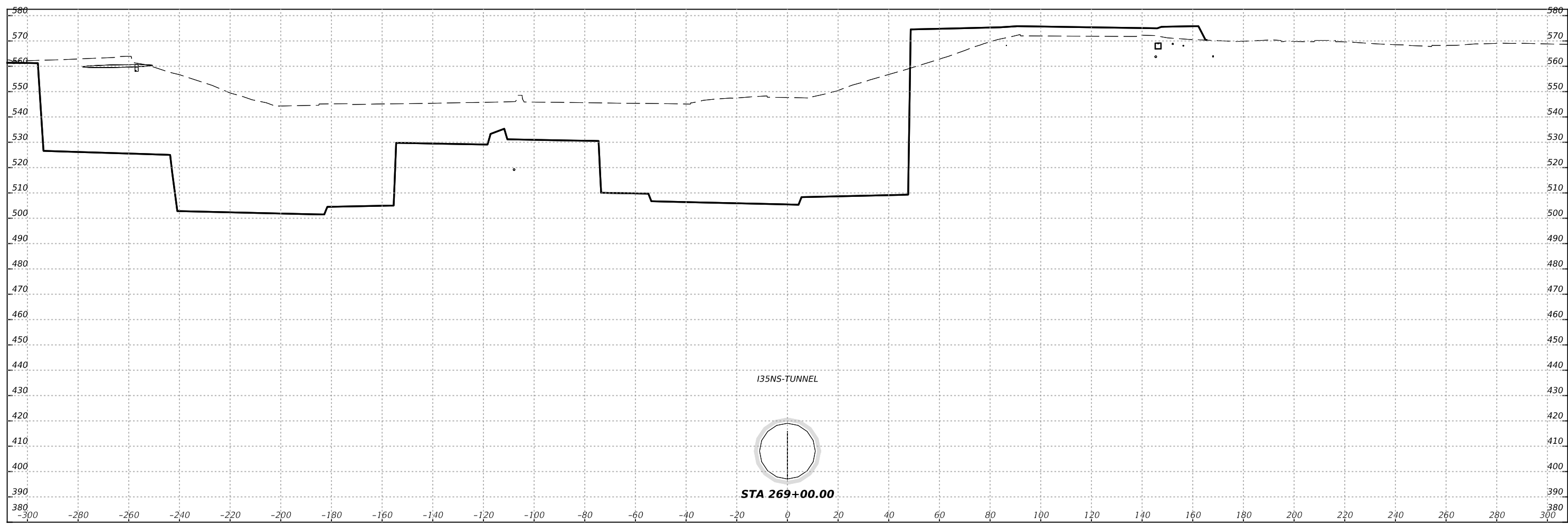
HDR Engineering, Inc.  
 Firm Registration No. F-754  
 710 Hester Crossing, Suite 150  
 Round Rock, Texas 78681



CAPITAL EXPRESS CENTRAL  
 I-35 TUNNEL  
 STA 268+50.00

SCALE: HORIZ: 1"=40'  
 VERT: 1"=40'

CONT	SECT	JOB	HIGHWAY
0015	13	433, ETC.	I-35
DIST	COUNTY		SHEET NO.
AUS	TRAVIS		466



NO.	DATE	REVISION	APPR BY



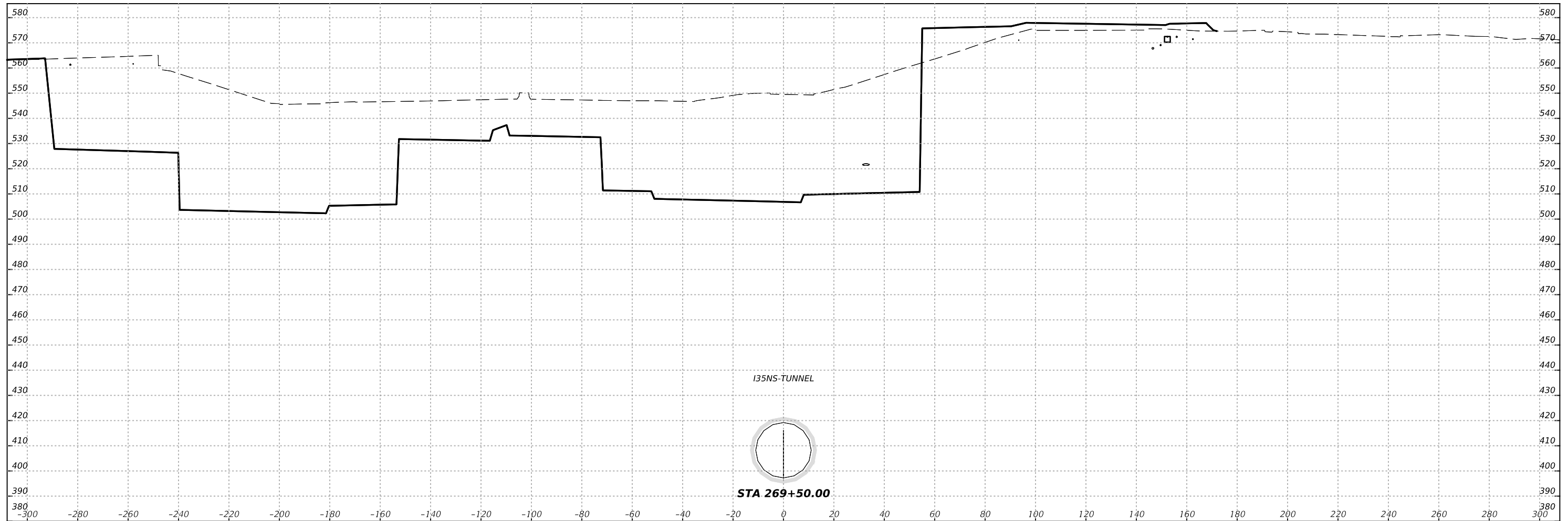
HDR Engineering, Inc.  
 Firm Registration No. F-754  
 710 Hester Crossing, Suite 150  
 Round Rock, Texas 78681



CAPITAL EXPRESS CENTRAL  
 I-35 TUNNEL  
 STA 269+00.00

SCALE: HORIZ: 1"=40'  
 VERT: 1"=40'

CONT	SECT	JOB	HIGHWAY
0015	13	433, ETC.	I-35
DIST COUNTY			SHEET NO.
AUS	TRAVIS		467



NO.	DATE	REVISION	APPR BY



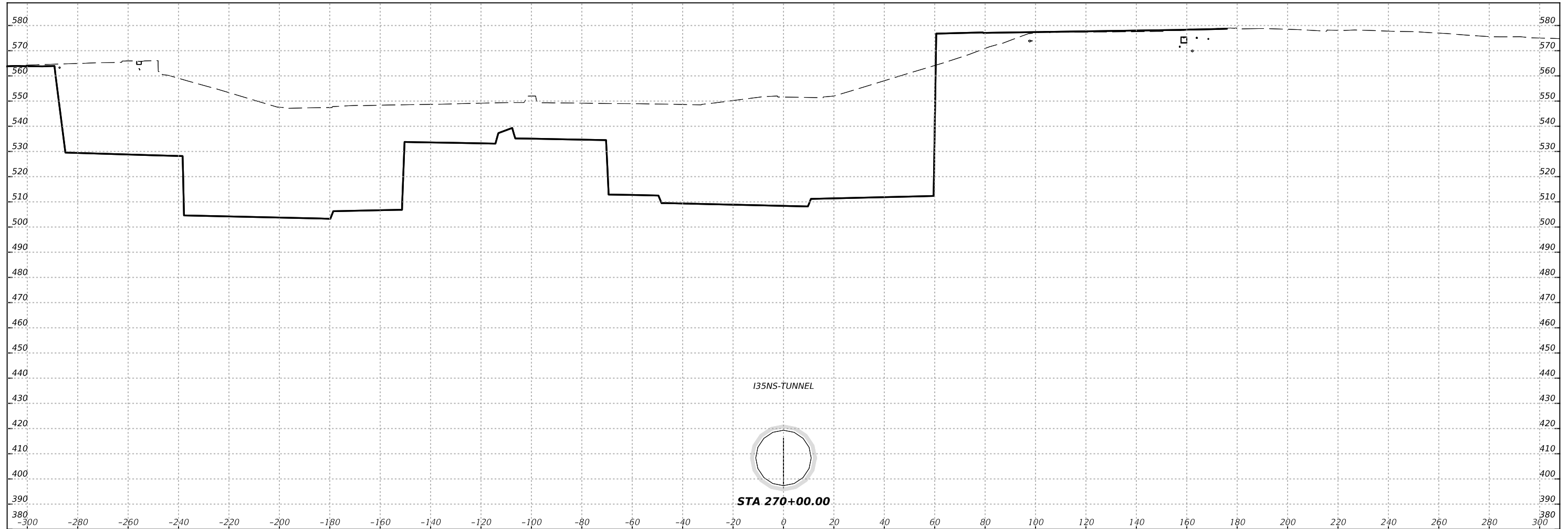
HDR Engineering, Inc.  
 Firm Registration No. F-754  
 710 Hester Crossing, Suite 150  
 Round Rock, Texas 78681



CAPITAL EXPRESS CENTRAL  
 I-35 TUNNEL  
 STA 269+50.00

SCALE: HORIZ: 1"=40'  
 VERT: 1"=40'

CONT	SECT	JOB	HIGHWAY
0015	13	433, ETC.	I-35
DIST	COUNTY	SHEET NO.	
AUS	TRAVIS	468	



NO.	DATE	REVISION	APPR BY



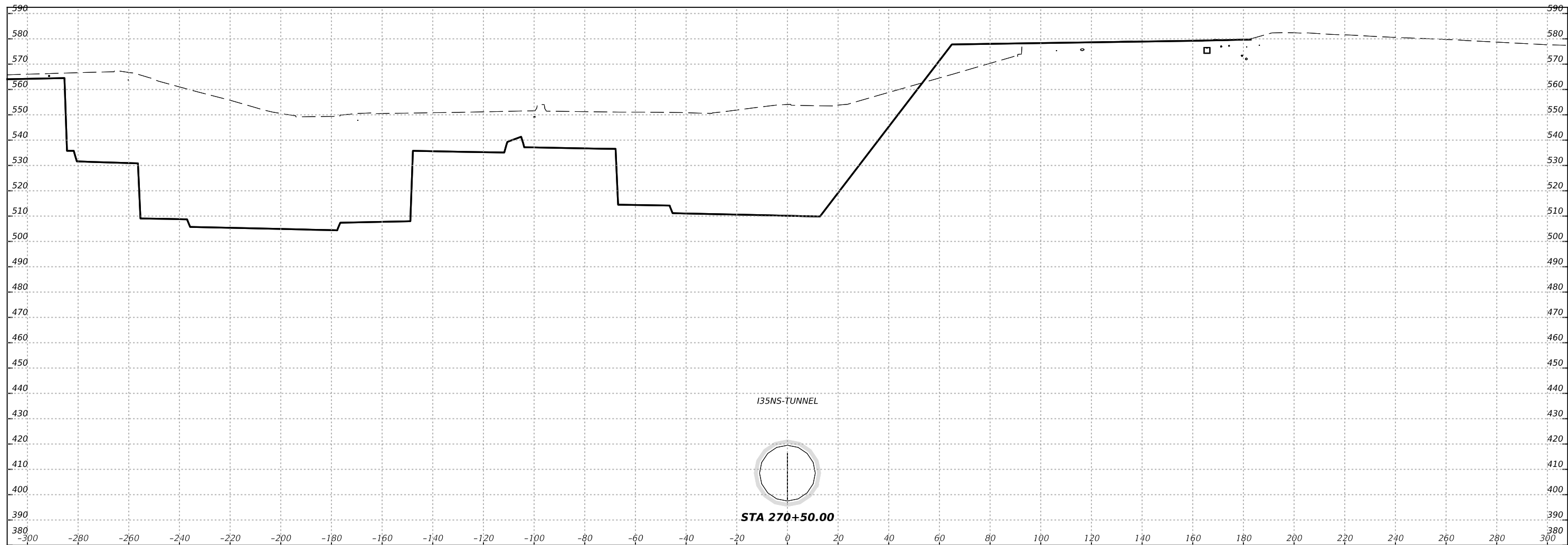
HDR Engineering, Inc.  
 Firm Registration No. F-754  
 710 Hester Crossing, Suite 150  
 Round Rock, Texas 78681



CAPITAL EXPRESS CENTRAL  
 I-35 TUNNEL  
 STA 270+00.00

SCALE: HORIZ: 1"=40'  
 VERT: 1"=40'

CONT	SECT	JOB	HIGHWAY
0015	13	433, ETC.	I-35
DIST	COUNTY		SHEET NO.
AUS	TRAVIS		469



NO.	DATE	REVISION	APPR BY



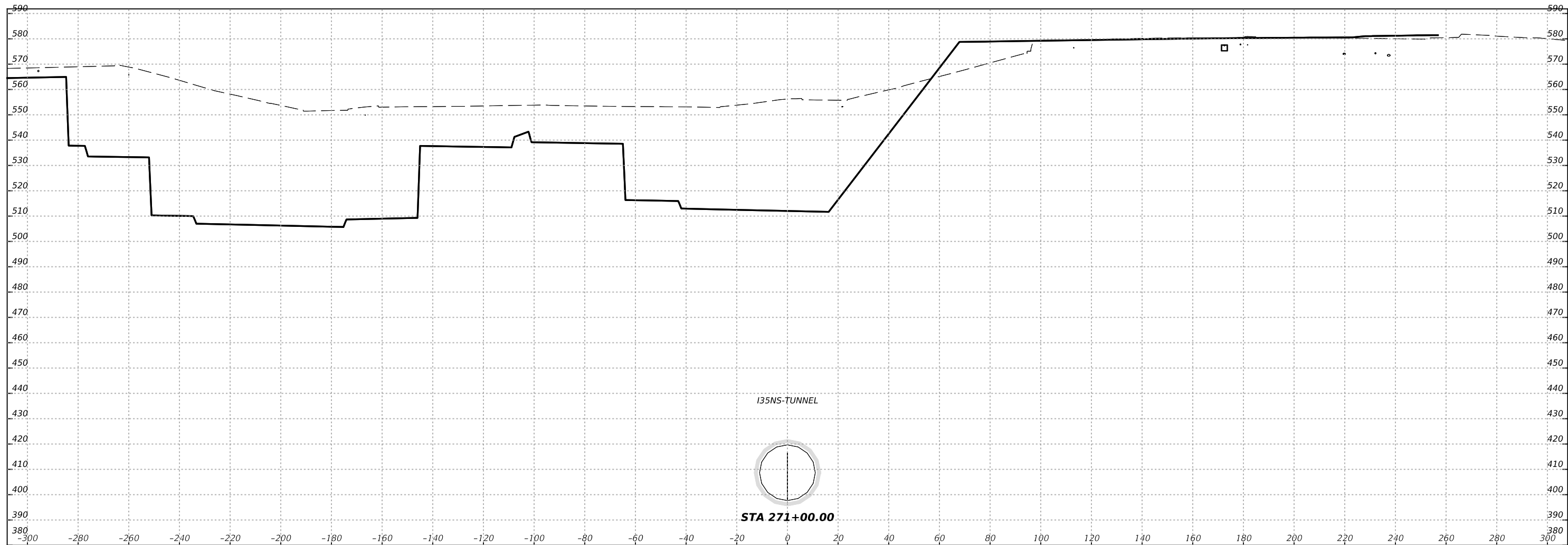
HDR Engineering, Inc.  
 Firm Registration No. F-754  
 710 Hester Crossing, Suite 150  
 Round Rock, Texas 78681



CAPITAL EXPRESS CENTRAL  
 I-35 TUNNEL  
 STA 270+50.00

SCALE: HORIZ: 1"=40'  
 VERT: 1"=40'

CONT	SECT	JOB	HIGHWAY
0015	13	433, ETC.	I-35
DIST	COUNTY		SHEET NO.
AUS	TRAVIS		470



NO.	DATE	REVISION	APPR BY



HDR Engineering, Inc.  
 Firm Registration No. F-754  
 710 Hester Crossing, Suite 150  
 Round Rock, Texas 78681

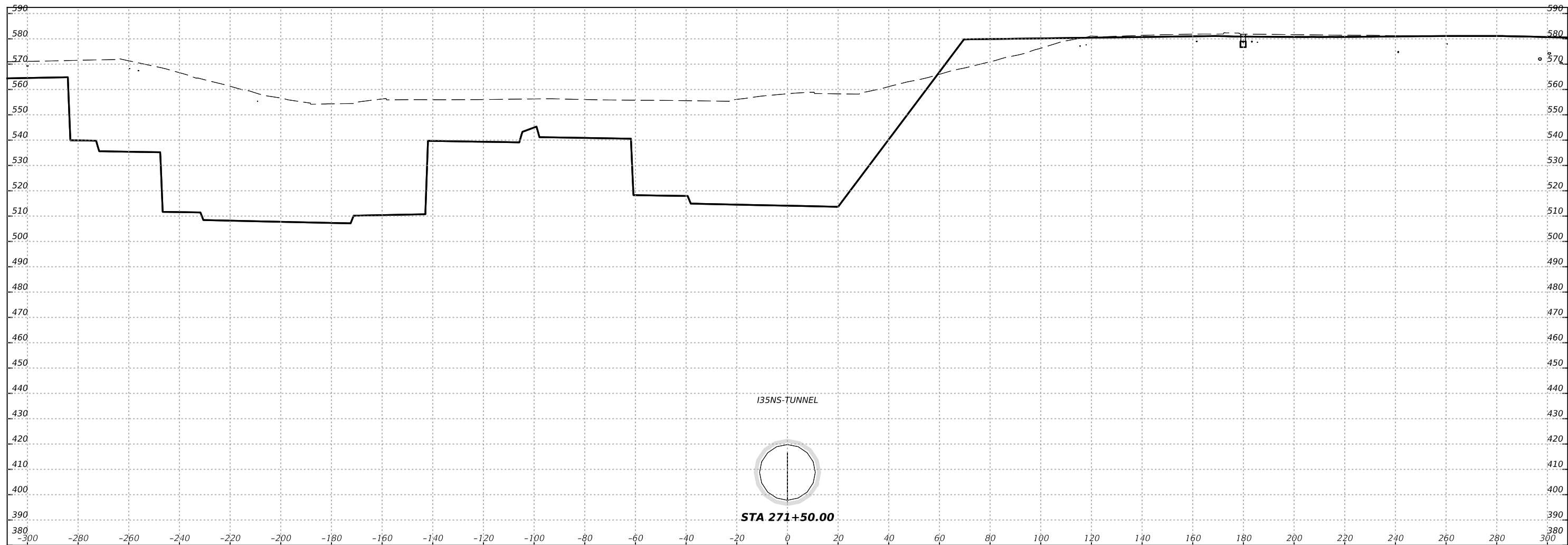


CAPITAL EXPRESS CENTRAL  
 I-35 TUNNEL  
 STA 271+00.00

SCALE: HORIZ: 1"=40'  
 VERT: 1"=40'

CONT	SECT	JOB	HIGHWAY
0015	13	433, ETC.	I-35
DIST	COUNTY		SHEET NO.
AUS	TRAVIS		471





NO.	DATE	REVISION	APPR BY



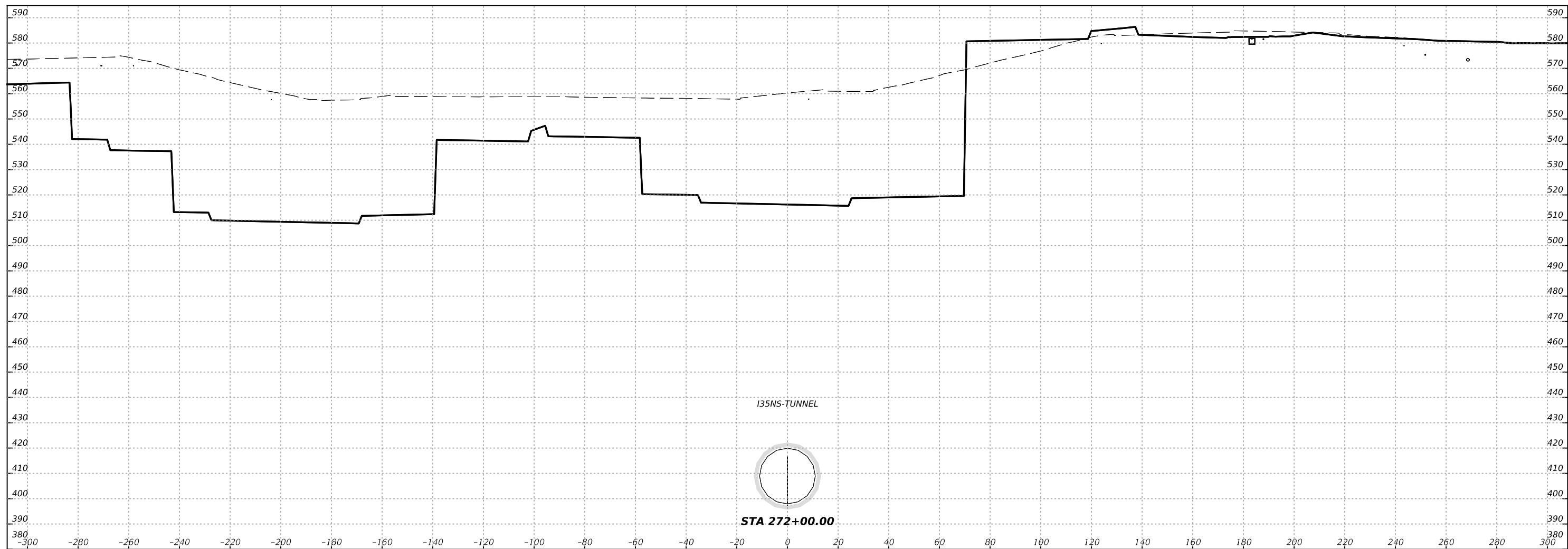
HDR Engineering, Inc.  
 Firm Registration No. F-754  
 710 Hester Crossing, Suite 150  
 Round Rock, Texas 78681



CAPITAL EXPRESS CENTRAL  
 I-35 TUNNEL  
 STA 271+50.00

SCALE: HORIZ: 1"=40'  
 VERT: 1"=40'

CONT	SECT	JOB	HIGHWAY
0015	13	433, ETC.	I-35
DIST	COUNTY		SHEET NO.
AUS	TRAVIS		472



NO.	DATE	REVISION	APPR BY



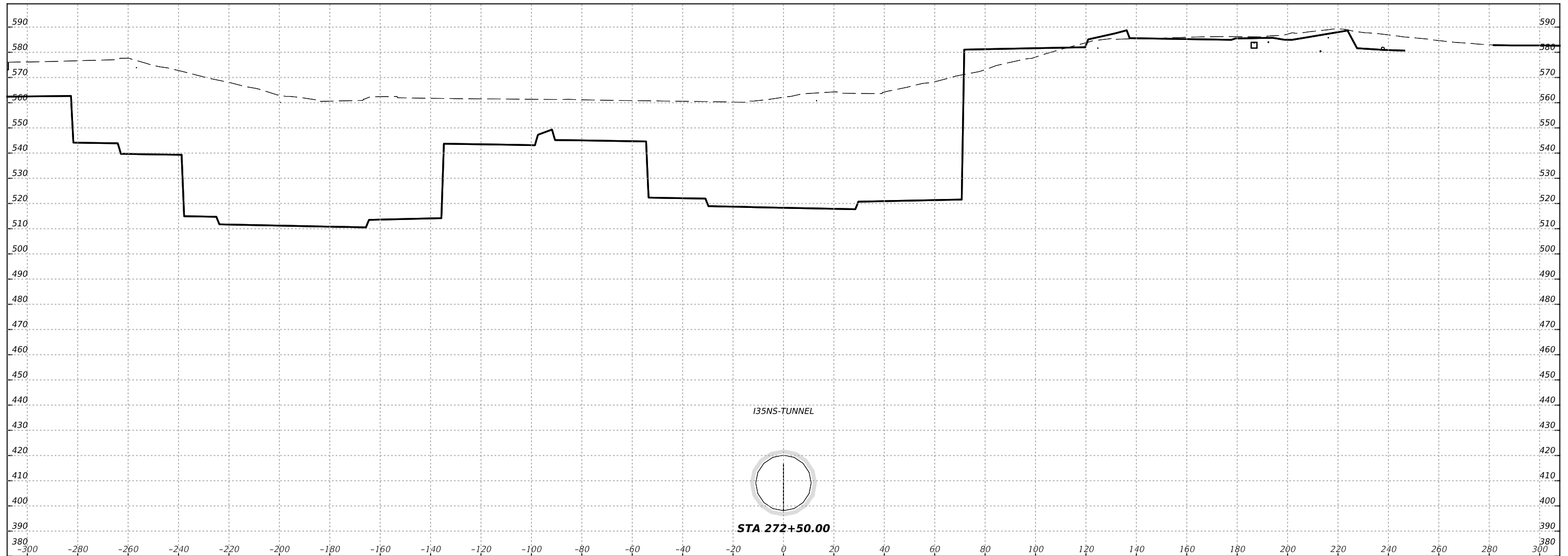
HDR Engineering, Inc.  
 Firm Registration No. F-754  
 710 Hester Crossing, Suite 150  
 Round Rock, Texas 78681



CAPITAL EXPRESS CENTRAL  
 @ I-35 TUNNEL  
 STA 272+00.00

SCALE: HORIZ: 1"=40'  
 VERT: 1"=40'

CONT	SECT	JOB	HIGHWAY
0015	13	433, ETC.	I-35
DIST	COUNTY		SHEET NO.
AUS	TRAVIS		473



NO.	DATE	REVISION	APPR BY



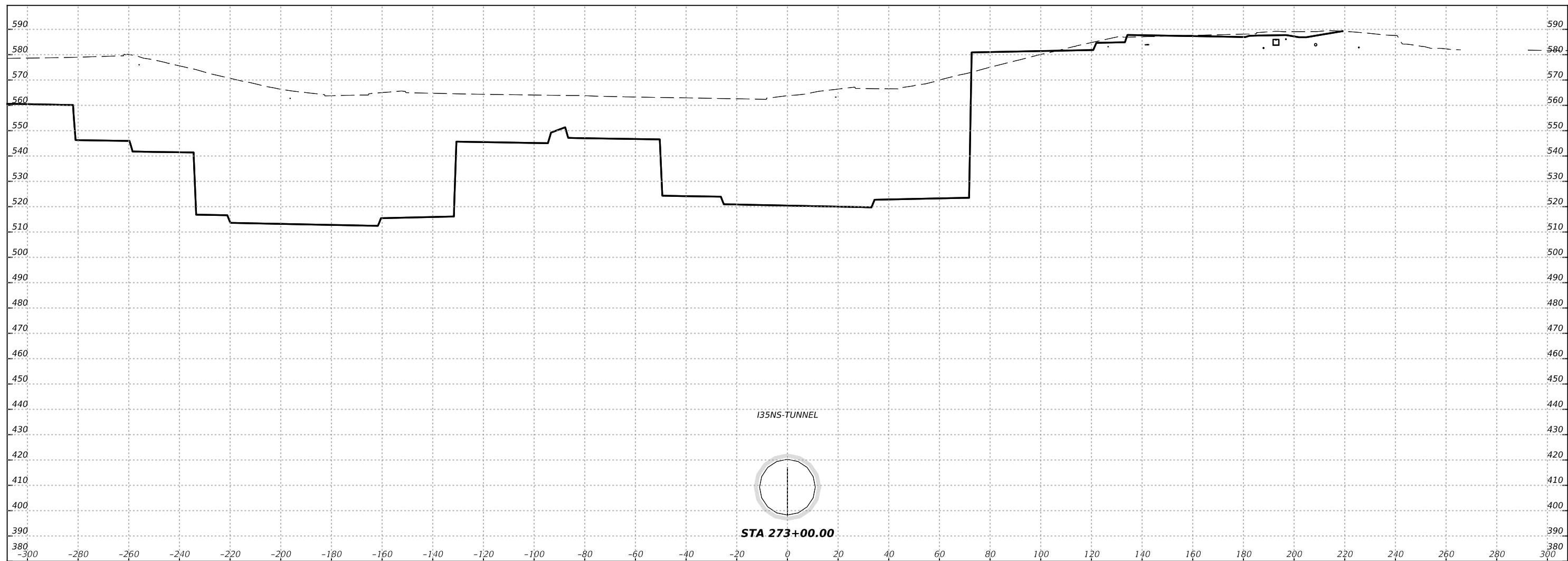
HDR Engineering, Inc.  
 Firm Registration No. F-754  
 710 Hester Crossing, Suite 150  
 Round Rock, Texas 78681



CAPITAL EXPRESS CENTRAL  
 I-35 TUNNEL  
 STA 272+50.00

SCALE: HORIZ: 1"=40'  
 VERT: 1"=40'

CONT	SECT	JOB	HIGHWAY
0015	13	433, ETC.	I-35
DIST	COUNTY		SHEET NO.
AUS	TRAVIS		474



NO.	DATE	REVISION	APPR BY



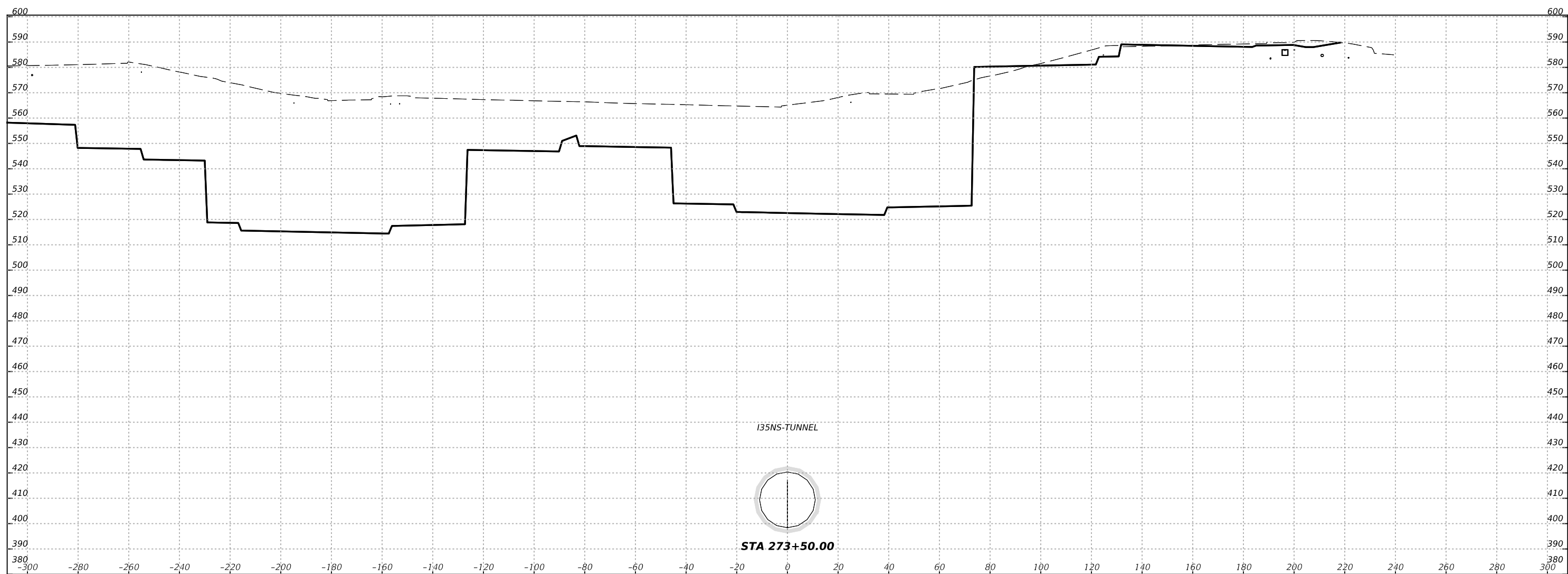
HDR Engineering, Inc.  
 Firm Registration No. F-754  
 710 Hester Crossing, Suite 150  
 Round Rock, Texas 78681



CAPITAL EXPRESS CENTRAL  
 I-35 TUNNEL  
 STA 273+00.00

SCALE: HORIZ: 1"=40'  
 VERT: 1"=40'

CONT	SECT	JOB	HIGHWAY
0015	13	433, ETC.	I-35
DIST COUNTY			SHEET NO.
AUS	TRAVIS		475



NO.	DATE	REVISION	APPR BY



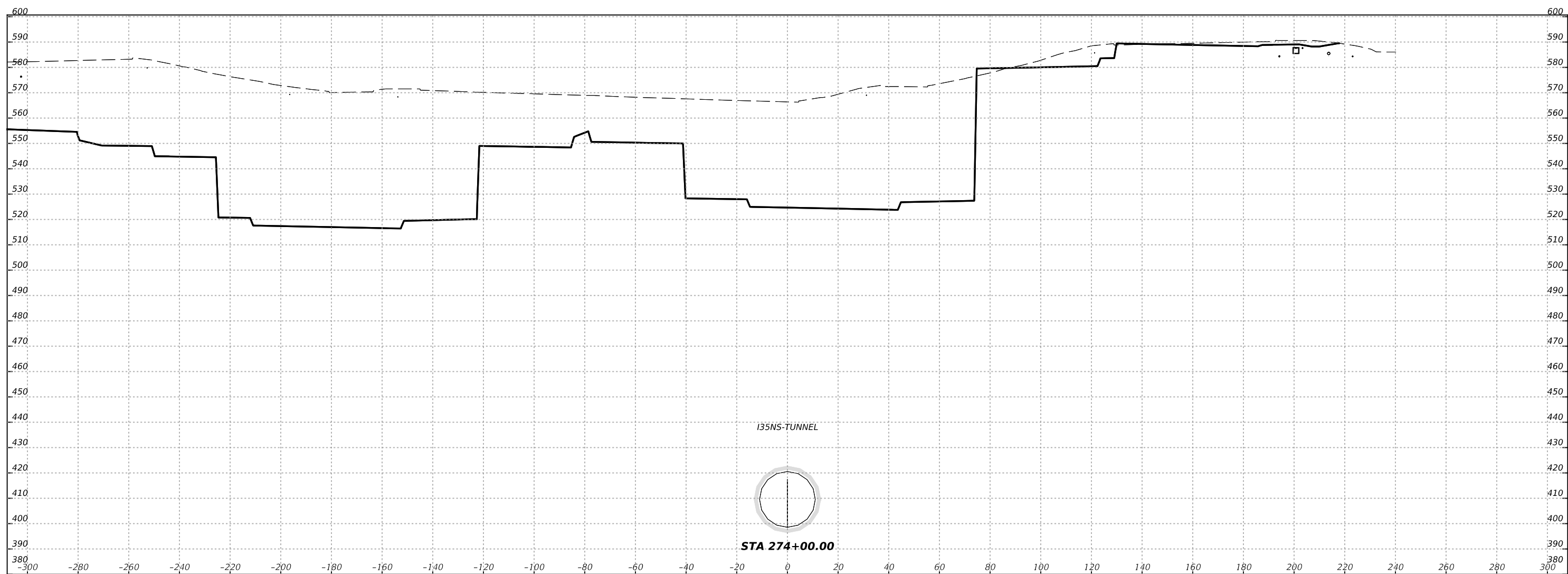
HDR Engineering, Inc.  
 Firm Registration No. F-754  
 710 Hester Crossing, Suite 150  
 Round Rock, Texas 78681



CAPITAL EXPRESS CENTRAL  
 I-35 TUNNEL  
 STA 273+50.00

SCALE: HORIZ: 1"=40'  
 VERT: 1"=40'

CONT	SECT	JOB	HIGHWAY
0015	13	433, ETC.	I-35
DIST	COUNTY		SHEET NO.
AUS	TRAVIS		476



NO.	DATE	REVISION	APPR BY



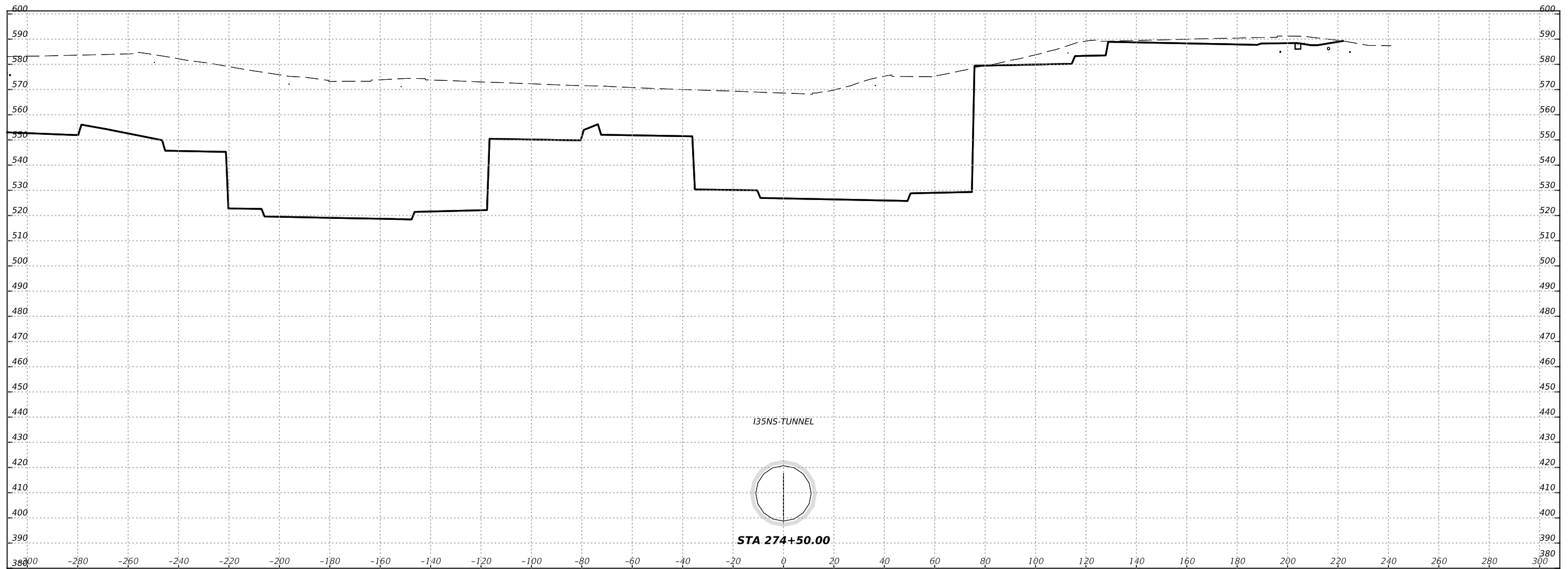
HDR Engineering, Inc.  
 Firm Registration No. F-754  
 710 Hester Crossing, Suite 150  
 Round Rock, Texas 78681



CAPITAL EXPRESS CENTRAL  
 I-35 TUNNEL  
 STA 274+00.00

SCALE: HORIZ: 1"=40'  
 VERT: 1"=40'

CONT	SECT	JOB	HIGHWAY
0015	13	433, ETC.	I-35
DIST COUNTY			SHEET NO.
AUS	TRAVIS		477



NO.	DATE	REVISION	APPR BY



HDR Engineering, Inc.  
 Firm Registration No. F-754  
 710 Hester Crossing, Suite 150  
 Round Rock, Texas 78681



CAPITAL EXPRESS CENTRAL  
 I-35 TUNNEL  
 STA 274+50.00

SCALE: HORIZ: 1"=40'  
 VERT: 1"=40'

CONT	SECT	JOB	HIGHWAY
0015	13	433, ETC.	I-35
DIST			COUNTY
AUS			TRAVIS
SHEET NO.			478



NO.	DATE	REVISION	APPR BY



HDR Engineering, Inc.  
 Firm Registration No. F-754  
 710 Hester Crossing, Suite 150  
 Round Rock, Texas 78681

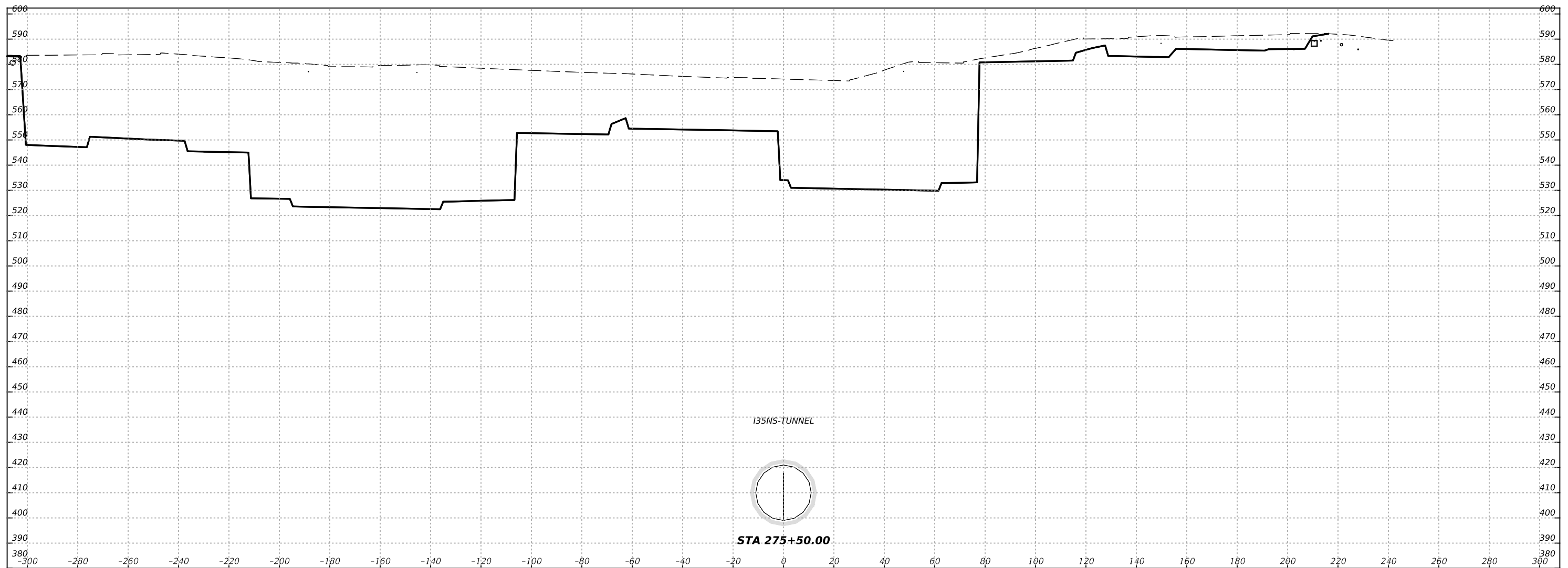


CAPITAL EXPRESS CENTRAL  
 I-35 TUNNEL  
 STA 275+00.00

SCALE: HORIZ: 1"=40'  
 VERT: 1"=40'

CONT	SECT	JOB	HIGHWAY
0015	13	433, ETC.	I-35
DIST	COUNTY		SHEET NO.
AUS	TRAVIS		479





NO.	DATE	REVISION	APPR BY



HDR Engineering, Inc.  
 Firm Registration No. F-754  
 710 Hester Crossing, Suite 150  
 Round Rock, Texas 78681



CAPITAL EXPRESS CENTRAL  
 I-35 TUNNEL  
 STA 275+50.00

SCALE: HORIZ: 1"=40'  
 VERT: 1"=40'

CONT	SECT	JOB	HIGHWAY
0015	13	433, ETC.	I-35
DIST	COUNTY		SHEET NO.
AUS	TRAVIS		480



NO.	DATE	REVISION	APPR BY



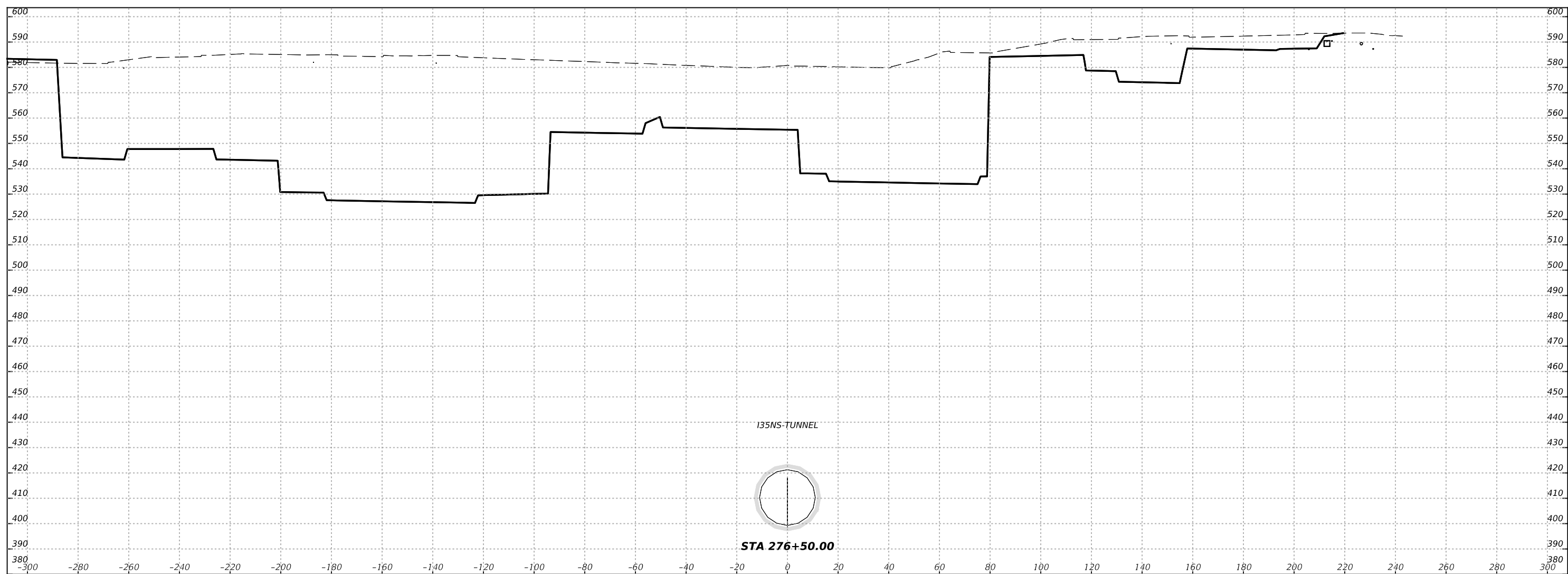
HDR Engineering, Inc.  
 Firm Registration No. F-754  
 710 Hester Crossing, Suite 150  
 Round Rock, Texas 78681



CAPITAL EXPRESS CENTRAL  
 I-35 TUNNEL  
 STA 276+00.00

SCALE: HORIZ: 1"=40'  
 VERT: 1"=40'

CONT	SECT	JOB	HIGHWAY
0015	13	433, ETC.	I-35
DIST	COUNTY		SHEET NO.
AUS	TRAVIS		481



NO.	DATE	REVISION	APPR BY



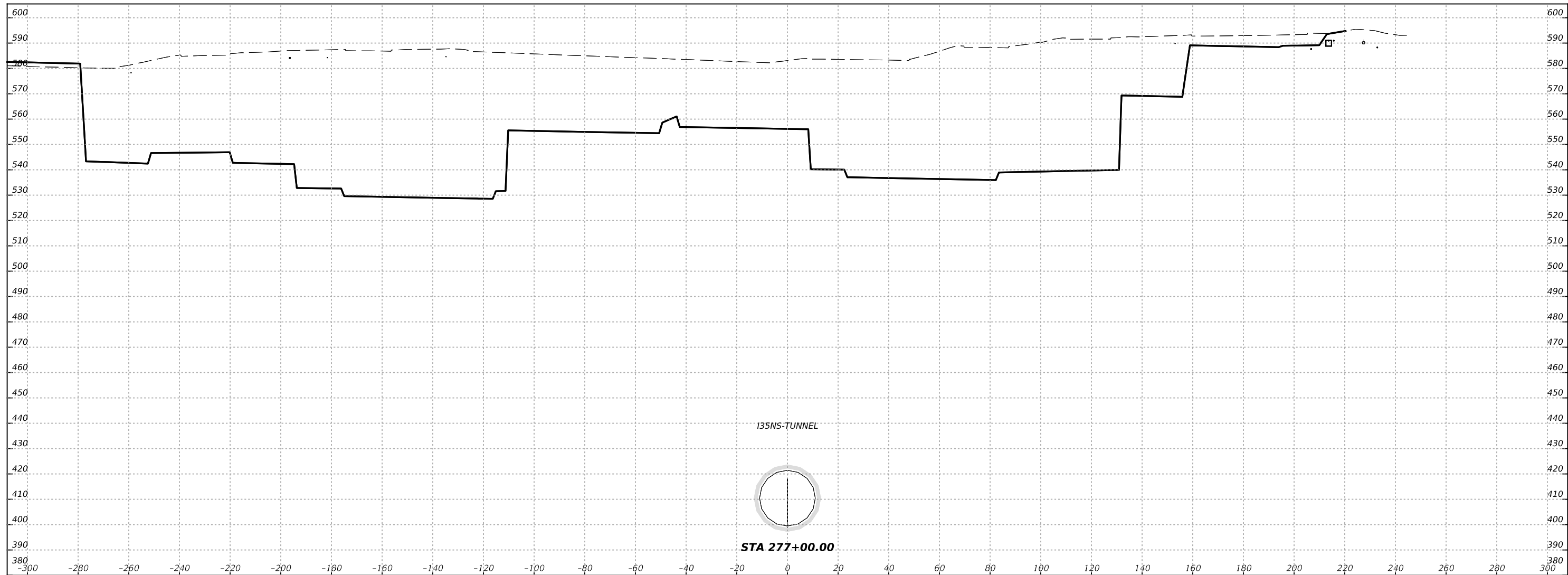
HDR Engineering, Inc.  
 Firm Registration No. F-754  
 710 Hester Crossing, Suite 150  
 Round Rock, Texas 78681



CAPITAL EXPRESS CENTRAL  
 I-35 TUNNEL  
 STA 276+50.00

SCALE: HORIZ: 1"=40'  
 VERT: 1"=40'

CONT	SECT	JOB	HIGHWAY
0015	13	433, ETC.	I-35
DIST	COUNTY	SHEET NO.	
AUS	TRAVIS	482	



NO.	DATE	REVISION	APPR BY



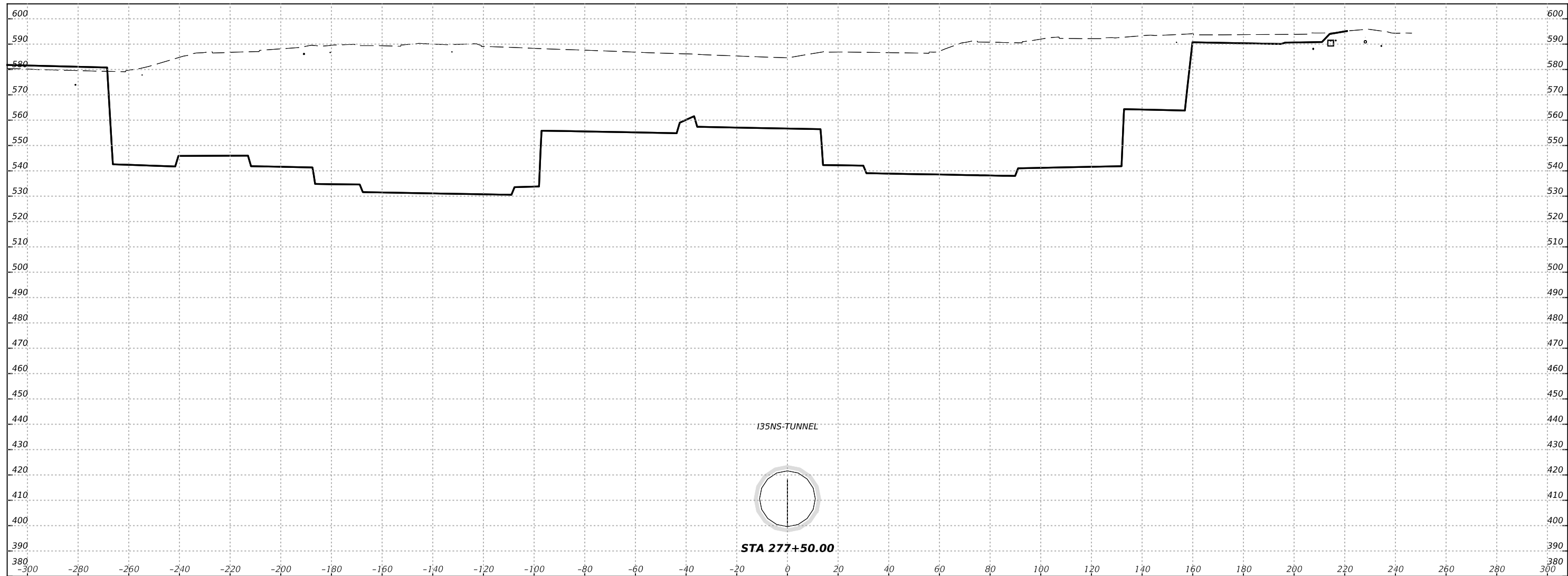
HDR Engineering, Inc.  
 Firm Registration No. F-754  
 710 Hester Crossing, Suite 150  
 Round Rock, Texas 78681



CAPITAL EXPRESS CENTRAL  
 I-35 TUNNEL  
 STA 277+00.00

SCALE: HORIZ: 1"=40'  
 VERT: 1"=40'

CONT	SECT	JOB	HIGHWAY
0015	13	433, ETC.	I-35
DIST COUNTY			SHEET NO.
AUS	TRAVIS		483



NO.	DATE	REVISION	APPR BY



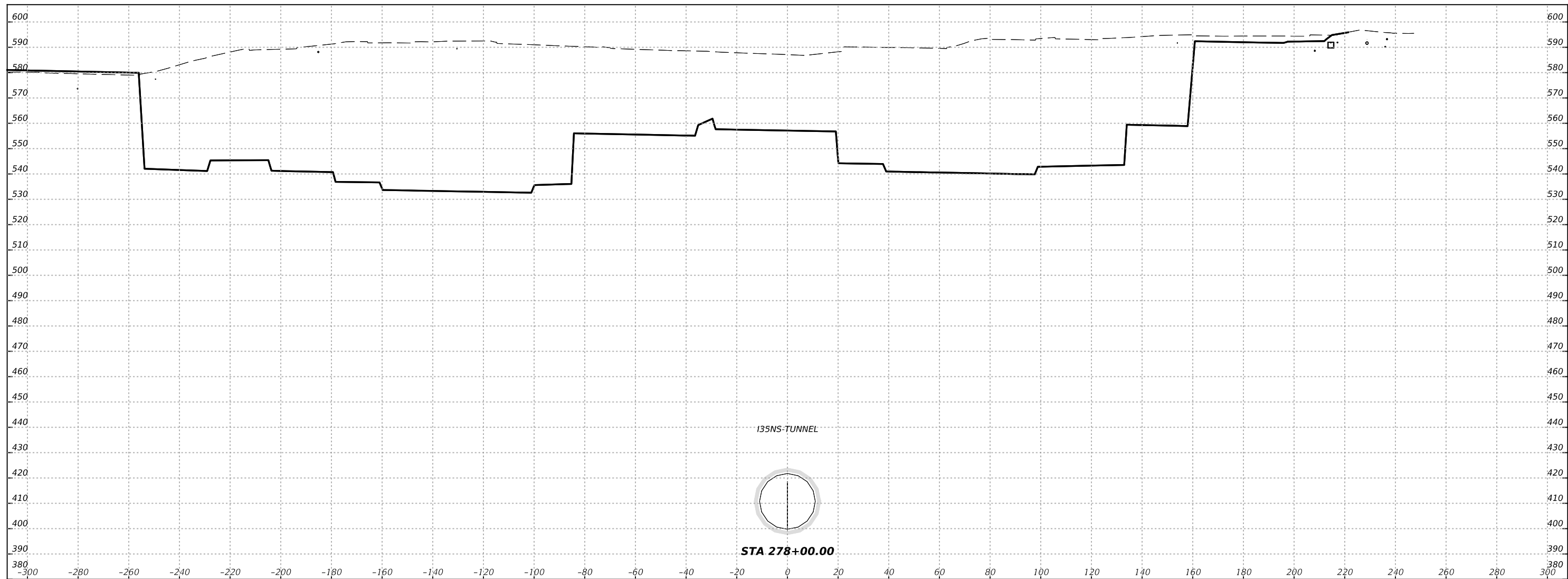
HDR Engineering, Inc.  
 Firm Registration No. F-754  
 710 Hester Crossing, Suite 150  
 Round Rock, Texas 78681



CAPITAL EXPRESS CENTRAL  
 I-35 TUNNEL  
 STA 277+50.00

SCALE: HORIZ: 1"=40'  
 VERT: 1"=40'

CONT	SECT	JOB	HIGHWAY
0015	13	433, ETC.	I-35
DIST	COUNTY		SHEET NO.
AUS	TRAVIS		484



NO.	DATE	REVISION	APPR BY



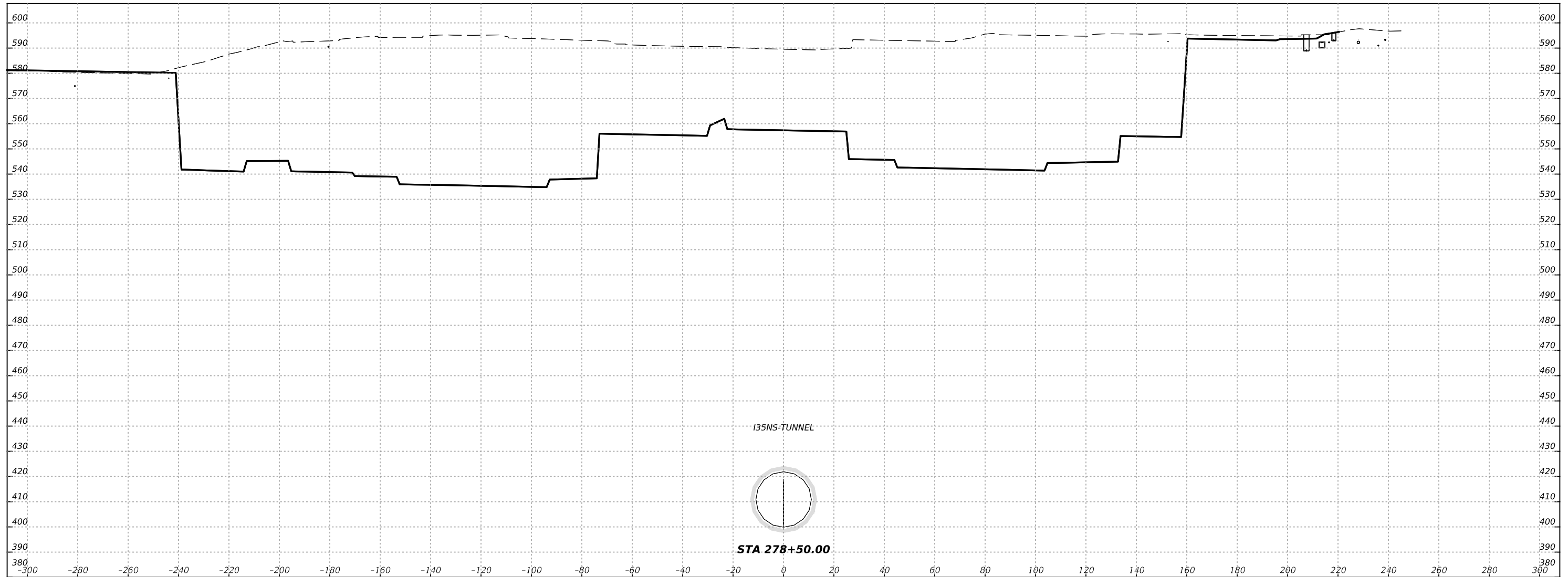
HDR Engineering, Inc.  
 Firm Registration No. F-754  
 710 Hester Crossing, Suite 150  
 Round Rock, Texas 78681



CAPITAL EXPRESS CENTRAL  
 I-35 TUNNEL  
 STA 278+00.00

SCALE: HORIZ: 1"=40'  
 VERT: 1"=40'

CONT	SECT	JOB	HIGHWAY
0015	13	433, ETC.	I-35
DIST COUNTY			SHEET NO.
AUS	TRAVIS		485



NO.	DATE	REVISION	APPR BY



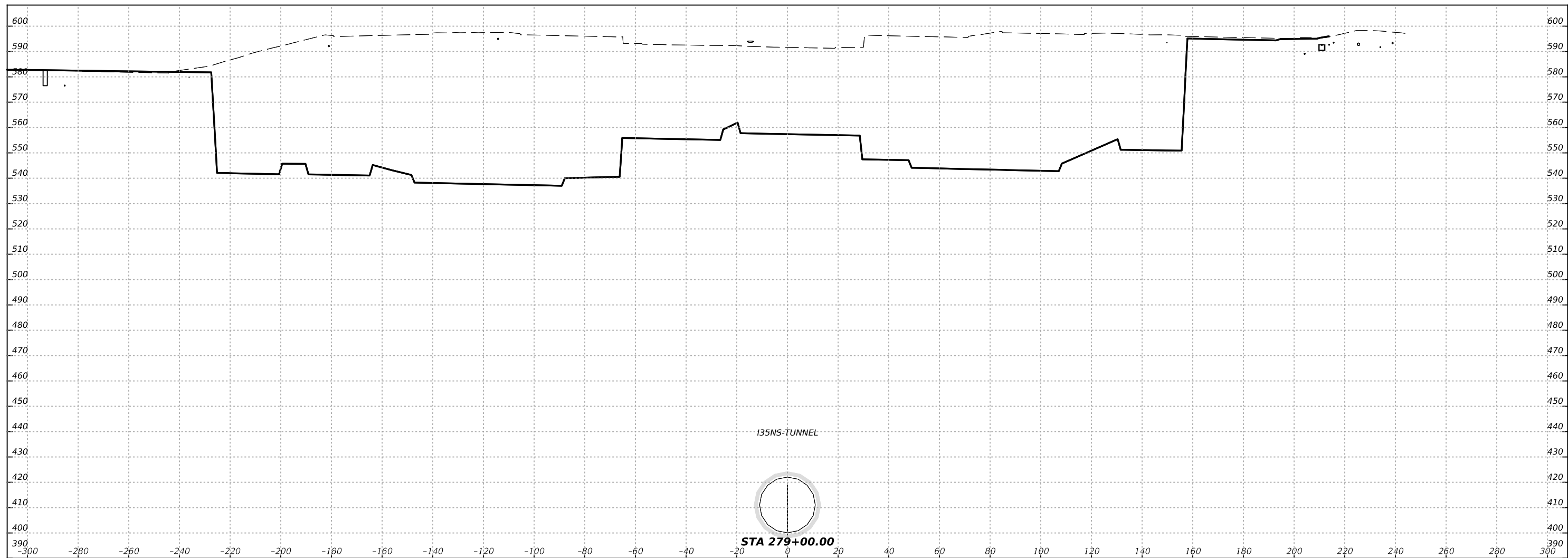
HDR Engineering, Inc.  
 Firm Registration No. F-754  
 710 Hester Crossing, Suite 150  
 Round Rock, Texas 78681



CAPITAL EXPRESS CENTRAL  
 I-35 TUNNEL  
 STA 278+50.00

SCALE: HORIZ: 1"=40'  
 VERT: 1"=40'

CONT	SECT	JOB	HIGHWAY
0015	13	433, ETC.	I-35
DIST	COUNTY		SHEET NO.
AUS	TRAVIS		486



NO.	DATE	REVISION	APPR BY



HDR Engineering, Inc.  
 Firm Registration No. F-754  
 710 Hester Crossing, Suite 150  
 Round Rock, Texas 78681

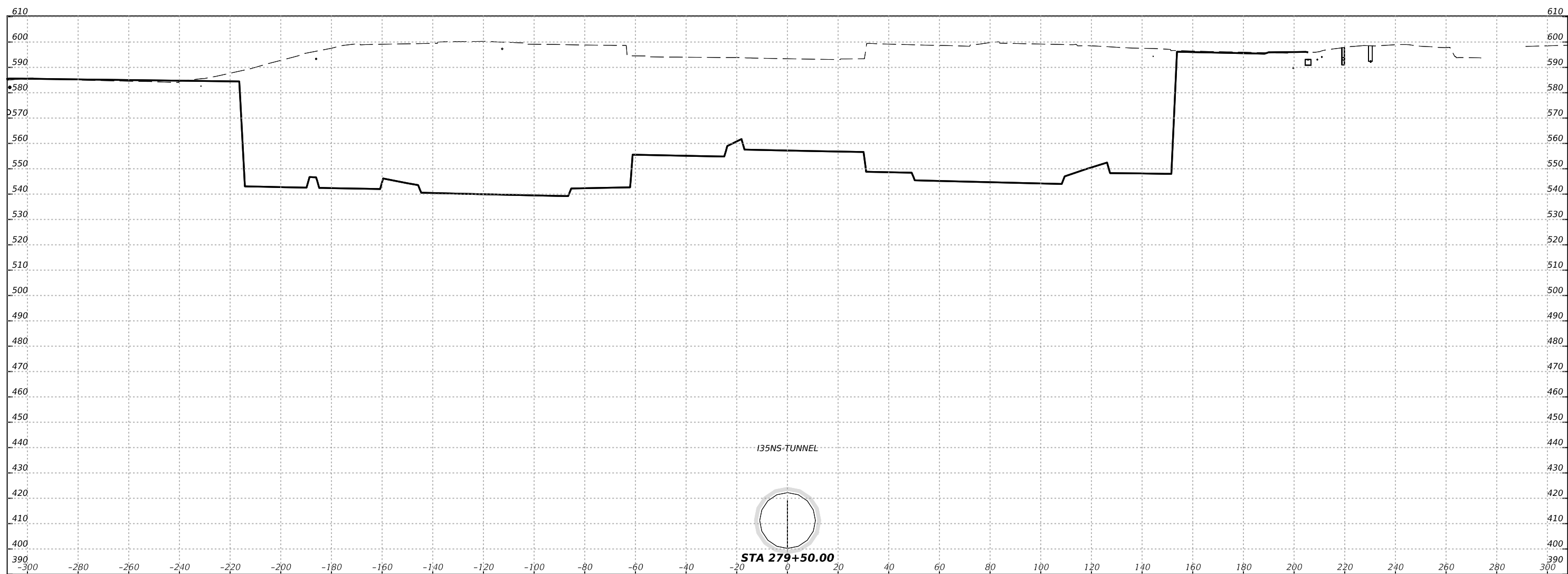


CAPITAL EXPRESS CENTRAL  
 I-35 TUNNEL  
 STA 279+00.00

SCALE: HORIZ: 1"=40'  
 VERT: 1"=40'

CONT	SECT	JOB	HIGHWAY
0015	13	433, ETC.	I-35
DIST	COUNTY		SHEET NO.
AUS	TRAVIS		487





NO.	DATE	REVISION	APPR BY



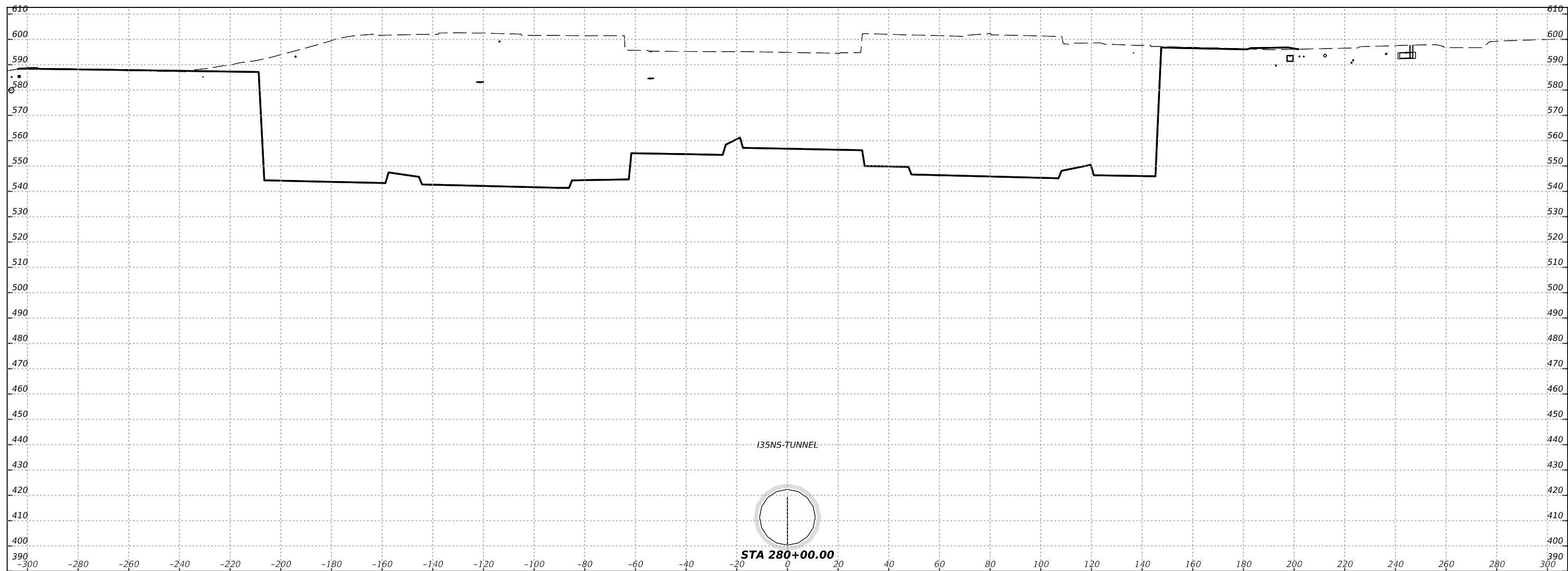
HDR Engineering, Inc.  
 Firm Registration No. F-754  
 710 Hester Crossing, Suite 150  
 Round Rock, Texas 78681



CAPITAL EXPRESS CENTRAL  
 I-35 TUNNEL  
 STA 279+50.00

SCALE: HORIZ: 1"=40'  
 VERT: 1"=40'

CONT	SECT	JOB	HIGHWAY
0015	13	433, ETC.	I-35
DIST	COUNTY		SHEET NO.
AUS	TRAVIS		488



NO.	DATE	REVISION	APPR BY



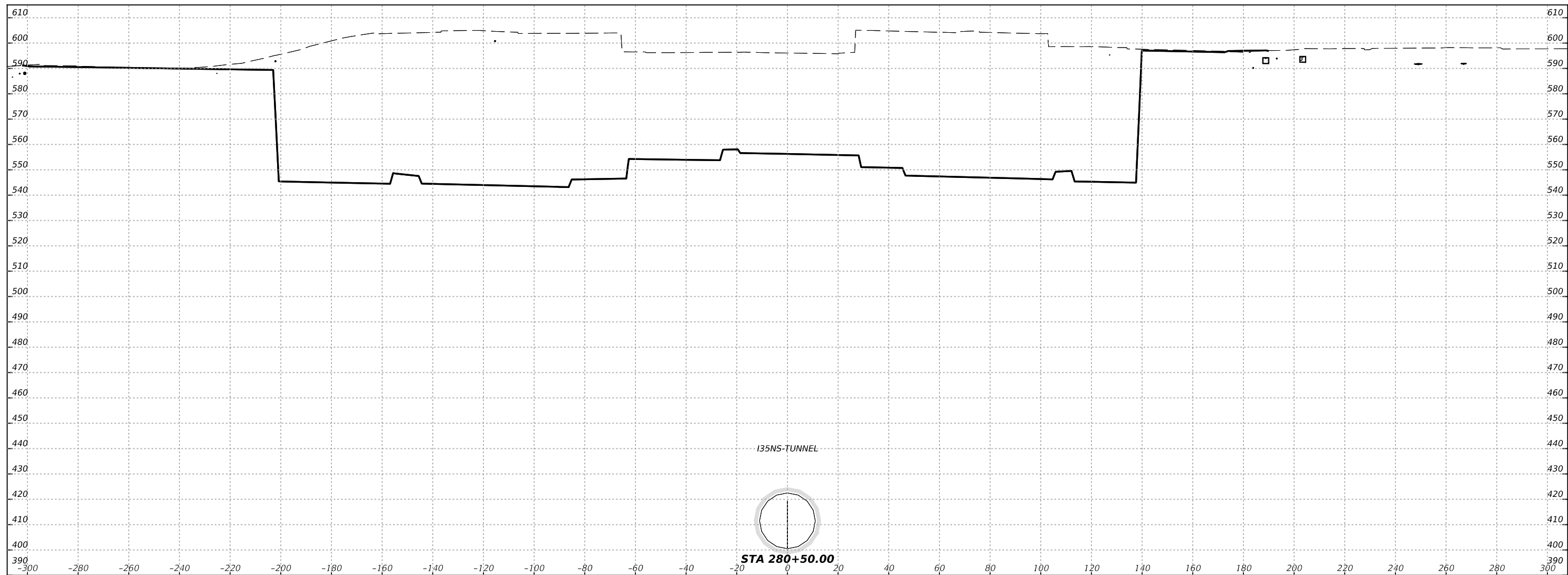
HDR Engineering, Inc.  
 Firm Registration No. F-754  
 710 Hester Crossing, Suite 150  
 Round Rock, Texas 78681



CAPITAL EXPRESS CENTRAL  
 I-35 TUNNEL  
 STA 280+00.00

SCALE: HORIZ: 1"=40'  
 VERT: 1"=40'

CONT	SECT	JOB	HIGHWAY
0015	13	433, ETC.	I-35
DIST COUNTY			SHEET NO.
AUS	TRAVIS		489



NO.	DATE	REVISION	APPR BY



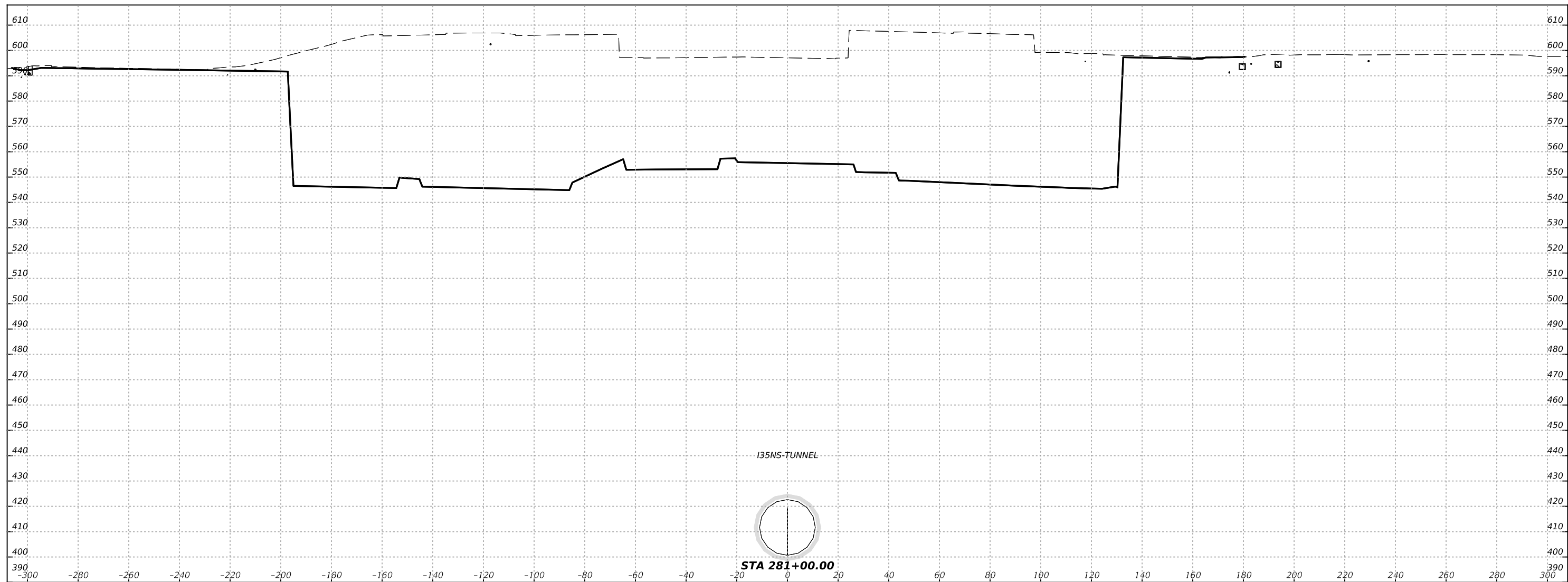
HDR Engineering, Inc.  
 Firm Registration No. F-754  
 710 Hester Crossing, Suite 150  
 Round Rock, Texas 78681



CAPITAL EXPRESS CENTRAL  
 I-35 TUNNEL  
 STA 280+50.00

SCALE: HORIZ: 1"=40'  
 VERT: 1"=40'

CONT	SECT	JOB	HIGHWAY
0015	13	433, ETC.	I-35
DIST	COUNTY		SHEET NO.
AUS	TRAVIS		490



NO.	DATE	REVISION	APPR BY



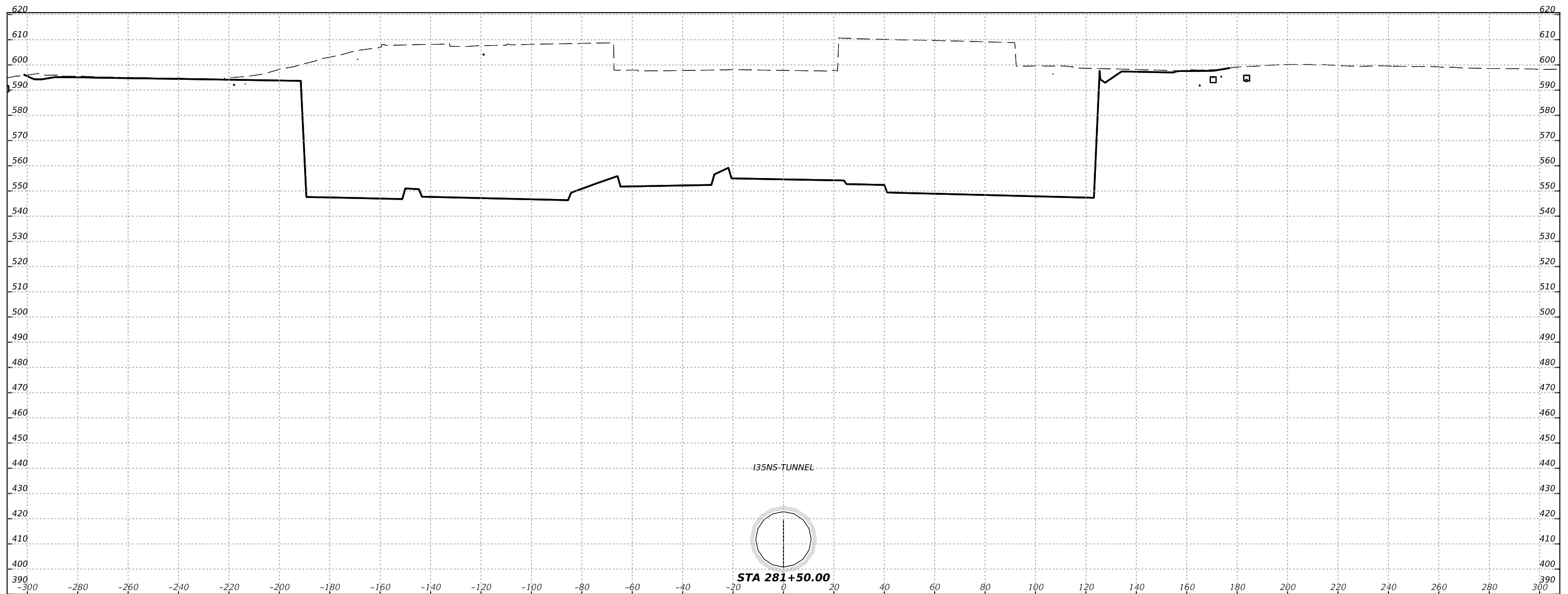
HDR Engineering, Inc.  
 Firm Registration No. F-754  
 710 Hester Crossing, Suite 150  
 Round Rock, Texas 78681



CAPITAL EXPRESS CENTRAL  
 I-35 TUNNEL  
 STA 281+00.00

SCALE: HORIZ: 1"=40'  
 VERT: 1"=40'

CONT	SECT	JOB	HIGHWAY
0015	13	433, ETC.	I-35
DIST			COUNTY
AUS			TRAVIS
SHEET NO.			491



NO.	DATE	REVISION	APPR BY



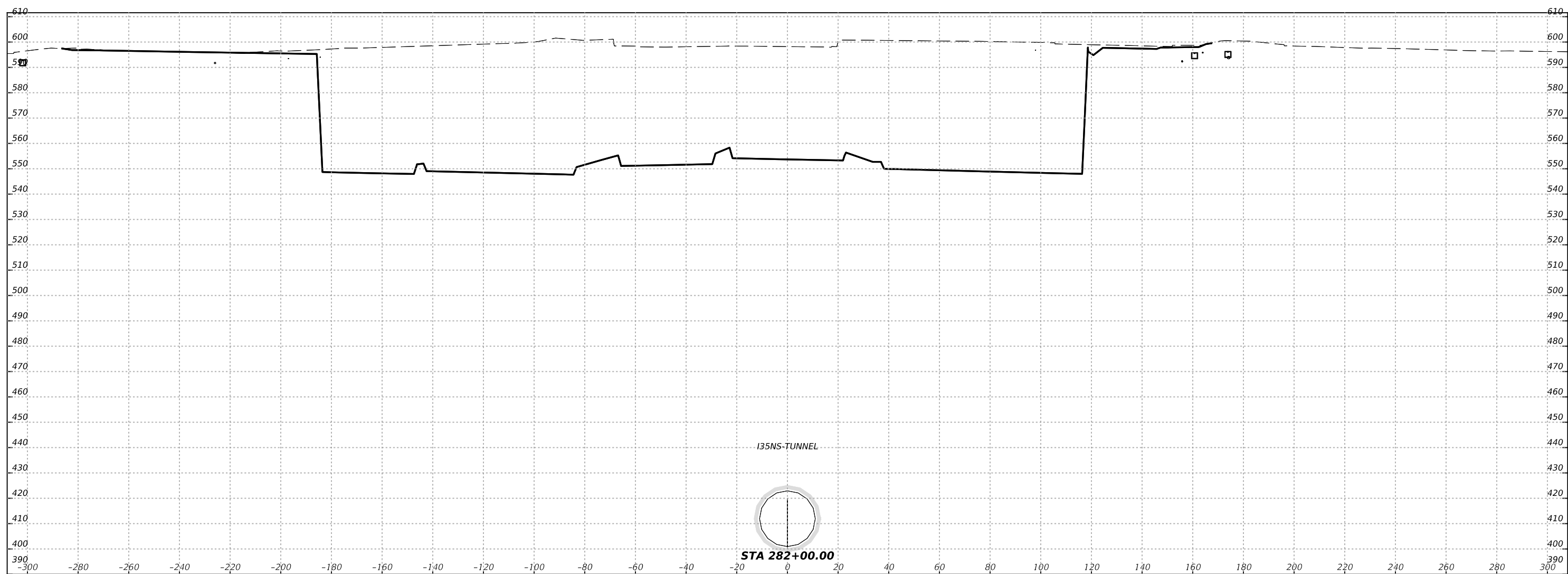
HDR Engineering, Inc.  
 Firm Registration No. F-754  
 710 Hester Crossing, Suite 150  
 Round Rock, Texas 78681



CAPITAL EXPRESS CENTRAL  
 I-35 TUNNEL  
 STA 281+50.00

SCALE: HORIZ: 1"=40'  
 VERT: 1"=40'

CONT	SECT	JOB	HIGHWAY
0015	13	433, ETC.	I-35
DIST	COUNTY		SHEET NO.
AUS	TRAVIS		492



NO.	DATE	REVISION	APPR BY



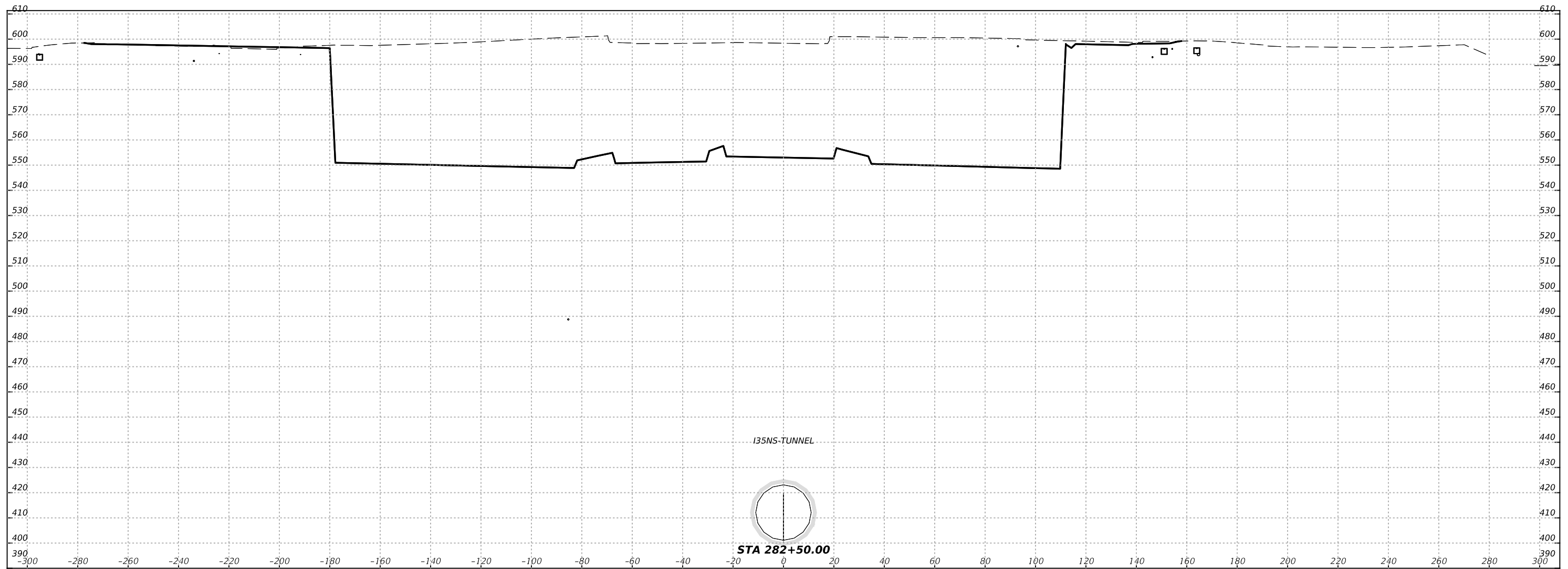
HDR Engineering, Inc.  
 Firm Registration No. F-754  
 710 Hester Crossing, Suite 150  
 Round Rock, Texas 78681



CAPITAL EXPRESS CENTRAL  
 I-35 TUNNEL  
 STA 282+00.00

SCALE: HORIZ: 1"=40'  
 VERT: 1"=40'

CONT	SECT	JOB	HIGHWAY
0015	13	433, ETC.	I-35
DIST	COUNTY		SHEET NO.
AUS	TRAVIS		493



NO.	DATE	REVISION	APPR BY



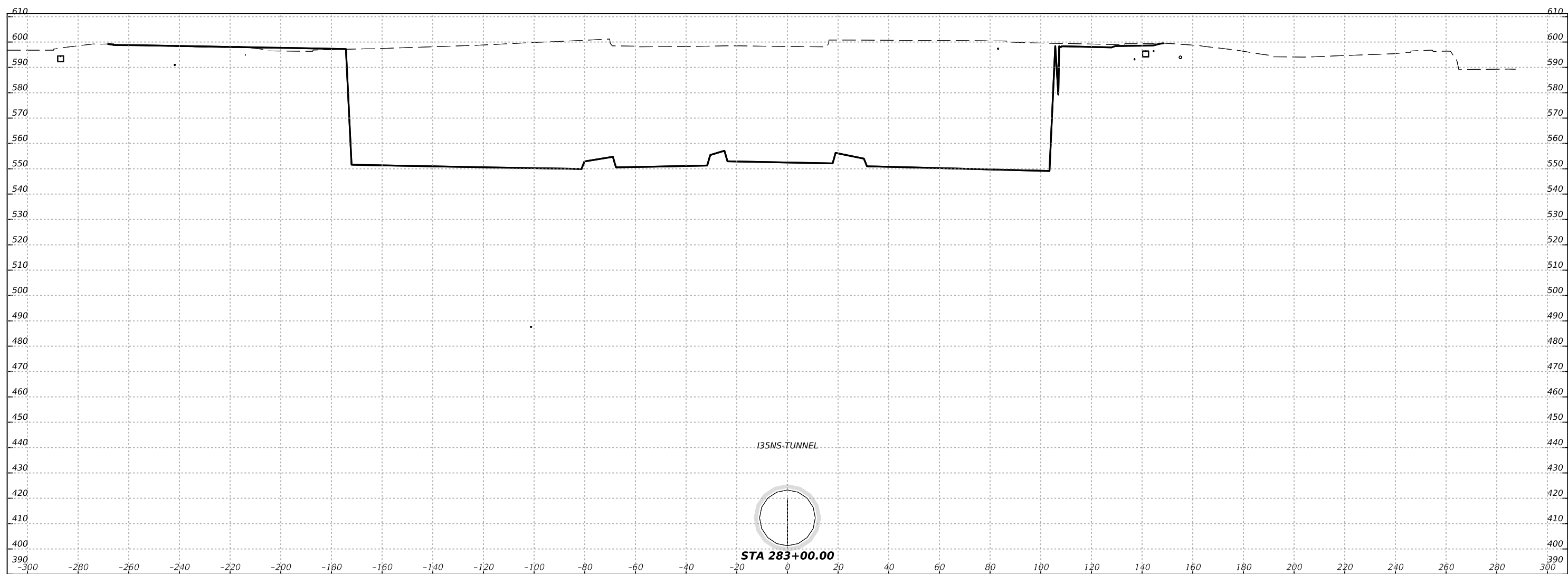
HDR Engineering, Inc.  
 Firm Registration No. F-754  
 710 Hester Crossing, Suite 150  
 Round Rock, Texas 78681



CAPITAL EXPRESS CENTRAL  
 I-35 TUNNEL  
 STA 282+50.00

SCALE: HORIZ: 1"=40'  
 VERT: 1"=40'

CONT	SECT	JOB	HIGHWAY
0015	13	433, ETC.	I-35
DIST	COUNTY		SHEET NO.
AUS	TRAVIS		494



NO.	DATE	REVISION	APPR BY



HDR Engineering, Inc.  
 Firm Registration No. F-754  
 710 Hester Crossing, Suite 150  
 Round Rock, Texas 78681

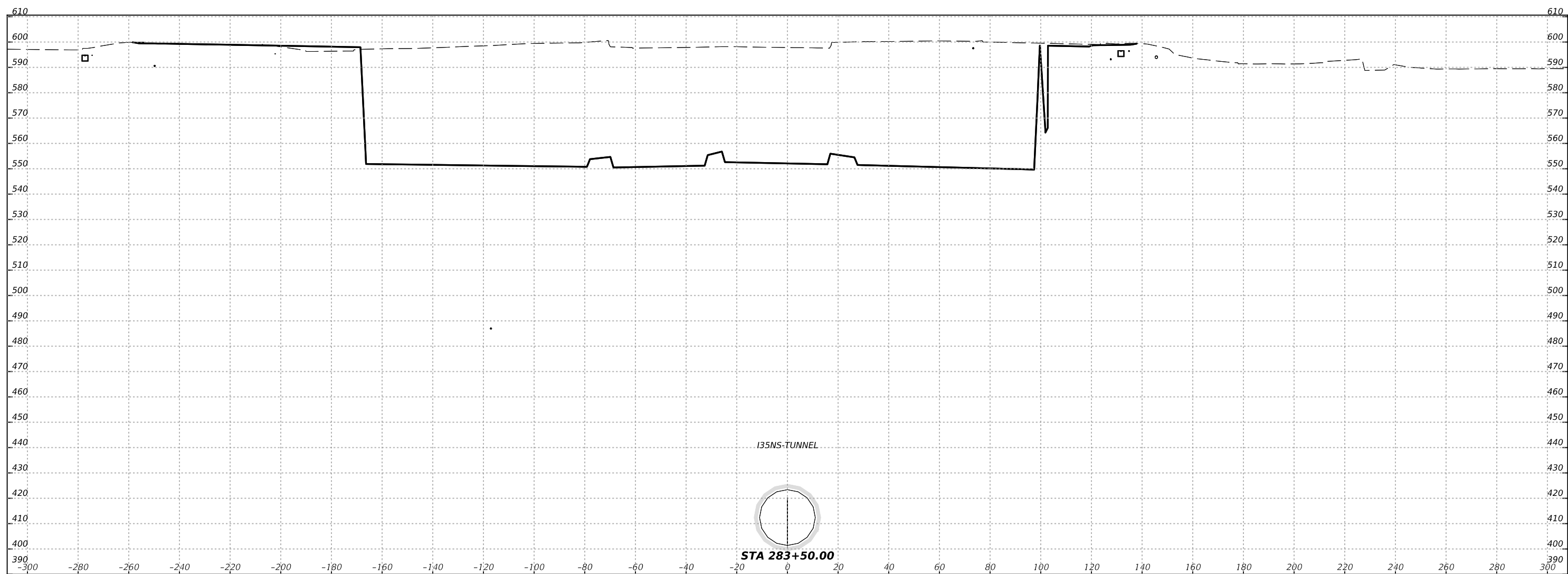


CAPITAL EXPRESS CENTRAL  
 I-35 TUNNEL  
 STA 283+00.00

SCALE: HORIZ: 1"=40'  
 VERT: 1"=40'

CONT	SECT	JOB	HIGHWAY
0015	13	433, ETC.	I-35
DIST	COUNTY		SHEET NO.
AUS	TRAVIS		495





NO.	DATE	REVISION	APPR BY



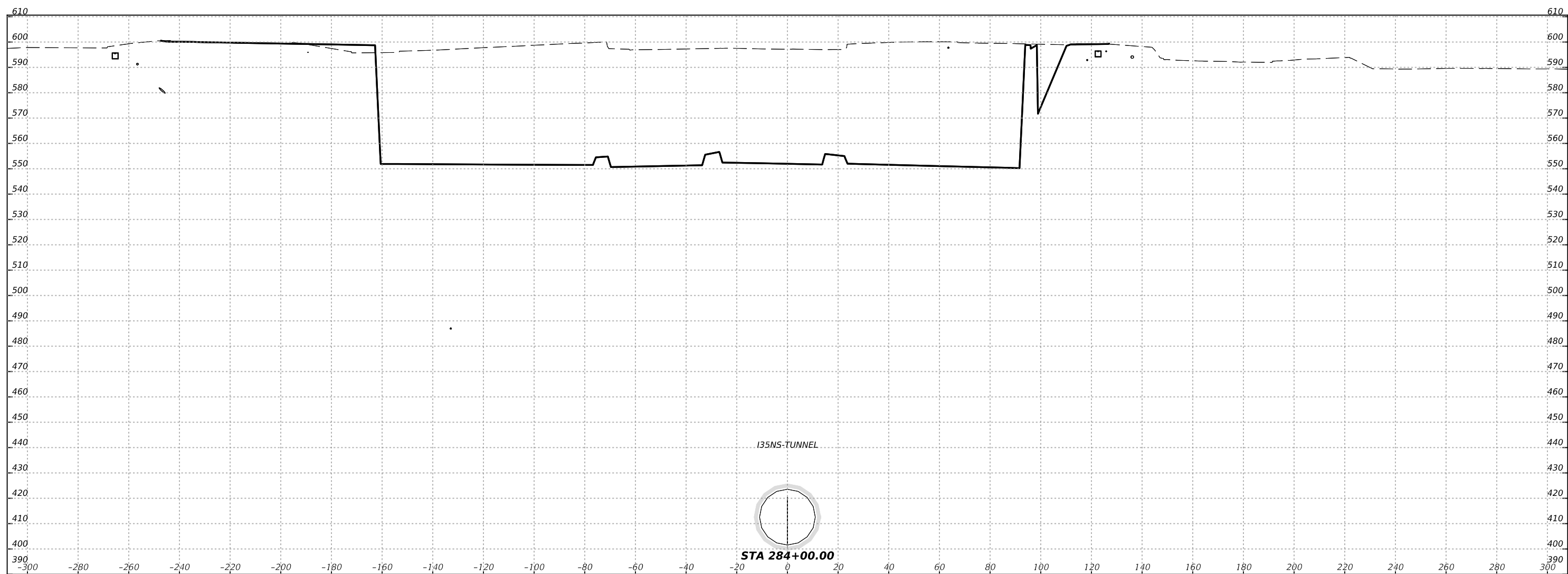
HDR Engineering, Inc.  
 Firm Registration No. F-754  
 710 Hester Crossing, Suite 150  
 Round Rock, Texas 78681



CAPITAL EXPRESS CENTRAL  
 I-35 TUNNEL  
 STA 283+50.00

SCALE: HORIZ: 1"=40'  
 VERT: 1"=40'

CONT	SECT	JOB	HIGHWAY
0015	13	433, ETC.	I-35
DIST	COUNTY		SHEET NO.
AUS	TRAVIS		496



NO.	DATE	REVISION	APPR BY



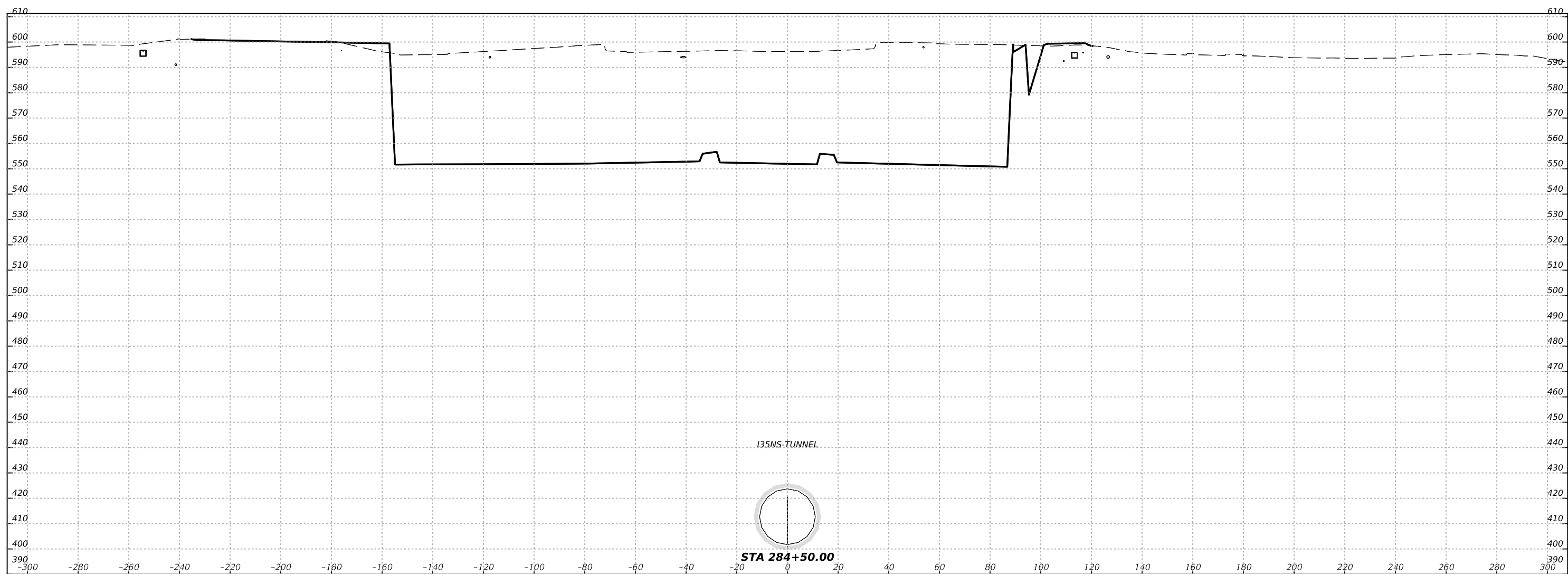
HDR Engineering, Inc.  
 Firm Registration No. F-754  
 710 Hester Crossing, Suite 150  
 Round Rock, Texas 78681



CAPITAL EXPRESS CENTRAL  
 I-35 TUNNEL  
 STA 284+00.00

SCALE: HORIZ: 1"=40'  
 VERT: 1"=40'

CONT	SECT	JOB	HIGHWAY
0015	13	433, ETC.	I-35
DIST	COUNTY		SHEET NO.
AUS	TRAVIS		497



NO.	DATE	REVISION	APPR BY



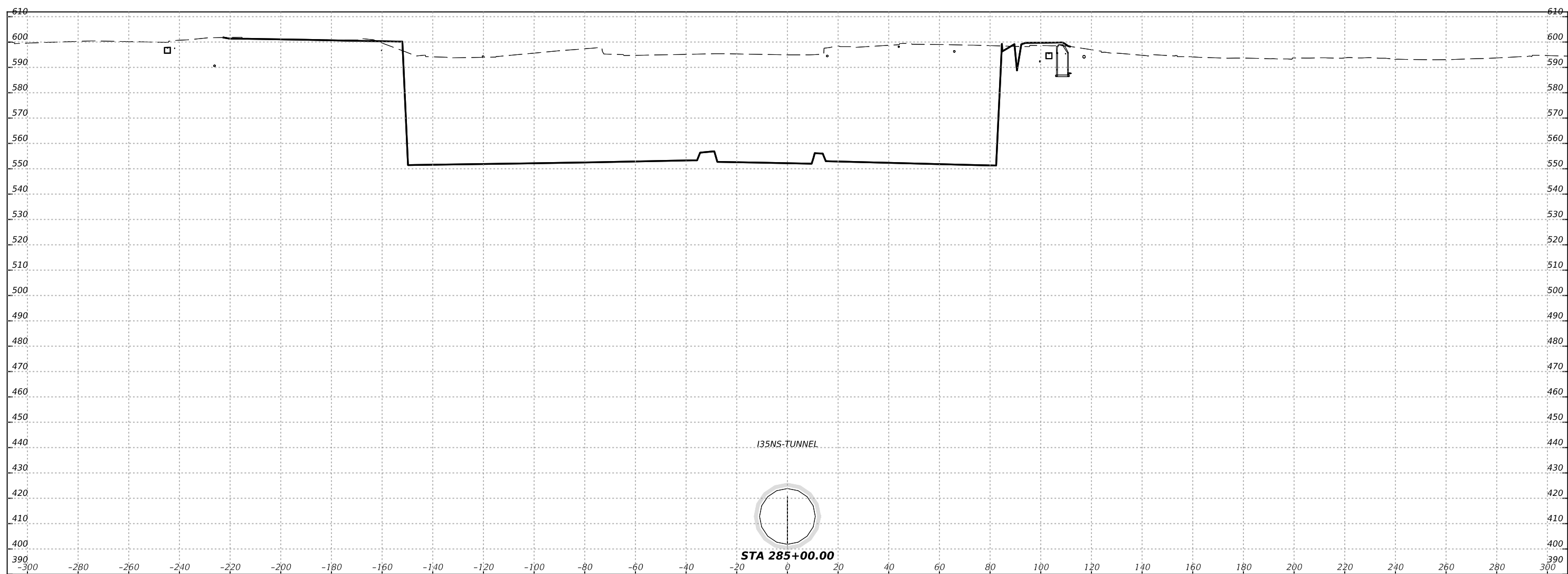
HDR Engineering, Inc.  
 Firm Registration No. F-754  
 710 Hester Crossing, Suite 150  
 Round Rock, Texas 78681



CAPITAL EXPRESS CENTRAL  
 I-35 TUNNEL  
 STA 284+50.00

SCALE: HORIZ: 1"=40'  
 VERT: 1"=40'

CONT	SECT	JOB	HIGHWAY
0015	13	433, ETC.	I-35
DIST	COUNTY		SHEET NO.
AUS	TRAVIS		498



NO.	DATE	REVISION	APPR BY



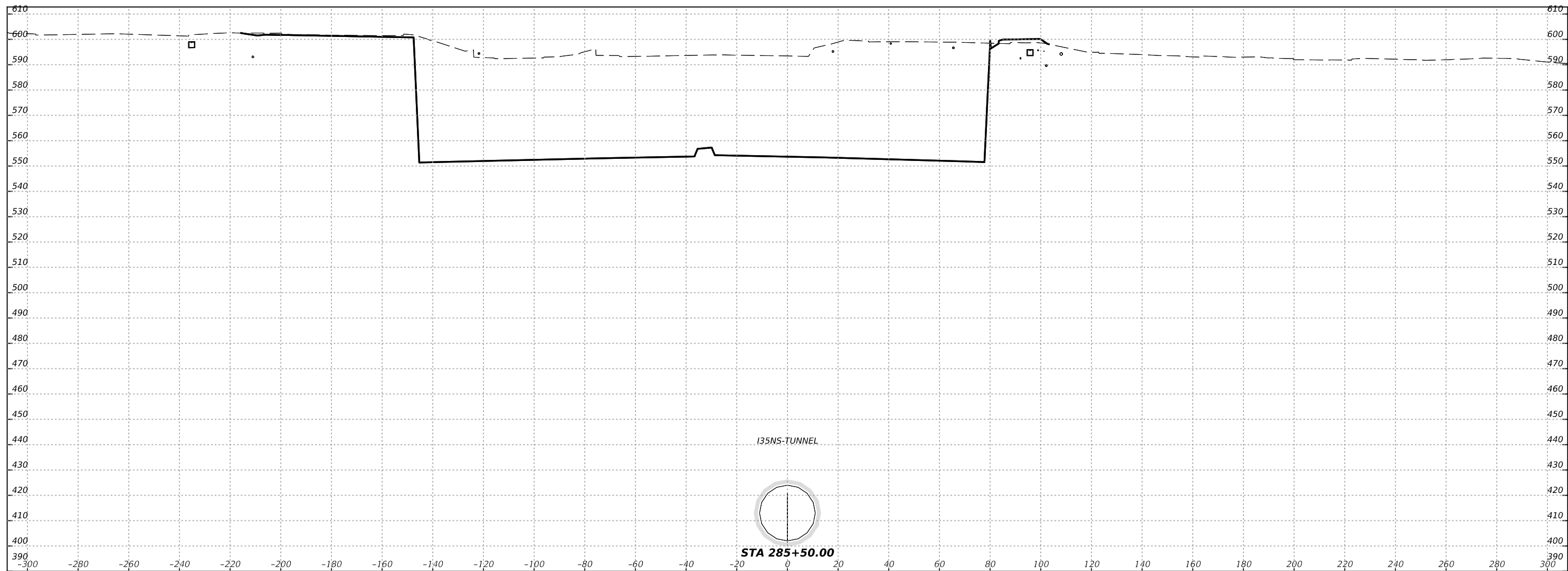
HDR Engineering, Inc.  
 Firm Registration No. F-754  
 710 Hester Crossing, Suite 150  
 Round Rock, Texas 78681



CAPITAL EXPRESS CENTRAL  
 I-35 TUNNEL  
 STA 285+00.00

SCALE: HORIZ: 1"=40'  
 VERT: 1"=40'

CONT	SECT	JOB	HIGHWAY
0015	13	433, ETC.	I-35
DIST	COUNTY		SHEET NO.
AUS	TRAVIS		499



NO.	DATE	REVISION	APPR BY



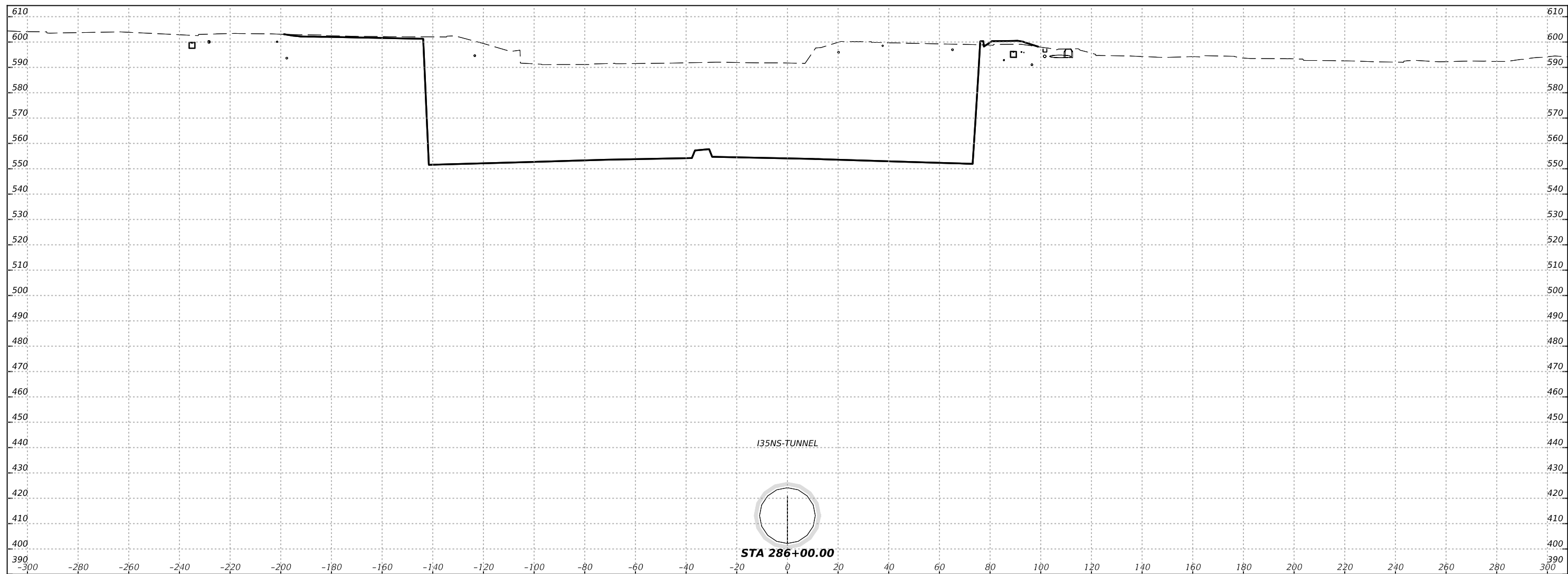
HDR Engineering, Inc.  
 Firm Registration No. F-754  
 710 Hester Crossing, Suite 150  
 Round Rock, Texas 78681



CAPITAL EXPRESS CENTRAL  
 I-35 TUNNEL  
 STA 285+50.00

SCALE: HORIZ: 1"=40'  
 VERT: 1"=40'

CONT	SECT	JOB	HIGHWAY
0015	13	433, ETC.	I-35
DIST	COUNTY		SHEET NO.
AUS	TRAVIS		500



NO.	DATE	REVISION	APPR BY



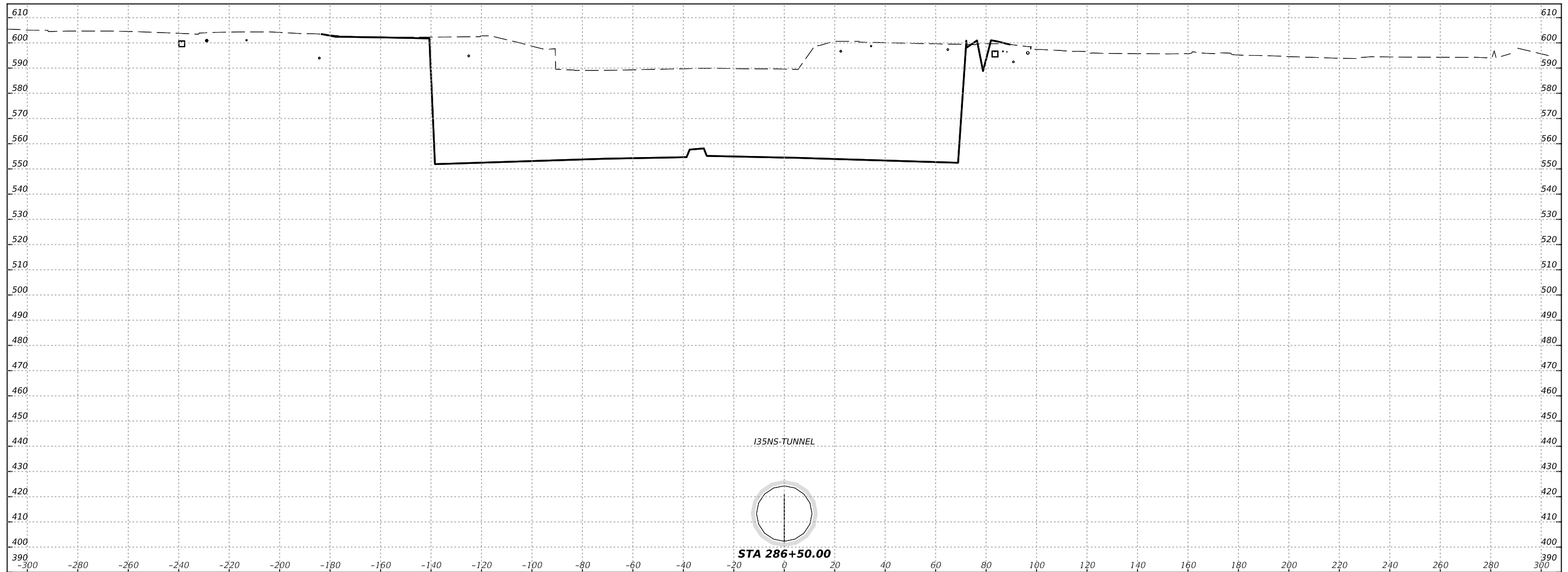
HDR Engineering, Inc.  
 Firm Registration No. F-754  
 710 Hester Crossing, Suite 150  
 Round Rock, Texas 78681



CAPITAL EXPRESS CENTRAL  
 I-35 TUNNEL  
 STA 286+00.00

SCALE: HORIZ: 1"=40'  
 VERT: 1"=40'

CONT	SECT	JOB	HIGHWAY
0015	13	433, ETC.	I-35
DIST	COUNTY		SHEET NO.
AUS	TRAVIS		501



NO.	DATE	REVISION	APPR BY



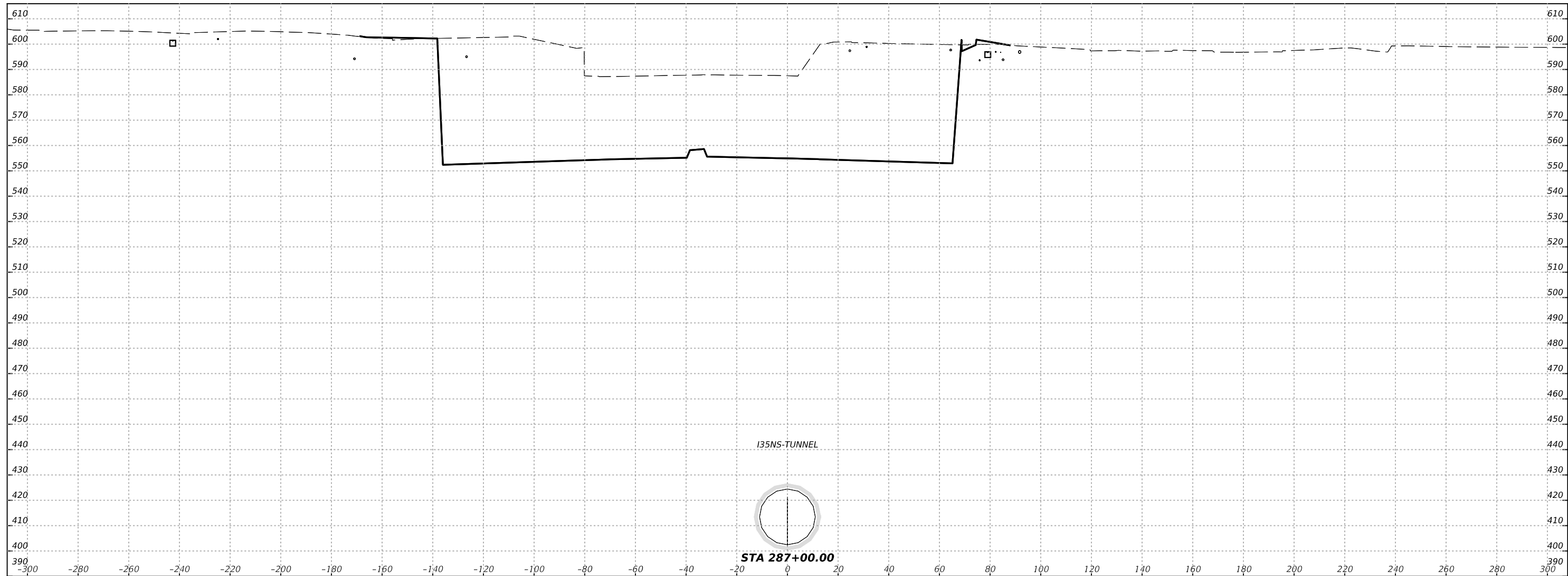
HDR Engineering, Inc.  
 Firm Registration No. F-754  
 710 Hester Crossing, Suite 150  
 Round Rock, Texas 78681



CAPITAL EXPRESS CENTRAL  
 I-35 TUNNEL  
 STA 286+50.00

SCALE: HORIZ: 1"=40'  
 VERT: 1"=40'

CONT	SECT	JOB	HIGHWAY
0015	13	433, ETC.	I-35
DIST	COUNTY		SHEET NO.
AUS	TRAVIS		502



NO.	DATE	REVISION	APPR BY



HDR Engineering, Inc.  
 Firm Registration No. F-754  
 710 Hester Crossing, Suite 150  
 Round Rock, Texas 78681

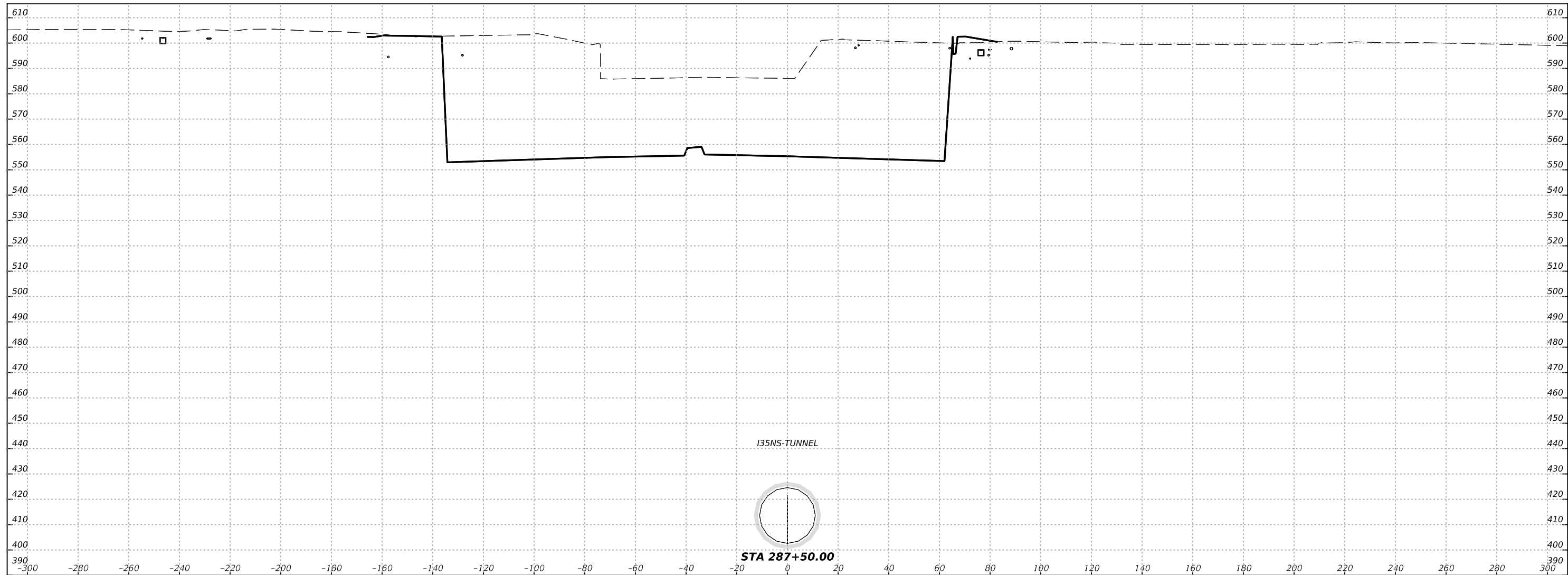


CAPITAL EXPRESS CENTRAL  
 I-35 TUNNEL  
 STA 287+00.00

SCALE: HORIZ: 1"=40'  
 VERT: 1"=40'

CONT	SECT	JOB	HIGHWAY
0015	13	433, ETC.	I-35
DIST	COUNTY	SHEET NO.	
AUS	TRAVIS	503	





NO.	DATE	REVISION	APPR BY



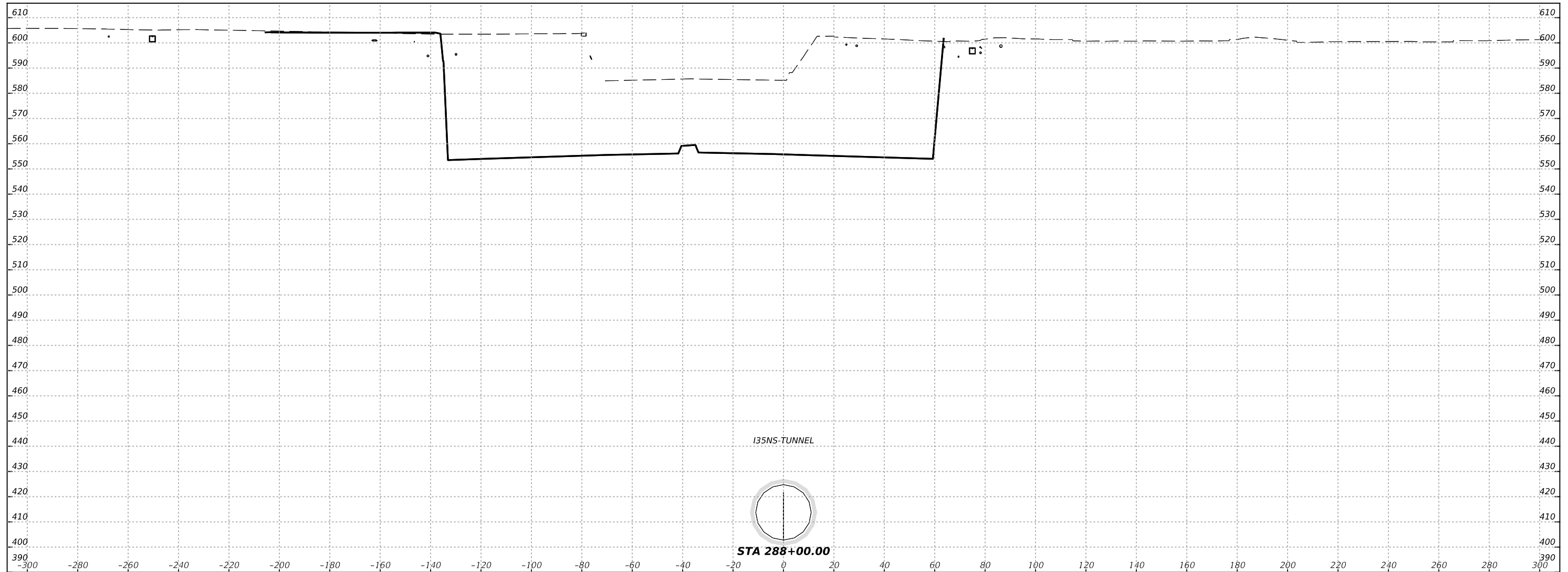
HDR Engineering, Inc.  
 Firm Registration No. F-754  
 710 Hester Crossing, Suite 150  
 Round Rock, Texas 78681



CAPITAL EXPRESS CENTRAL  
 I-35 TUNNEL  
 STA 287+50.00

SCALE: HORIZ: 1"=40'  
 VERT: 1"=40'

CONT	SECT	JOB	HIGHWAY
0015	13	433, ETC.	I-35
DIST	COUNTY		SHEET NO.
AUS	TRAVIS		504



NO.	DATE	REVISION	APPR BY



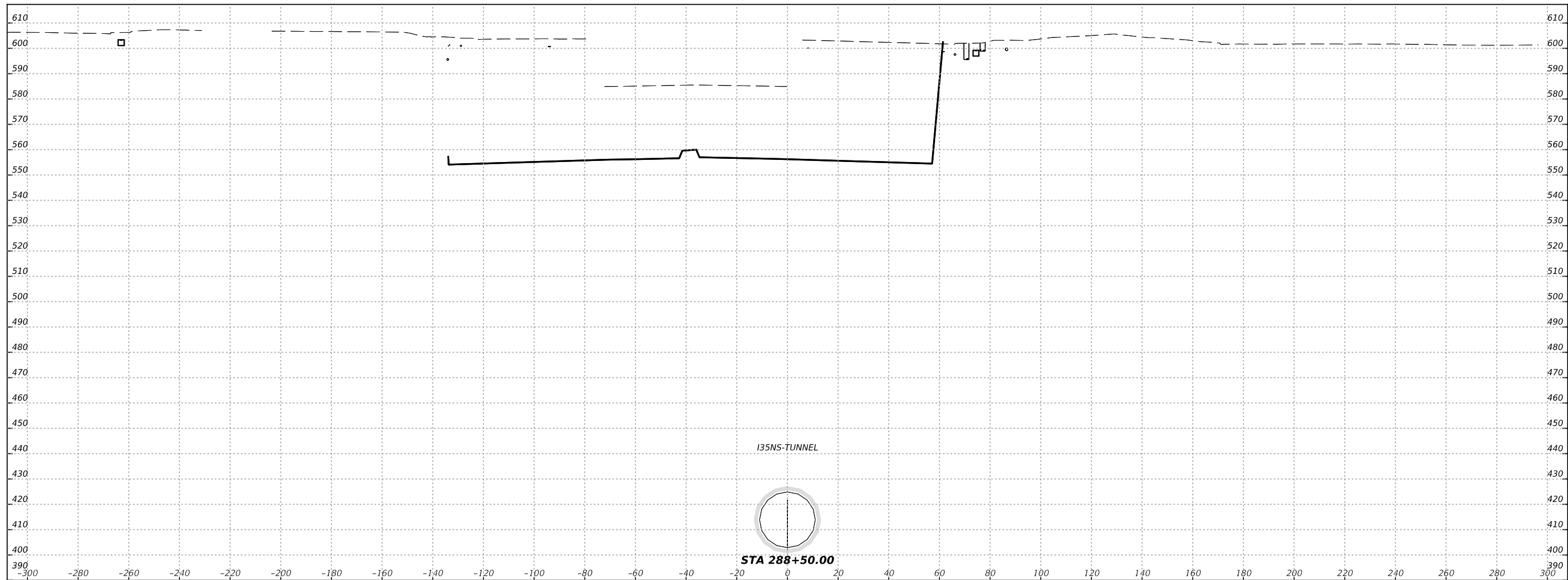
HDR Engineering, Inc.  
 Firm Registration No. F-754  
 710 Hester Crossing, Suite 150  
 Round Rock, Texas 78681



CAPITAL EXPRESS CENTRAL  
 I-35 TUNNEL  
 STA 288+00.00

SCALE: HORIZ: 1"=40'  
 VERT: 1"=40'

CONT	SECT	JOB	HIGHWAY
0015	13	433, ETC.	I-35
DIST COUNTY			SHEET NO.
AUS	TRAVIS		505



NO.	DATE	REVISION	APPR BY



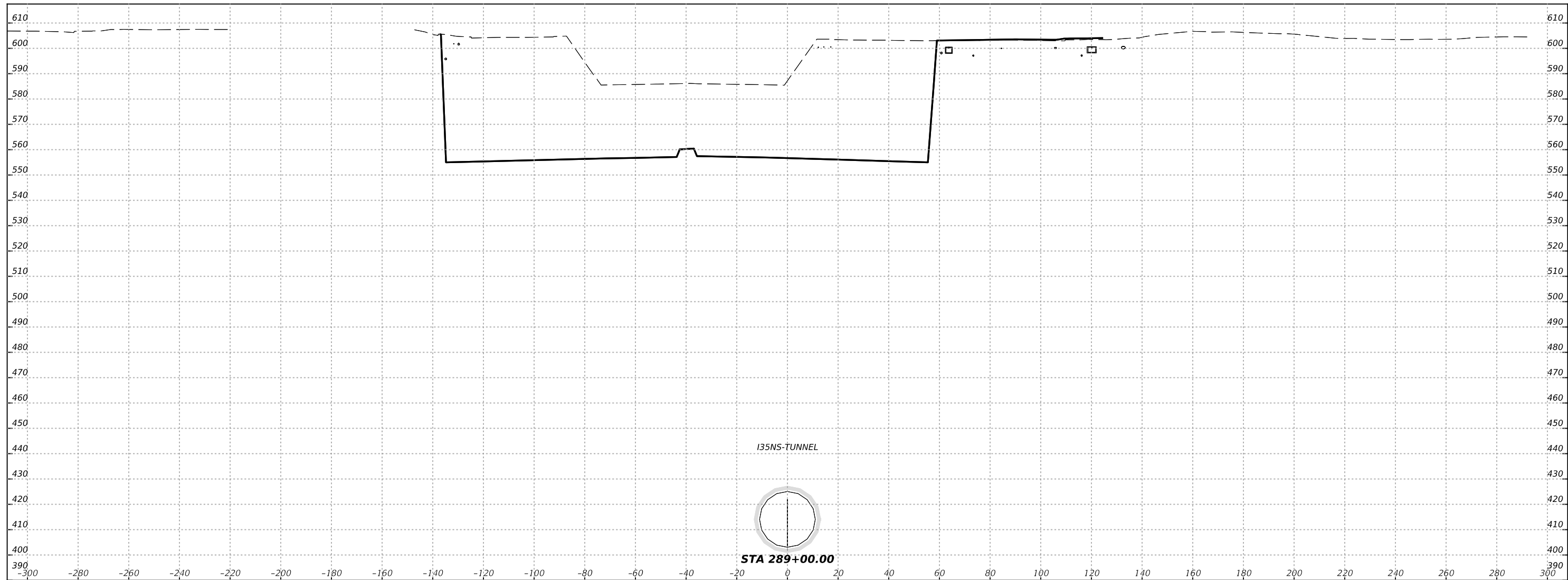
HDR Engineering, Inc.  
 Firm Registration No. F-754  
 710 Hester Crossing, Suite 150  
 Round Rock, Texas 78681



CAPITAL EXPRESS CENTRAL  
 I-35 TUNNEL  
 STA 288+50.00

SCALE: HORIZ: 1"=40'  
 VERT: 1"=40'

CONT	SECT	JOB	HIGHWAY
0015	13	433, ETC.	I-35
DIST	COUNTY		SHEET NO.
AUS	TRAVIS		506



NO.	DATE	REVISION	APPR BY



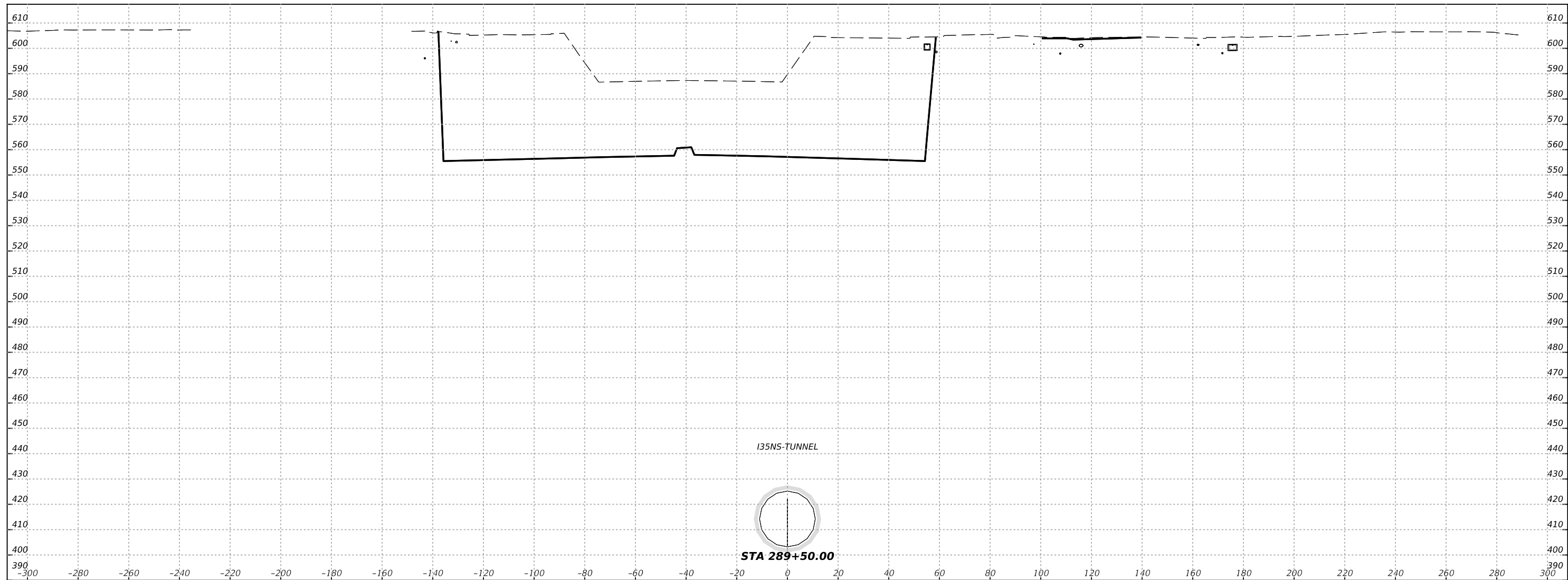
HDR Engineering, Inc.  
 Firm Registration No. F-754  
 710 Hester Crossing, Suite 150  
 Round Rock, Texas 78681



CAPITAL EXPRESS CENTRAL  
 I-35 TUNNEL  
 STA 289+00.00

SCALE: HORIZ: 1"=40'  
 VERT: 1"=40'

CONT	SECT	JOB	HIGHWAY
0015	13	433, ETC.	I-35
DIST	COUNTY		SHEET NO.
AUS	TRAVIS		507



NO.	DATE	REVISION	APPR BY



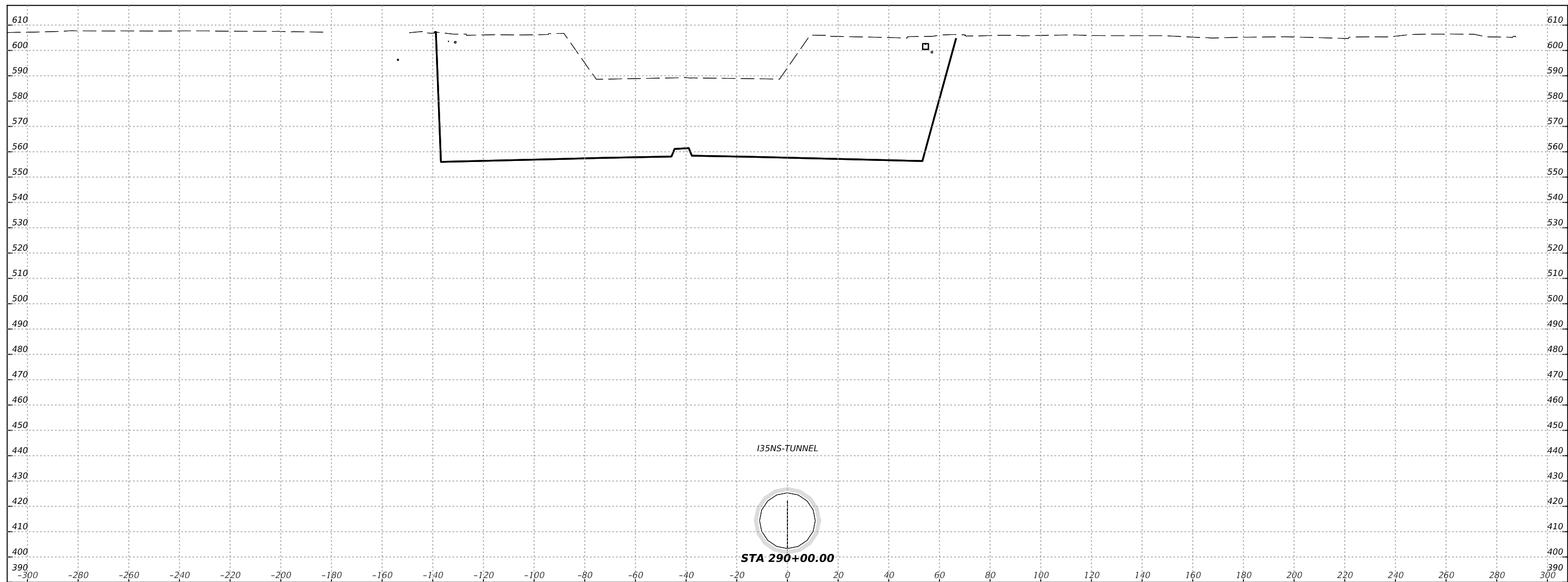
HDR Engineering, Inc.  
 Firm Registration No. F-754  
 710 Hester Crossing, Suite 150  
 Round Rock, Texas 78681



CAPITAL EXPRESS CENTRAL  
 I-35 TUNNEL  
 STA 289+50.00

SCALE: HORIZ: 1"=40'  
 VERT: 1"=40'

CONT	SECT	JOB	HIGHWAY
0015	13	433, ETC.	I-35
DIST	COUNTY		SHEET NO.
AUS	TRAVIS		508



NO.	DATE	REVISION	APPR BY



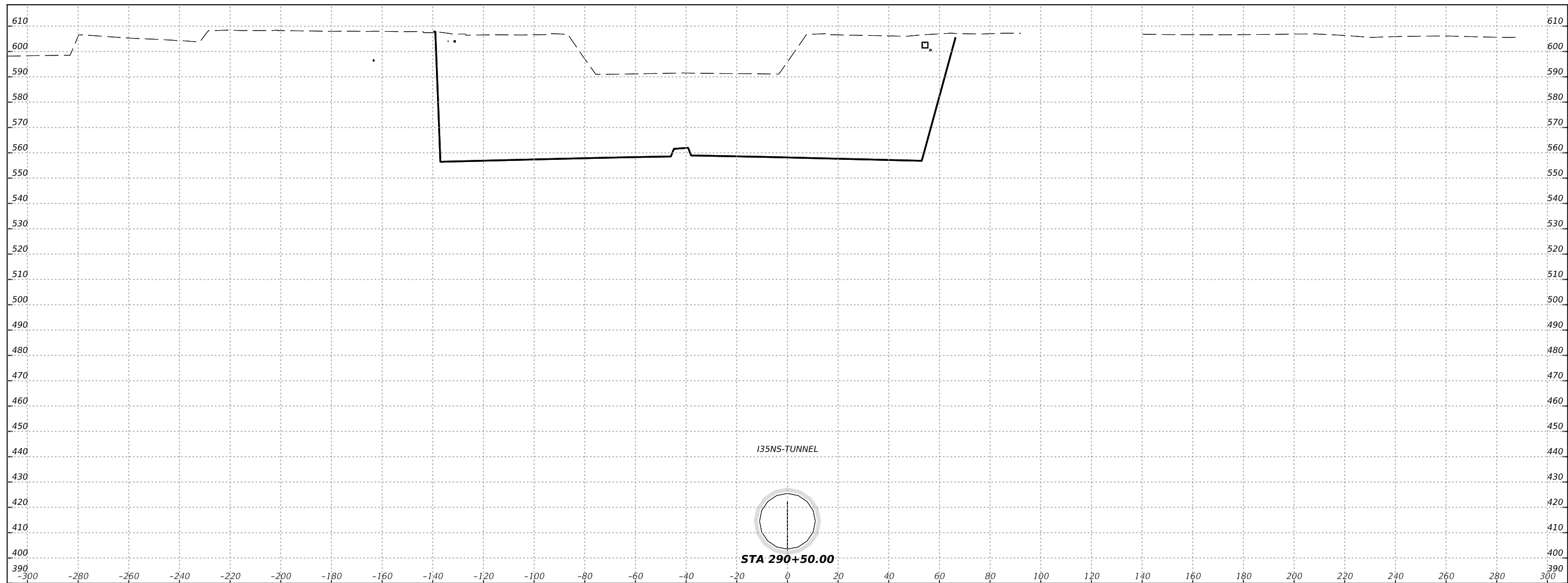
HDR Engineering, Inc.  
 Firm Registration No. F-754  
 710 Hester Crossing, Suite 150  
 Round Rock, Texas 78681



CAPITAL EXPRESS CENTRAL  
 I-35 TUNNEL  
 STA 290+00.00

SCALE: HORIZ: 1"=40'  
 VERT: 1"=40'

CONT	SECT	JOB	HIGHWAY
0015	13	433, ETC.	I-35
DIST	COUNTY		SHEET NO.
AUS	TRAVIS		509



NO.	DATE	REVISION	APPR BY



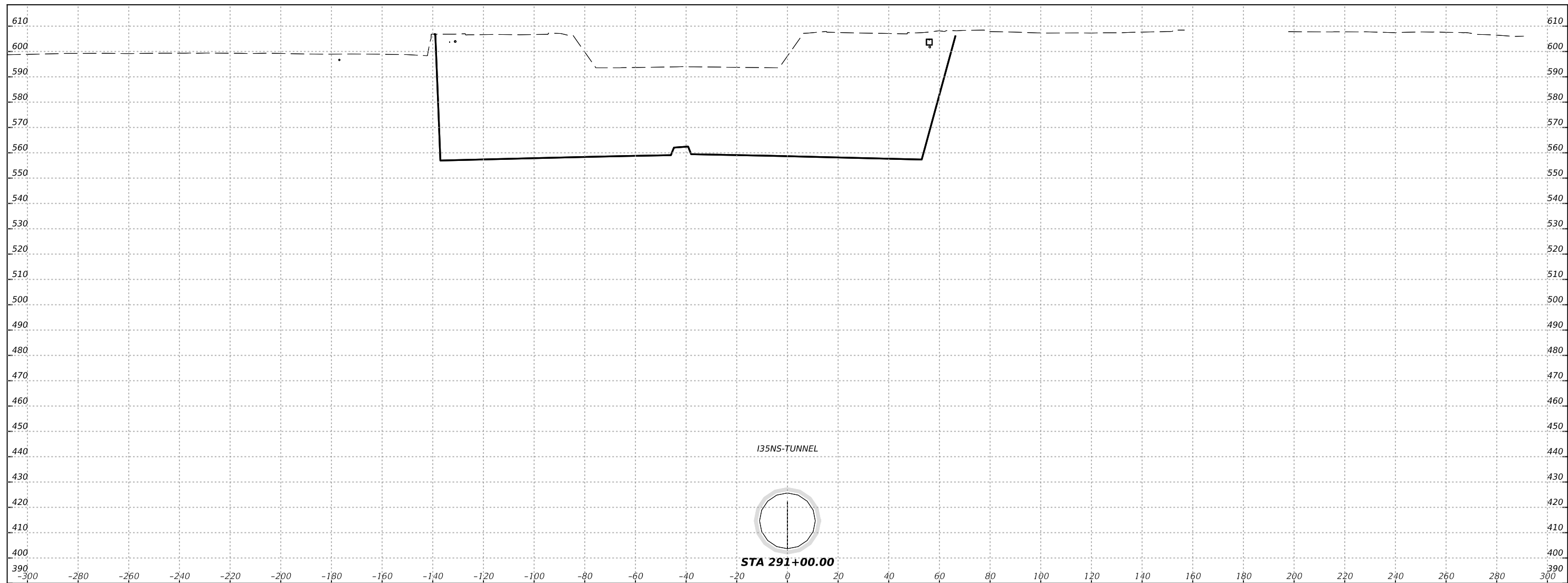
HDR Engineering, Inc.  
 Firm Registration No. F-754  
 710 Hester Crossing, Suite 150  
 Round Rock, Texas 78681



CAPITAL EXPRESS CENTRAL  
 I-35 TUNNEL  
 STA 290+50.00

SCALE: HORIZ: 1"=40'  
 VERT: 1"=40'

CONT	SECT	JOB	HIGHWAY
0015	13	433, ETC.	I-35
DIST	COUNTY		SHEET NO.
AUS	TRAVIS		510



NO.	DATE	REVISION	APPR BY



HDR Engineering, Inc.  
 Firm Registration No. F-754  
 710 Hester Crossing, Suite 150  
 Round Rock, Texas 78681

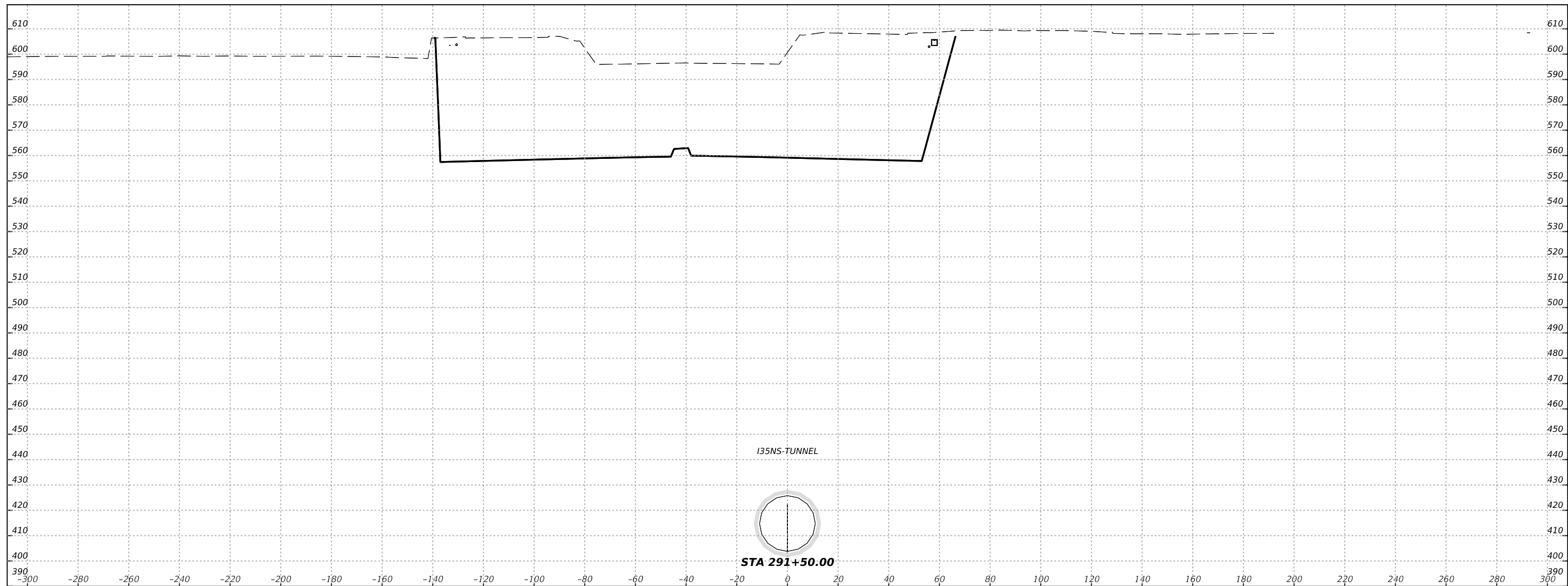


CAPITAL EXPRESS CENTRAL  
 I-35 TUNNEL  
 STA 291+00.00

SCALE: HORIZ: 1"=40'  
 VERT: 1"=40'

CONT	SECT	JOB	HIGHWAY
0015	13	433, ETC.	I-35
DIST	COUNTY		SHEET NO.
AUS	TRAVIS		511





135NS-TUNNEL

STA 291+50.00

NO.	DATE	REVISION	APPR BY



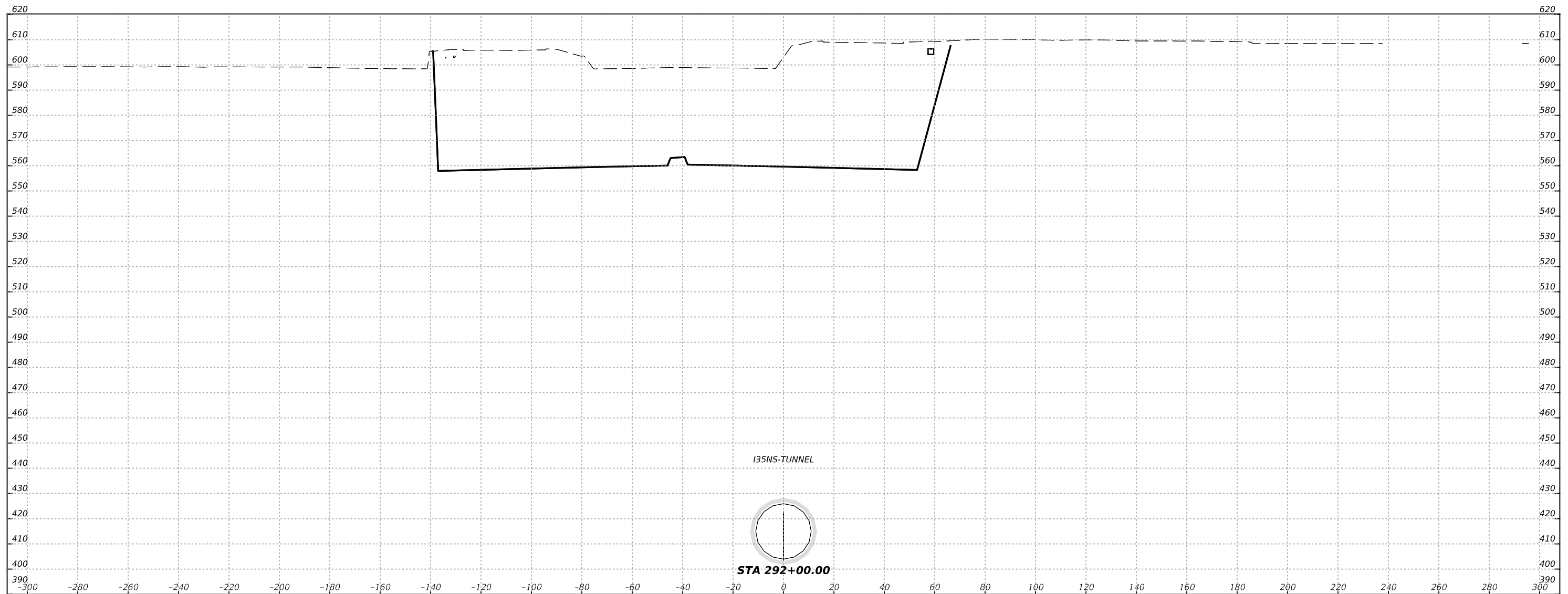
HDR Engineering, Inc.  
 Firm Registration No. F-754  
 710 Hester Crossing, Suite 150  
 Round Rock, Texas 78681



CAPITAL EXPRESS CENTRAL  
 @ I-35 TUNNEL  
 STA 291+50.00

SCALE: HORIZ: 1"=40'  
 VERT: 1"=40'

CONT	SECT	JOB	HIGHWAY
0015	13	433, ETC.	I-35
DIST	COUNTY	SHEET NO.	
AUS	TRAVIS	512	



NO.	DATE	REVISION	APPR BY



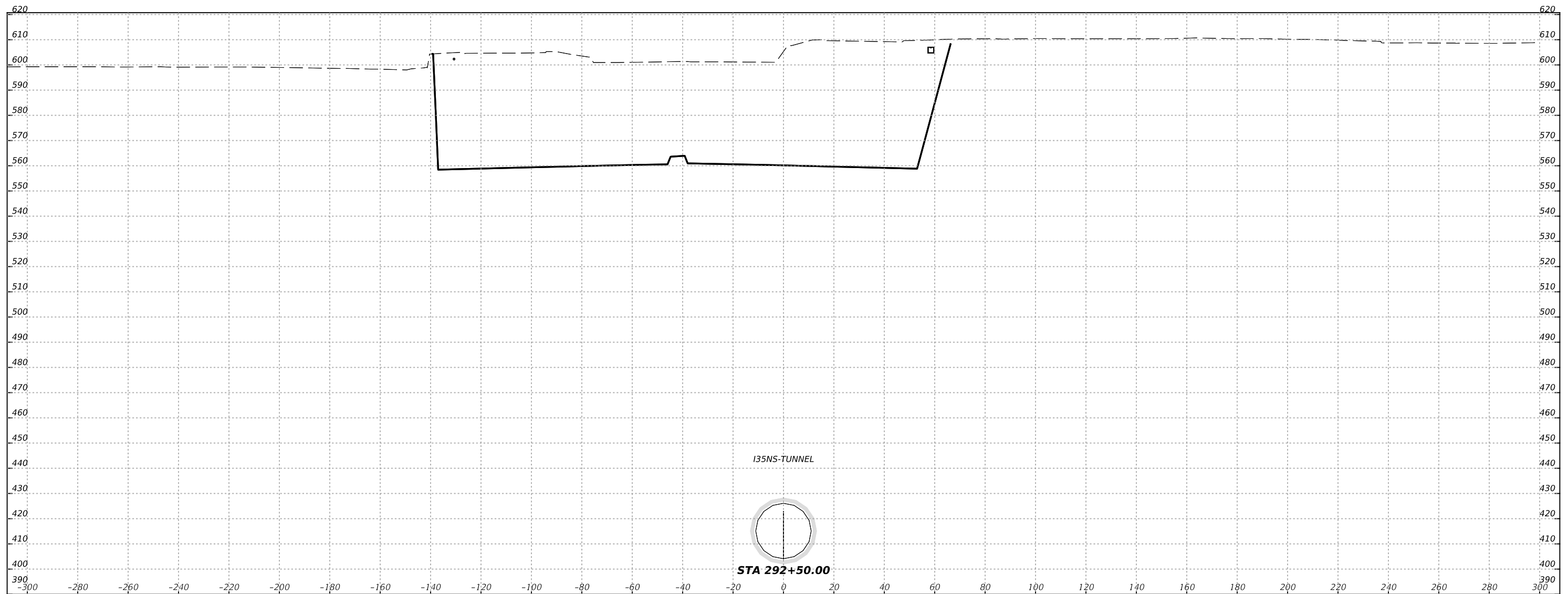
HDR Engineering, Inc.  
 Firm Registration No. F-754  
 710 Hester Crossing, Suite 150  
 Round Rock, Texas 78681



CAPITAL EXPRESS CENTRAL  
 I-35 TUNNEL  
 STA 292+00.00

SCALE: HORIZ: 1"=40'  
 VERT: 1"=40'

CONT	SECT	JOB	HIGHWAY
0015	13	433, ETC.	I-35
DIST	COUNTY		SHEET NO.
AUS	TRAVIS		513



NO.	DATE	REVISION	APPR BY



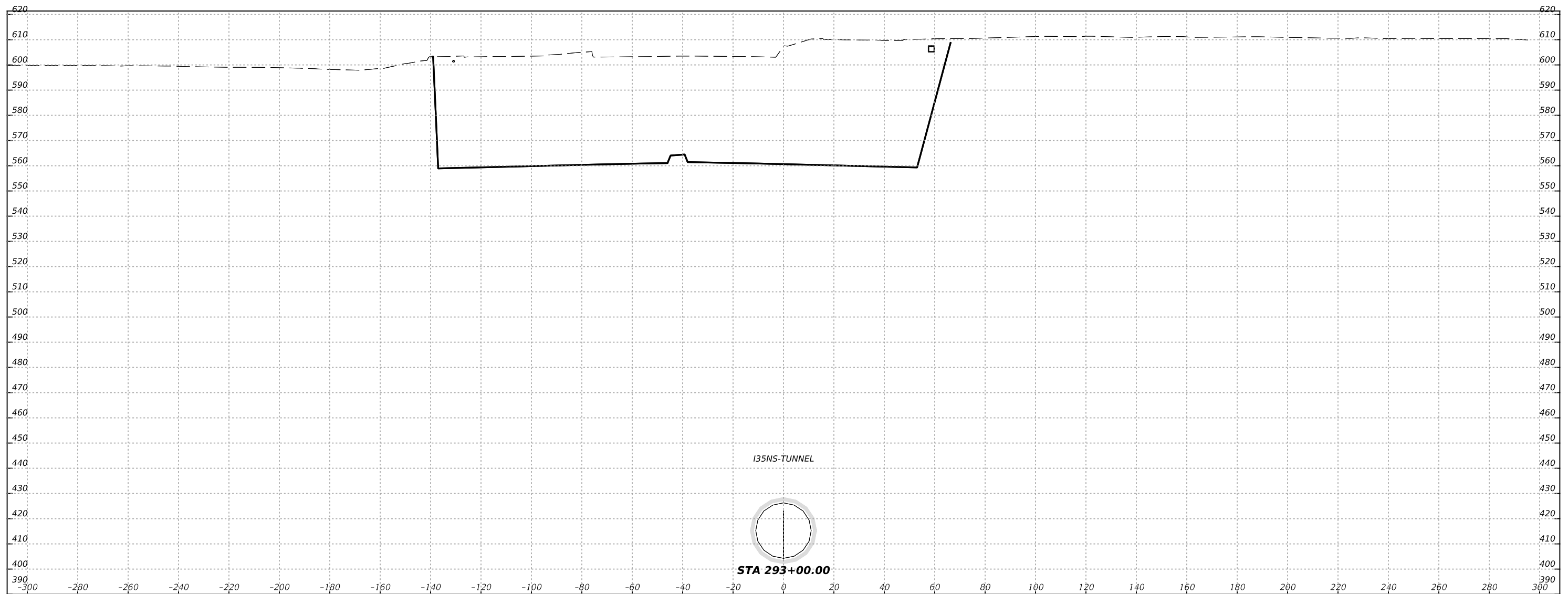
HDR Engineering, Inc.  
 Firm Registration No. F-754  
 710 Hester Crossing, Suite 150  
 Round Rock, Texas 78681



CAPITAL EXPRESS CENTRAL  
 @ I-35 TUNNEL  
 STA 292+50.00

SCALE: HORIZ: 1"=40'  
 VERT: 1"=40'

CONT	SECT	JOB	HIGHWAY
0015	13	433, ETC.	I-35
DIST	COUNTY		SHEET NO.
AUS	TRAVIS		514



NO.	DATE	REVISION	APPR BY



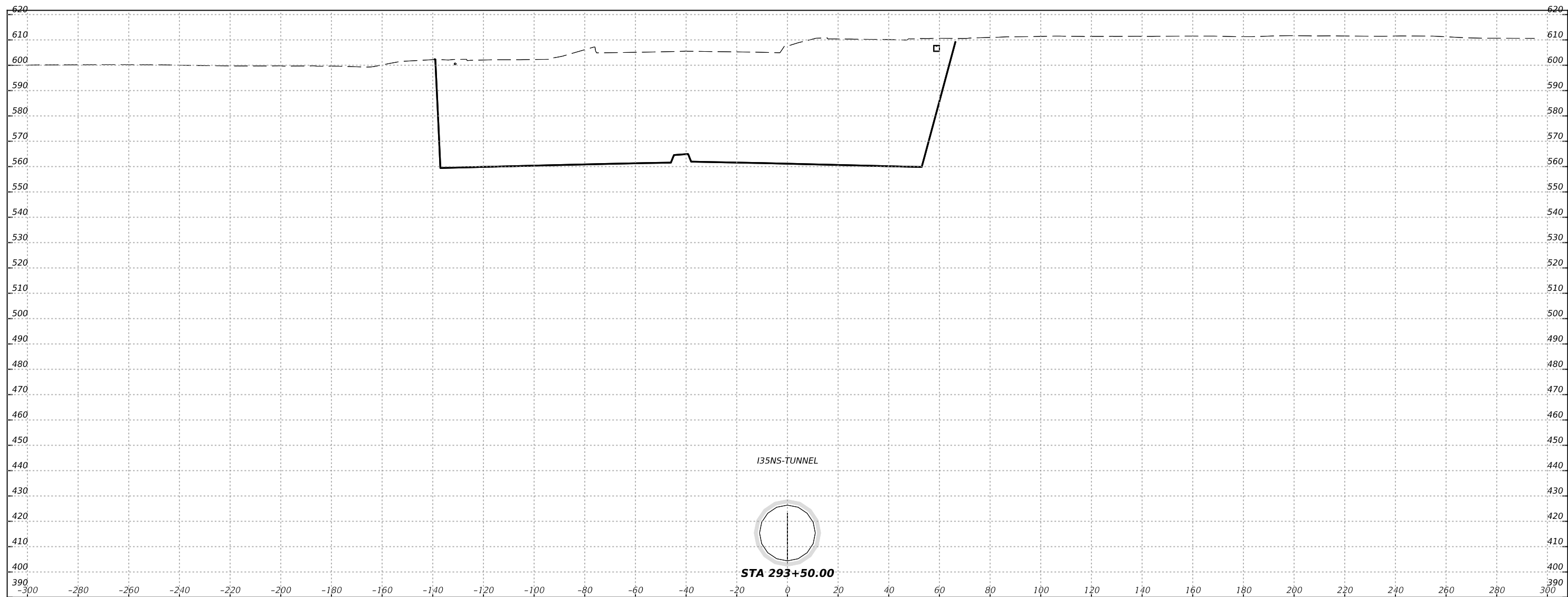
HDR Engineering, Inc.  
 Firm Registration No. F-754  
 710 Hester Crossing, Suite 150  
 Round Rock, Texas 78681



CAPITAL EXPRESS CENTRAL  
 I-35 TUNNEL  
 STA 293+00.00

SCALE: HORIZ: 1"=40'  
 VERT: 1"=40'

CONT	SECT	JOB	HIGHWAY
0015	13	433, ETC.	I-35
DIST	COUNTY	SHEET NO.	
AUS	TRAVIS	515	



NO.	DATE	REVISION	APPR BY



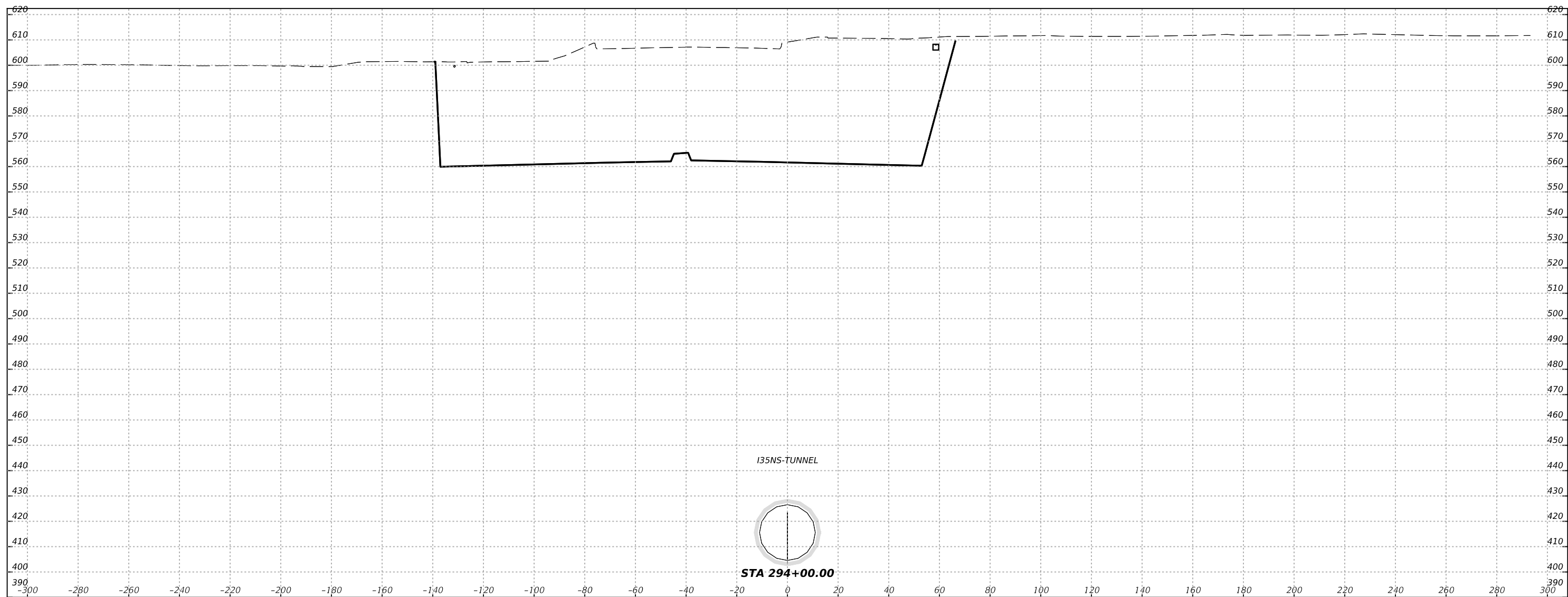
HDR Engineering, Inc.  
 Firm Registration No. F-754  
 710 Hester Crossing, Suite 150  
 Round Rock, Texas 78681



CAPITAL EXPRESS CENTRAL  
 C I-35 TUNNEL  
 STA 293+50.00

SCALE: HORIZ: 1"=40'  
 VERT: 1"=40'

CONT	SECT	JOB	HIGHWAY
0015	13	433, ETC.	I-35
DIST	COUNTY		SHEET NO.
AUS	TRAVIS		516



NO.	DATE	REVISION	APPR BY



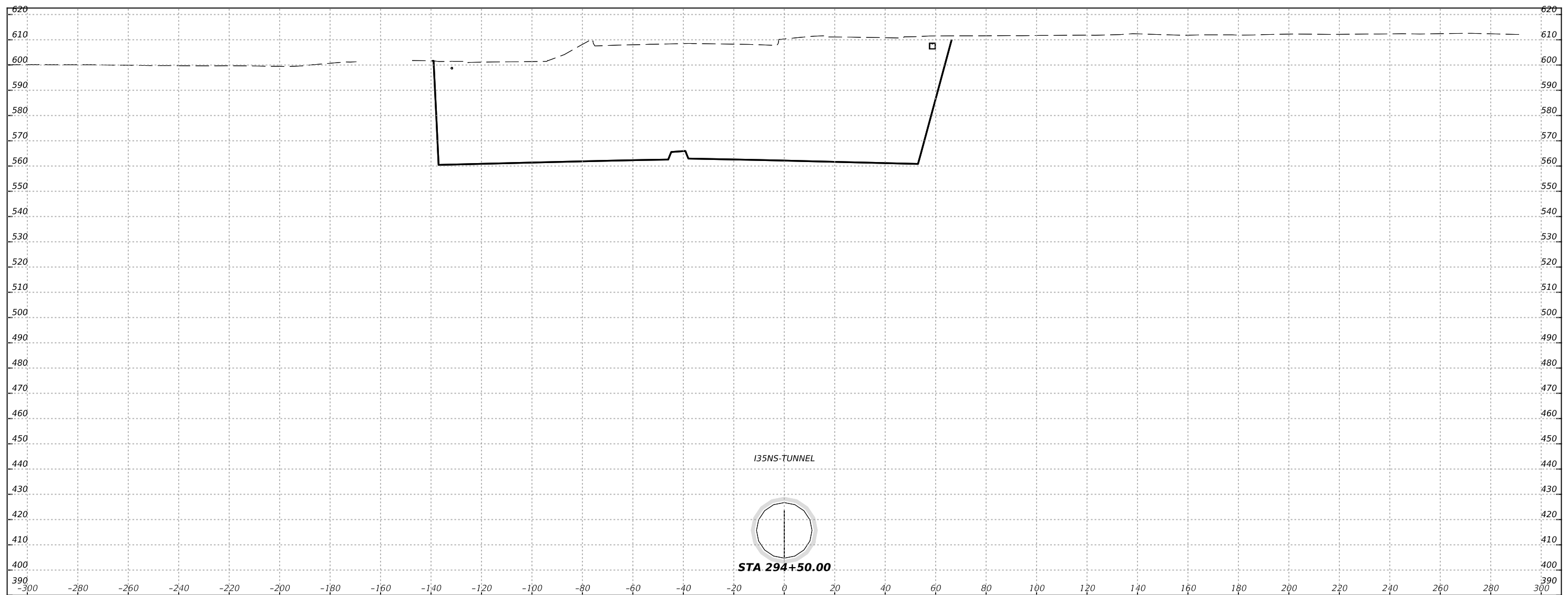
HDR Engineering, Inc.  
 Firm Registration No. F-754  
 710 Hester Crossing, Suite 150  
 Round Rock, Texas 78681



CAPITAL EXPRESS CENTRAL  
 I-35 TUNNEL  
 STA 294+00.00

SCALE: HORIZ: 1"=40'  
 VERT: 1"=40'

CONT	SECT	JOB	HIGHWAY
0015	13	433, ETC.	I-35
DIST	COUNTY	SHEET NO.	
AUS	TRAVIS	517	



NO.	DATE	REVISION	APPR BY



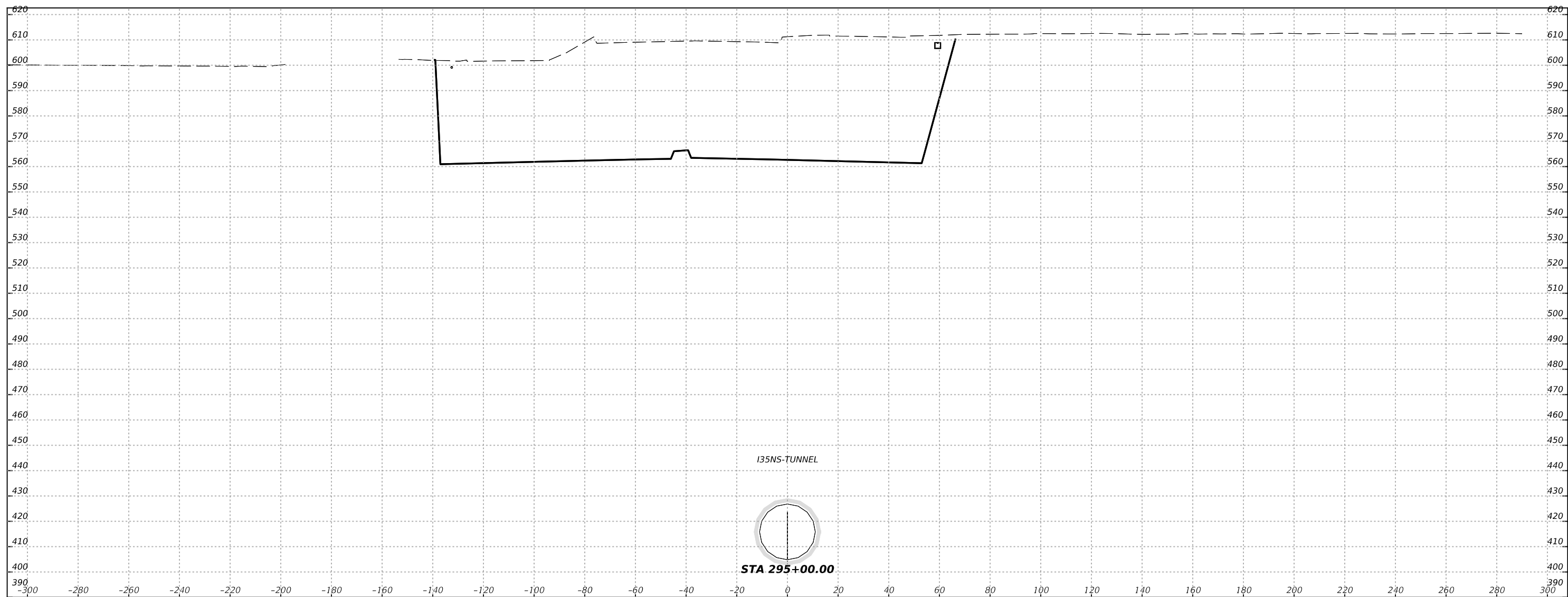
HDR Engineering, Inc.  
 Firm Registration No. F-754  
 710 Hester Crossing, Suite 150  
 Round Rock, Texas 78681



CAPITAL EXPRESS CENTRAL  
 I-35 TUNNEL  
 STA 294+50.00

SCALE: HORIZ: 1"=40'  
 VERT: 1"=40'

CONT	SECT	JOB	HIGHWAY
0015	13	433, ETC.	I-35
DIST			SHEET NO.
AUS	TRAVIS		518



NO.	DATE	REVISION	APPR BY



HDR Engineering, Inc.  
 Firm Registration No. F-754  
 710 Hester Crossing, Suite 150  
 Round Rock, Texas 78681

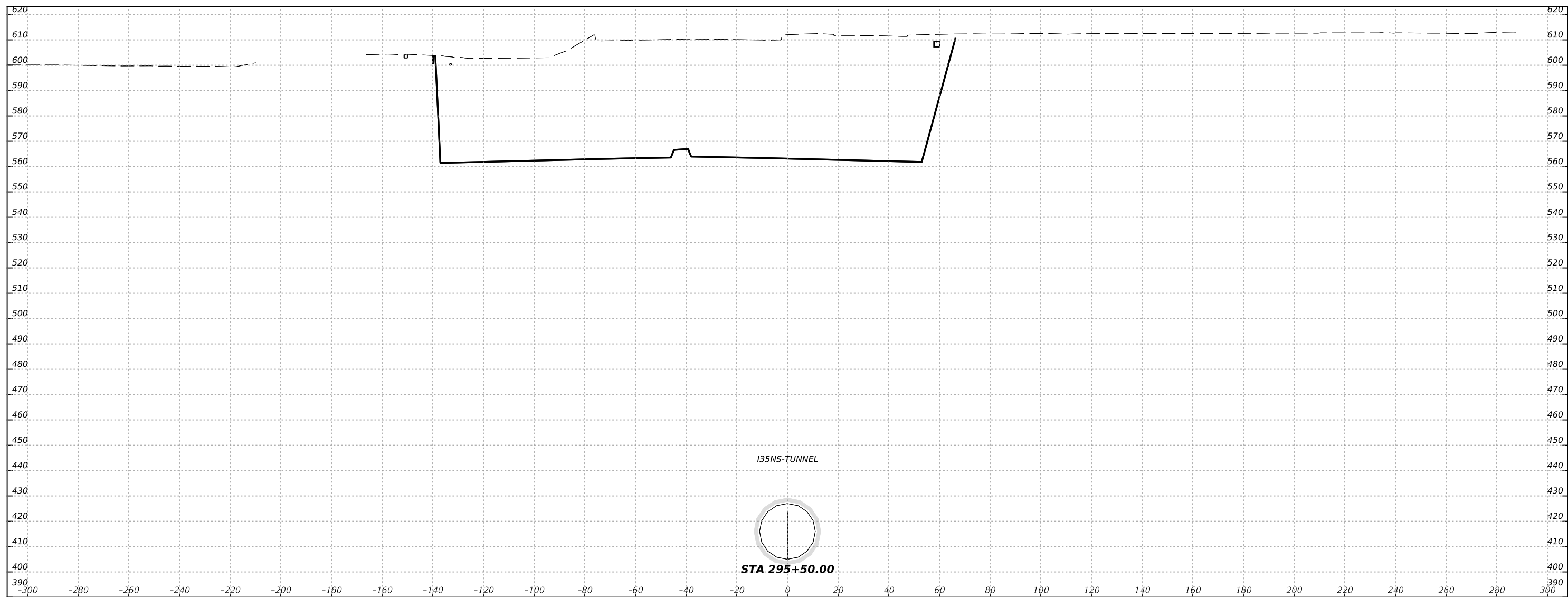


CAPITAL EXPRESS CENTRAL  
 I-35 TUNNEL  
 STA 295+00.00

SCALE: HORIZ: 1"=40'  
 VERT: 1"=40'

CONT	SECT	JOB	HIGHWAY
0015	13	433, ETC.	I-35
DIST	COUNTY	SHEET NO.	
AUS	TRAVIS	519	





NO.	DATE	REVISION	APPR BY



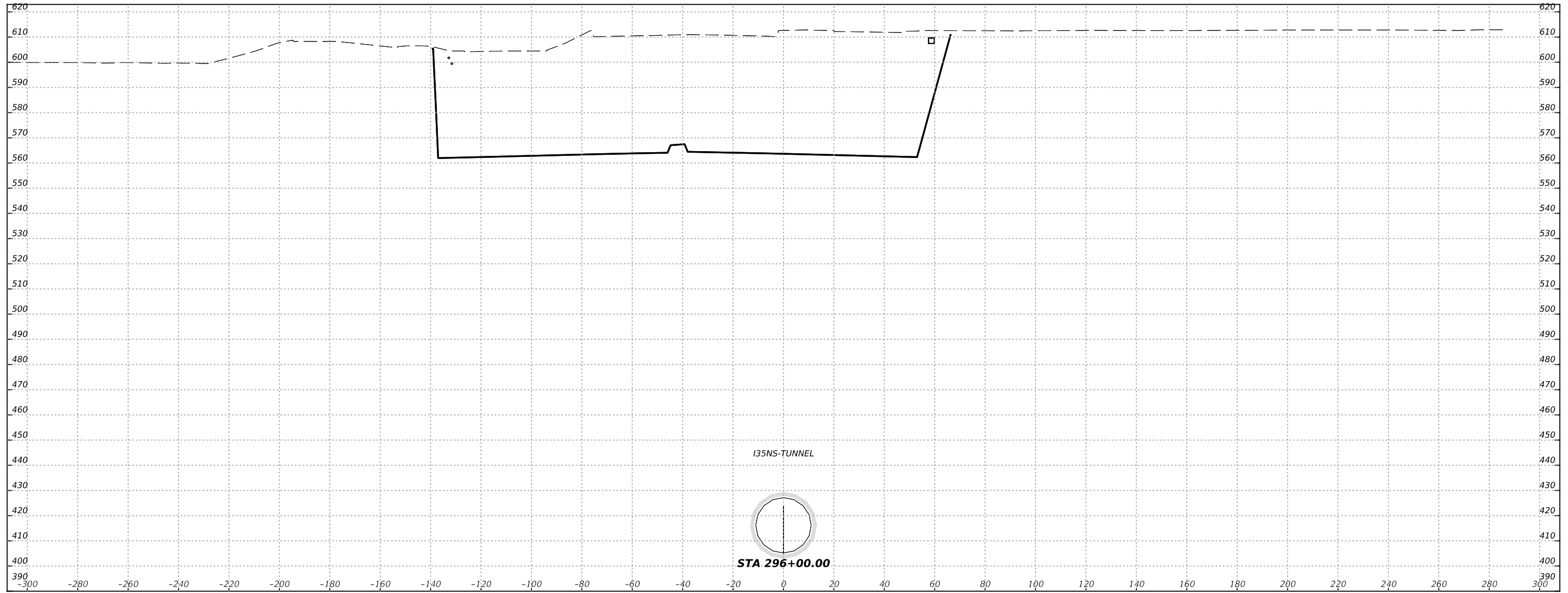
HDR Engineering, Inc.  
 Firm Registration No. F-754  
 710 Hester Crossing, Suite 150  
 Round Rock, Texas 78681



CAPITAL EXPRESS CENTRAL  
 I-35 TUNNEL  
 STA 295+50.00

SCALE: HORIZ: 1"=40'  
 VERT: 1"=40'

CONT	SECT	JOB	HIGHWAY
0015	13	433, ETC.	I-35
DIST	COUNTY	SHEET NO.	
AUS	TRAVIS	520	



NO.	DATE	REVISION	APPR BY



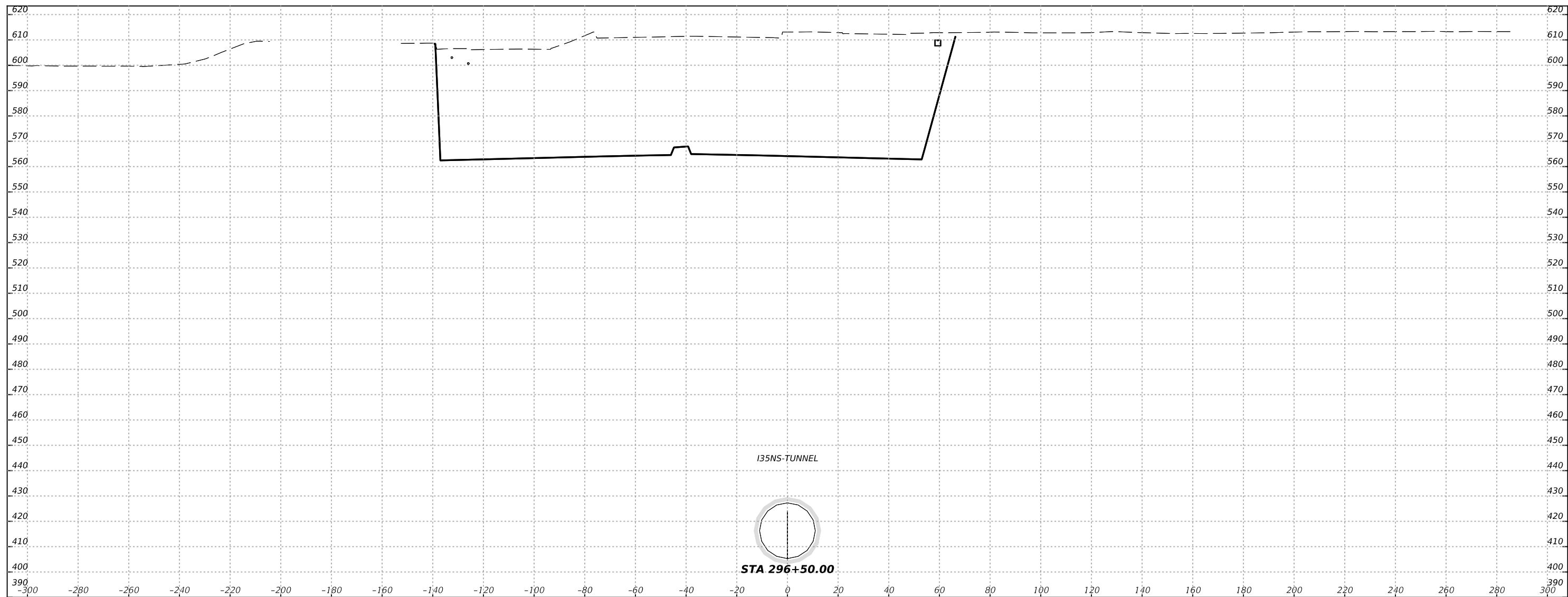
HDR Engineering, Inc.  
 Firm Registration No. F-754  
 710 Hester Crossing, Suite 150  
 Round Rock, Texas 78681



CAPITAL EXPRESS CENTRAL  
 I-35 TUNNEL  
 STA 296+00.00

SCALE: HORIZ: 1"=40'  
 VERT: 1"=40'

CONT	SECT	JOB	HIGHWAY
0015	13	433, ETC.	I-35
DIST	COUNTY		SHEET NO.
AUS	TRAVIS		521



NO.	DATE	REVISION	APPR BY



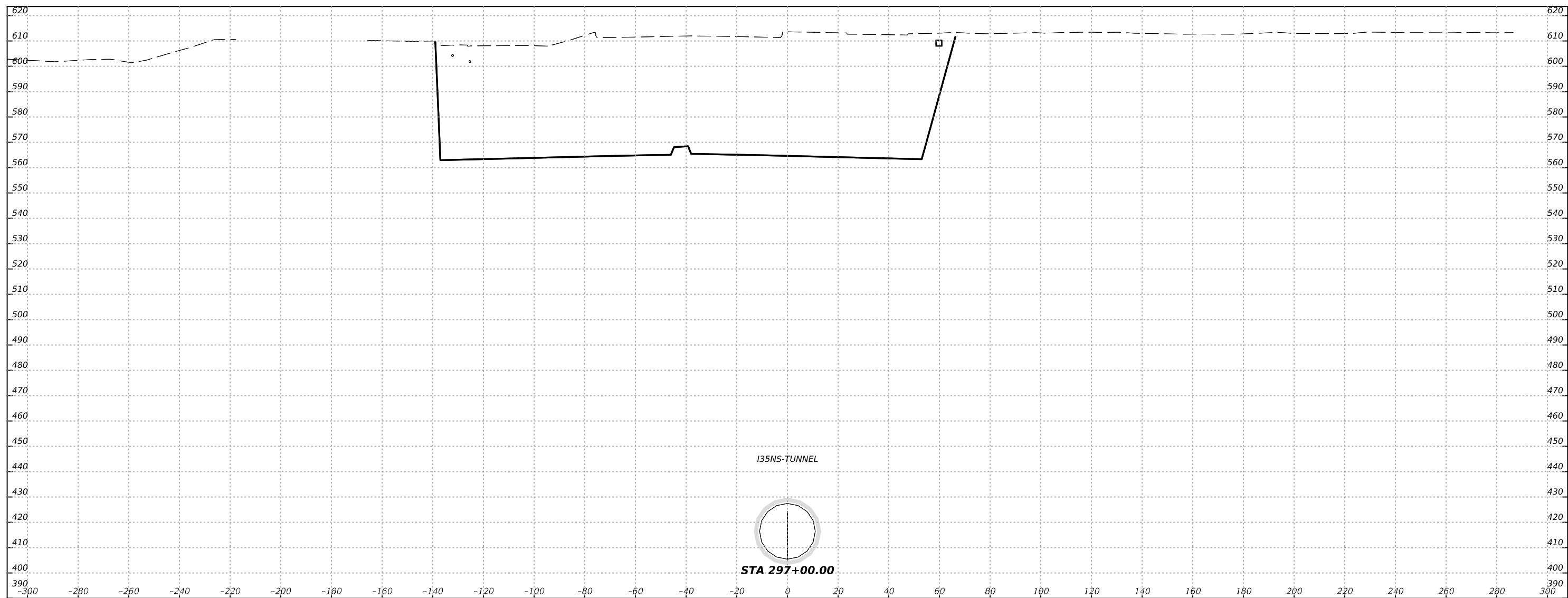
HDR Engineering, Inc.  
 Firm Registration No. F-754  
 710 Hester Crossing, Suite 150  
 Round Rock, Texas 78681



CAPITAL EXPRESS CENTRAL  
 I-35 TUNNEL  
 STA 296+50.00

SCALE: HORIZ: 1"=40'  
 VERT: 1"=40'

CONT	SECT	JOB	HIGHWAY
0015	13	433, ETC.	I-35
DIST	COUNTY		SHEET NO.
AUS	TRAVIS		522



NO.	DATE	REVISION	APPR BY



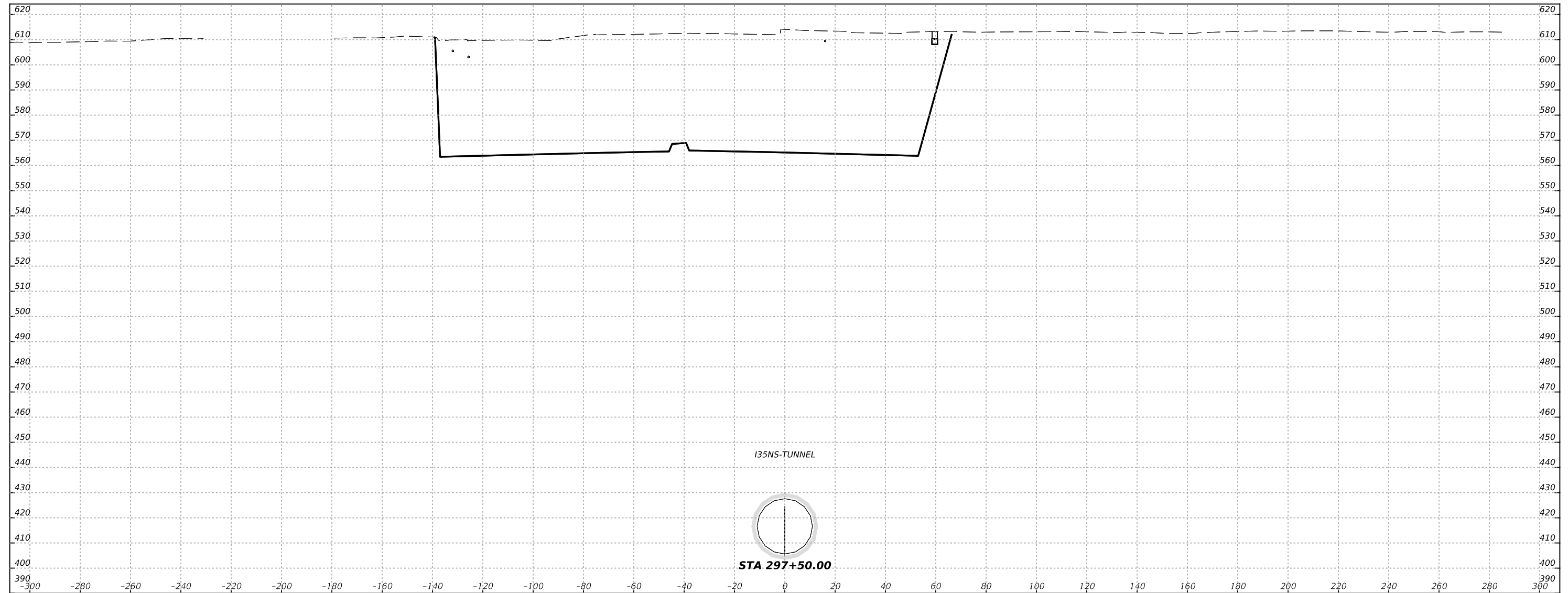
HDR Engineering, Inc.  
 Firm Registration No. F-754  
 710 Hester Crossing, Suite 150  
 Round Rock, Texas 78681



CAPITAL EXPRESS CENTRAL  
 I-35 TUNNEL  
 STA 297+00.00

SCALE: HORIZ: 1"=40'  
 VERT: 1"=40'

CONT	SECT	JOB	HIGHWAY
0015	13	433, ETC.	I-35
DIST	COUNTY	SHEET NO.	
AUS	TRAVIS	523	



NO.	DATE	REVISION	APPR BY



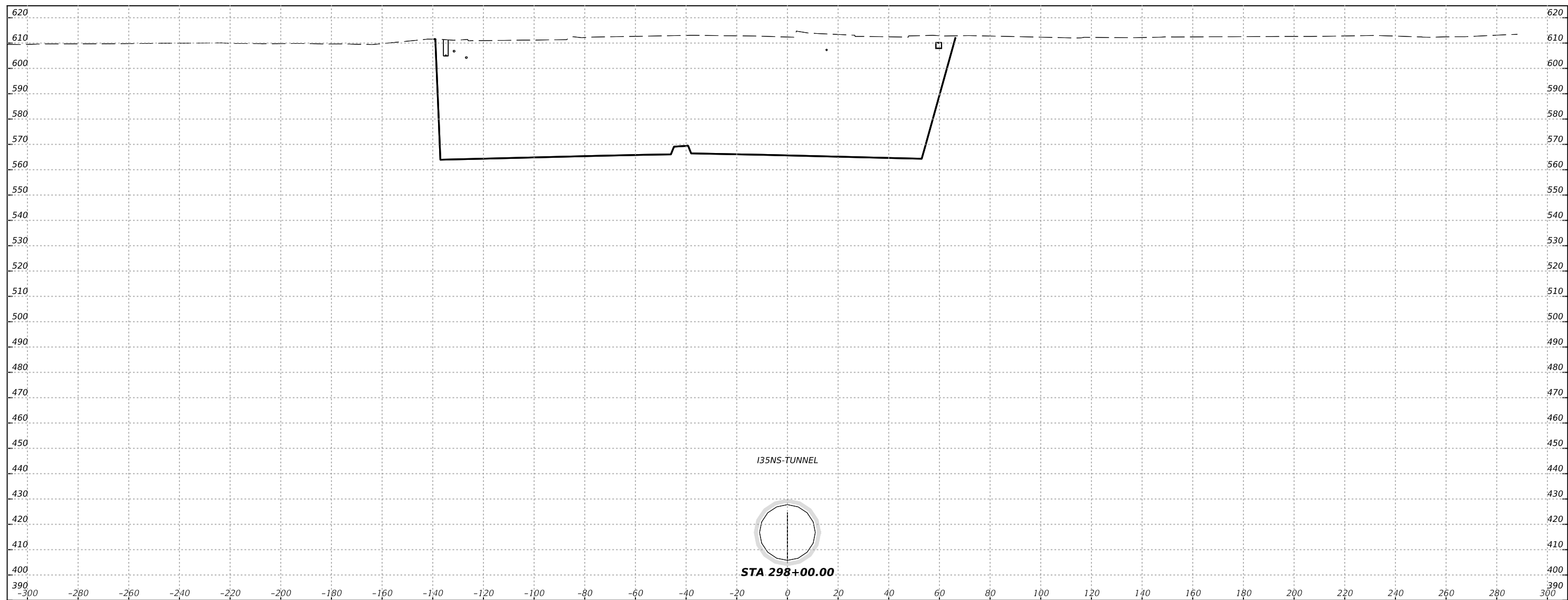
HDR Engineering, Inc.  
 Firm Registration No. F-754  
 710 Hester Crossing, Suite 150  
 Round Rock, Texas 78681



CAPITAL EXPRESS CENTRAL  
 I-35 TUNNEL  
 STA 297+50.00

SCALE: HORIZ: 1"=40'  
 VERT: 1"=40'

CONT	SECT	JOB	HIGHWAY
0015	13	433, ETC.	I-35
DIST	COUNTY		SHEET NO.
AUS	TRAVIS		524



NO.	DATE	REVISION	APPR BY



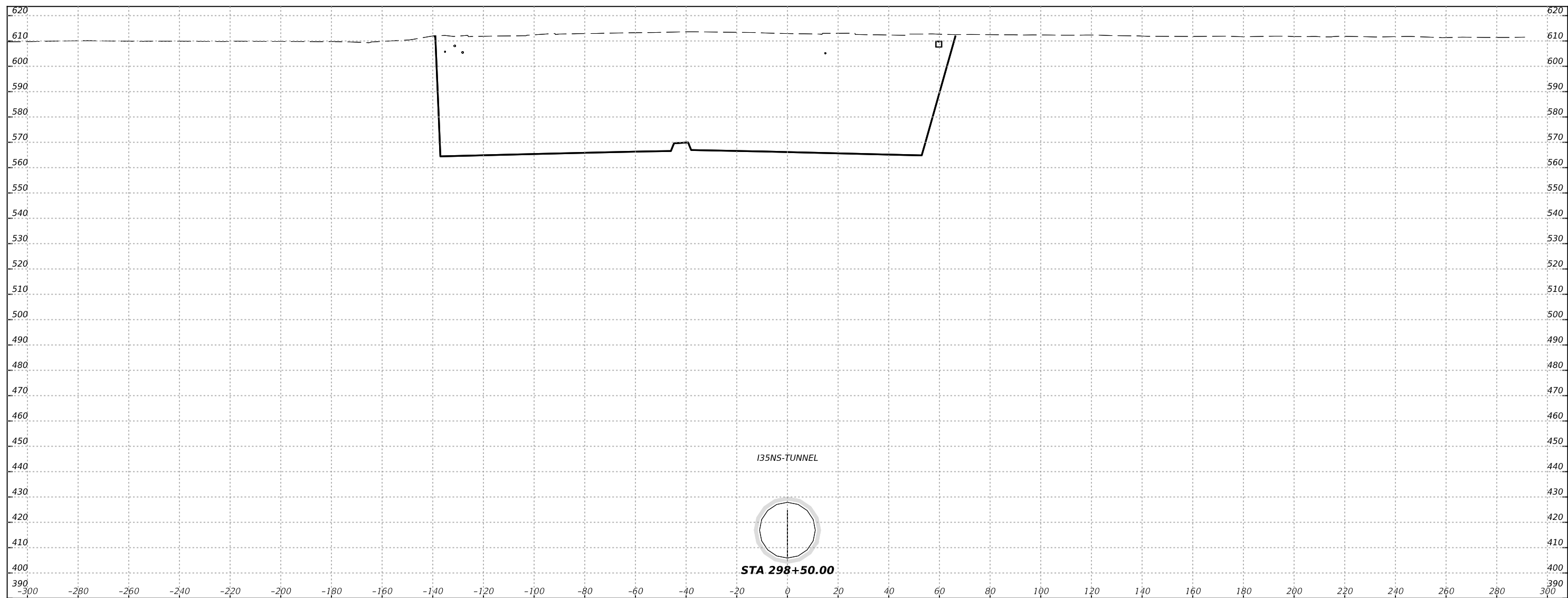
HDR Engineering, Inc.  
 Firm Registration No. F-754  
 710 Hester Crossing, Suite 150  
 Round Rock, Texas 78681



CAPITAL EXPRESS CENTRAL  
 I-35 TUNNEL  
 STA 298+00.00

SCALE: HORIZ: 1"=40'  
 VERT: 1"=40'

CONT	SECT	JOB	HIGHWAY
0015	13	433, ETC.	I-35
DIST	COUNTY		SHEET NO.
AUS	TRAVIS		525



NO.	DATE	REVISION	APPR BY



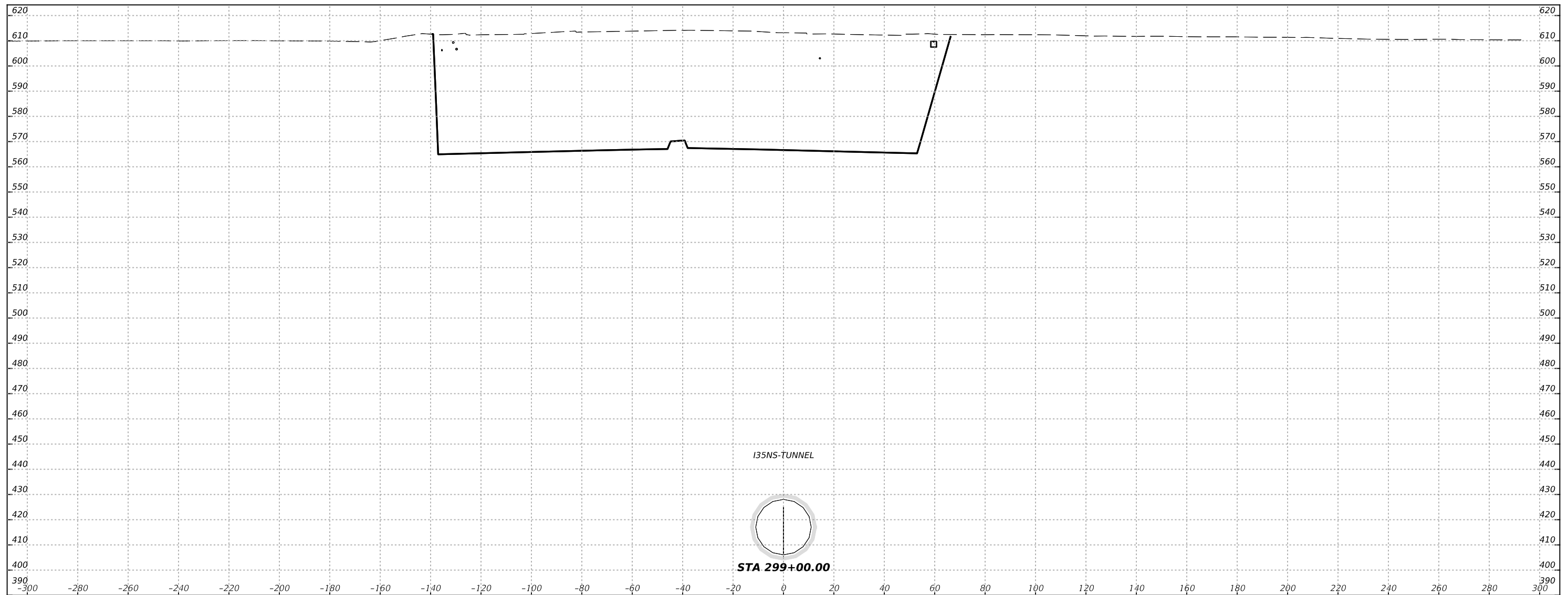
HDR Engineering, Inc.  
 Firm Registration No. F-754  
 710 Hester Crossing, Suite 150  
 Round Rock, Texas 78681



CAPITAL EXPRESS CENTRAL  
 I-35 TUNNEL  
 STA 298+50.00

SCALE: HORIZ: 1"=40'  
 VERT: 1"=40'

CONT	SECT	JOB	HIGHWAY
0015	13	433, ETC.	I-35
DIST	COUNTY	SHEET NO.	
AUS	TRAVIS	526	



NO.	DATE	REVISION	APPR BY



HDR Engineering, Inc.  
 Firm Registration No. F-754  
 710 Hester Crossing, Suite 150  
 Round Rock, Texas 78681

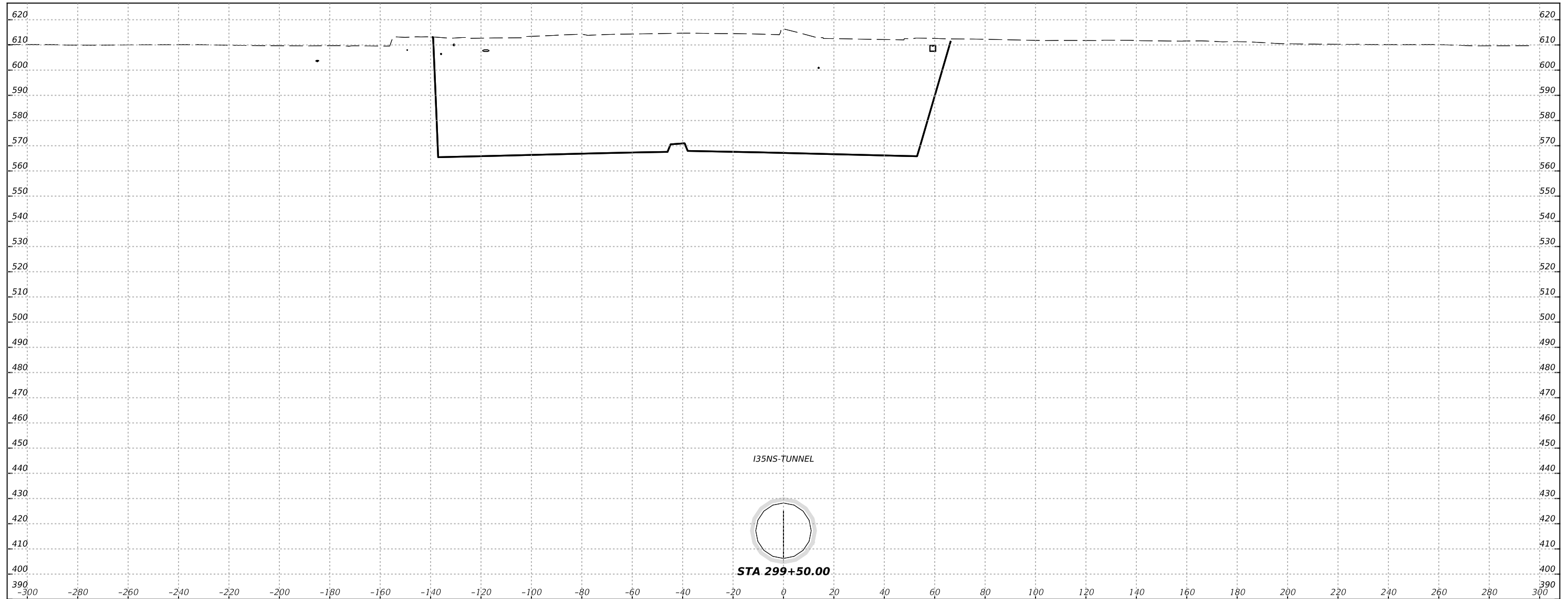


CAPITAL EXPRESS CENTRAL  
 I-35 TUNNEL  
 STA 299+00.00

SCALE: HORIZ: 1"=40'  
 VERT: 1"=40'

CONT	SECT	JOB	HIGHWAY
0015	13	433, ETC.	I-35
DIST COUNTY			SHEET NO.
AUS	TRAVIS		527





NO.	DATE	REVISION	APPR BY



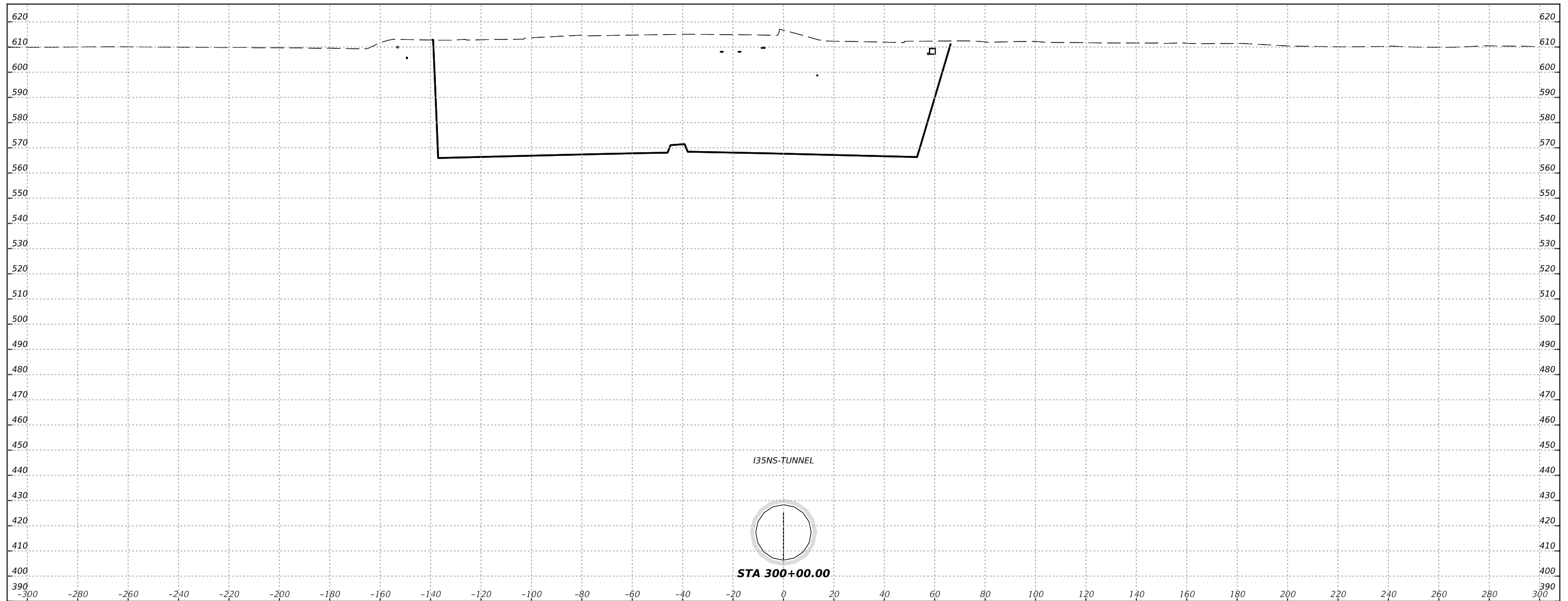
HDR Engineering, Inc.  
 Firm Registration No. F-754  
 710 Hester Crossing, Suite 150  
 Round Rock, Texas 78681



CAPITAL EXPRESS CENTRAL  
 I-35 TUNNEL  
 STA 299+50.00

SCALE: HORIZ: 1"=40'  
 VERT: 1"=40'

CONT	SECT	JOB	HIGHWAY
0015	13	433, ETC.	I-35
DIST	COUNTY		SHEET NO.
AUS	TRAVIS		528



NO.	DATE	REVISION	APPR BY



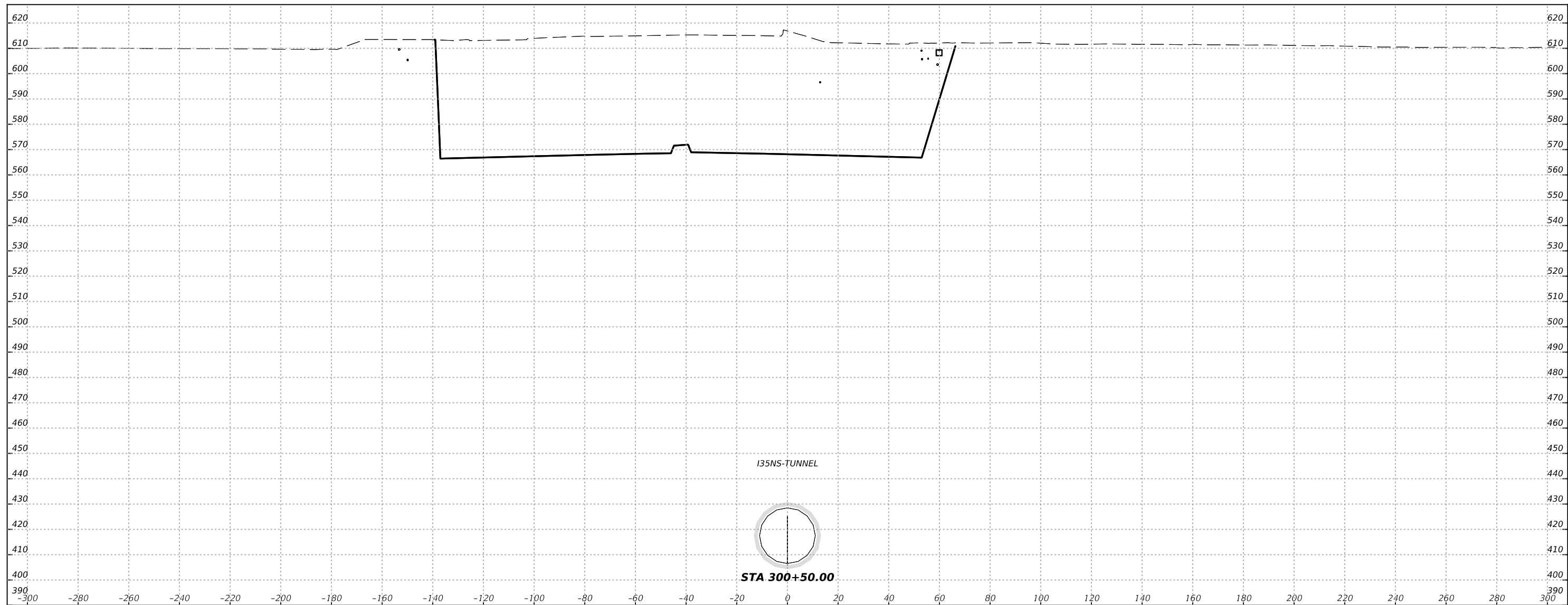
HDR Engineering, Inc.  
 Firm Registration No. F-754  
 710 Hester Crossing, Suite 150  
 Round Rock, Texas 78681



CAPITAL EXPRESS CENTRAL  
 I-35 TUNNEL  
 STA 300+00.00

SCALE: HORIZ: 1"=40'  
 VERT: 1"=40'

CONT	SECT	JOB	HIGHWAY
0015	13	433, ETC.	I-35
DIST	COUNTY		SHEET NO.
AUS	TRAVIS		529



NO.	DATE	REVISION	APPR BY



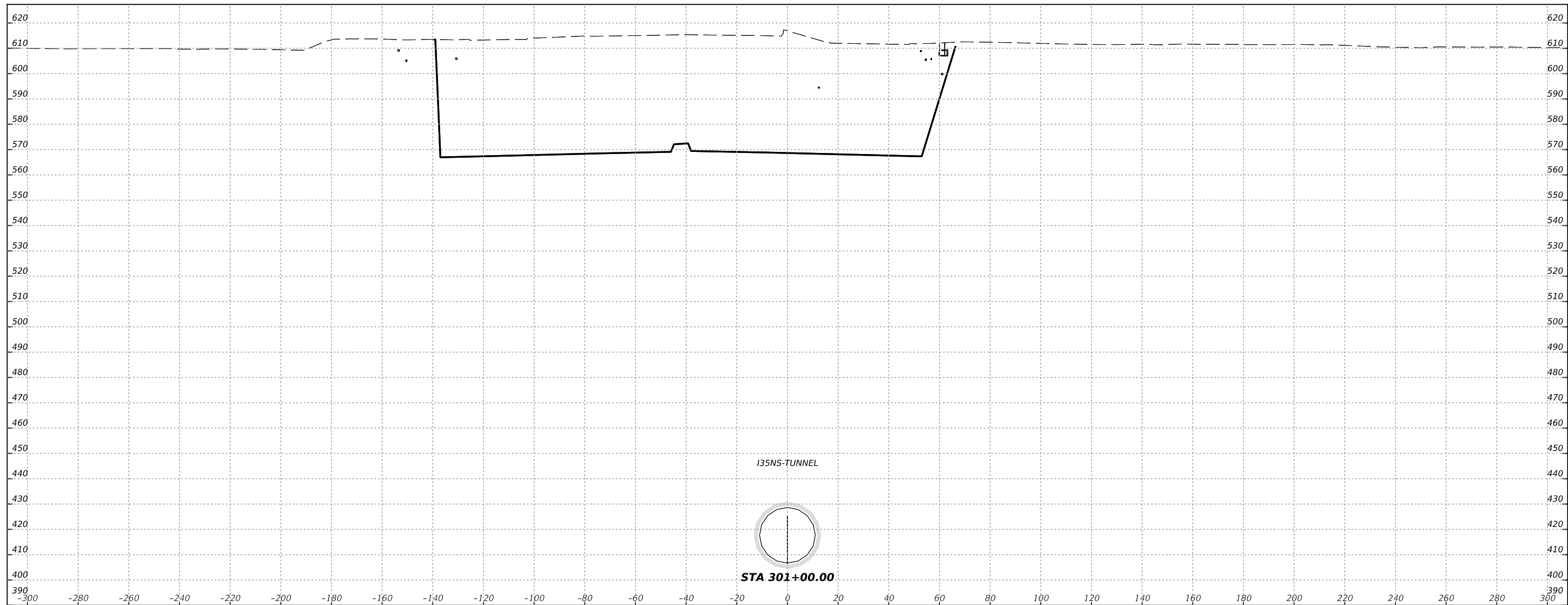
HDR Engineering, Inc.  
 Firm Registration No. F-754  
 710 Hester Crossing, Suite 150  
 Round Rock, Texas 78681



CAPITAL EXPRESS CENTRAL  
 I-35 TUNNEL  
 STA 300+50.00

SCALE: HORIZ: 1"=40'  
 VERT: 1"=40'

CONT	SECT	JOB	HIGHWAY
0015	13	433, ETC.	I-35
DIST	COUNTY		SHEET NO.
AUS	TRAVIS		530



NO.	DATE	REVISION	APPR BY



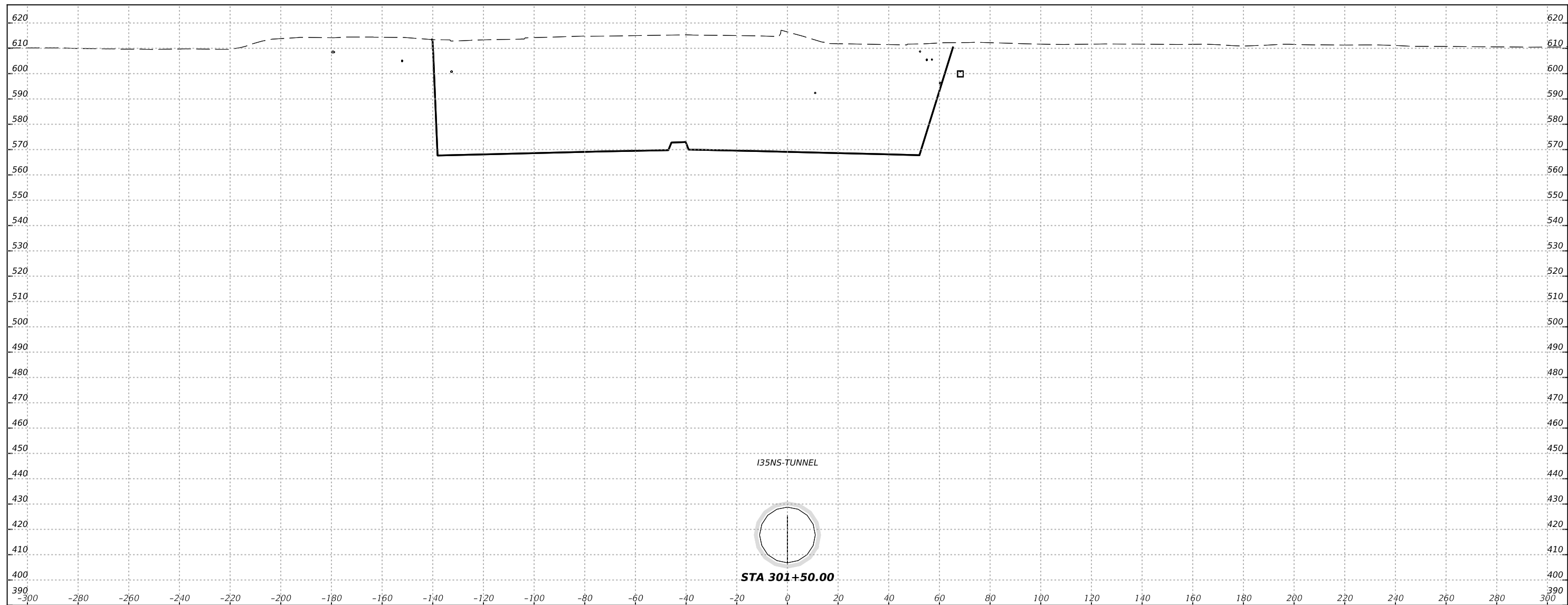
HDR Engineering, Inc.  
 Firm Registration No. F-754  
 710 Hester Crossing, Suite 150  
 Round Rock, Texas 78681



CAPITAL EXPRESS CENTRAL  
 I-35 TUNNEL  
 STA 301+00.00

SCALE: HORIZ: 1"=40'  
 VERT: 1"=40'

CONT	SECT	JOB	HIGHWAY
0015	13	433, ETC.	I-35
DIST	COUNTY		SHEET NO.
AUS	TRAVIS		531



NO.	DATE	REVISION	APPR BY



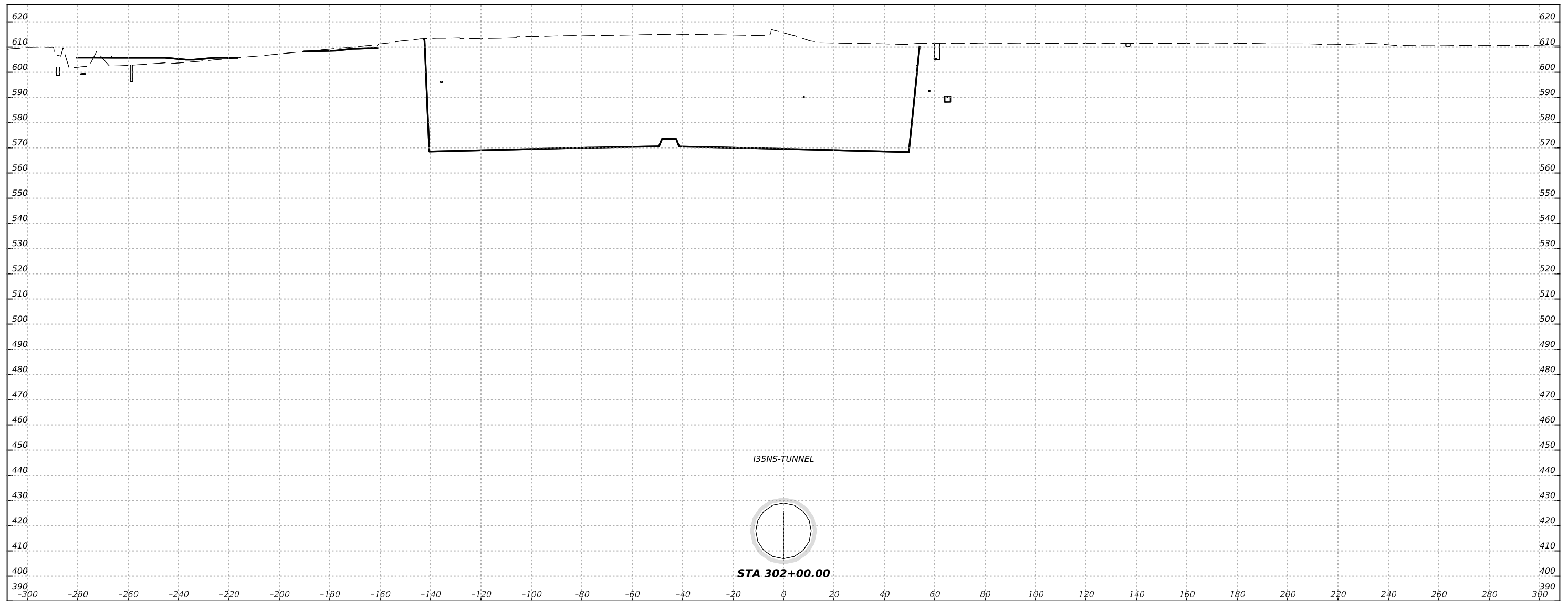
HDR Engineering, Inc.  
 Firm Registration No. F-754  
 710 Hester Crossing, Suite 150  
 Round Rock, Texas 78681



CAPITAL EXPRESS CENTRAL  
 I-35 TUNNEL  
 STA 301+50.00

SCALE: HORIZ: 1"=40'  
 VERT: 1"=40'

CONT	SECT	JOB	HIGHWAY
0015	13	433, ETC.	I-35
DIST	COUNTY		SHEET NO.
AUS	TRAVIS		532



NO.	DATE	REVISION	APPR BY



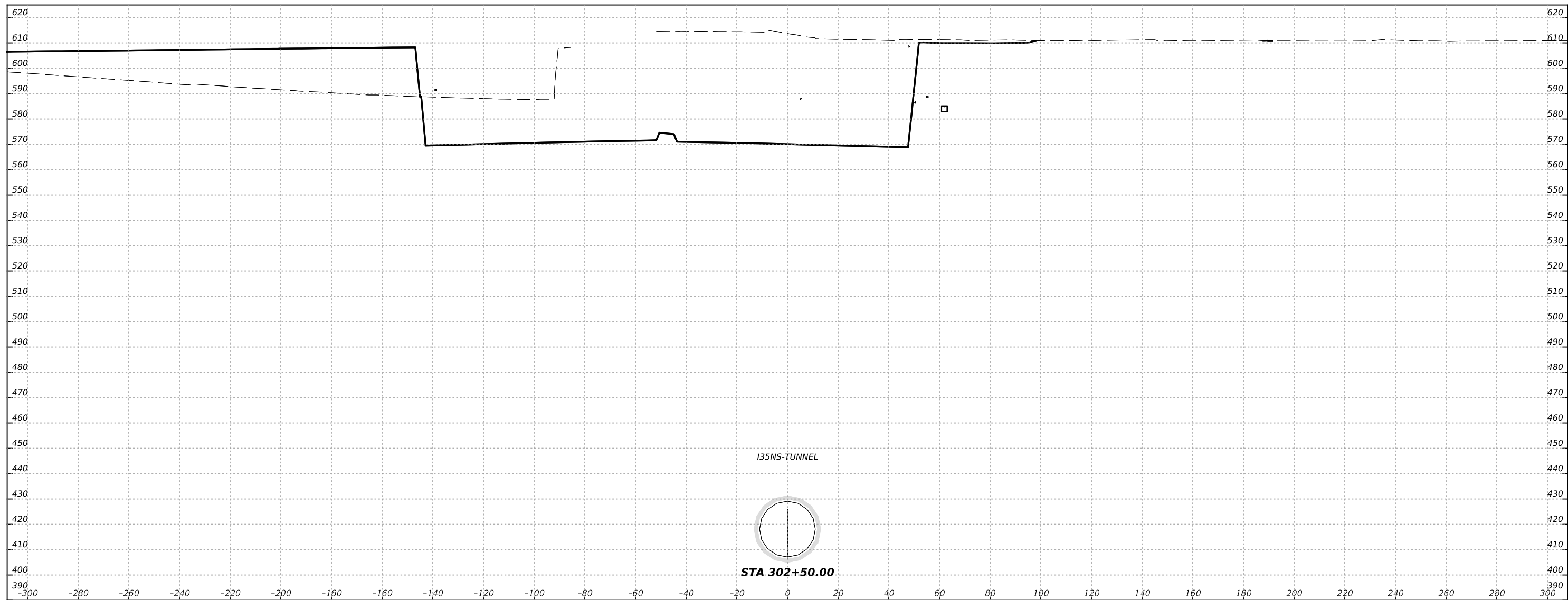
HDR Engineering, Inc.  
 Firm Registration No. F-754  
 710 Hester Crossing, Suite 150  
 Round Rock, Texas 78681



CAPITAL EXPRESS CENTRAL  
 I-35 TUNNEL  
 STA 302+00.00

SCALE: HORIZ: 1"=40'  
 VERT: 1"=40'

CONT	SECT	JOB	HIGHWAY
0015	13	433, ETC.	I-35
DIST	COUNTY		SHEET NO.
AUS	TRAVIS		533



NO.	DATE	REVISION	APPR BY



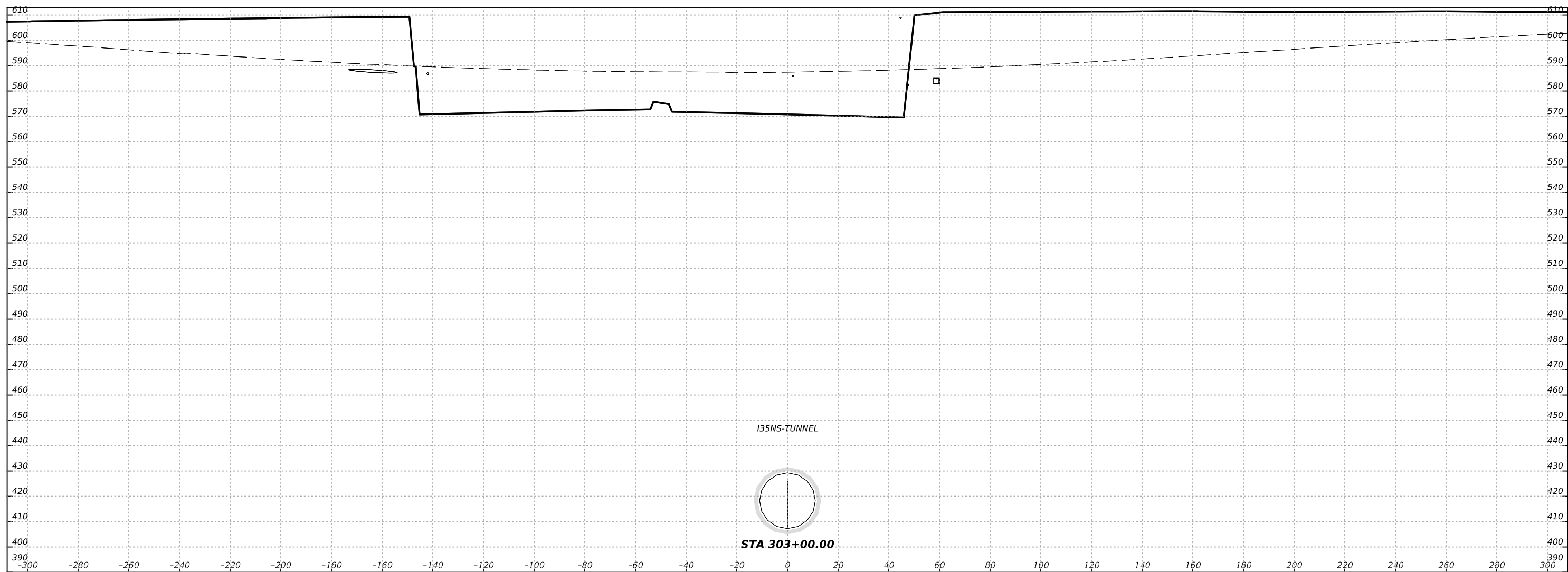
HDR Engineering, Inc.  
 Firm Registration No. F-754  
 710 Hester Crossing, Suite 150  
 Round Rock, Texas 78681



CAPITAL EXPRESS CENTRAL  
 I-35 TUNNEL  
 STA 302+50.00

SCALE: HORIZ: 1"=40'  
 VERT: 1"=40'

CONT	SECT	JOB	HIGHWAY
0015	13	433, ETC.	I-35
DIST	COUNTY		SHEET NO.
AUS	TRAVIS		534



NO.	DATE	REVISION	APPR BY



HDR Engineering, Inc.  
 Firm Registration No. F-754  
 710 Hester Crossing, Suite 150  
 Round Rock, Texas 78681

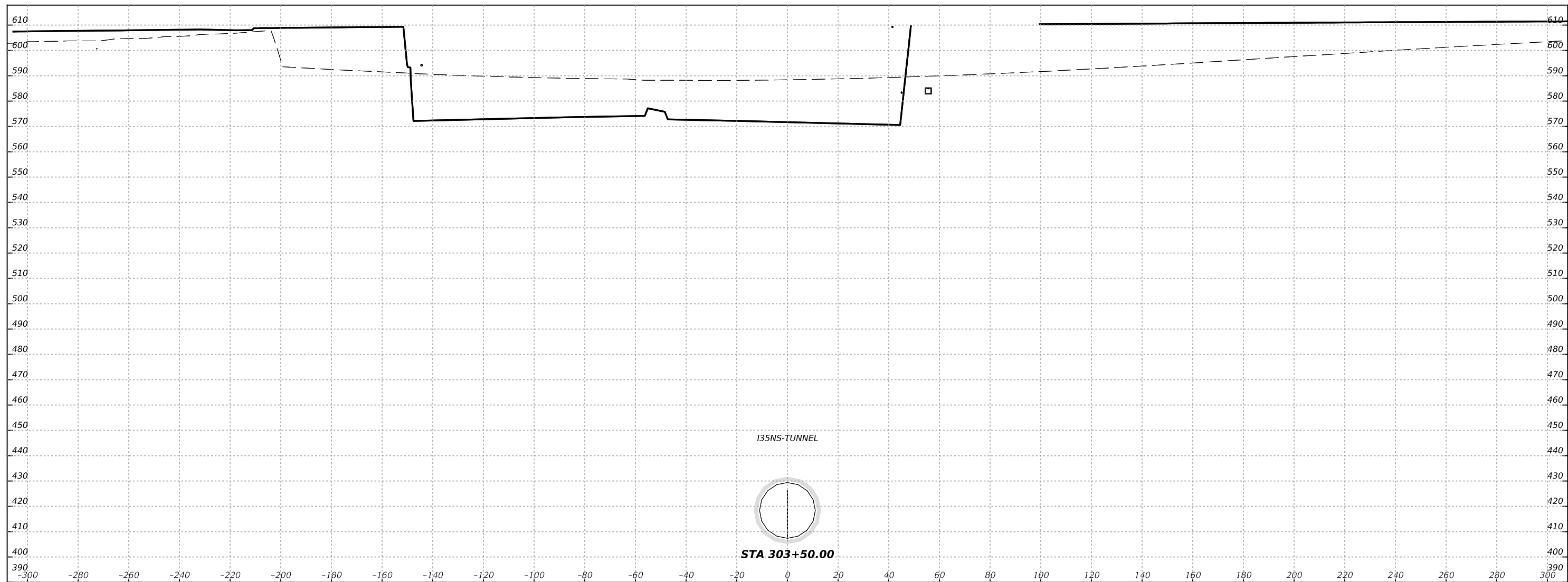


CAPITAL EXPRESS CENTRAL  
 I-35 TUNNEL  
 STA 303+00.00

SCALE: HORIZ: 1"=40'  
 VERT: 1"=40'

CONT	SECT	JOB	HIGHWAY
0015	13	433, ETC.	I-35
DIST	COUNTY		SHEET NO.
AUS	TRAVIS		535





NO.	DATE	REVISION	APPR BY



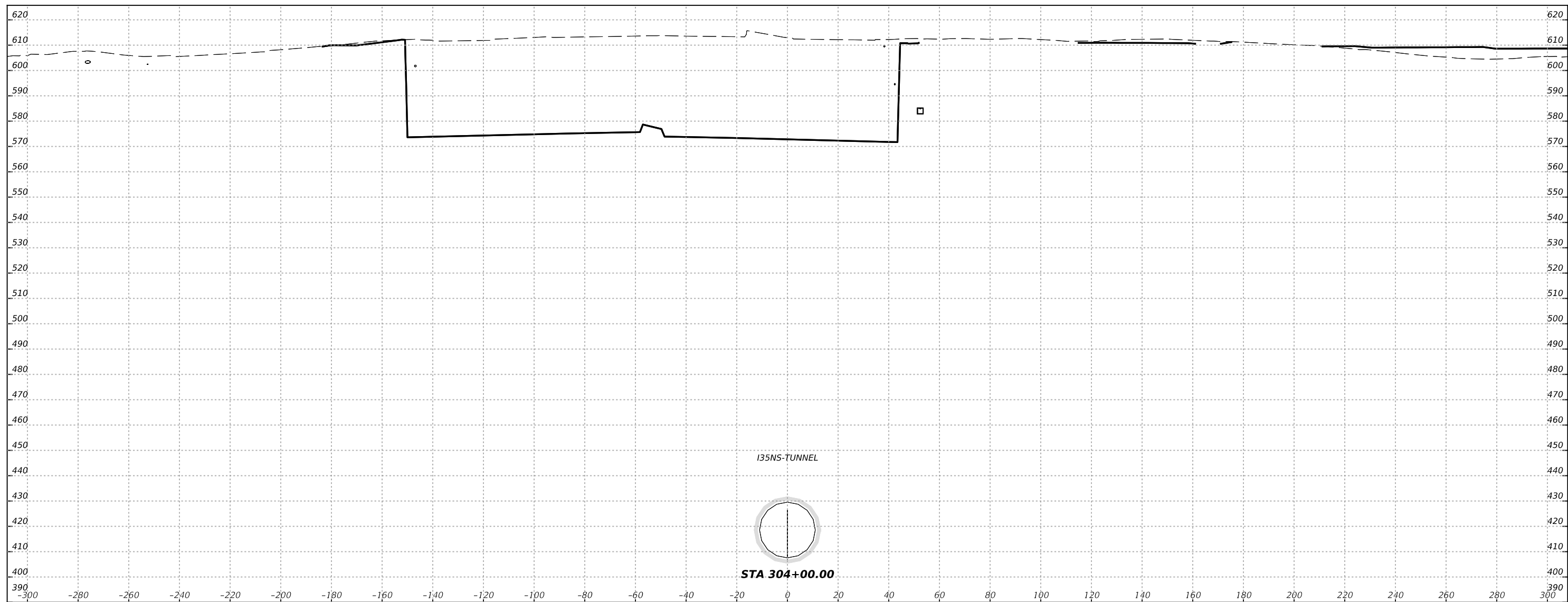
HDR Engineering, Inc.  
 Firm Registration No. F-754  
 710 Hester Crossing, Suite 150  
 Round Rock, Texas 78681



CAPITAL EXPRESS CENTRAL  
 I-35 TUNNEL  
 STA 303+50.00

SCALE: HORIZ: 1"=40'  
 VERT: 1"=40'

CONT	SECT	JOB	HIGHWAY
0015	13	433, ETC.	I-35
DIST	COUNTY		SHEET NO.
AUS	TRAVIS		536



NO.	DATE	REVISION	APPR BY



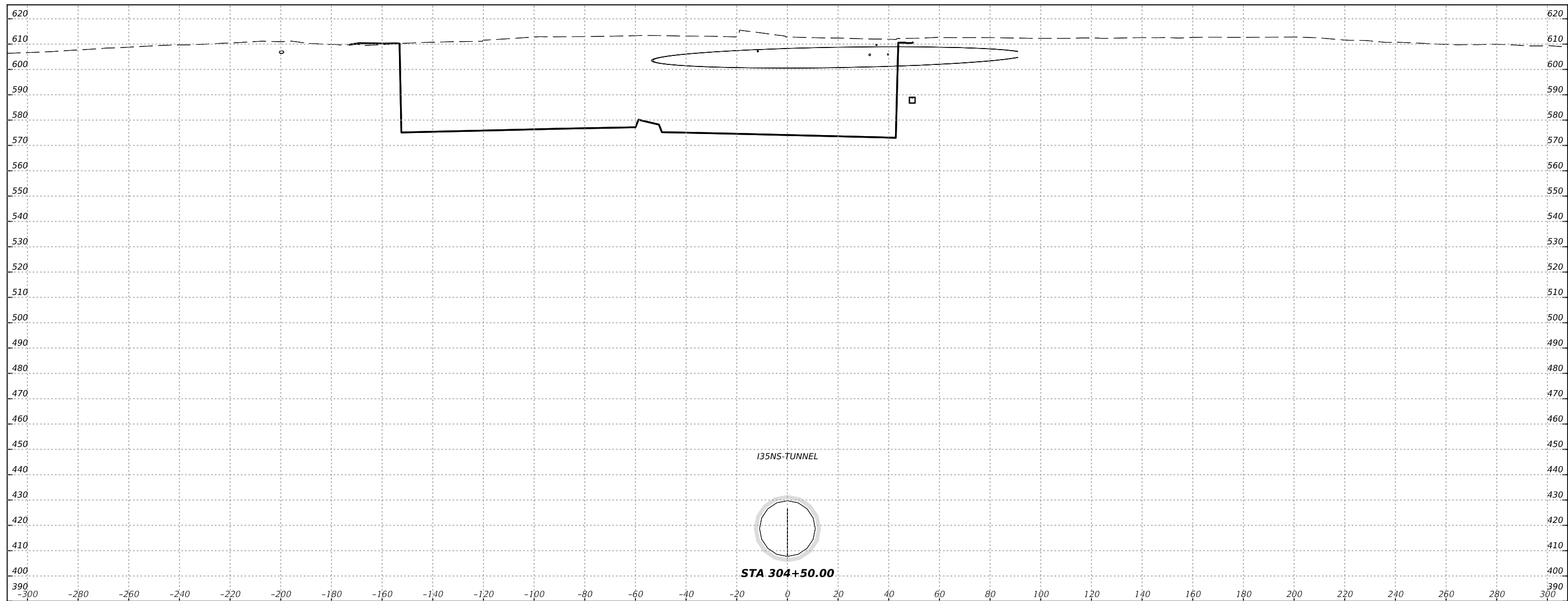
HDR Engineering, Inc.  
 Firm Registration No. F-754  
 710 Hester Crossing, Suite 150  
 Round Rock, Texas 78681



CAPITAL EXPRESS CENTRAL  
 I-35 TUNNEL  
 STA 304+00.00

SCALE: HORIZ: 1"=40'  
 VERT: 1"=40'

CONT	SECT	JOB	HIGHWAY
0015	13	433, ETC.	I-35
DIST	COUNTY		SHEET NO.
AUS	TRAVIS		537



NO.	DATE	REVISION	APPR BY



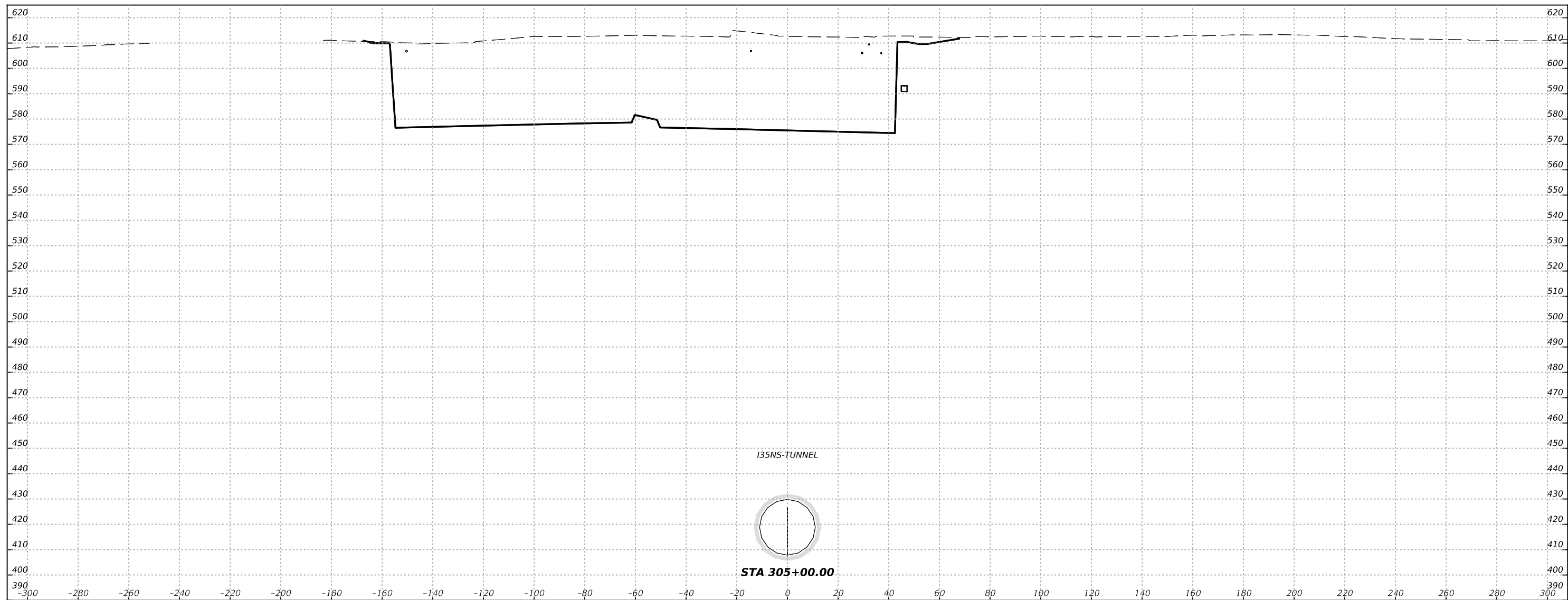
HDR Engineering, Inc.  
 Firm Registration No. F-754  
 710 Hester Crossing, Suite 150  
 Round Rock, Texas 78681



CAPITAL EXPRESS CENTRAL  
 I-35 TUNNEL  
 STA 304+50.00

SCALE: HORIZ: 1"=40'  
 VERT: 1"=40'

CONT	SECT	JOB	HIGHWAY
0015	13	433, ETC.	I-35
DIST	COUNTY		SHEET NO.
AUS	TRAVIS		538



NO.	DATE	REVISION	APPR BY



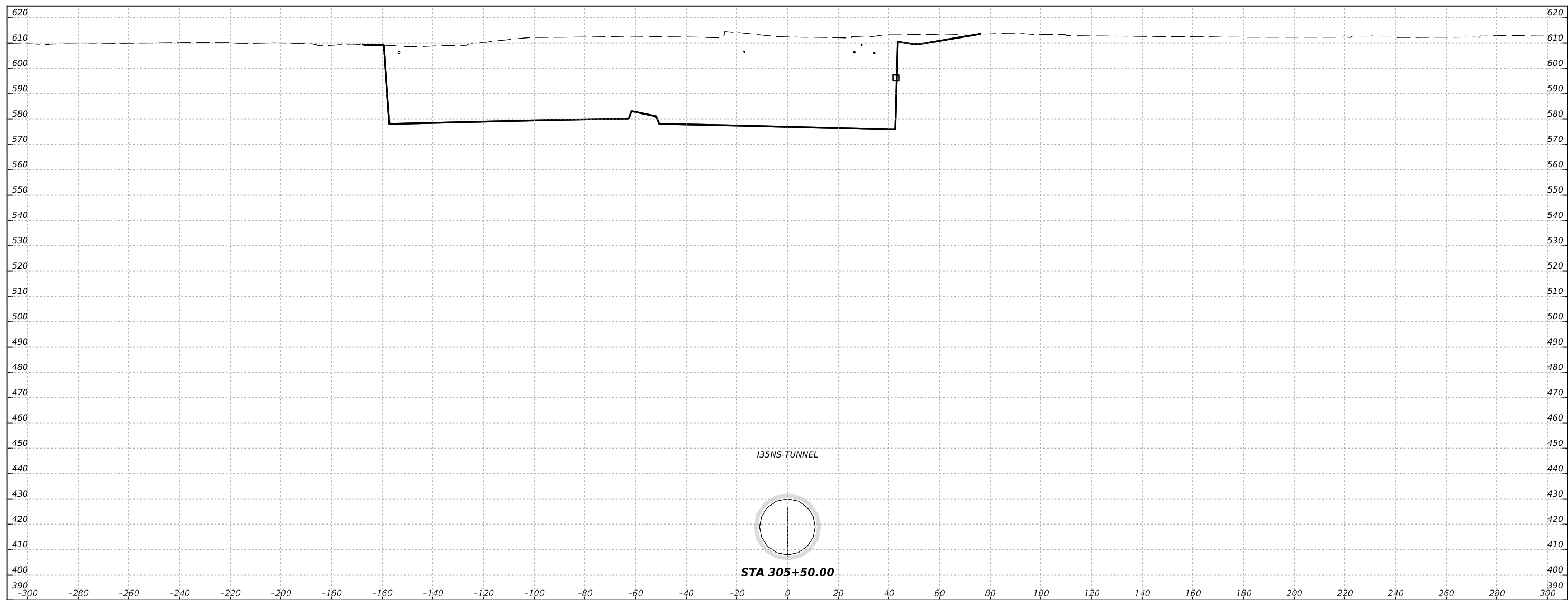
HDR Engineering, Inc.  
 Firm Registration No. F-754  
 710 Hester Crossing, Suite 150  
 Round Rock, Texas 78681



CAPITAL EXPRESS CENTRAL  
 I-35 TUNNEL  
 STA 305+00.00

SCALE: HORIZ: 1"=40'  
 VERT: 1"=40'

CONT	SECT	JOB	HIGHWAY
0015	13	433, ETC.	I-35
DIST	COUNTY		SHEET NO.
AUS	TRAVIS		539



NO.	DATE	REVISION	APPR BY



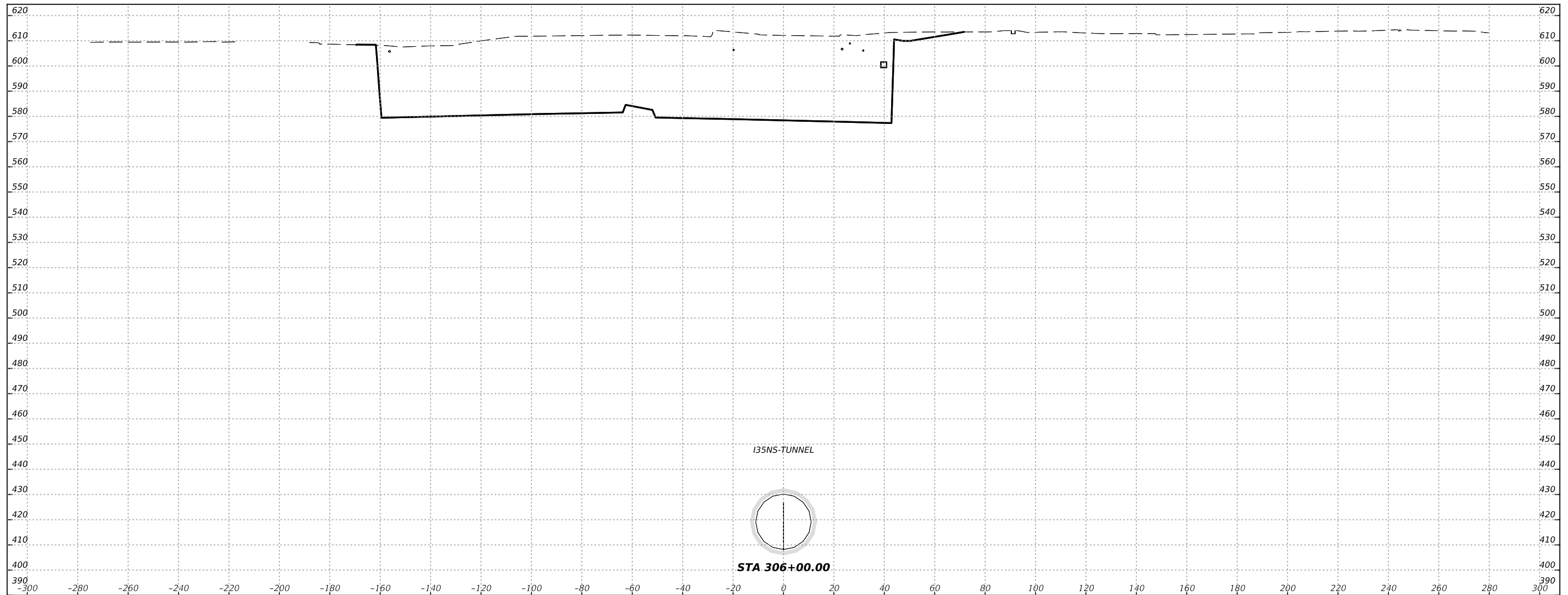
HDR Engineering, Inc.  
 Firm Registration No. F-754  
 710 Hester Crossing, Suite 150  
 Round Rock, Texas 78681



CAPITAL EXPRESS CENTRAL  
 I-35 TUNNEL  
 STA 305+50.00

SCALE: HORIZ: 1"=40'  
 VERT: 1"=40'

CONT	SECT	JOB	HIGHWAY
0015	13	433, ETC.	I-35
DIST	COUNTY		SHEET NO.
AUS	TRAVIS		540



NO.	DATE	REVISION	APPR BY



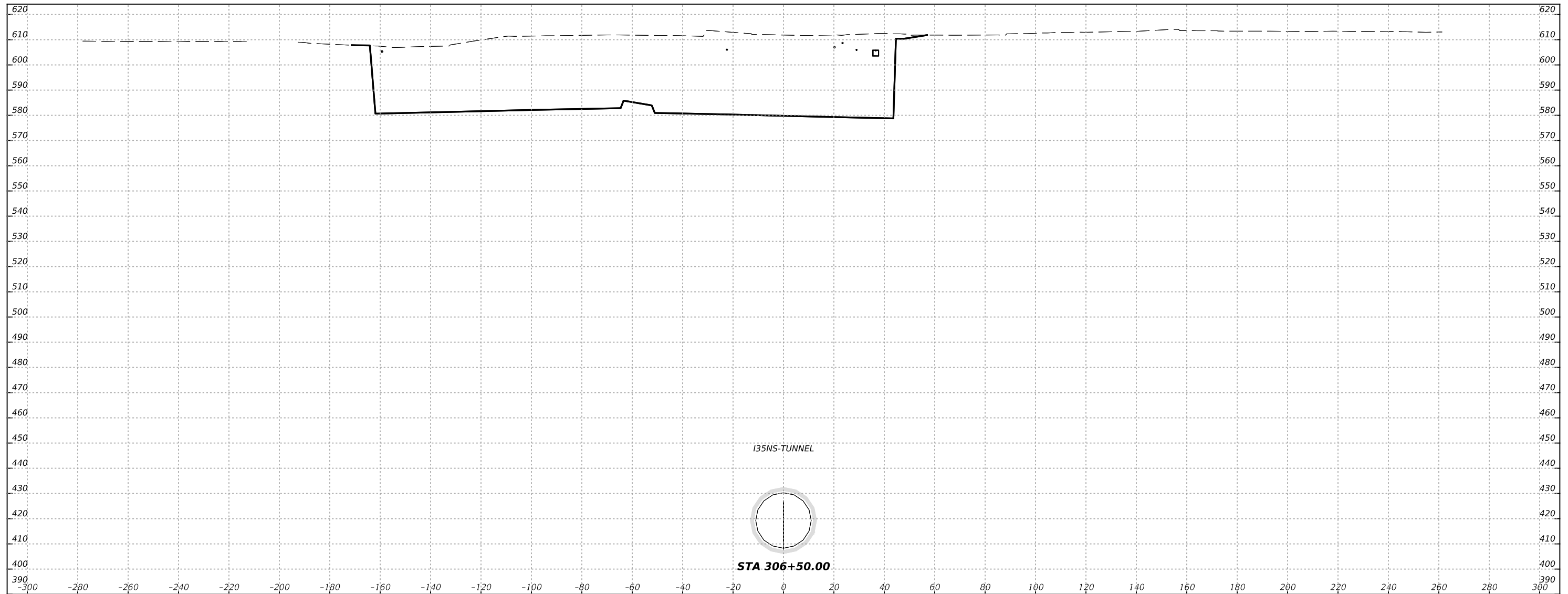
HDR Engineering, Inc.  
 Firm Registration No. F-754  
 710 Hester Crossing, Suite 150  
 Round Rock, Texas 78681



CAPITAL EXPRESS CENTRAL  
 I-35 TUNNEL  
 STA 306+00.00

SCALE: HORIZ: 1"=40'  
 VERT: 1"=40'

CONT	SECT	JOB	HIGHWAY
0015	13	433, ETC.	I-35
DIST	COUNTY		SHEET NO.
AUS	TRAVIS		541



NO.	DATE	REVISION	APPR BY



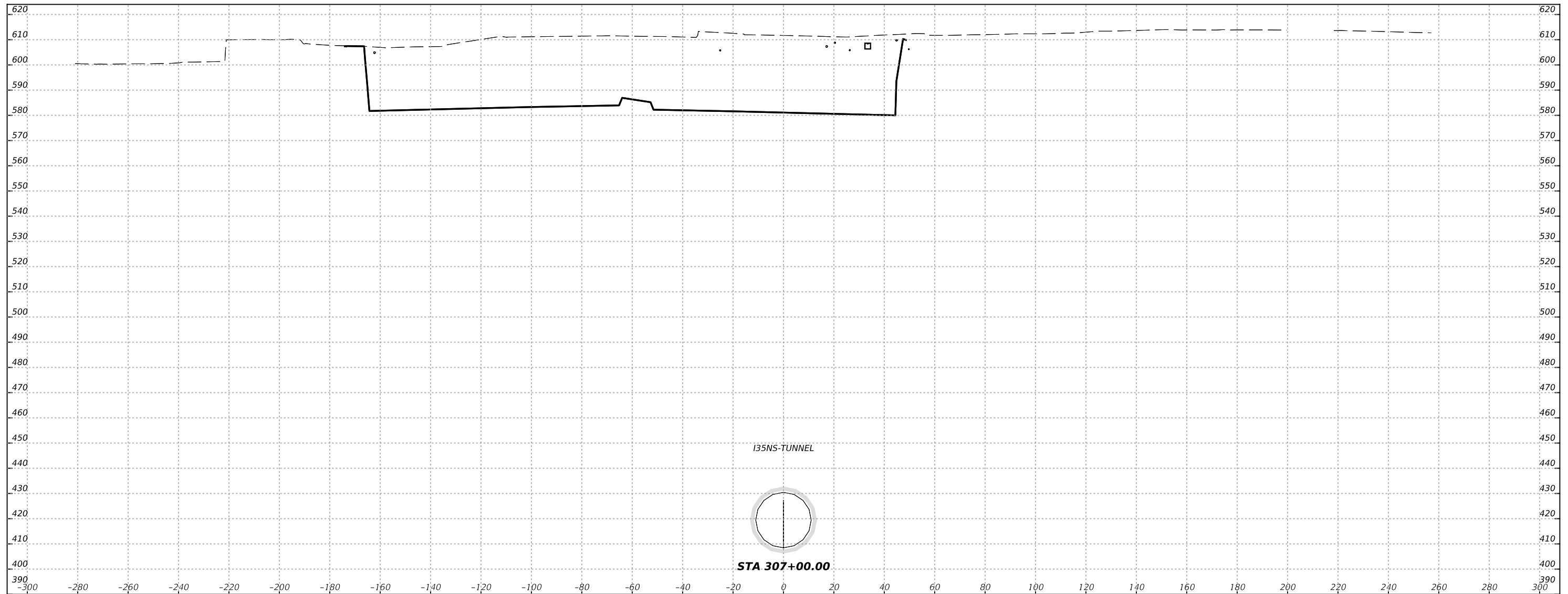
HDR Engineering, Inc.  
 Firm Registration No. F-754  
 710 Hester Crossing, Suite 150  
 Round Rock, Texas 78681



CAPITAL EXPRESS CENTRAL  
 I-35 TUNNEL  
 STA 306+50.00

SCALE: HORIZ: 1"=40'  
 VERT: 1"=40'

CONT	SECT	JOB	HIGHWAY
0015	13	433, ETC.	I-35
DIST	COUNTY		SHEET NO.
AUS	TRAVIS		542



NO.	DATE	REVISION	APPR BY



HDR Engineering, Inc.  
 Firm Registration No. F-754  
 710 Hester Crossing, Suite 150  
 Round Rock, Texas 78681

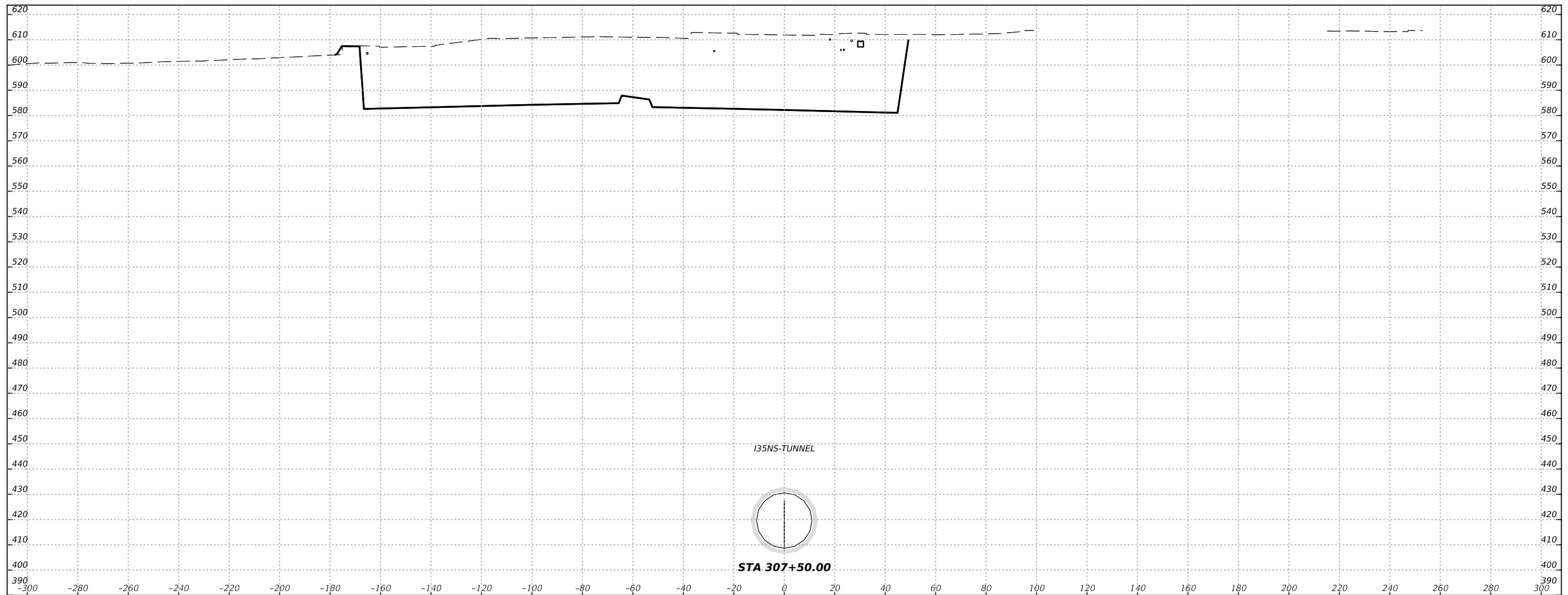


CAPITAL EXPRESS CENTRAL  
 I-35 TUNNEL  
 STA 307+00.00

SCALE: HORIZ: 1"=40'  
 VERT: 1"=40'

CONT	SECT	JOB	HIGHWAY
0015	13	433, ETC.	I-35
DIST	COUNTY		SHEET NO.
AUS	TRAVIS		543





NO.	DATE	REVISION	APPR BY



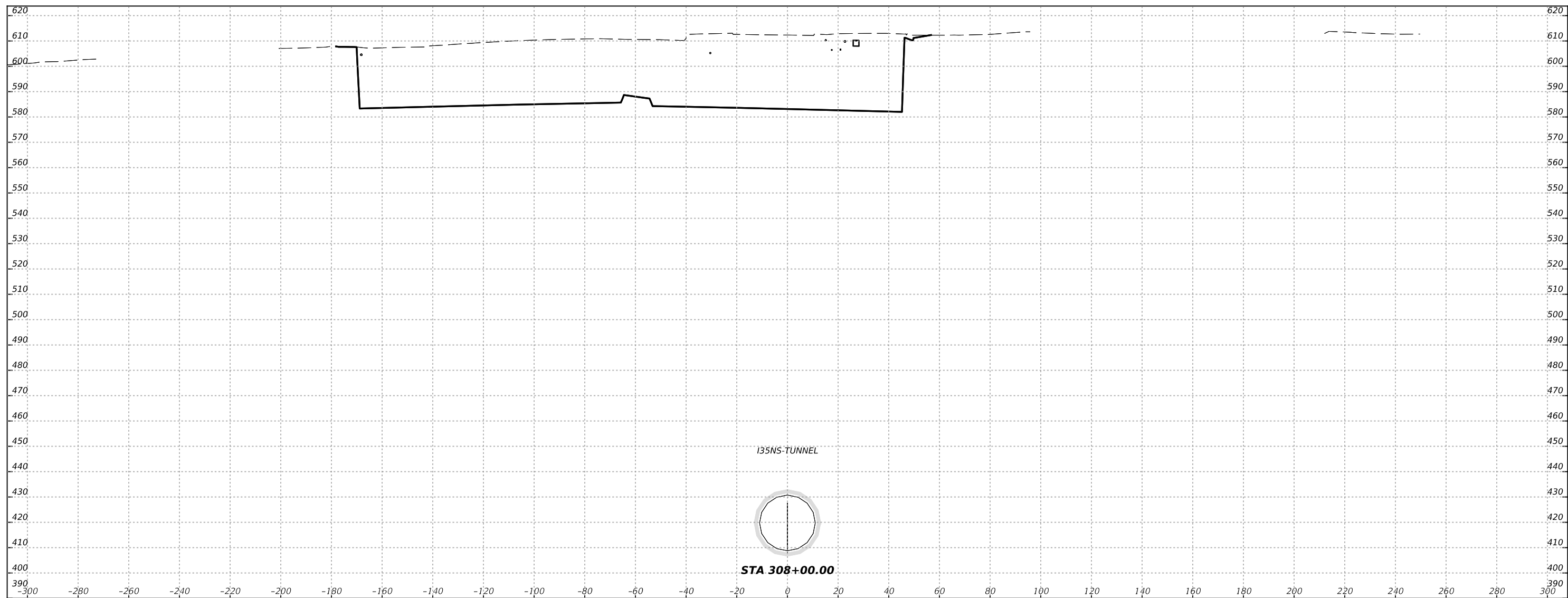
HDR Engineering, Inc.  
 Firm Registration No. F-754  
 710 Hester Crossing, Suite 150  
 Round Rock, Texas 78681



CAPITAL EXPRESS CENTRAL  
 I-35 TUNNEL  
 STA 307+50.00

SCALE: HORIZ: 1"=40'  
 VERT: 1"=40'

CONT	SECT	JOB	HIGHWAY
0015	13	433, ETC.	I-35
DIST	COUNTY	SHEET NO.	
AUS	TRAVIS	544	



NO.	DATE	REVISION	APPR BY



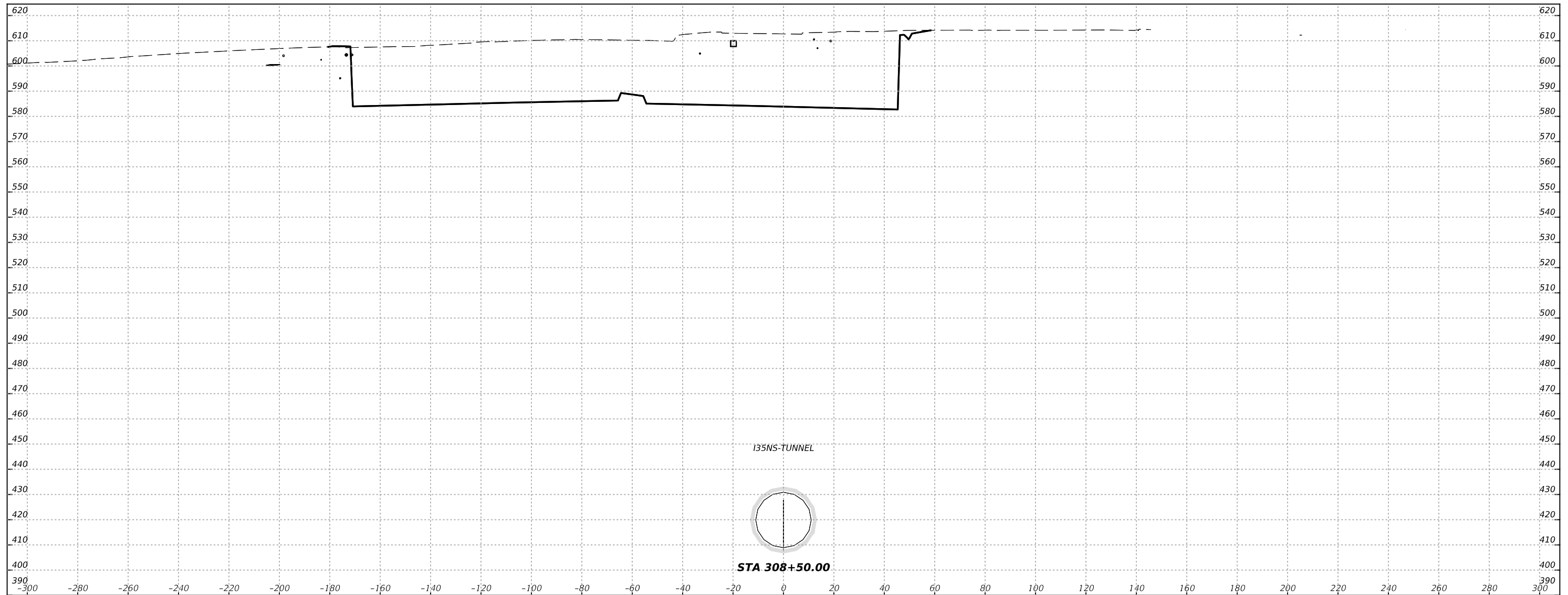
HDR Engineering, Inc.  
 Firm Registration No. F-754  
 710 Hester Crossing, Suite 150  
 Round Rock, Texas 78681



CAPITAL EXPRESS CENTRAL  
 I-35 TUNNEL  
 STA 308+00.00

SCALE: HORIZ: 1"=40'  
 VERT: 1"=40'

CONT	SECT	JOB	HIGHWAY
0015	13	433, ETC.	I-35
DIST	COUNTY		SHEET NO.
AUS	TRAVIS		545



NO.	DATE	REVISION	APPR BY



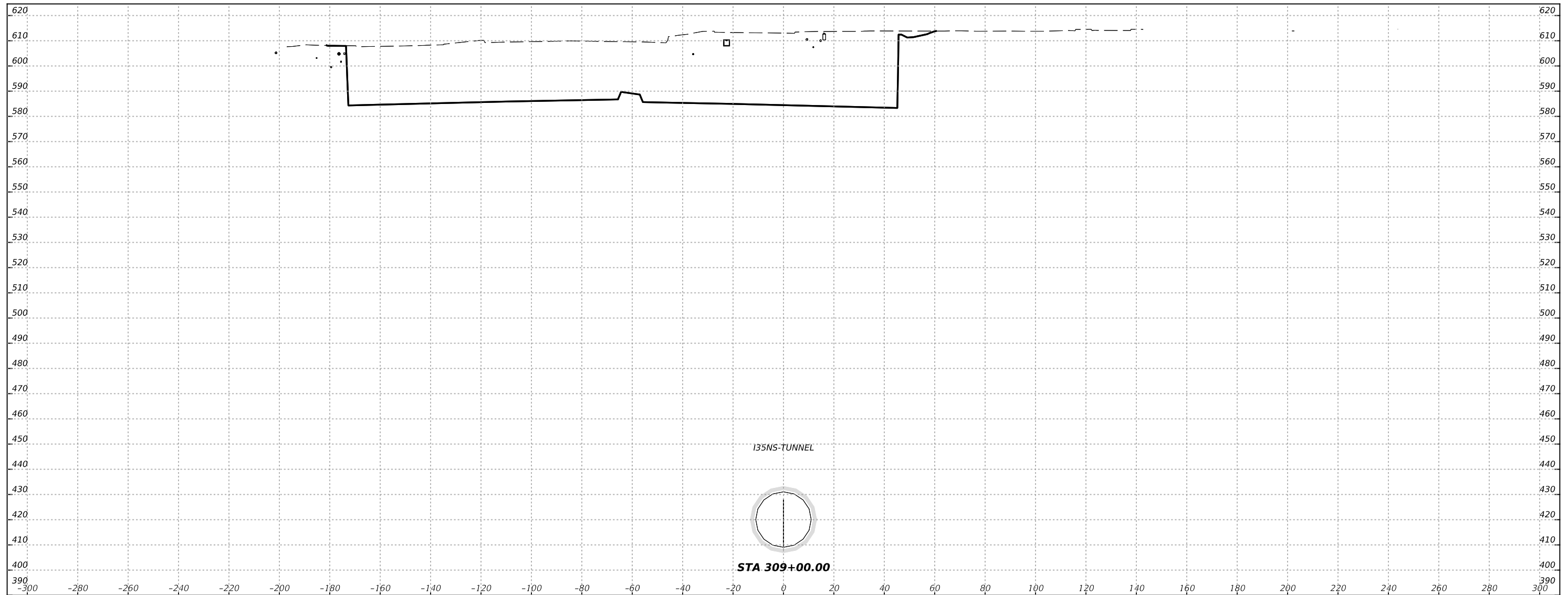
HDR Engineering, Inc.  
 Firm Registration No. F-754  
 710 Hester Crossing, Suite 150  
 Round Rock, Texas 78681



CAPITAL EXPRESS CENTRAL  
 I-35 TUNNEL  
 STA 308+50.00

SCALE: HORIZ: 1"=40'  
 VERT: 1"=40'

CONT	SECT	JOB	HIGHWAY
0015	13	433, ETC.	I-35
DIST	COUNTY	SHEET NO.	
AUS	TRAVIS	546	



I35NS-TUNNEL

STA 309+00.00

NO.	DATE	REVISION	APPR BY



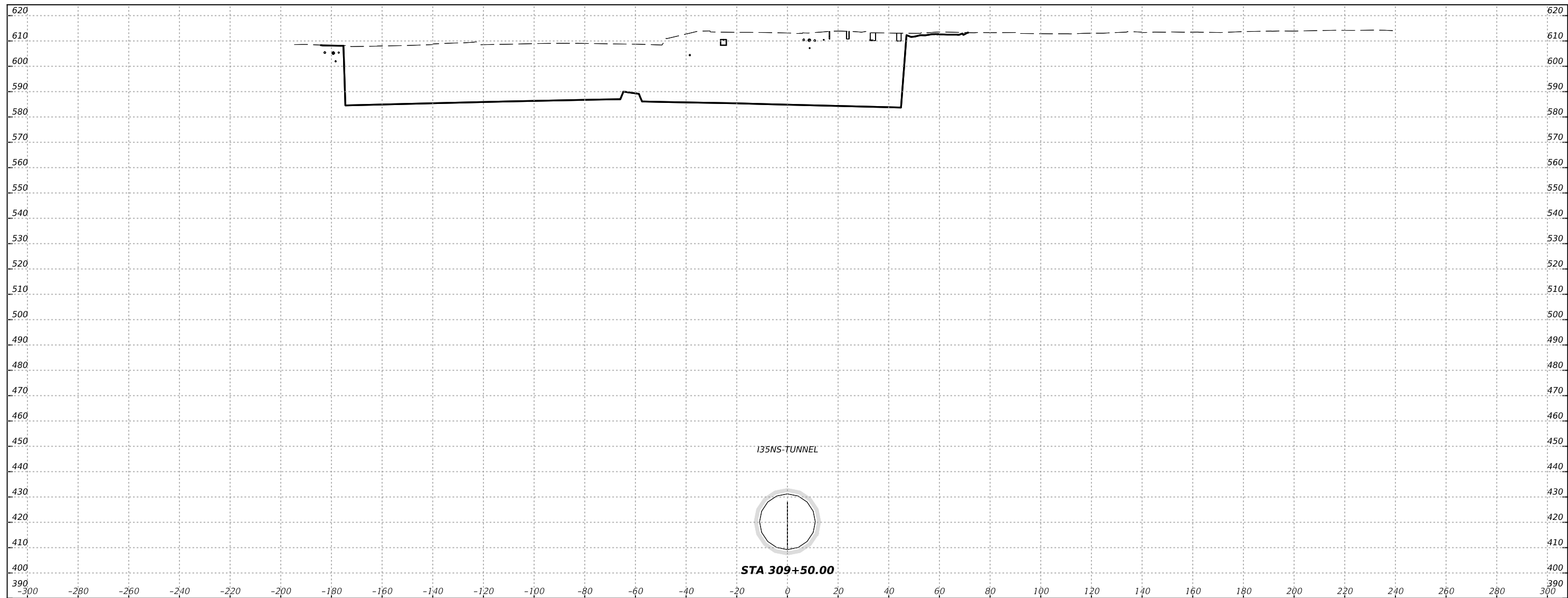
HDR Engineering, Inc.  
 Firm Registration No. F-754  
 710 Hester Crossing, Suite 150  
 Round Rock, Texas 78681



CAPITAL EXPRESS CENTRAL  
 I-35 TUNNEL  
 STA 309+00.00

SCALE: HORIZ: 1"=40'  
 VERT: 1"=40'

CONT	SECT	JOB	HIGHWAY
0015	13	433, ETC.	I-35
DIST	COUNTY		SHEET NO.
AUS	TRAVIS		547



NO.	DATE	REVISION	APPR BY



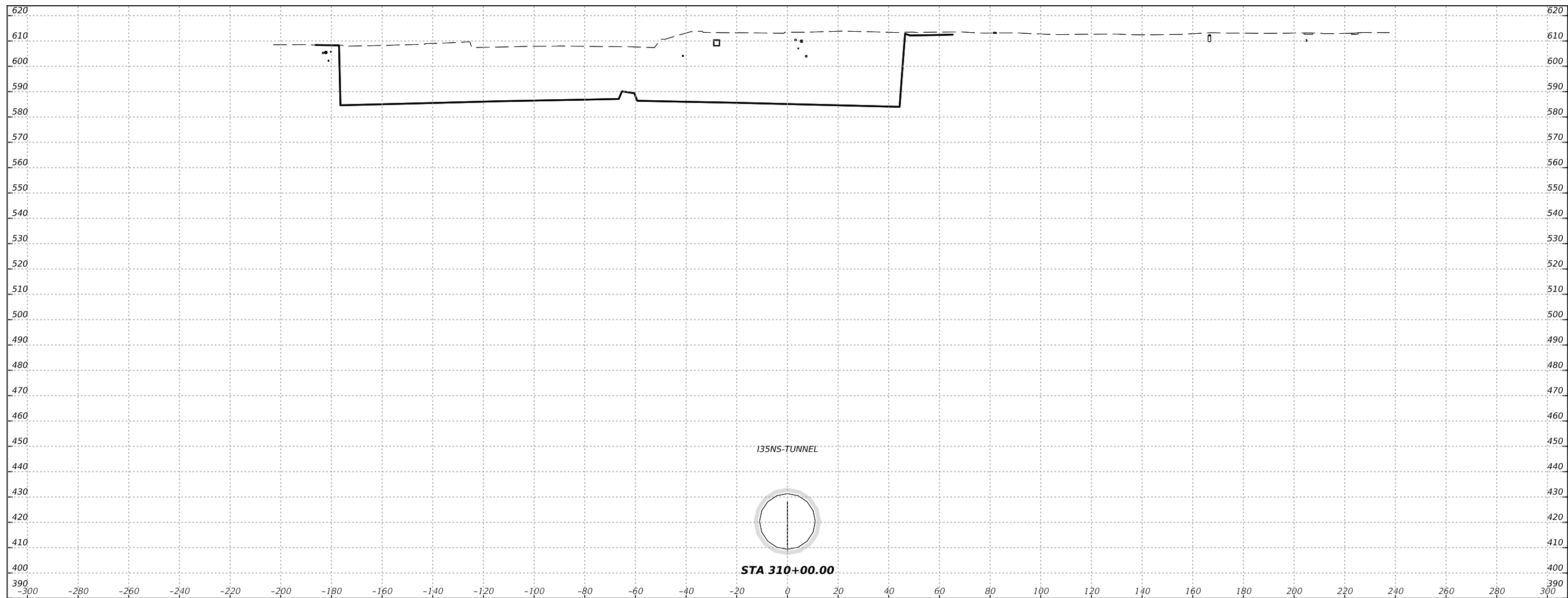
HDR Engineering, Inc.  
 Firm Registration No. F-754  
 710 Hester Crossing, Suite 150  
 Round Rock, Texas 78681



CAPITAL EXPRESS CENTRAL  
 I-35 TUNNEL  
 STA 309+50.00

SCALE: HORIZ: 1"=40'  
 VERT: 1"=40'

CONT	SECT	JOB	HIGHWAY
0015	13	433, ETC.	I-35
DIST	COUNTY	SHEET NO.	
AUS	TRAVIS	548	



NO.	DATE	REVISION	APPR BY



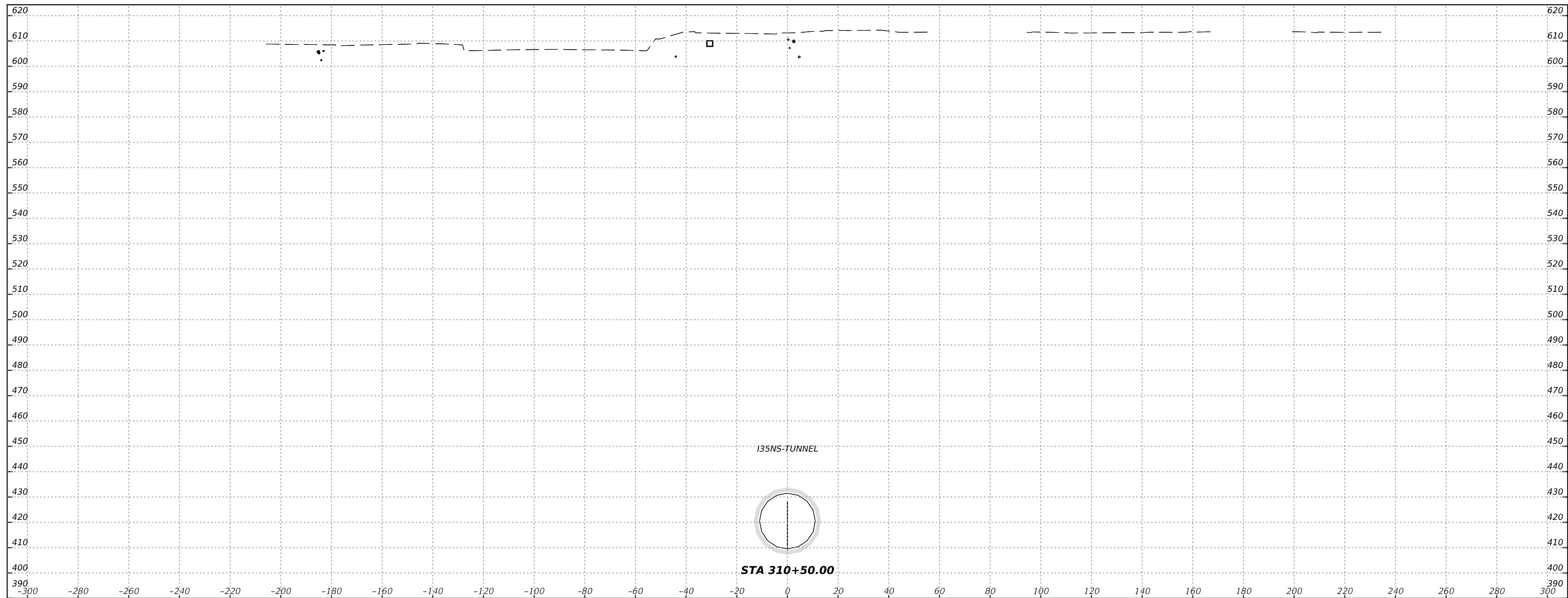
HDR Engineering, Inc.  
 Firm Registration No. F-754  
 710 Hester Crossing, Suite 150  
 Round Rock, Texas 78681



CAPITAL EXPRESS CENTRAL  
 I-35 TUNNEL  
 STA 310+00.00

SCALE: HORIZ: 1"=40'  
 VERT: 1"=40'

CONT	SECT	JOB	HIGHWAY
0015	13	433, ETC.	I-35
DIST	COUNTY	SHEET NO.	
AUS	TRAVIS	549	



NO.	DATE	REVISION	APPR BY



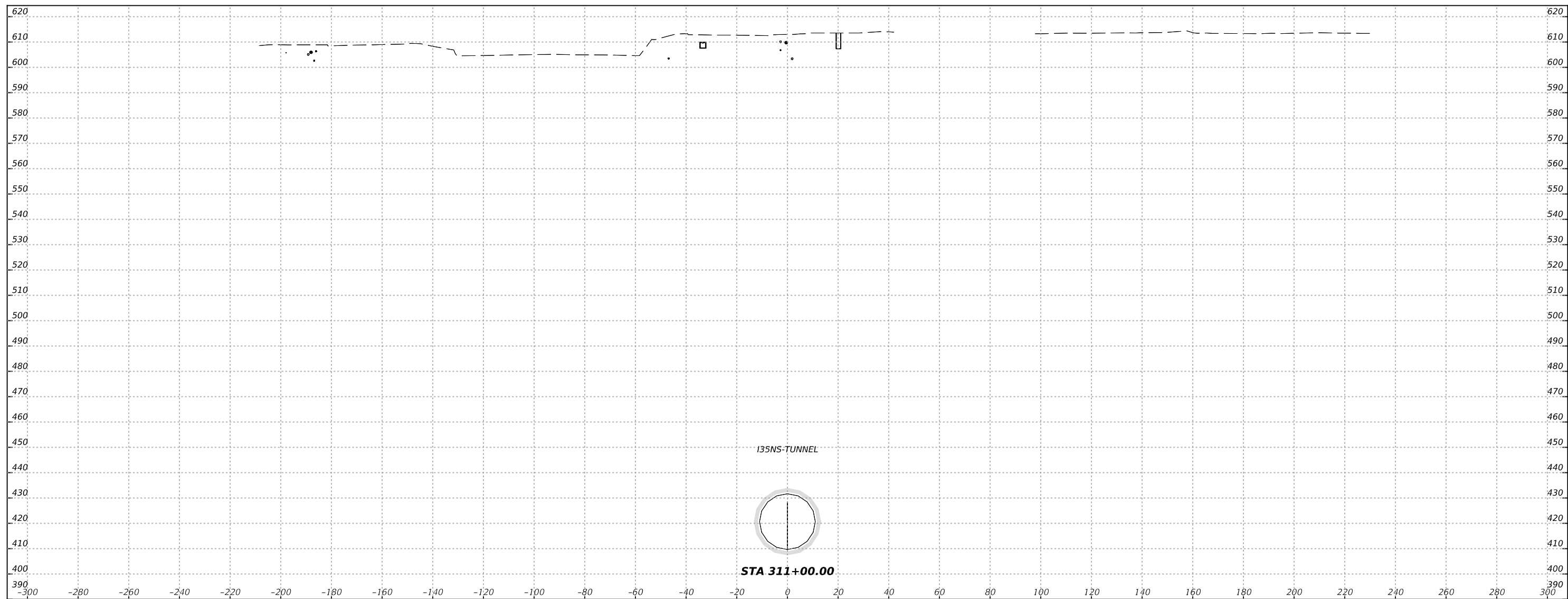
HDR Engineering, Inc.  
 Firm Registration No. F-754  
 710 Hester Crossing, Suite 150  
 Round Rock, Texas 78681



CAPITAL EXPRESS CENTRAL  
 @ I-35 TUNNEL  
 STA 310+50.00

SCALE: HORIZ: 1"=40'  
 VERT: 1"=40'

CONT	SECT	JOB	HIGHWAY
0015	13	433, ETC.	I-35
DIST	COUNTY		SHEET NO.
AUS	TRAVIS		550



NO.	DATE	REVISION	APPR BY



HDR Engineering, Inc.  
 Firm Registration No. F-754  
 710 Hester Crossing, Suite 150  
 Round Rock, Texas 78681

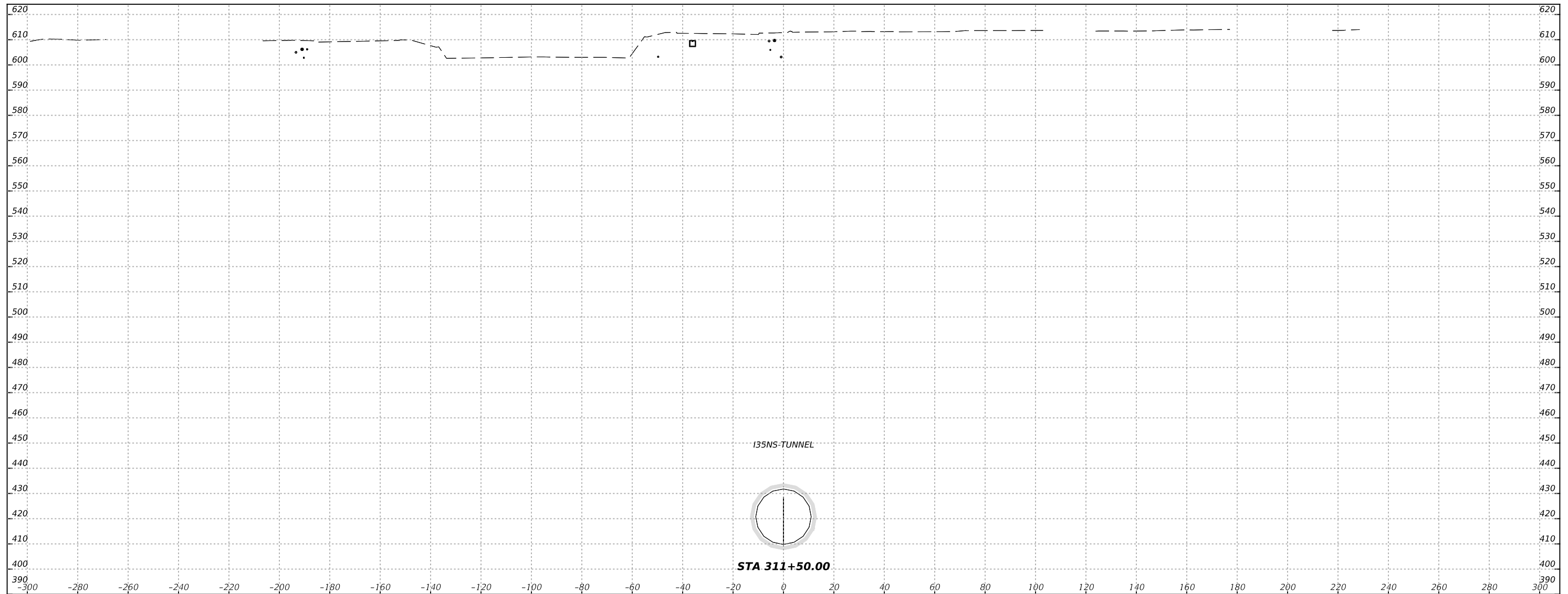


CAPITAL EXPRESS CENTRAL  
 I-35 TUNNEL  
 STA 311+00.00

SCALE: HORIZ: 1"=40'  
 VERT: 1"=40'

CONT	SECT	JOB	HIGHWAY
0015	13	433, ETC.	I-35
DIST	COUNTY		SHEET NO.
AUS	TRAVIS		551





DATE: 6/29/2023 11:09:40 PM  
 FILE: XS Segment 3.dgn

NO.	DATE	REVISION	APPR BY



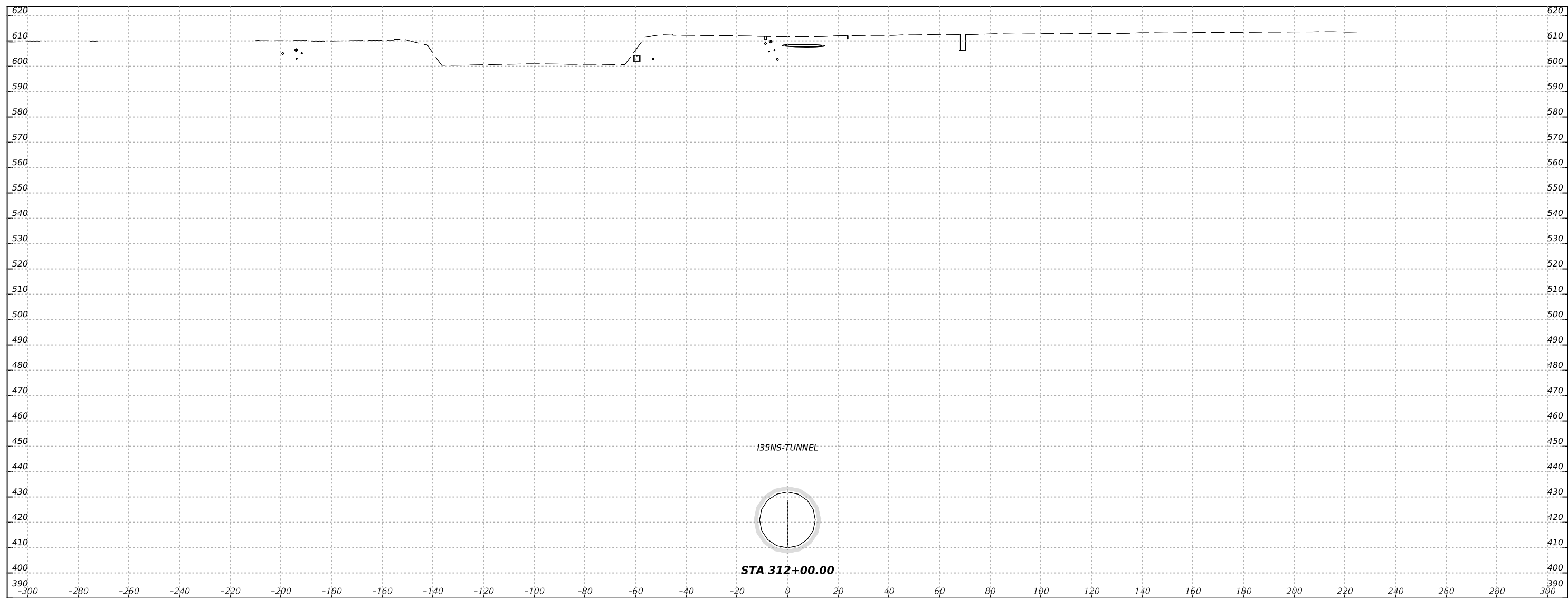
HDR Engineering, Inc.  
 Firm Registration No. F-754  
 710 Hester Crossing, Suite 150  
 Round Rock, Texas 78681



CAPITAL EXPRESS CENTRAL  
 I-35 TUNNEL  
 STA 311+50.00

SCALE: HORIZ: 1"=40'  
 VERT: 1"=40'

CONT	SECT	JOB	HIGHWAY
0015	13	433, ETC.	I-35
DIST	COUNTY	SHEET NO.	
AUS	TRAVIS	552	



NO.	DATE	REVISION	APPR BY



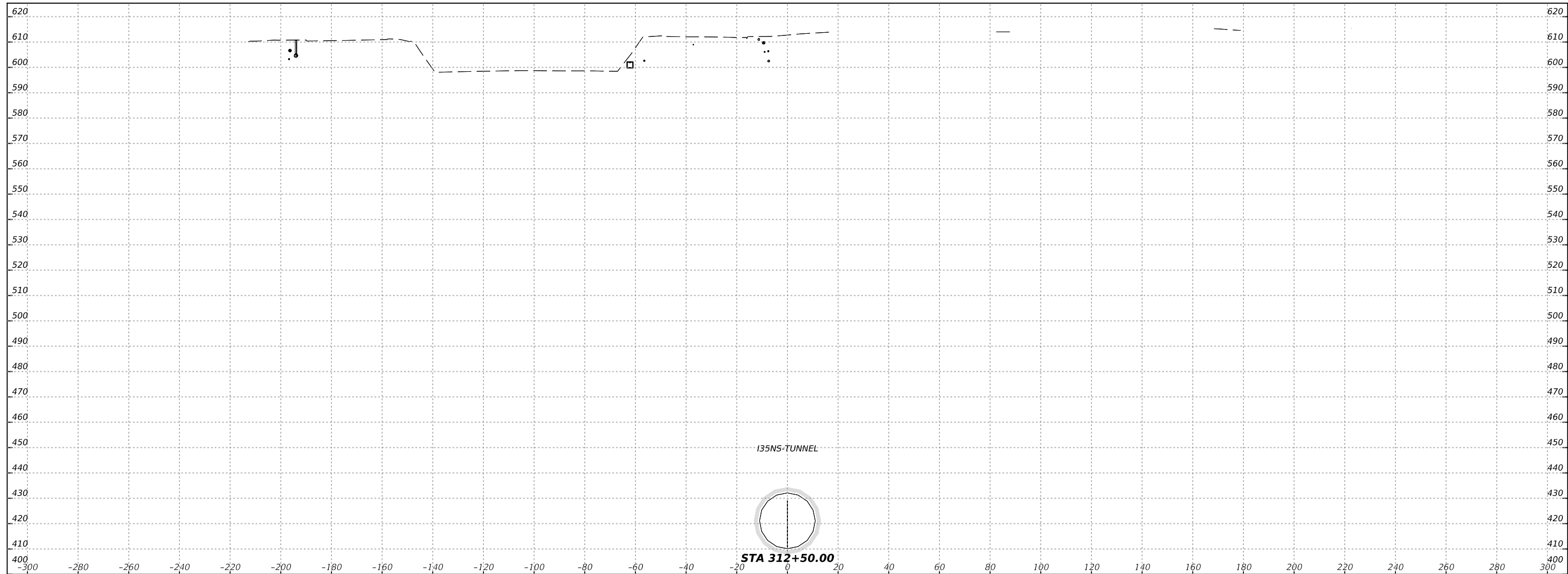
HDR Engineering, Inc.  
 Firm Registration No. F-754  
 710 Hester Crossing, Suite 150  
 Round Rock, Texas 78681



CAPITAL EXPRESS CENTRAL  
 I-35 TUNNEL  
 STA 312+00.00

SCALE: HORIZ: 1"=40'  
 VERT: 1"=40'

CONT	SECT	JOB	HIGHWAY
0015	13	433, ETC.	I-35
DIST	COUNTY	SHEET NO.	
AUS	TRAVIS	553	



NO.	DATE	REVISION	APPR BY



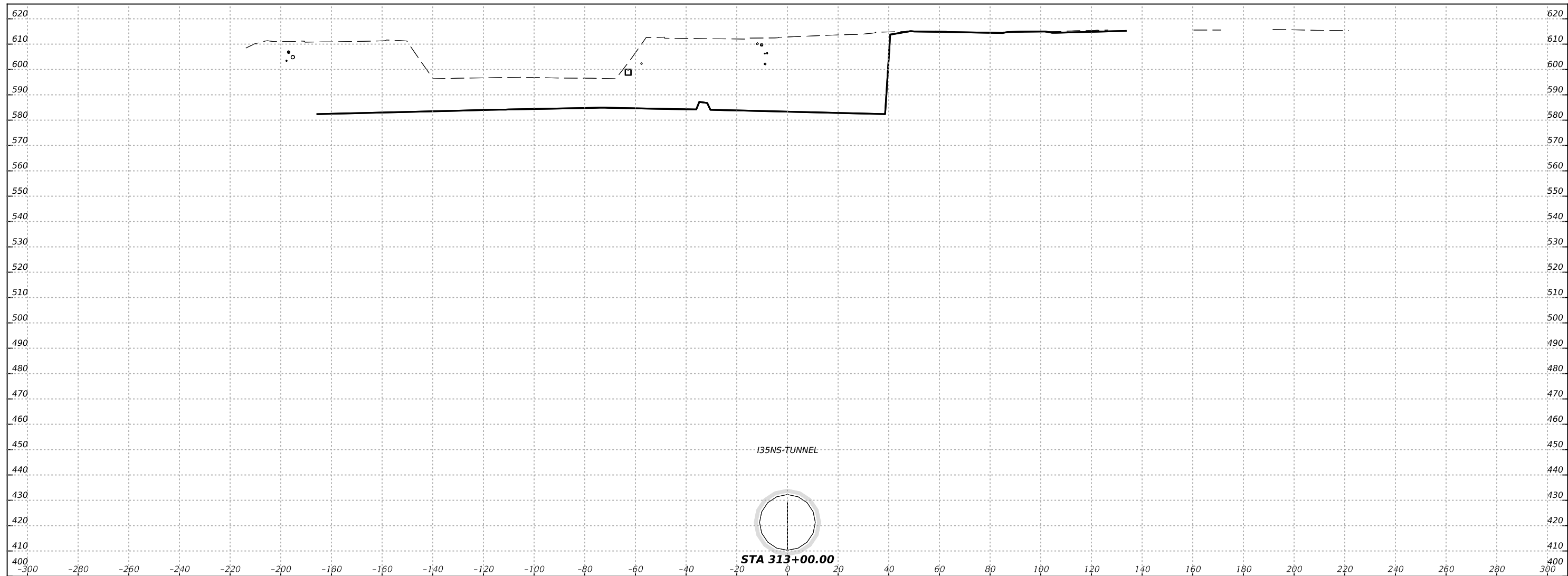
HDR Engineering, Inc.  
 Firm Registration No. F-754  
 710 Hester Crossing, Suite 150  
 Round Rock, Texas 78681



CAPITAL EXPRESS CENTRAL  
 @ I-35 TUNNEL  
 STA 312+50.00

SCALE: HORIZ: 1"=40'  
 VERT: 1"=40'

CONT	SECT	JOB	HIGHWAY
0015	13	433, ETC.	I-35
DIST	COUNTY		SHEET NO.
AUS	TRAVIS		554



NO.	DATE	REVISION	APPR BY



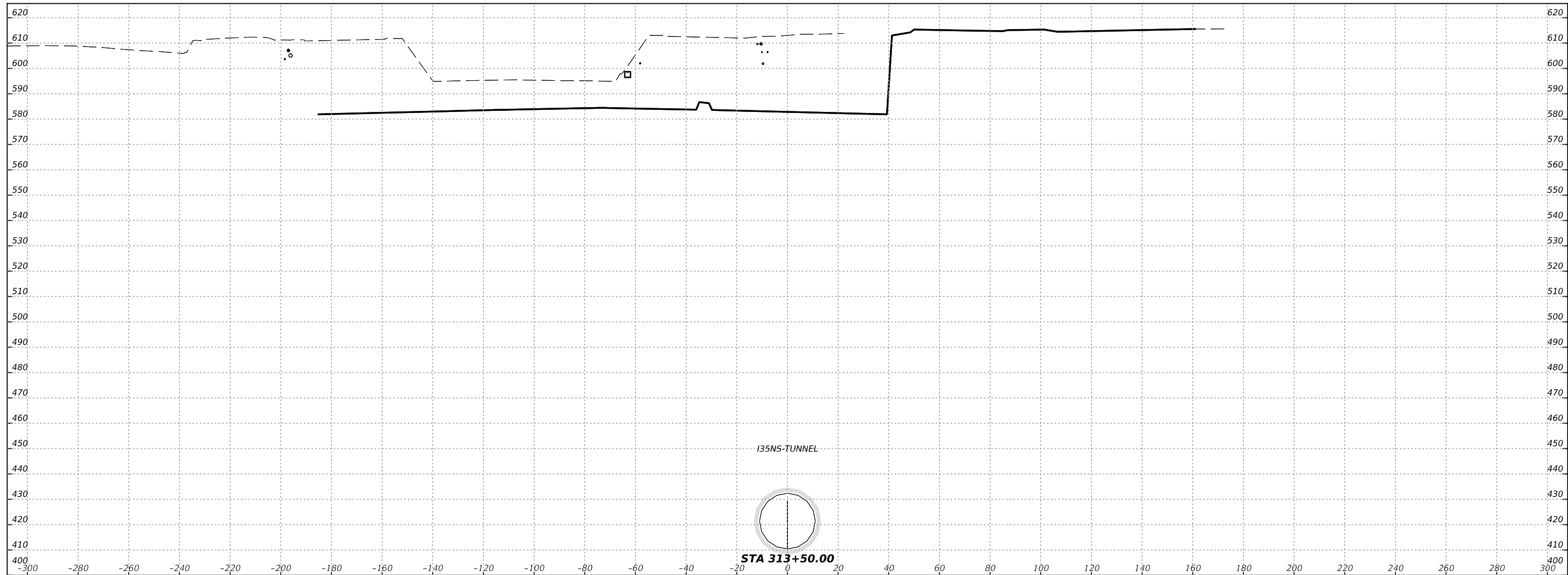
HDR Engineering, Inc.  
 Firm Registration No. F-754  
 710 Hester Crossing, Suite 150  
 Round Rock, Texas 78681



CAPITAL EXPRESS CENTRAL  
 I-35 TUNNEL  
 STA 313+00.00

SCALE: HORIZ: 1"=40'  
 VERT: 1"=40'

CONT	SECT	JOB	HIGHWAY
0015	13	433, ETC.	I-35
DIST	COUNTY		SHEET NO.
AUS	TRAVIS		555



NO.	DATE	REVISION	APPR BY



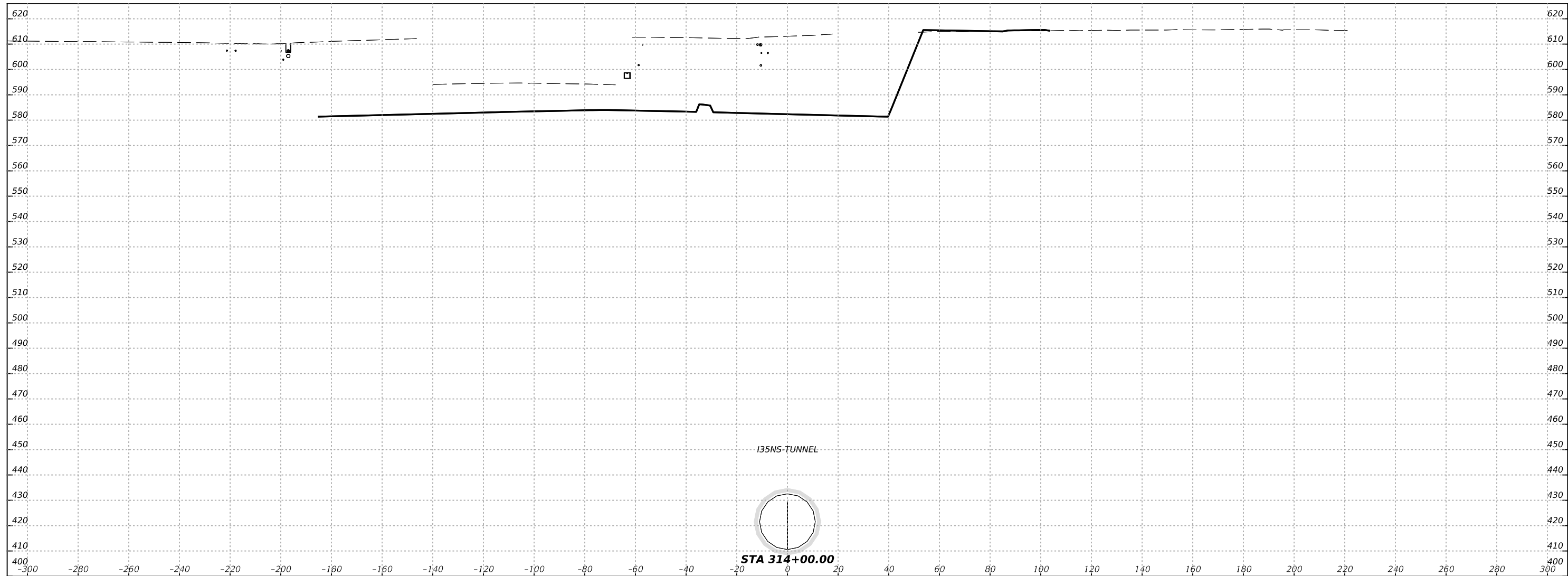
HDR Engineering, Inc.  
 Firm Registration No. F-754  
 710 Hester Crossing, Suite 150  
 Round Rock, Texas 78681



CAPITAL EXPRESS CENTRAL  
 I-35 TUNNEL  
 STA 313+50.00

SCALE: HORIZ: 1"=40'  
 VERT: 1"=40'

CONT	SECT	JOB	HIGHWAY
0015	13	433, ETC.	I-35
DIST	COUNTY		SHEET NO.
AUS	TRAVIS		556



NO.	DATE	REVISION	APPR BY



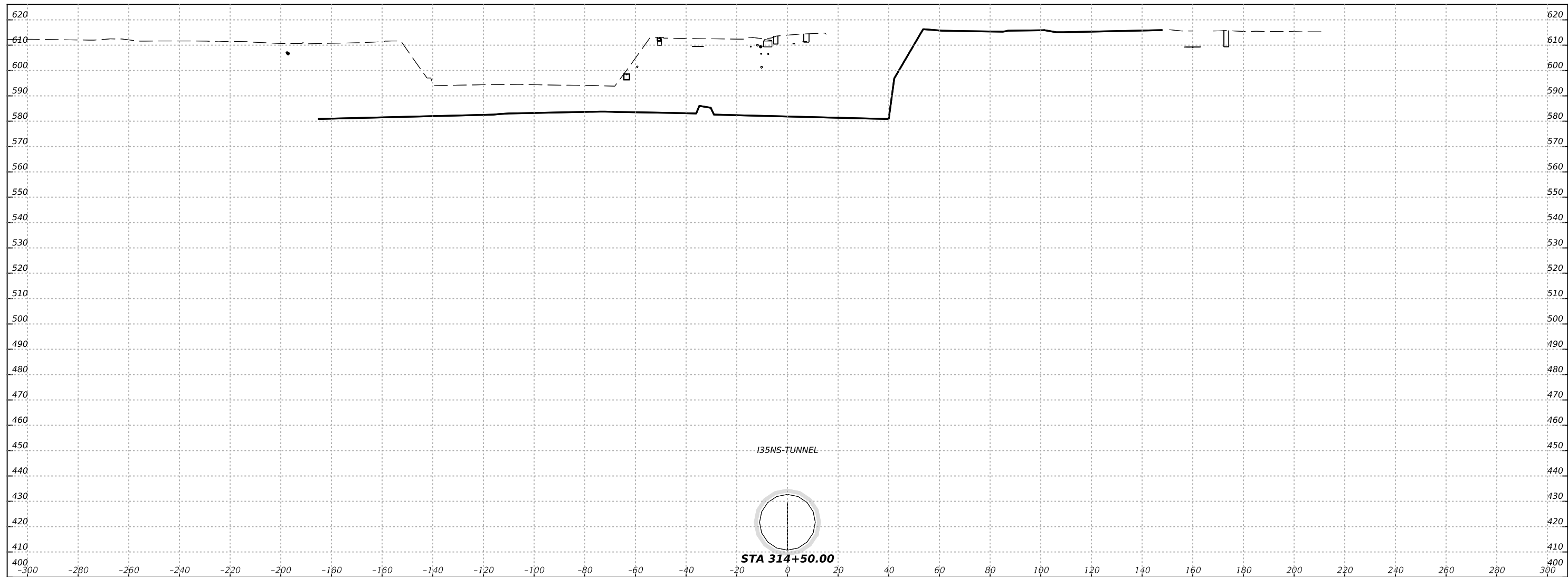
HDR Engineering, Inc.  
 Firm Registration No. F-754  
 710 Hester Crossing, Suite 150  
 Round Rock, Texas 78681



CAPITAL EXPRESS CENTRAL  
 @ I-35 TUNNEL  
 STA 314+00.00

SCALE: HORIZ: 1"=40'  
 VERT: 1"=40'

CONT	SECT	JOB	HIGHWAY
0015	13	433, ETC.	I-35
DIST	COUNTY		SHEET NO.
AUS	TRAVIS		557



NO.	DATE	REVISION	APPR BY



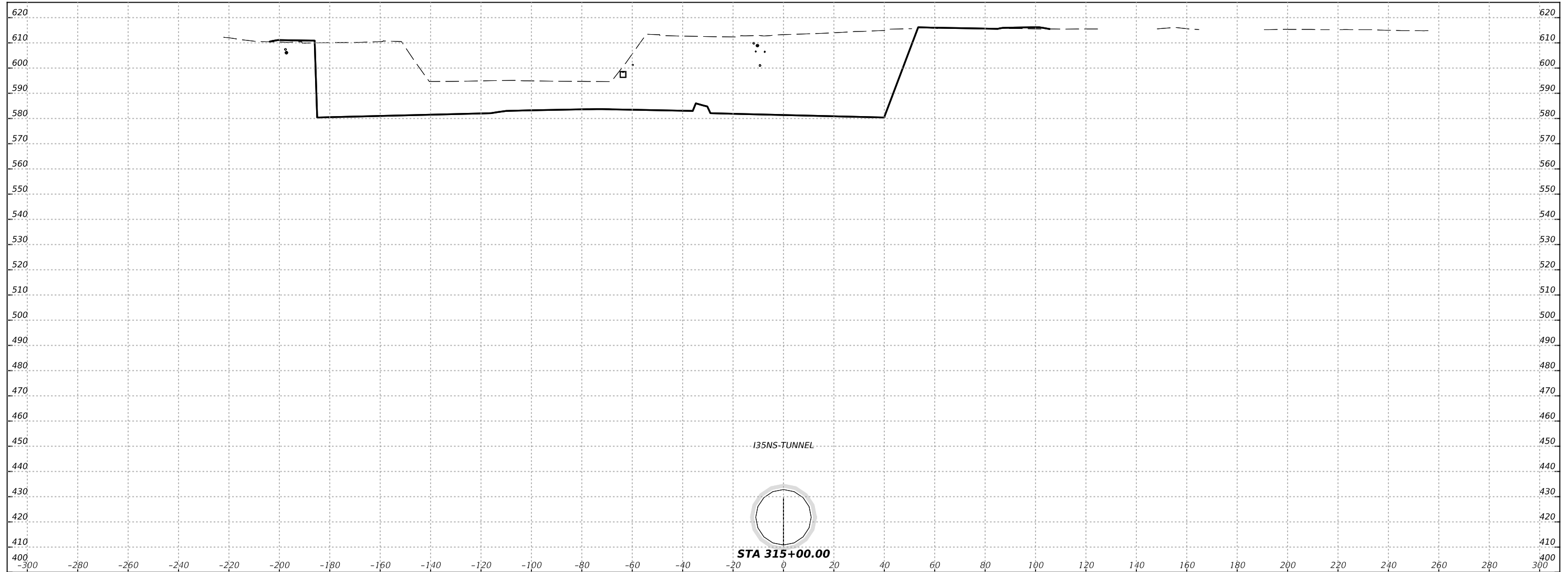
HDR Engineering, Inc.  
 Firm Registration No. F-754  
 710 Hester Crossing, Suite 150  
 Round Rock, Texas 78681



CAPITAL EXPRESS CENTRAL  
 I-35 TUNNEL  
 STA 314+50.00

SCALE: HORIZ: 1"=40'  
 VERT: 1"=40'

CONT	SECT	JOB	HIGHWAY
0015	13	433, ETC.	I-35
DIST	COUNTY		SHEET NO.
AUS	TRAVIS		558



NO.	DATE	REVISION	APPR BY



HDR Engineering, Inc.  
 Firm Registration No. F-754  
 710 Hester Crossing, Suite 150  
 Round Rock, Texas 78681

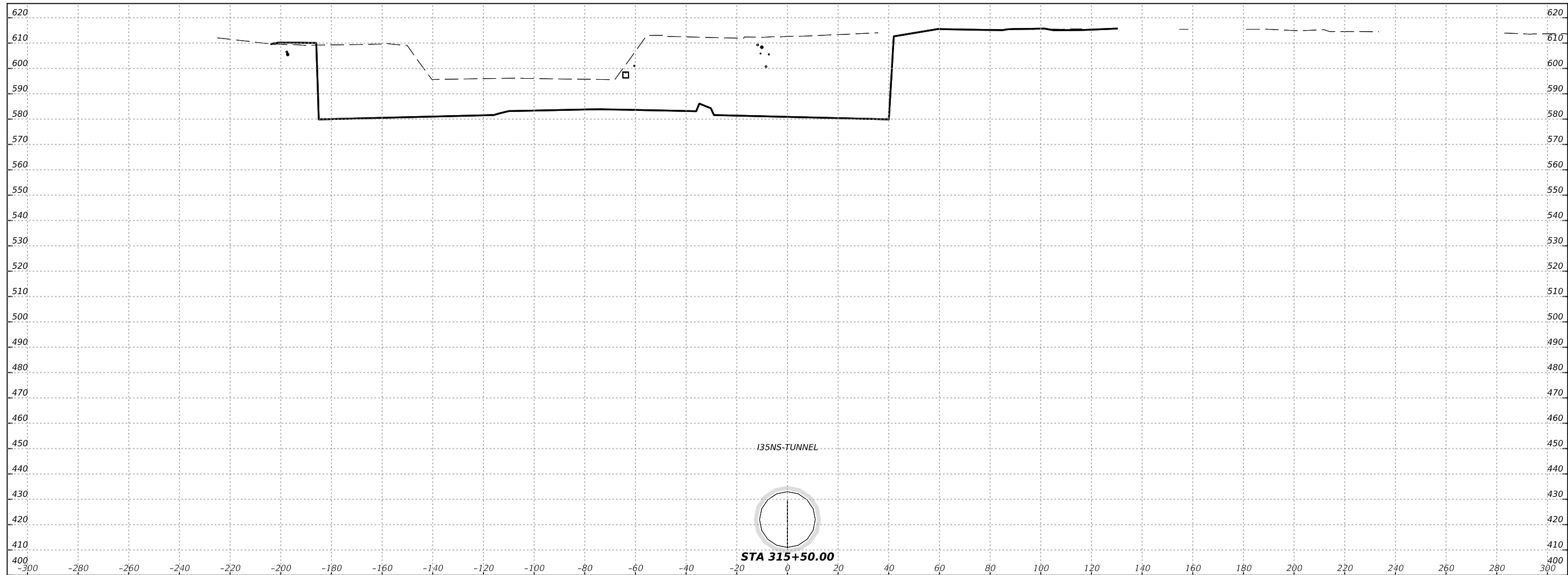


CAPITAL EXPRESS CENTRAL  
 I-35 TUNNEL  
 STA 315+00.00

SCALE: HORIZ: 1"=40'  
 VERT: 1"=40'

CONT	SECT	JOB	HIGHWAY
0015	13	433, ETC.	I-35
DIST	COUNTY		SHEET NO.
AUS	TRAVIS		559





NO.	DATE	REVISION	APPR BY



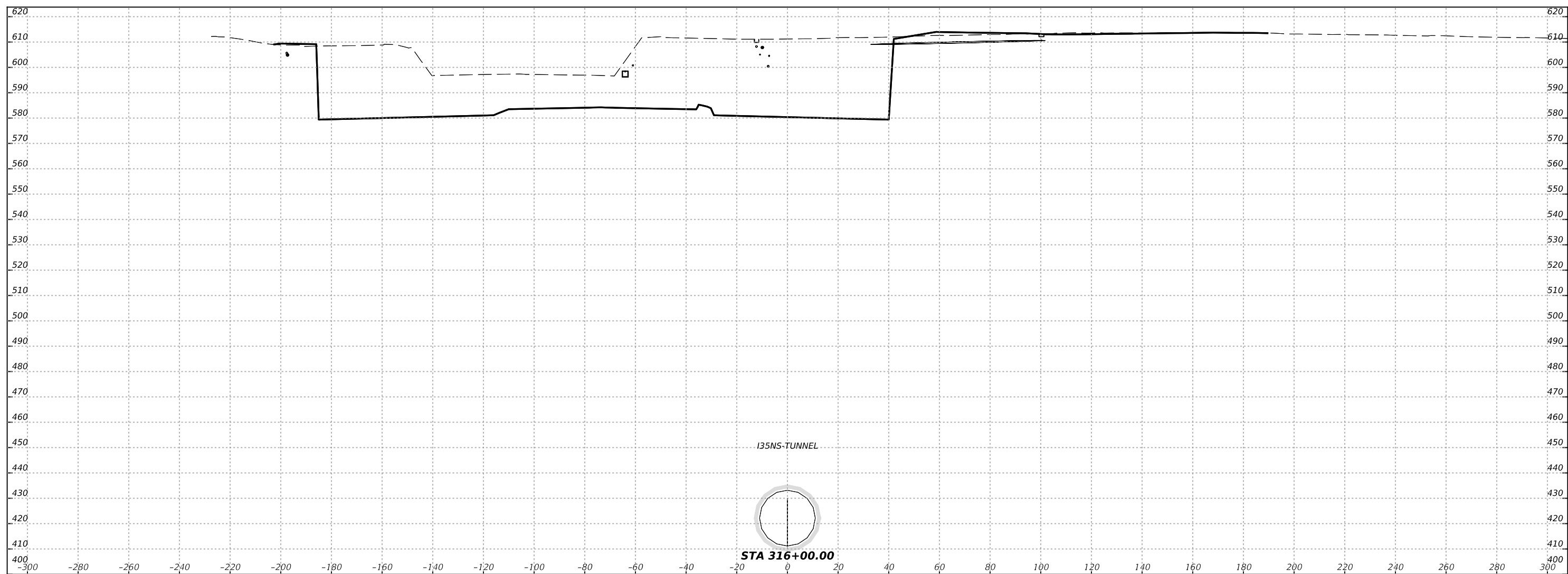
HDR Engineering, Inc.  
 Firm Registration No. F-754  
 710 Hester Crossing, Suite 150  
 Round Rock, Texas 78681



CAPITAL EXPRESS CENTRAL  
 @ I-35 TUNNEL  
 STA 315+50.00

SCALE: HORIZ: 1"=40'  
 VERT: 1"=40'

CONT	SECT	JOB	HIGHWAY
0015	13	433, ETC.	I-35
DIST	COUNTY		SHEET NO.
AUS	TRAVIS		560



NO.	DATE	REVISION	APPR BY



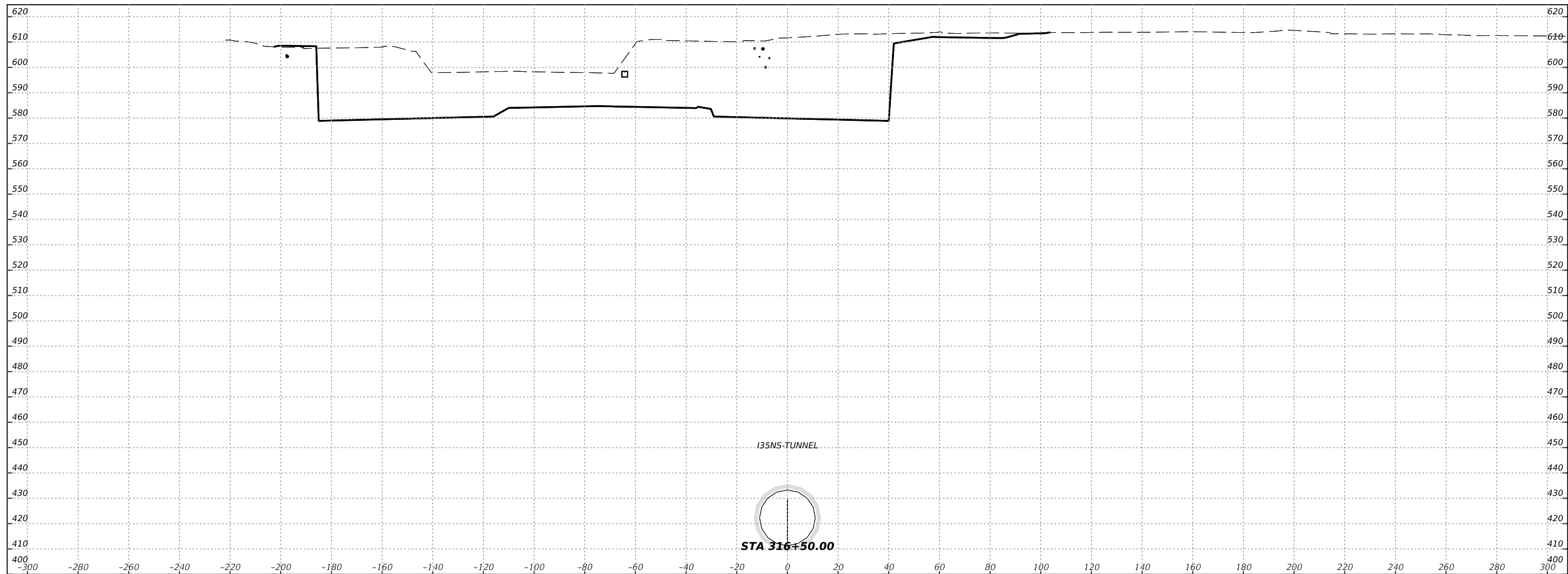
HDR Engineering, Inc.  
 Firm Registration No. F-754  
 710 Hester Crossing, Suite 150  
 Round Rock, Texas 78681



CAPITAL EXPRESS CENTRAL  
 I-35 TUNNEL  
 STA 316+00.00

SCALE: HORIZ: 1"=40'  
 VERT: 1"=40'

CONT	SECT	JOB	HIGHWAY
0015	13	433, ETC.	I-35
DIST	COUNTY		SHEET NO.
AUS	TRAVIS		561



NO.	DATE	REVISION	APPR BY



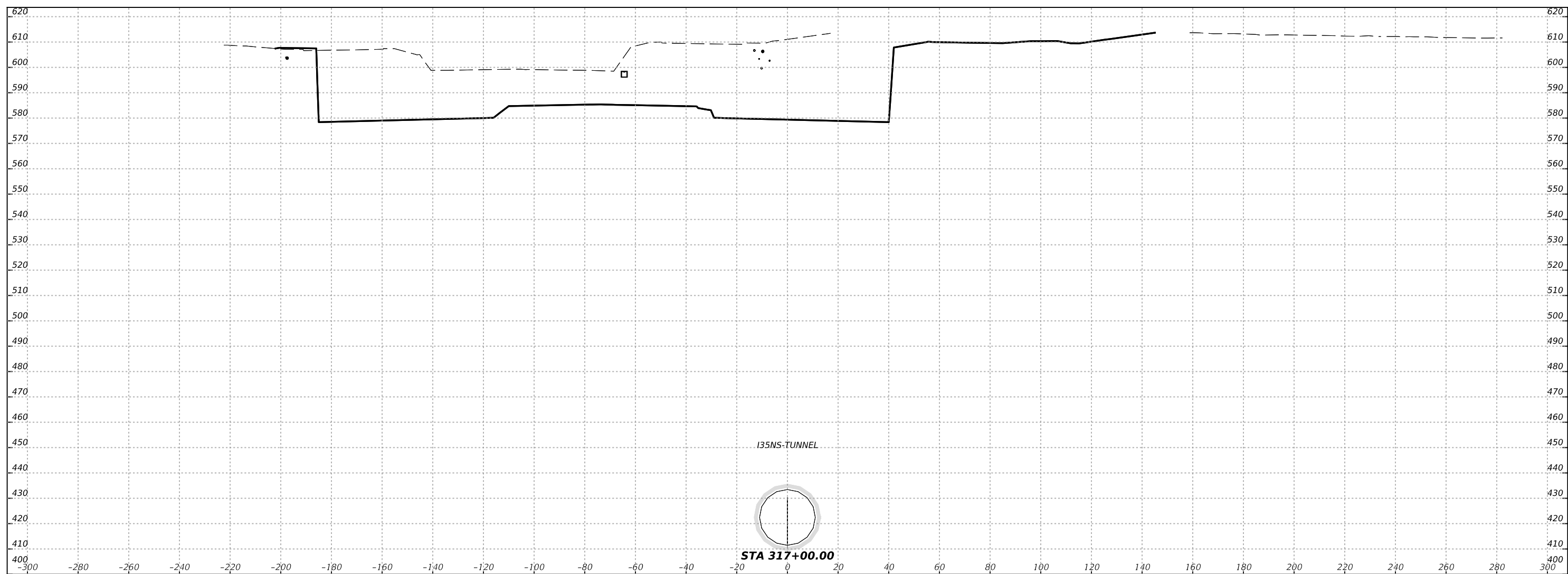
HDR Engineering, Inc.  
 Firm Registration No. F-754  
 710 Hester Crossing, Suite 150  
 Round Rock, Texas 78681



CAPITAL EXPRESS CENTRAL  
 I-35 TUNNEL  
 STA 316+50.00

SCALE: HORIZ: 1"=40'  
 VERT: 1"=40'

CONT	SECT	JOB	HIGHWAY
0015	13	433, ETC.	I-35
DIST	COUNTY		SHEET NO.
AUS	TRAVIS		562



NO.	DATE	REVISION	APPR BY



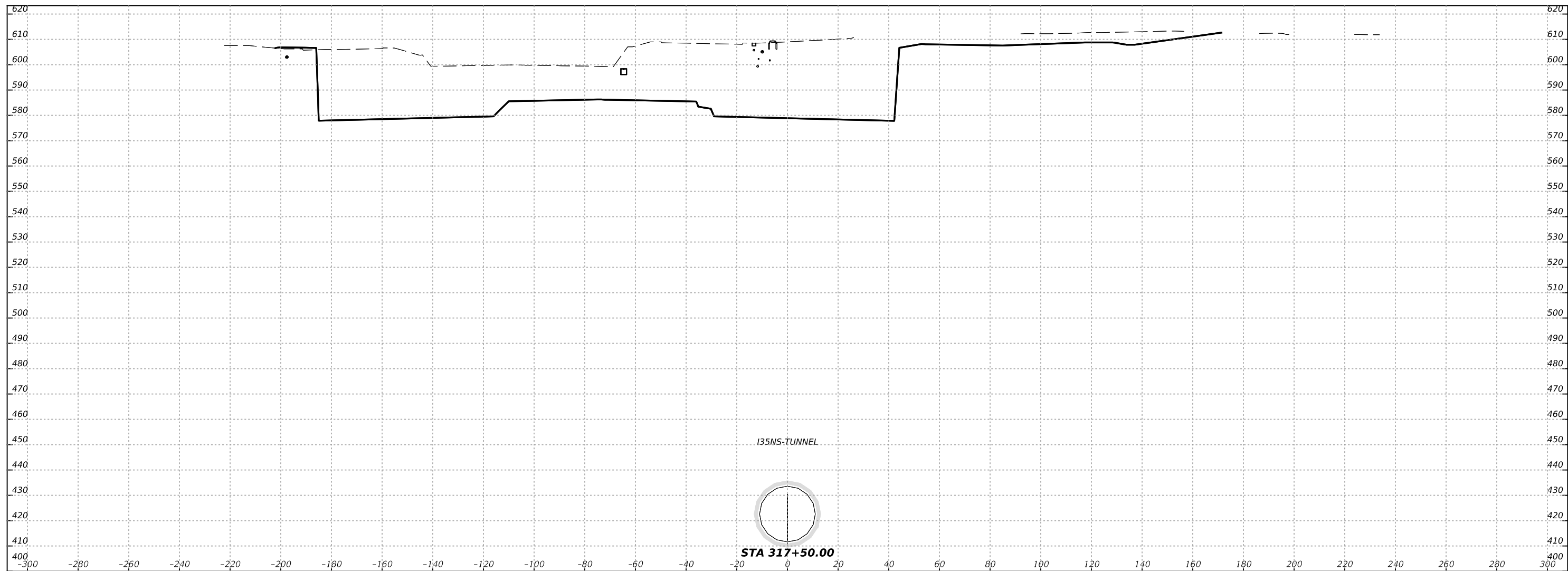
HDR Engineering, Inc.  
 Firm Registration No. F-754  
 710 Hester Crossing, Suite 150  
 Round Rock, Texas 78681



CAPITAL EXPRESS CENTRAL  
 I-35 TUNNEL  
 STA 317+00.00

SCALE: HORIZ: 1"=40'  
 VERT: 1"=40'

CONT	SECT	JOB	HIGHWAY
0015	13	433, ETC.	I-35
DIST COUNTY			SHEET NO.
AUS	TRAVIS		563



NO.	DATE	REVISION	APPR BY



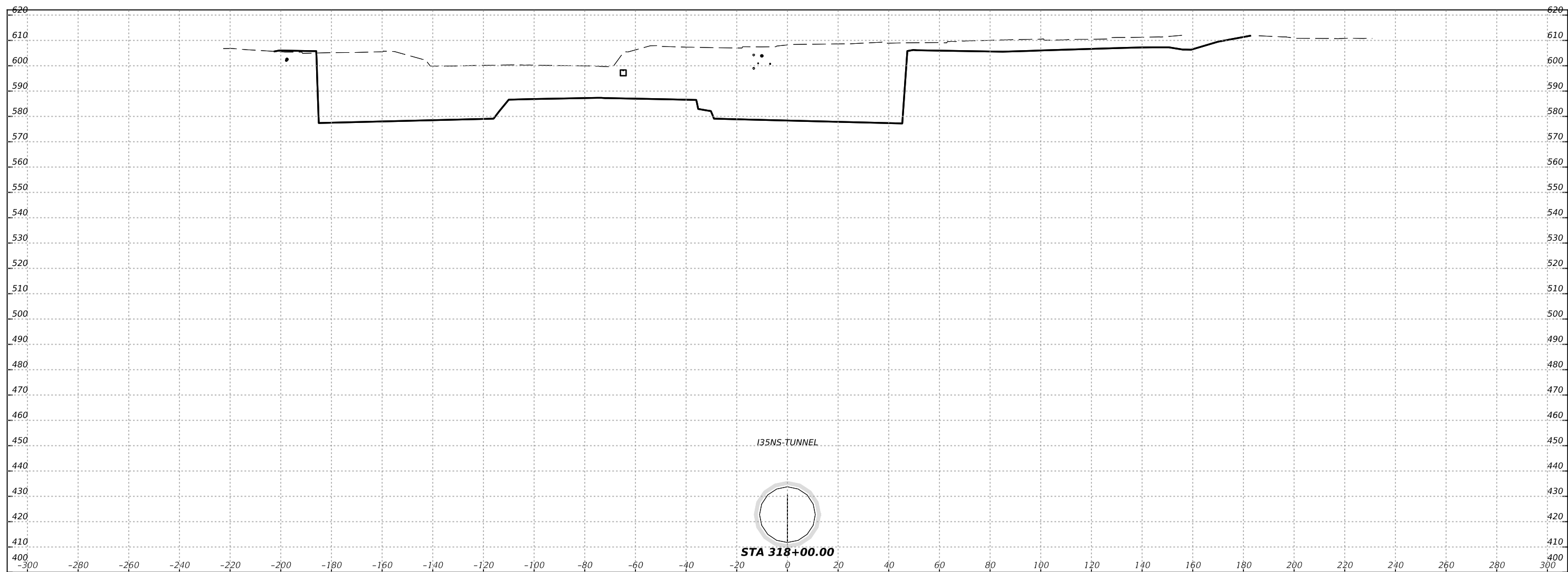
HDR Engineering, Inc.  
 Firm Registration No. F-754  
 710 Hester Crossing, Suite 150  
 Round Rock, Texas 78681



CAPITAL EXPRESS CENTRAL  
 I-35 TUNNEL  
 STA 317+50.00

SCALE: HORIZ: 1"=40'  
 VERT: 1"=40'

CONT	SECT	JOB	HIGHWAY
0015	13	433, ETC.	I-35
DIST	COUNTY		SHEET NO.
AUS	TRAVIS		564



NO.	DATE	REVISION	APPR BY



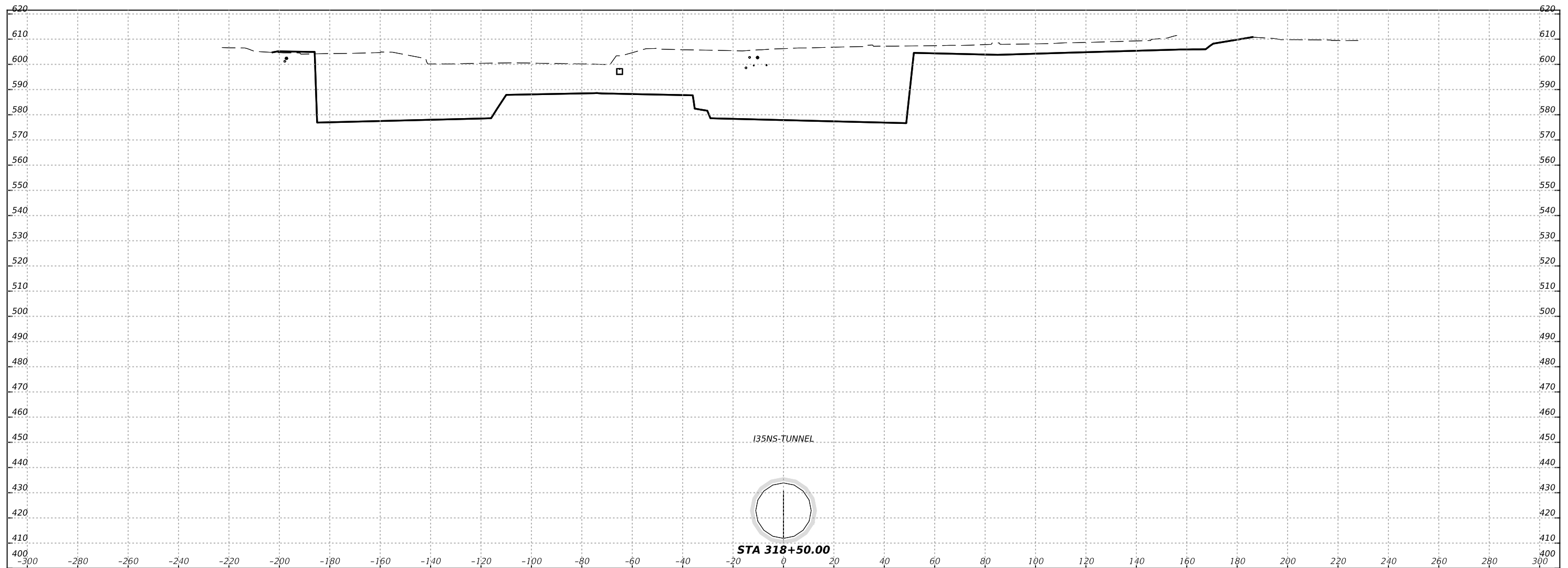
HDR Engineering, Inc.  
 Firm Registration No. F-754  
 710 Hester Crossing, Suite 150  
 Round Rock, Texas 78681



CAPITAL EXPRESS CENTRAL  
 I-35 TUNNEL  
 STA 318+00.00

SCALE: HORIZ: 1"=40'  
 VERT: 1"=40'

CONT	SECT	JOB	HIGHWAY
0015	13	433, ETC.	I-35
DIST	COUNTY		SHEET NO.
AUS	TRAVIS		565



NO.	DATE	REVISION	APPR BY



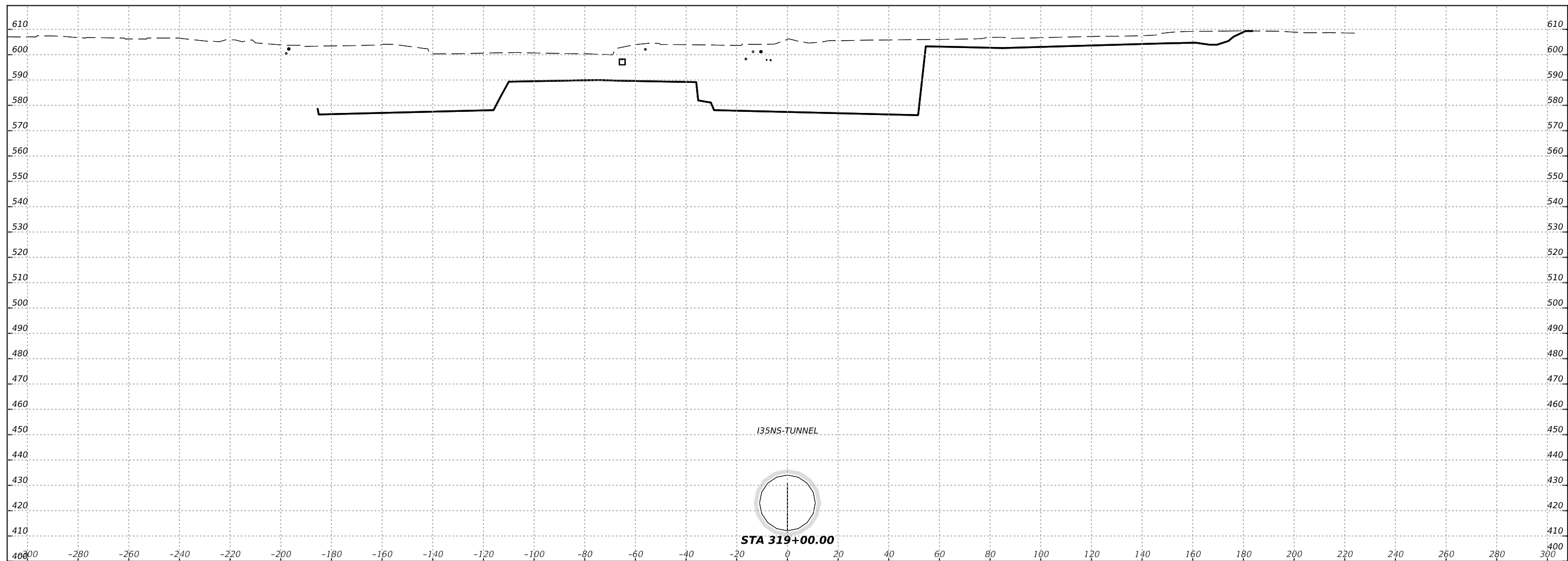
HDR Engineering, Inc.  
 Firm Registration No. F-754  
 710 Hester Crossing, Suite 150  
 Round Rock, Texas 78681



CAPITAL EXPRESS CENTRAL  
 I-35 TUNNEL  
 STA 318+50.00

SCALE: HORIZ: 1"=40'  
 VERT: 1"=40'

CONT	SECT	JOB	HIGHWAY
0015	13	433, ETC.	I-35
DIST	COUNTY		SHEET NO.
AUS	TRAVIS		566



NO.	DATE	REVISION	APPR BY



HDR Engineering, Inc.  
 Firm Registration No. F-754  
 710 Hester Crossing, Suite 150  
 Round Rock, Texas 78681

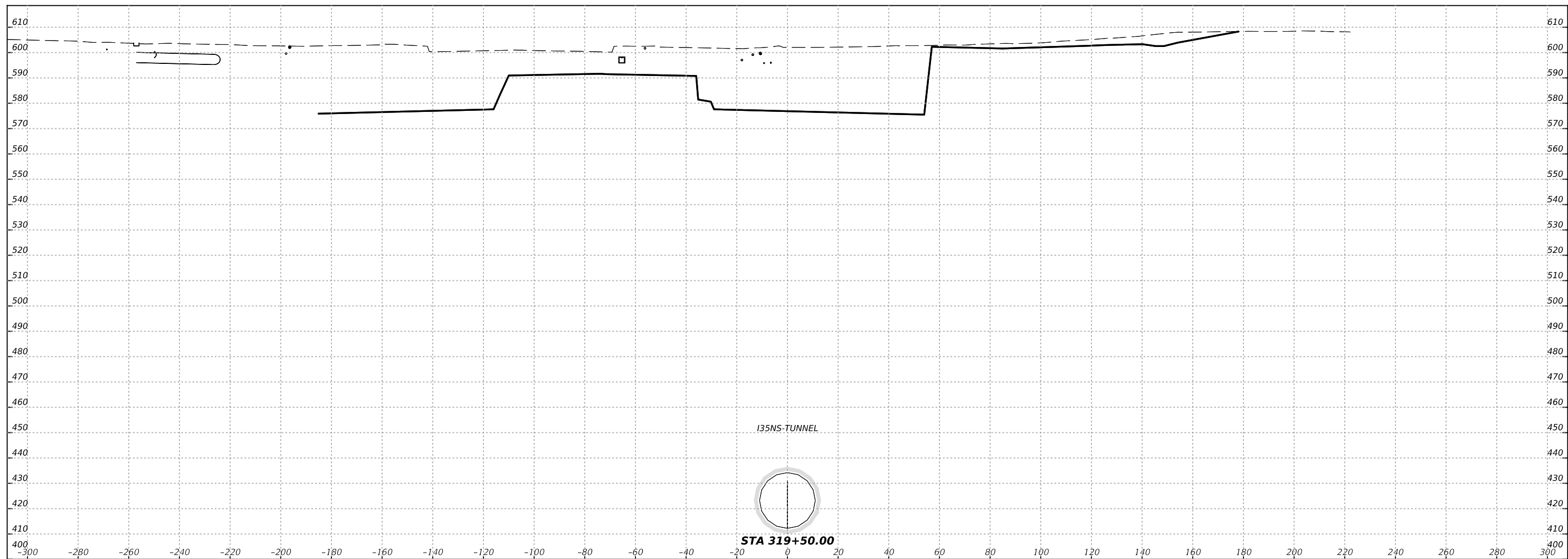


CAPITAL EXPRESS CENTRAL  
 I-35 TUNNEL  
 STA 319+00.00

SCALE: HORIZ: 1"=40'  
 VERT: 1"=40'

CONT	SECT	JOB	HIGHWAY
0015	13	433, ETC.	I-35
DIST	COUNTY		SHEET NO.
AUS	TRAVIS		567





NO.	DATE	REVISION	APPR BY



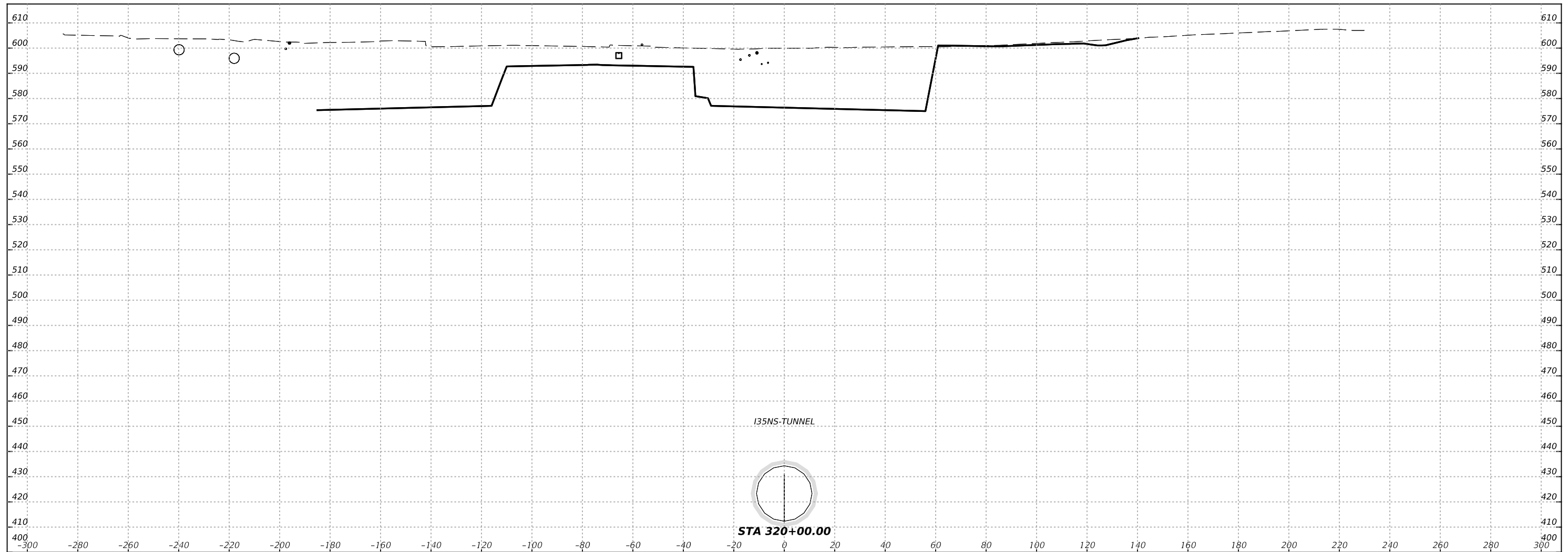
HDR Engineering, Inc.  
 Firm Registration No. F-754  
 710 Hester Crossing, Suite 150  
 Round Rock, Texas 78681



CAPITAL EXPRESS CENTRAL  
 I-35 TUNNEL  
 STA 319+50.00

SCALE: HORIZ: 1"=40'  
 VERT: 1"=40'

CONT	SECT	JOB	HIGHWAY
0015	13	433, ETC.	I-35
DIST	COUNTY		SHEET NO.
AUS	TRAVIS		568



NO.	DATE	REVISION	APPR BY



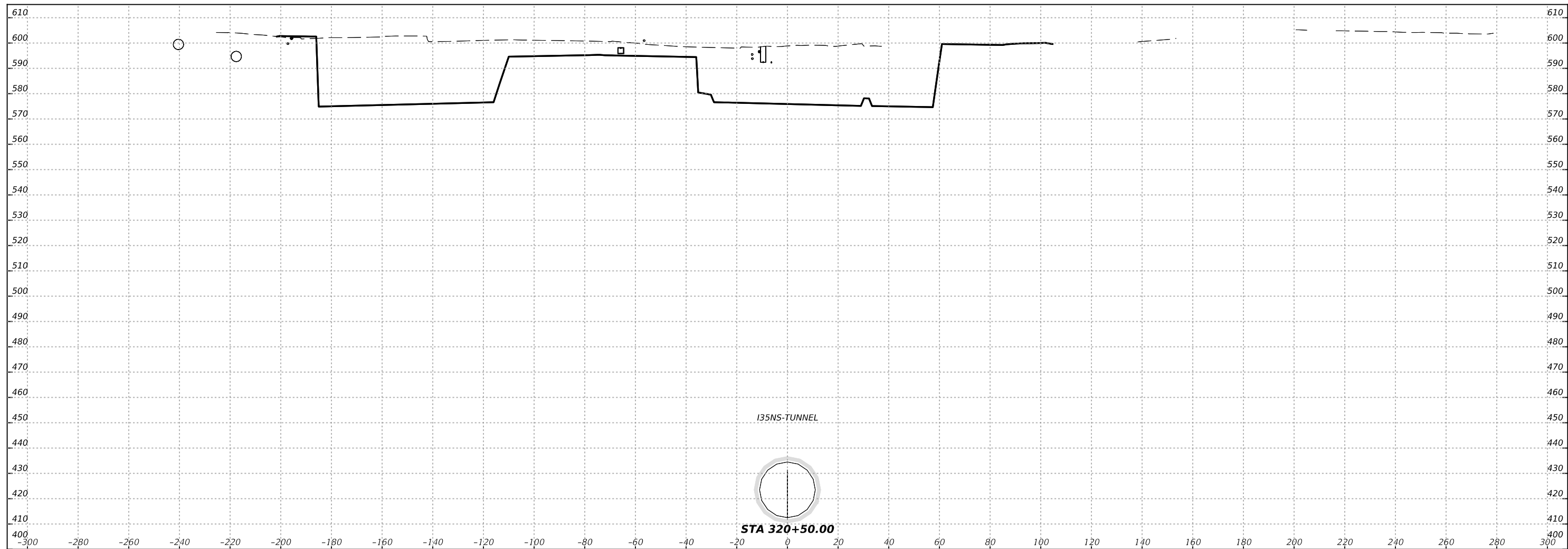
HDR Engineering, Inc.  
 Firm Registration No. F-754  
 710 Hester Crossing, Suite 150  
 Round Rock, Texas 78681



CAPITAL EXPRESS CENTRAL  
 I-35 TUNNEL  
 STA 320+00.00

SCALE: HORIZ: 1"=40'  
 VERT: 1"=40'

CONT	SECT	JOB	HIGHWAY
0015	13	433, ETC.	I-35
DIST	COUNTY		SHEET NO.
AUS	TRAVIS		569



NO.	DATE	REVISION	APPR BY



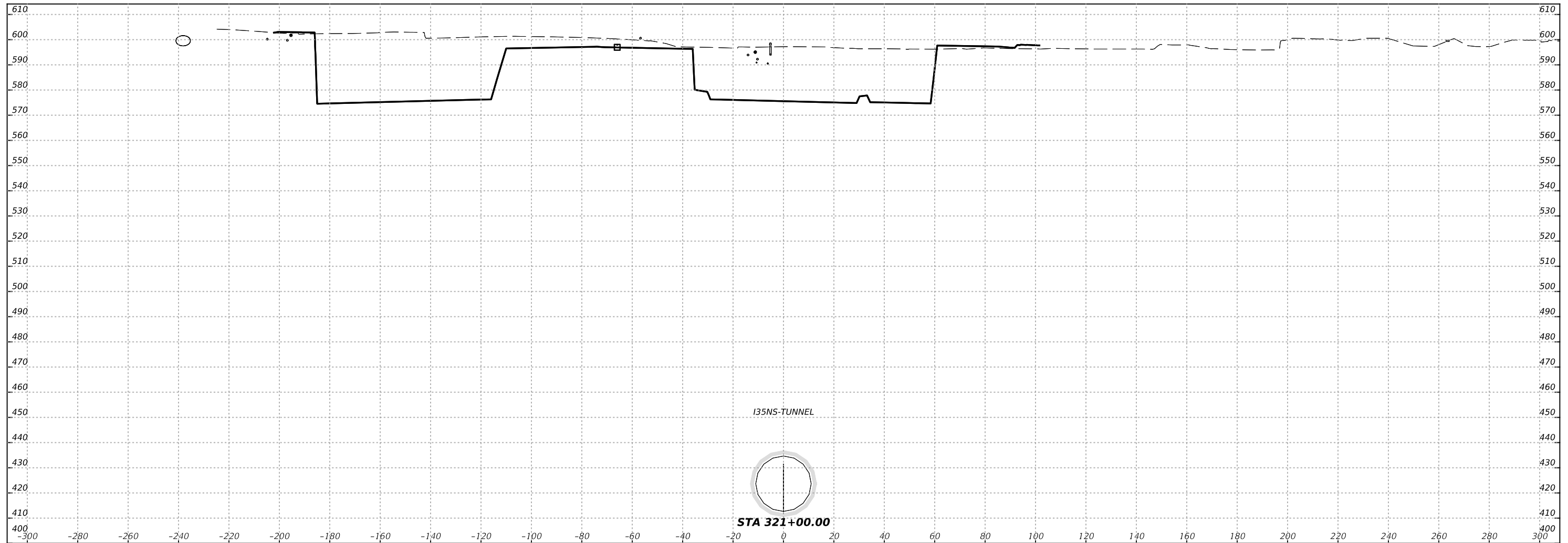
HDR Engineering, Inc.  
 Firm Registration No. F-754  
 710 Hester Crossing, Suite 150  
 Round Rock, Texas 78681



CAPITAL EXPRESS CENTRAL  
 I-35 TUNNEL  
 STA 320+50.00

SCALE: HORIZ: 1"=40'  
 VERT: 1"=40'

CONT	SECT	JOB	HIGHWAY
0015	13	433, ETC.	I-35
DIST	COUNTY		SHEET NO.
AUS	TRAVIS		570



NO.	DATE	REVISION	APPR BY



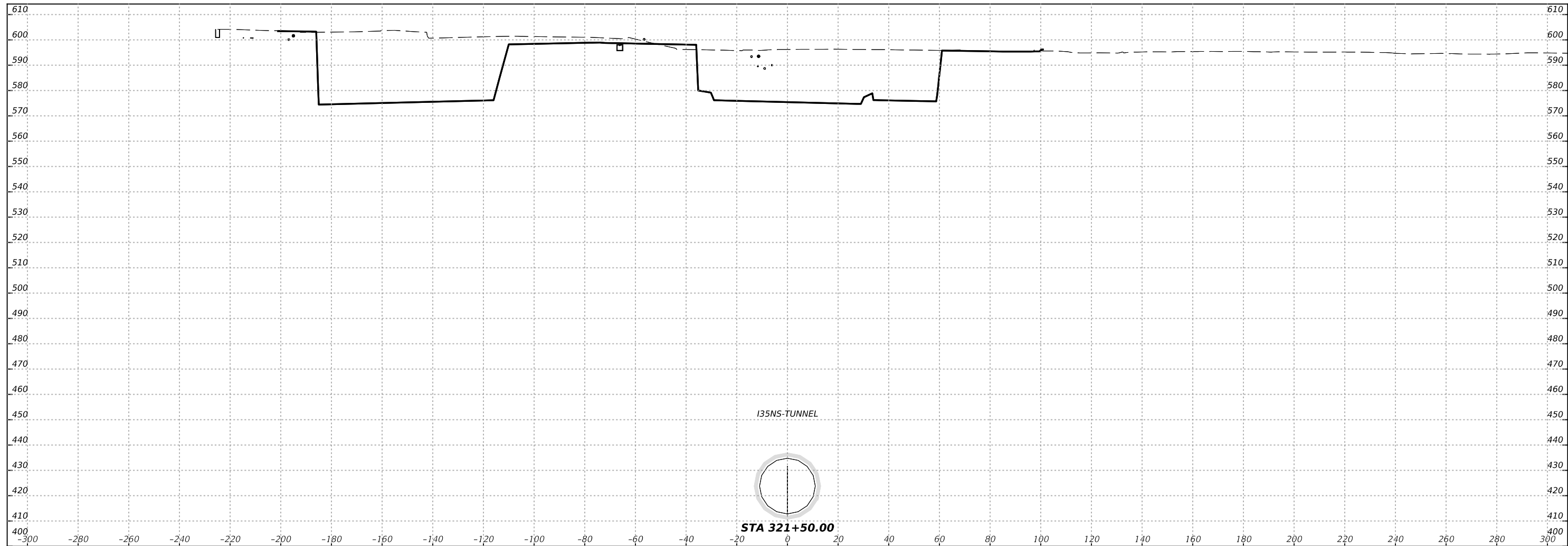
HDR Engineering, Inc.  
 Firm Registration No. F-754  
 710 Hester Crossing, Suite 150  
 Round Rock, Texas 78681



CAPITAL EXPRESS CENTRAL  
 I-35 TUNNEL  
 STA 321+00.00

SCALE: HORIZ: 1"=40'  
 VERT: 1"=40'

CONT	SECT	JOB	HIGHWAY
0015	13	433, ETC.	I-35
DIST			SHEET NO.
AUS	TRAVIS		571



NO.	DATE	REVISION	APPR BY



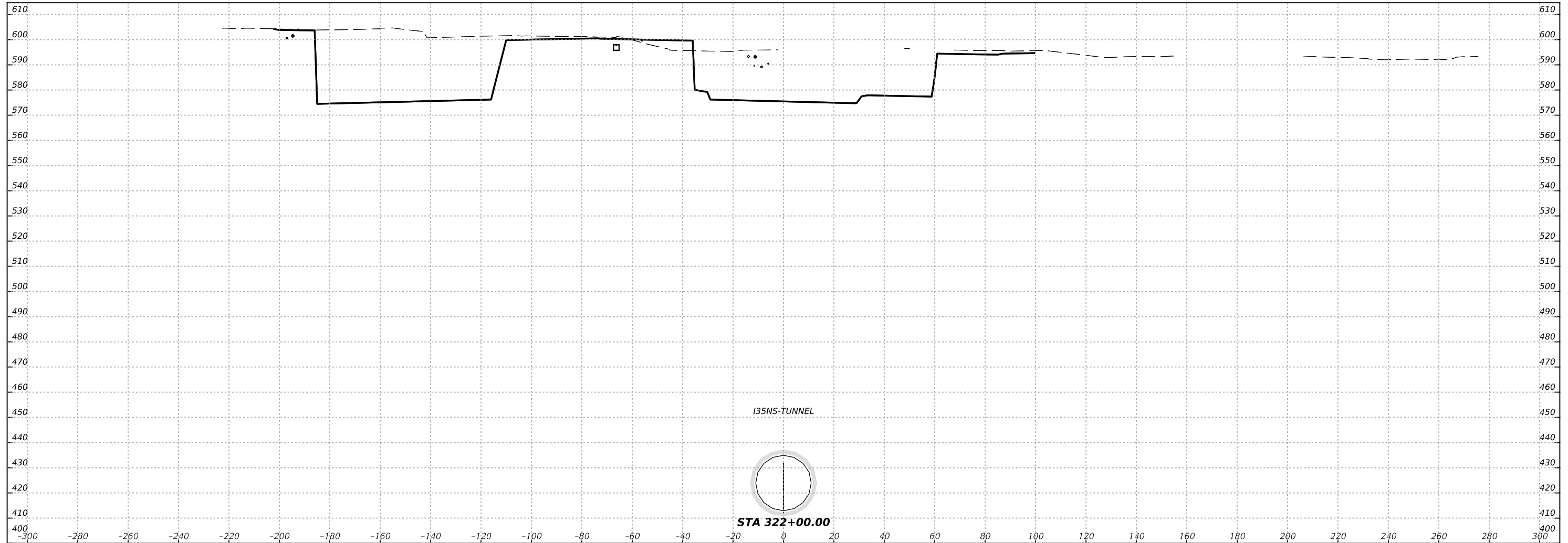
HDR Engineering, Inc.  
 Firm Registration No. F-754  
 710 Hester Crossing, Suite 150  
 Round Rock, Texas 78681



CAPITAL EXPRESS CENTRAL  
 I-35 TUNNEL  
 STA 321+50.00

SCALE: HORIZ: 1"=40'  
 VERT: 1"=40'

CONT	SECT	JOB	HIGHWAY
0015	13	433, ETC.	I-35
DIST	COUNTY		SHEET NO.
AUS	TRAVIS		572



NO.	DATE	REVISION	APPR BY



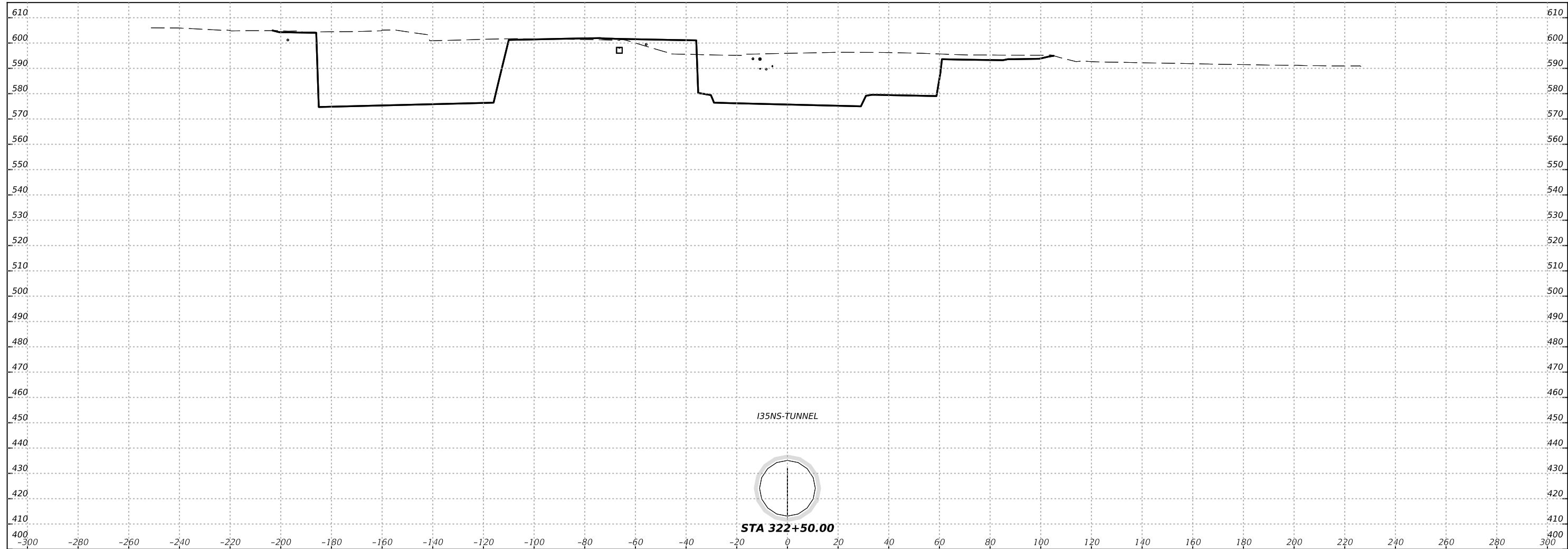
HDR Engineering, Inc.  
 Firm Registration No. F-754  
 710 Hester Crossing, Suite 150  
 Round Rock, Texas 78681



CAPITAL EXPRESS CENTRAL  
 I-35 TUNNEL  
 STA 322+00.00

SCALE: HORIZ: 1"=40'  
 VERT: 1"=40'

CONT	SECT	JOB	HIGHWAY
0015	13	433, ETC.	I-35
DIST	COUNTY		SHEET NO.
AUS	TRAVIS		573



NO.	DATE	REVISION	APPR BY



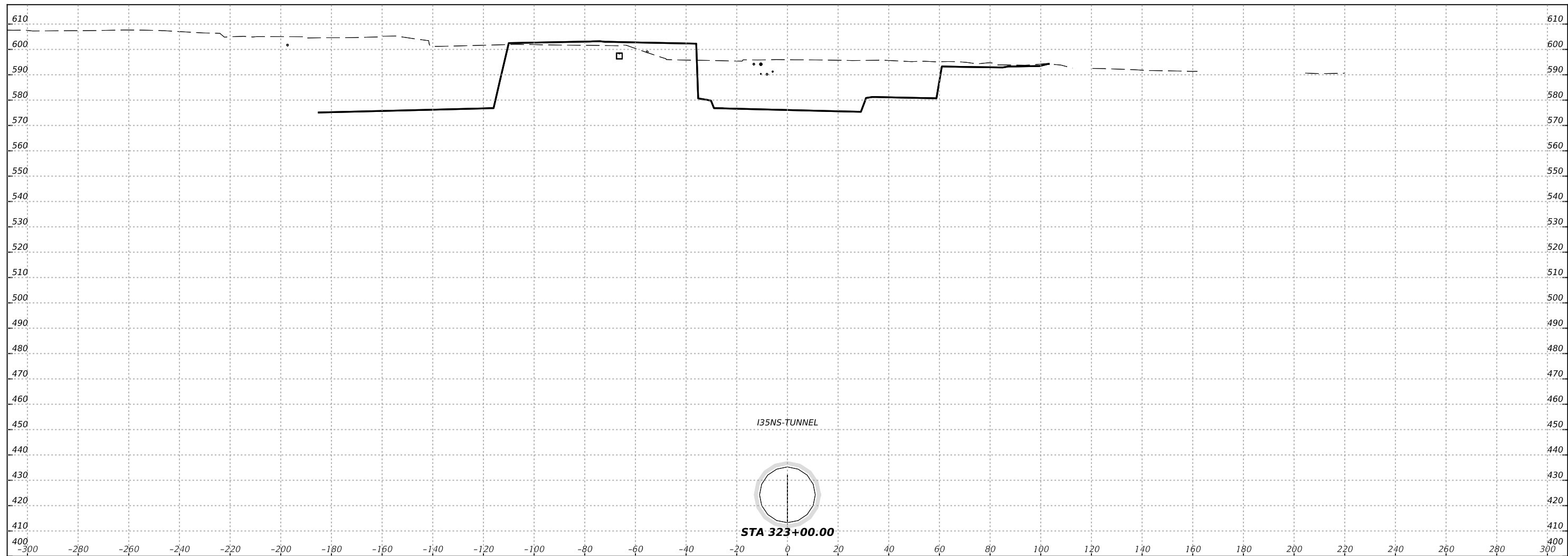
HDR Engineering, Inc.  
 Firm Registration No. F-754  
 710 Hester Crossing, Suite 150  
 Round Rock, Texas 78681



CAPITAL EXPRESS CENTRAL  
 I-35 TUNNEL  
 STA 322+50.00

SCALE: HORIZ: 1"=40'  
 VERT: 1"=40'

CONT	SECT	JOB	HIGHWAY
0015	13	433, ETC.	I-35
DIST	COUNTY		SHEET NO.
AUS	TRAVIS		574



NO.	DATE	REVISION	APPR BY



HDR Engineering, Inc.  
 Firm Registration No. F-754  
 710 Hester Crossing, Suite 150  
 Round Rock, Texas 78681

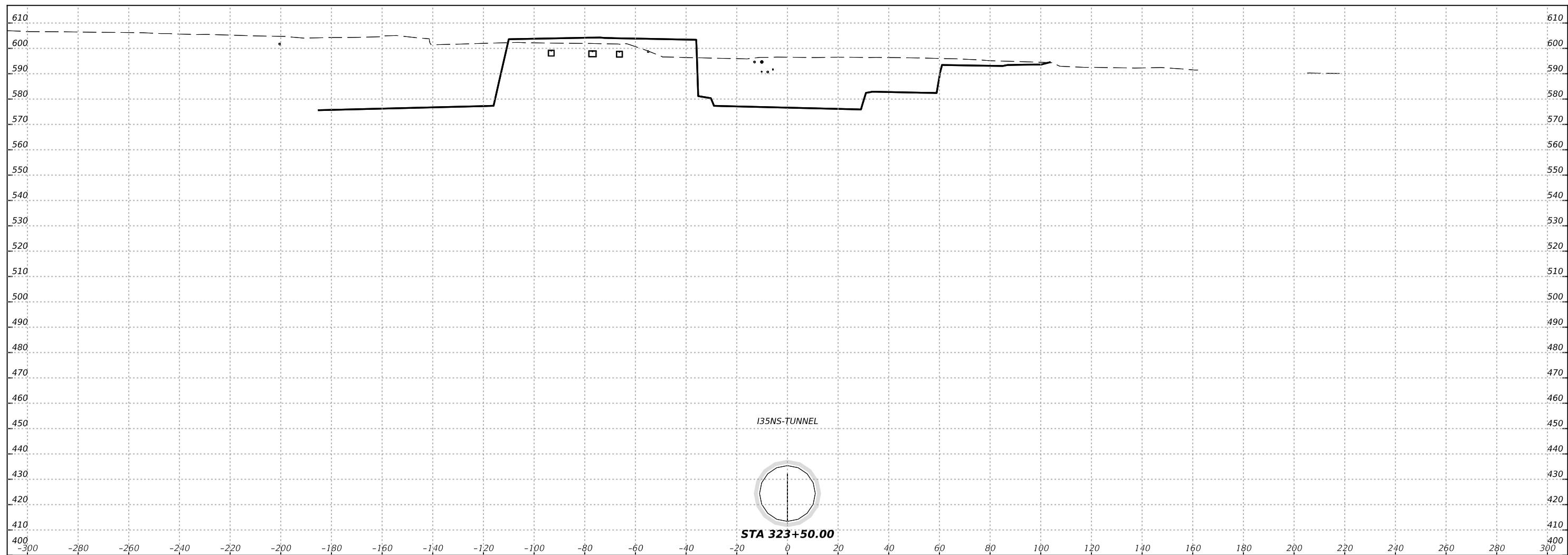


CAPITAL EXPRESS CENTRAL  
 I-35 TUNNEL  
 STA 323+00.00

SCALE: HORIZ: 1"=40'  
 VERT: 1"=40'

CONT	SECT	JOB	HIGHWAY
0015	13	433, ETC.	I-35
DIST	COUNTY		SHEET NO.
AUS	TRAVIS		575





NO.	DATE	REVISION	APPR BY



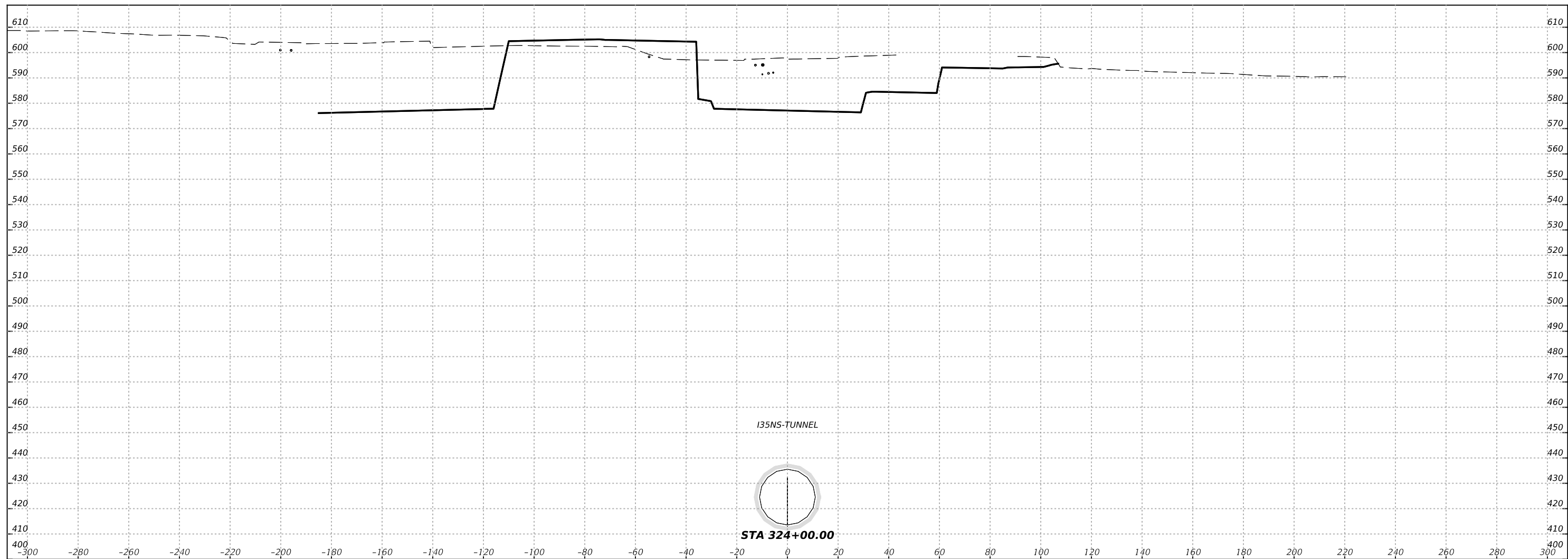
HDR Engineering, Inc.  
 Firm Registration No. F-754  
 710 Hester Crossing, Suite 150  
 Round Rock, Texas 78681



CAPITAL EXPRESS CENTRAL  
 I-35 TUNNEL  
 STA 323+50.00

SCALE: HORIZ: 1"=40'  
 VERT: 1"=40'

CONT	SECT	JOB	HIGHWAY
0015	13	433, ETC.	I-35
DIST	COUNTY		SHEET NO.
AUS	TRAVIS		576



NO.	DATE	REVISION	APPR BY



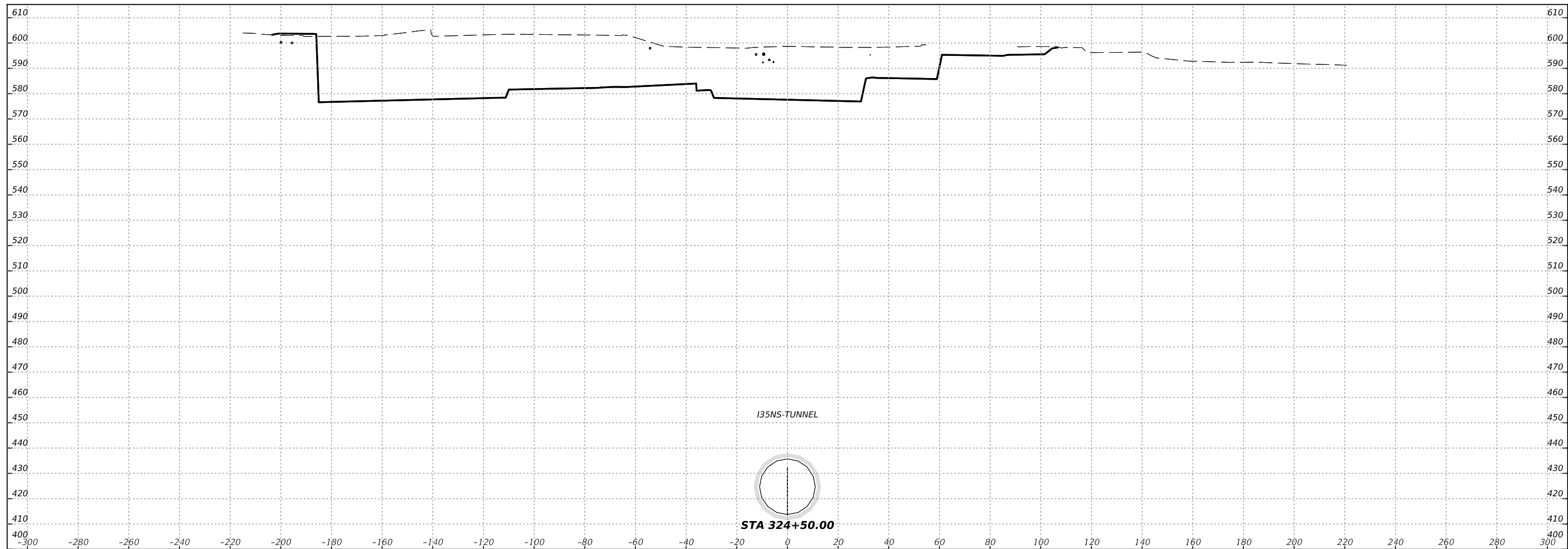
HDR Engineering, Inc.  
 Firm Registration No. F-754  
 710 Hester Crossing, Suite 150  
 Round Rock, Texas 78681



CAPITAL EXPRESS CENTRAL  
 I-35 TUNNEL  
 STA 324+00.00

SCALE: HORIZ: 1"=40'  
 VERT: 1"=40'

CONT	SECT	JOB	HIGHWAY
0015	13	433, ETC.	I-35
DIST	COUNTY		SHEET NO.
AUS	TRAVIS		577



NO.	DATE	REVISION	APPR BY



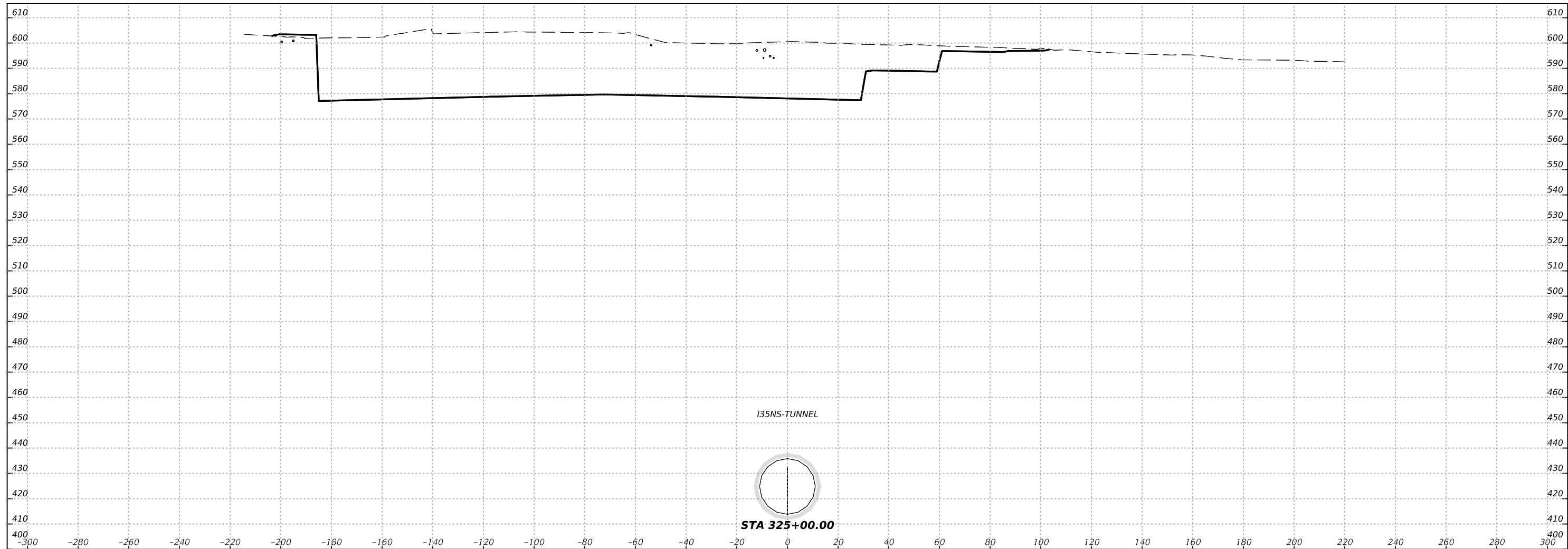
HDR Engineering, Inc.  
 Firm Registration No. F-754  
 710 Hester Crossing, Suite 150  
 Round Rock, Texas 78681



CAPITAL EXPRESS CENTRAL  
 I-35 TUNNEL  
 STA 324+50.00

SCALE: HORIZ: 1"=40'  
 VERT: 1"=40'

CONT	SECT	JOB	HIGHWAY
0015	13	433, ETC.	I-35
DIST	COUNTY		SHEET NO.
AUS	TRAVIS		578



NO.	DATE	REVISION	APPR BY



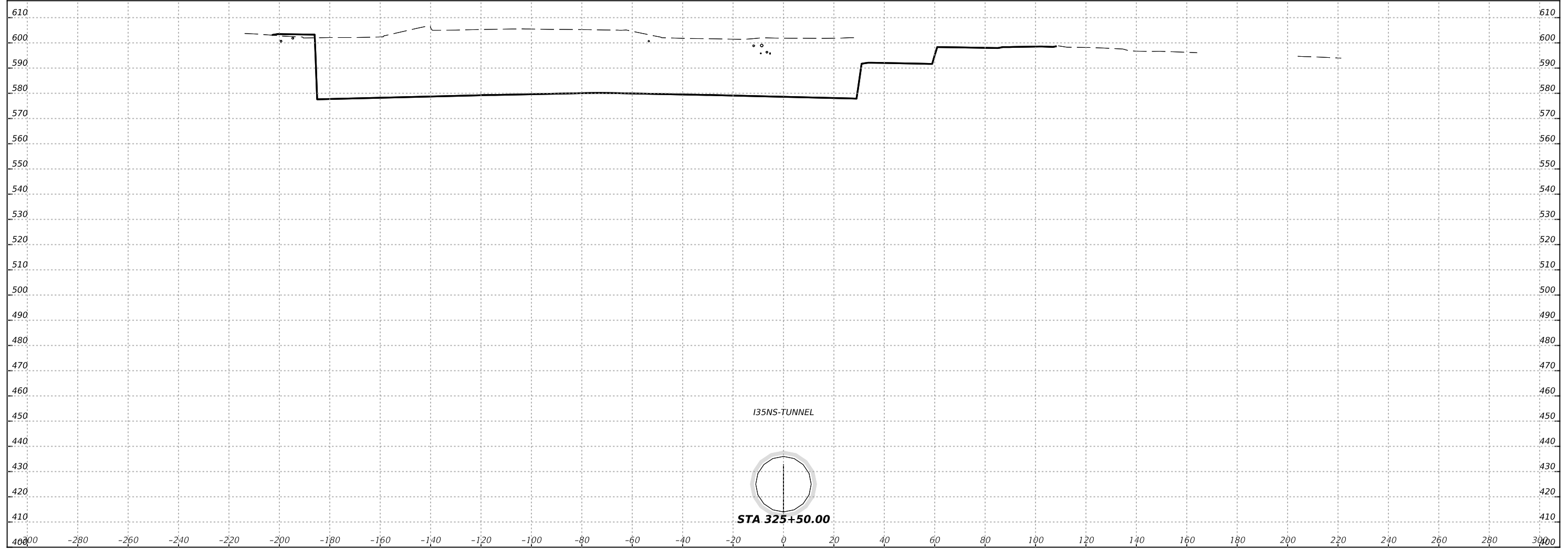
HDR Engineering, Inc.  
 Firm Registration No. F-754  
 710 Hester Crossing, Suite 150  
 Round Rock, Texas 78681



CAPITAL EXPRESS CENTRAL  
 I-35 TUNNEL  
 STA 325+00.00

SCALE: HORIZ: 1"=40'  
 VERT: 1"=40'

CONT	SECT	JOB	HIGHWAY
0015	13	433, ETC.	I-35
DIST			COUNTY
AUS			TRAVIS
SHEET NO.			579



NO.	DATE	REVISION	APPR BY



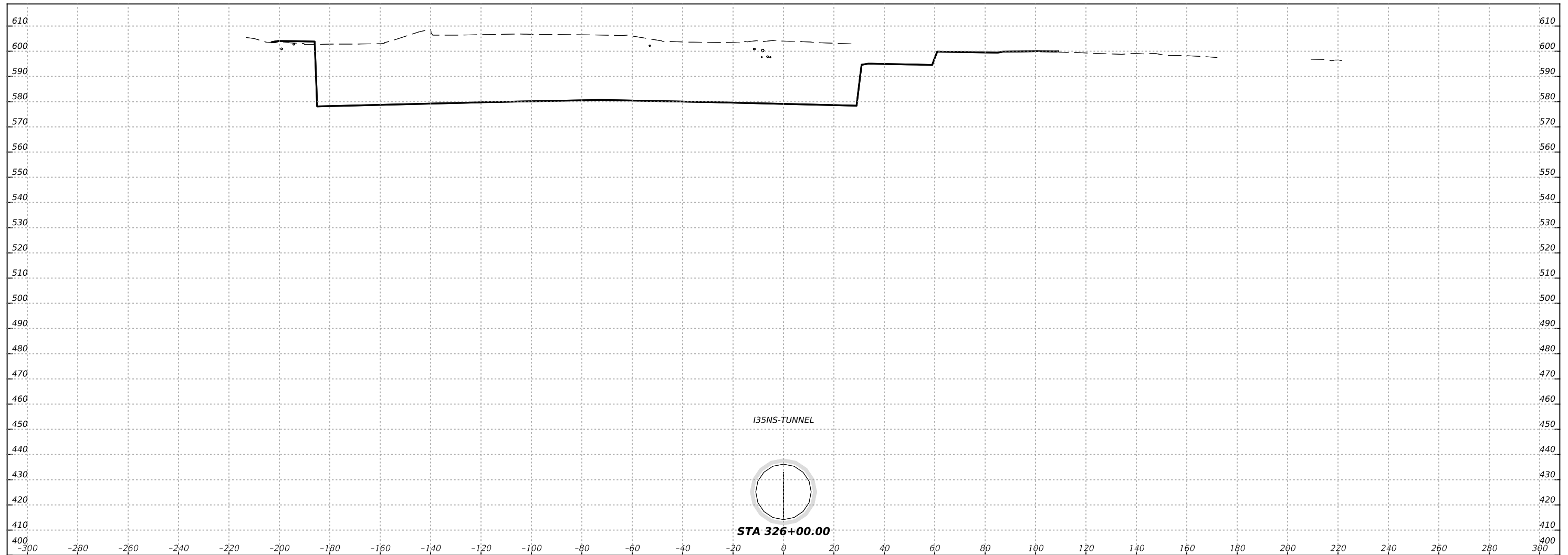
HDR Engineering, Inc.  
 Firm Registration No. F-754  
 710 Hester Crossing, Suite 150  
 Round Rock, Texas 78681



CAPITAL EXPRESS CENTRAL  
 I-35 TUNNEL  
 STA 325+50.00

SCALE: HORIZ: 1"=40'  
 VERT: 1"=40'

CONT	SECT	JOB	HIGHWAY
0015	13	433, ETC.	I-35
DIST	COUNTY	SHEET NO.	
AUS	TRAVIS	580	



NO.	DATE	REVISION	APPR BY



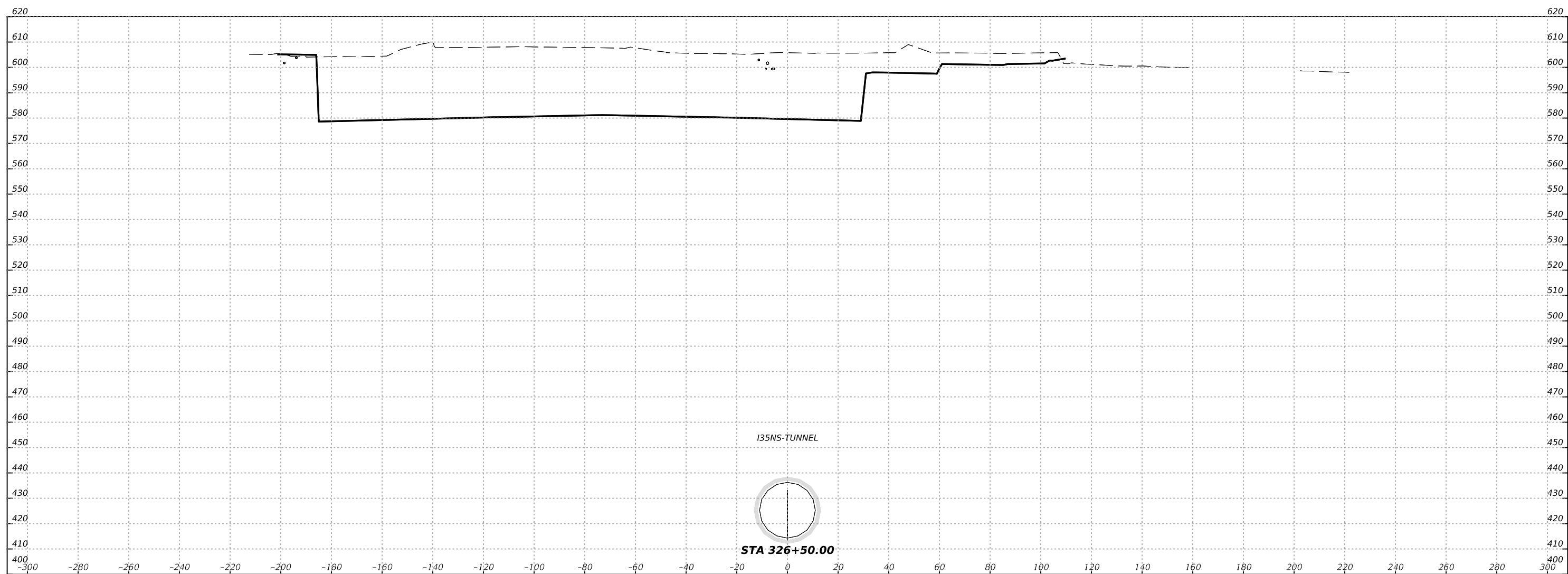
HDR Engineering, Inc.  
 Firm Registration No. F-754  
 710 Hester Crossing, Suite 150  
 Round Rock, Texas 78681



CAPITAL EXPRESS CENTRAL  
 I-35 TUNNEL  
 STA 326+00.00

SCALE: HORIZ: 1"=40'  
 VERT: 1"=40'

CONT	SECT	JOB	HIGHWAY
0015	13	433, ETC.	I-35
DIST	COUNTY		SHEET NO.
AUS	TRAVIS		581



NO.	DATE	REVISION	APPR BY



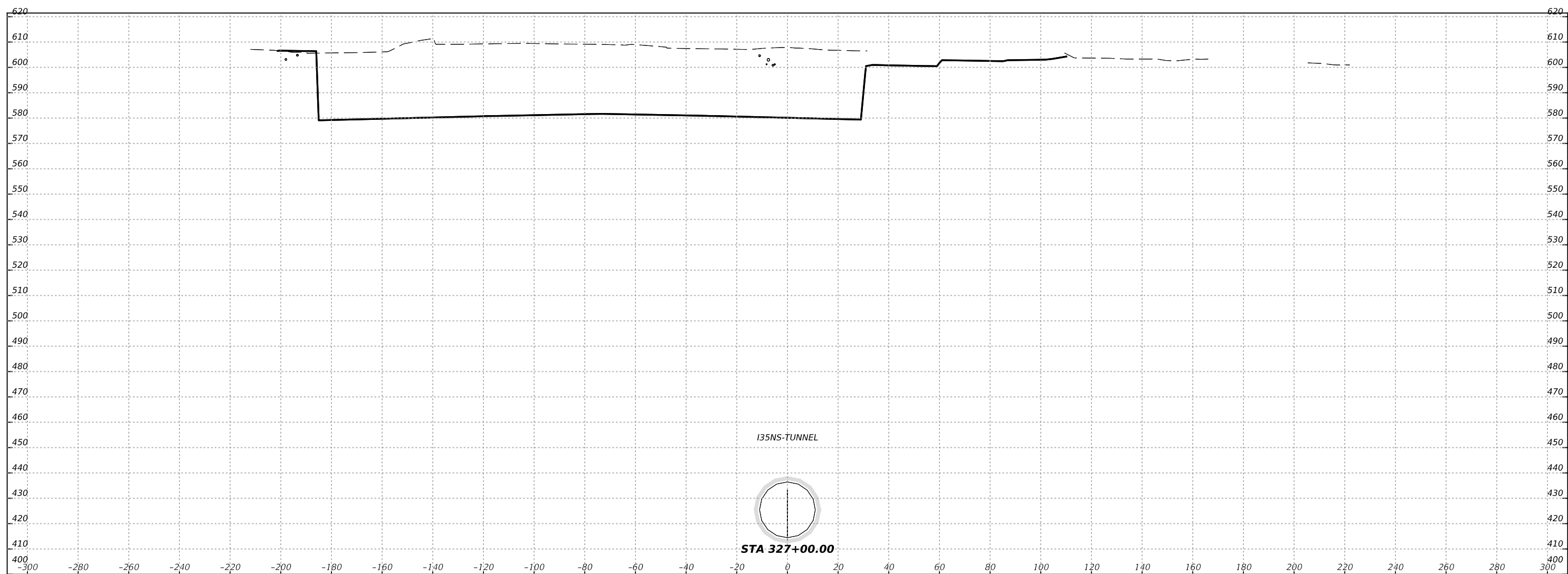
HDR Engineering, Inc.  
 Firm Registration No. F-754  
 710 Hester Crossing, Suite 150  
 Round Rock, Texas 78681



CAPITAL EXPRESS CENTRAL  
 I-35 TUNNEL  
 STA 326+50.00

SCALE: HORIZ: 1"=40'  
 VERT: 1"=40'

CONT	SECT	JOB	HIGHWAY
0015	13	433, ETC.	I-35
DIST	COUNTY	SHEET NO.	
AUS	TRAVIS	582	



NO.	DATE	REVISION	APPR BY



HDR Engineering, Inc.  
 Firm Registration No. F-754  
 710 Hester Crossing, Suite 150  
 Round Rock, Texas 78681

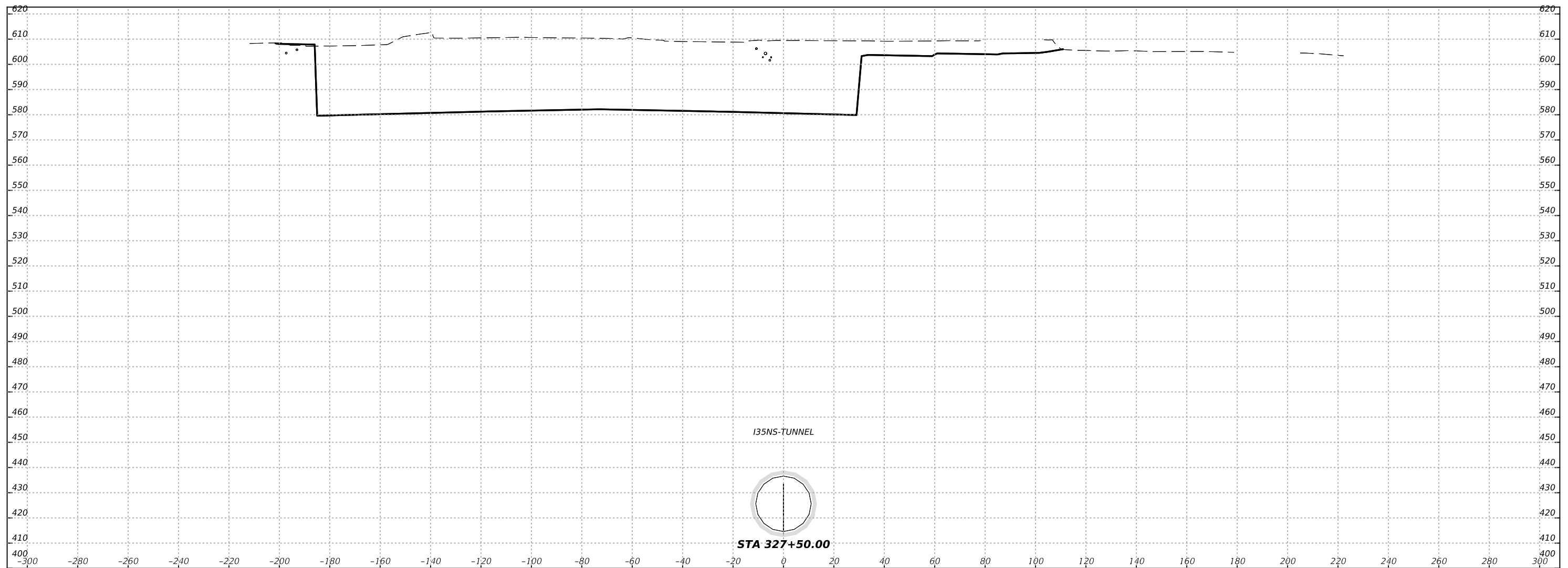


CAPITAL EXPRESS CENTRAL  
 I-35 TUNNEL  
 STA 327+00.00

SCALE: HORIZ: 1"=40'  
 VERT: 1"=40'

CONT	SECT	JOB	HIGHWAY
0015	13	433, ETC.	I-35
DIST			SHEET NO.
AUS	TRAVIS		583





NO.	DATE	REVISION	APPR BY



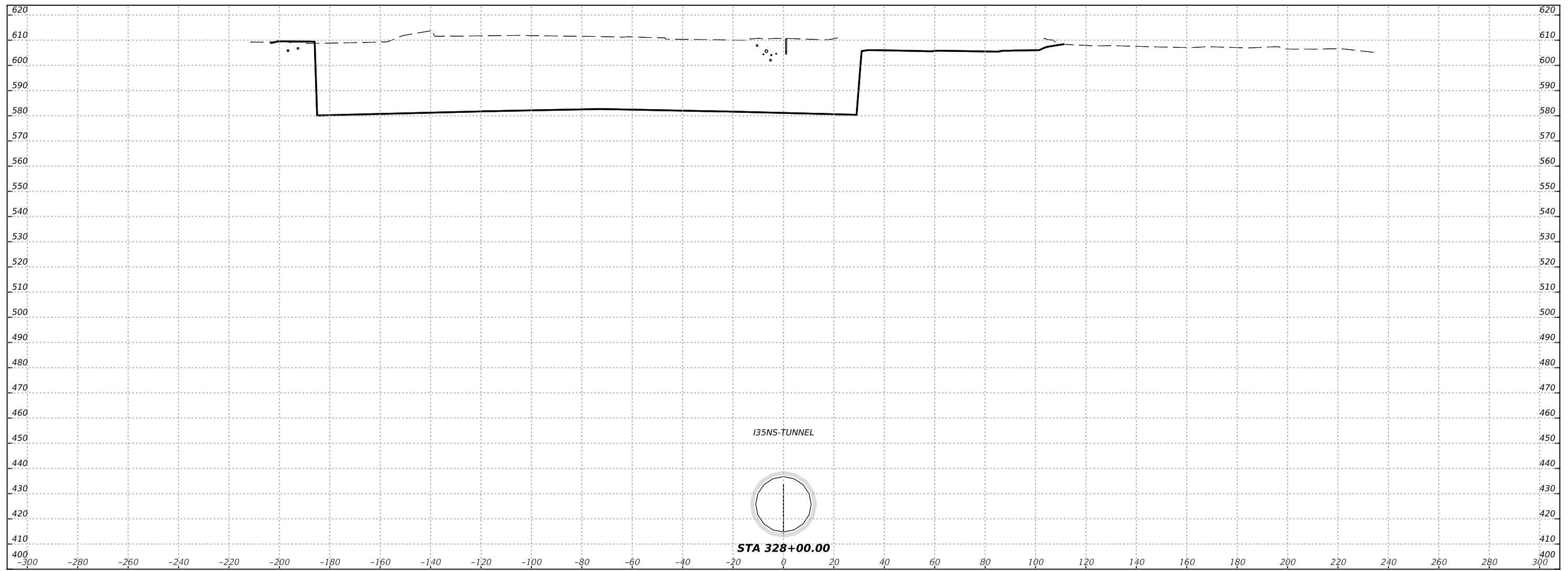
HDR Engineering, Inc.  
 Firm Registration No. F-754  
 710 Hester Crossing, Suite 150  
 Round Rock, Texas 78681



CAPITAL EXPRESS CENTRAL  
 I-35 TUNNEL  
 STA 327+50.00

SCALE: HORIZ: 1"=40'  
 VERT: 1"=40'

CONT	SECT	JOB	HIGHWAY
0015	13	433, ETC.	I-35
DIST	COUNTY		SHEET NO.
AUS	TRAVIS		584



NO.	DATE	REVISION	APPR BY



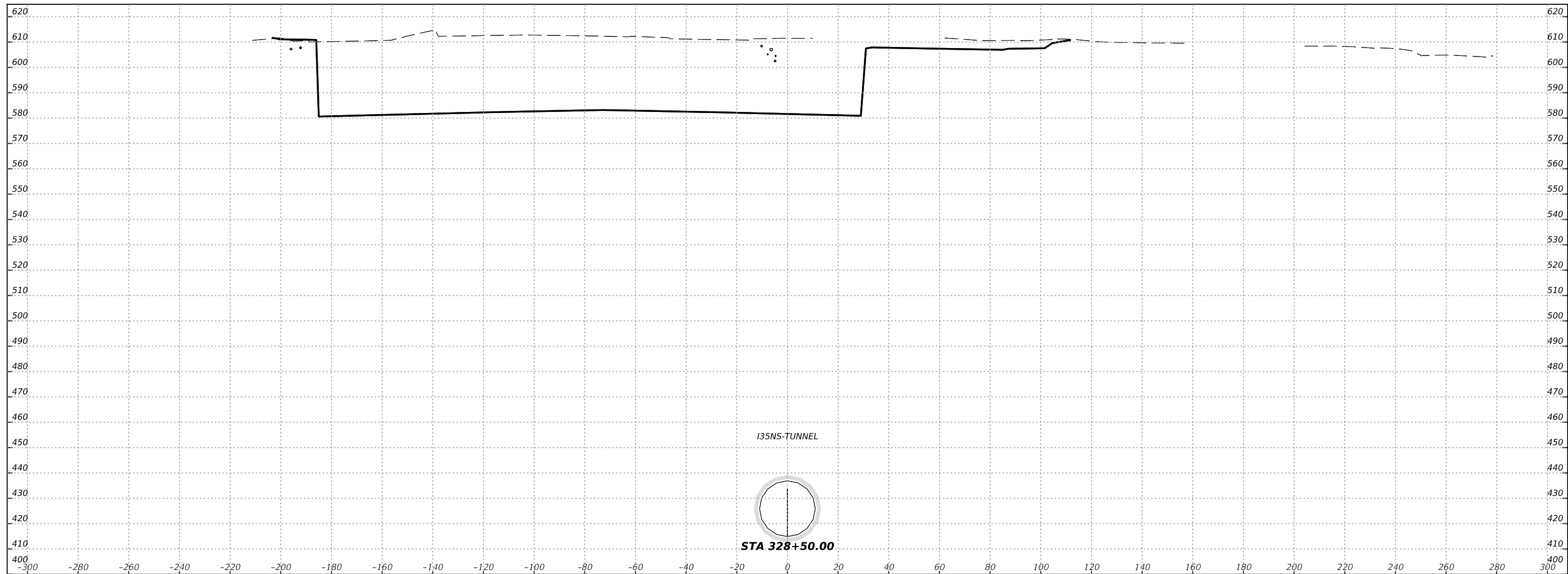
HDR Engineering, Inc.  
 Firm Registration No. F-754  
 710 Hester Crossing, Suite 150  
 Round Rock, Texas 78681



CAPITAL EXPRESS CENTRAL  
 I-35 TUNNEL  
 STA 328+00.00

SCALE: HORIZ: 1"=40'  
 VERT: 1"=40'

CONT	SECT	JOB	HIGHWAY
0015	13	433, ETC.	I-35
DIST	COUNTY		SHEET NO.
AUS	TRAVIS		585



NO.	DATE	REVISION	APPR BY



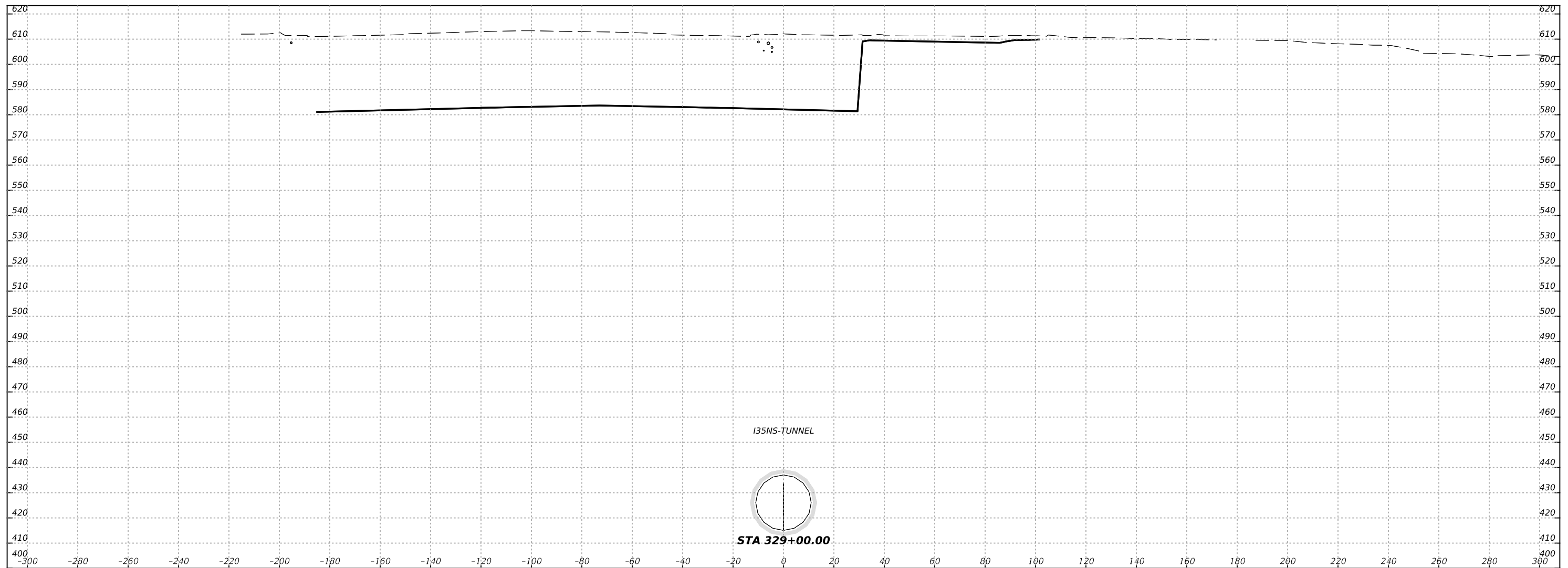
HDR Engineering, Inc.  
 Firm Registration No. F-754  
 710 Hester Crossing, Suite 150  
 Round Rock, Texas 78681



CAPITAL EXPRESS CENTRAL  
 I-35 TUNNEL  
 STA 328+50.00

SCALE: HORIZ: 1"=40'  
 VERT: 1"=40'

CONT	SECT	JOB	HIGHWAY
0015	13	433, ETC.	I-35
DIST	COUNTY		SHEET NO.
AUS	TRAVIS		586



I35NS-TUNNEL

STA 329+00.00

NO.	DATE	REVISION	APPR BY



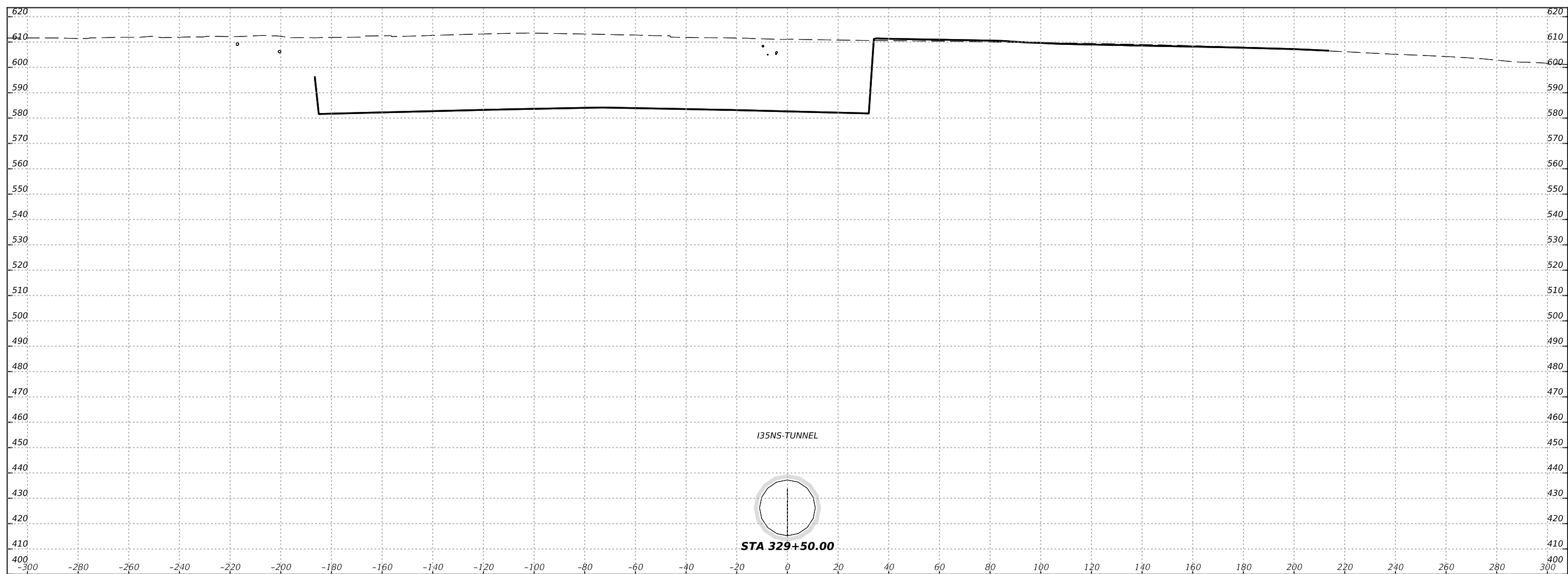
HDR Engineering, Inc.  
 Firm Registration No. F-754  
 710 Hester Crossing, Suite 150  
 Round Rock, Texas 78681



CAPITAL EXPRESS CENTRAL  
 I-35 TUNNEL  
 STA 329+00.00

SCALE: HORIZ: 1"=40'  
 VERT: 1"=40'

CONT	SECT	JOB	HIGHWAY
0015	13	433, ETC.	I-35
DIST	COUNTY		SHEET NO.
AUS	TRAVIS		587



NO.	DATE	REVISION	APPR BY



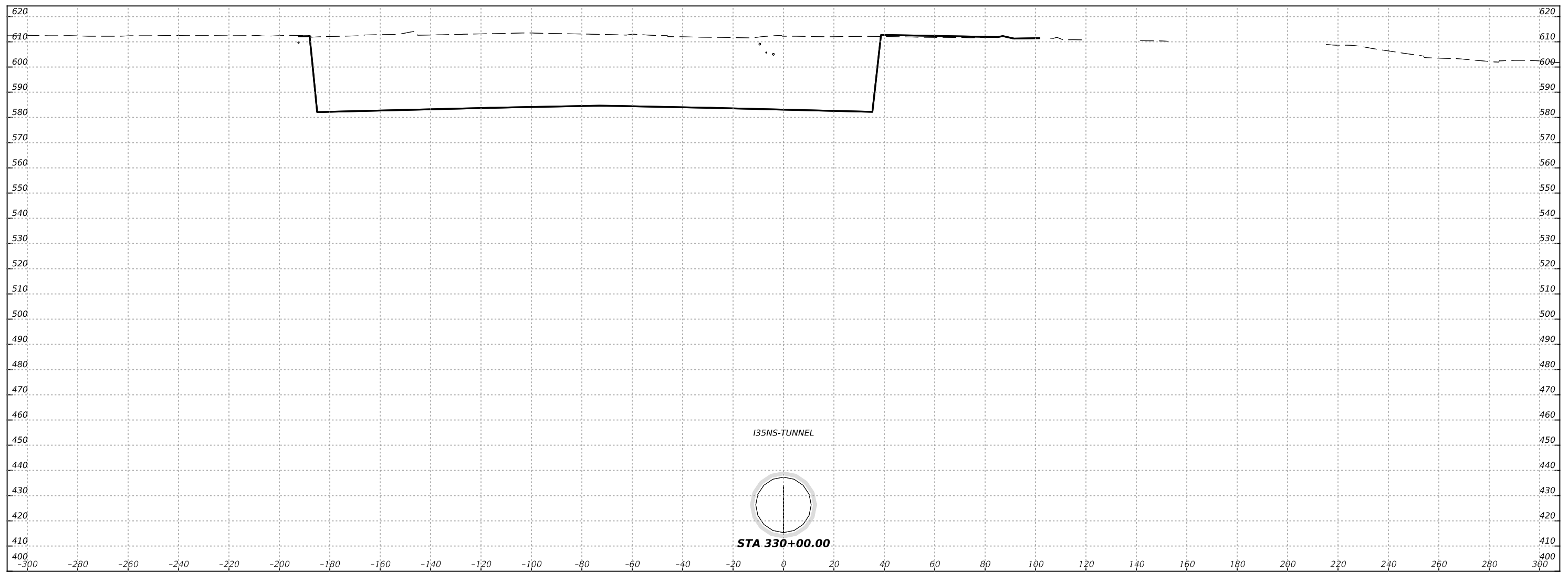
HDR Engineering, Inc.  
 Firm Registration No. F-754  
 710 Hester Crossing, Suite 150  
 Round Rock, Texas 78681



CAPITAL EXPRESS CENTRAL  
 I-35 TUNNEL  
 STA 329+50.00

SCALE: HORIZ: 1"=40'  
 VERT: 1"=40'

CONT	SECT	JOB	HIGHWAY
0015	13	433, ETC.	I-35
DIST	COUNTY		SHEET NO.
AUS	TRAVIS		588



NO.	DATE	REVISION	APPR BY



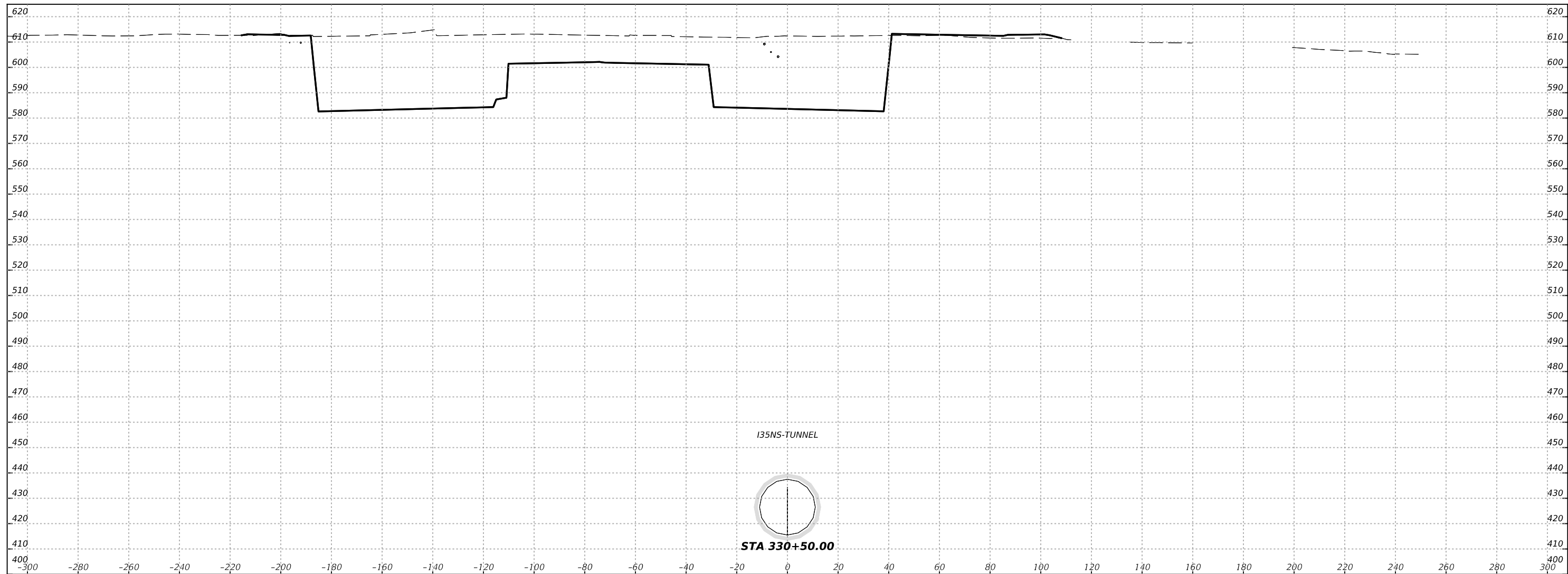
HDR Engineering, Inc.  
 Firm Registration No. F-754  
 710 Hester Crossing, Suite 150  
 Round Rock, Texas 78681



CAPITAL EXPRESS CENTRAL  
 I-35 TUNNEL  
 STA 330+00.00

SCALE: HORIZ: 1"=40'  
 VERT: 1"=40'

CONT	SECT	JOB	HIGHWAY
0015	13	433, ETC.	I-35
DIST	COUNTY		SHEET NO.
AUS	TRAVIS		589



NO.	DATE	REVISION	APPR BY



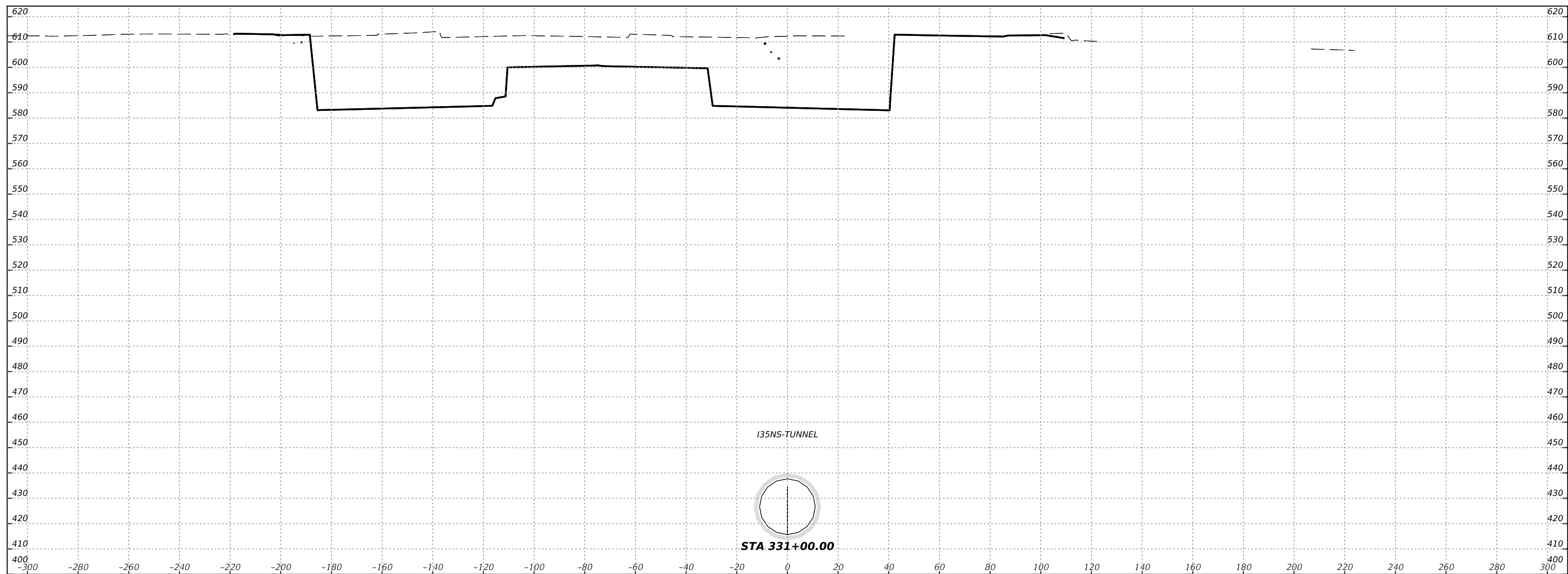
HDR Engineering, Inc.  
 Firm Registration No. F-754  
 710 Hester Crossing, Suite 150  
 Round Rock, Texas 78681



CAPITAL EXPRESS CENTRAL  
 I-35 TUNNEL  
 STA 330+50.00

SCALE: HORIZ: 1"=40'  
 VERT: 1"=40'

CONT	SECT	JOB	HIGHWAY
0015	13	433, ETC.	I-35
DIST	COUNTY	SHEET NO.	
AUS	TRAVIS	590	



NO.	DATE	REVISION	APPR BY



HDR Engineering, Inc.  
 Firm Registration No. F-754  
 710 Hester Crossing, Suite 150  
 Round Rock, Texas 78681

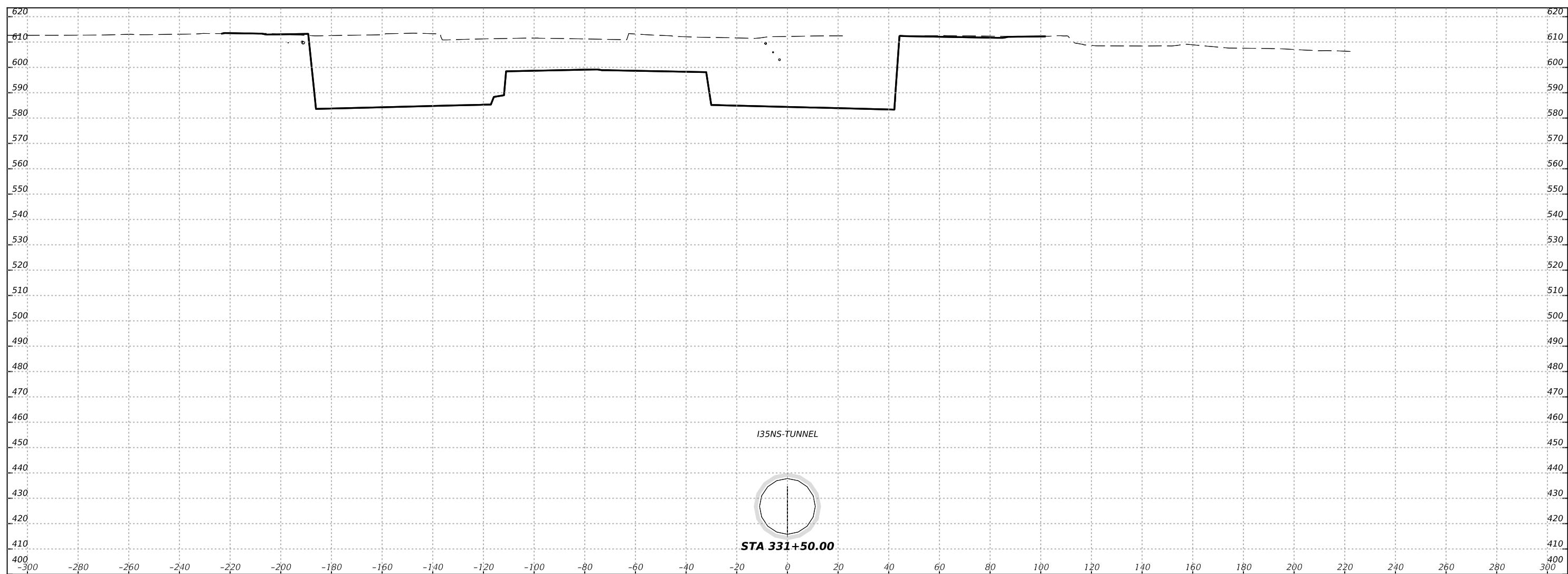


CAPITAL EXPRESS CENTRAL  
 I-35 TUNNEL  
 STA 331+00.00

SCALE: HORIZ: 1"=40'  
 VERT: 1"=40'

CONT	SECT	JOB	HIGHWAY
0015	13	433, ETC.	I-35
DIST	COUNTY		SHEET NO.
AUS	TRAVIS		591





NO.	DATE	REVISION	APPR BY



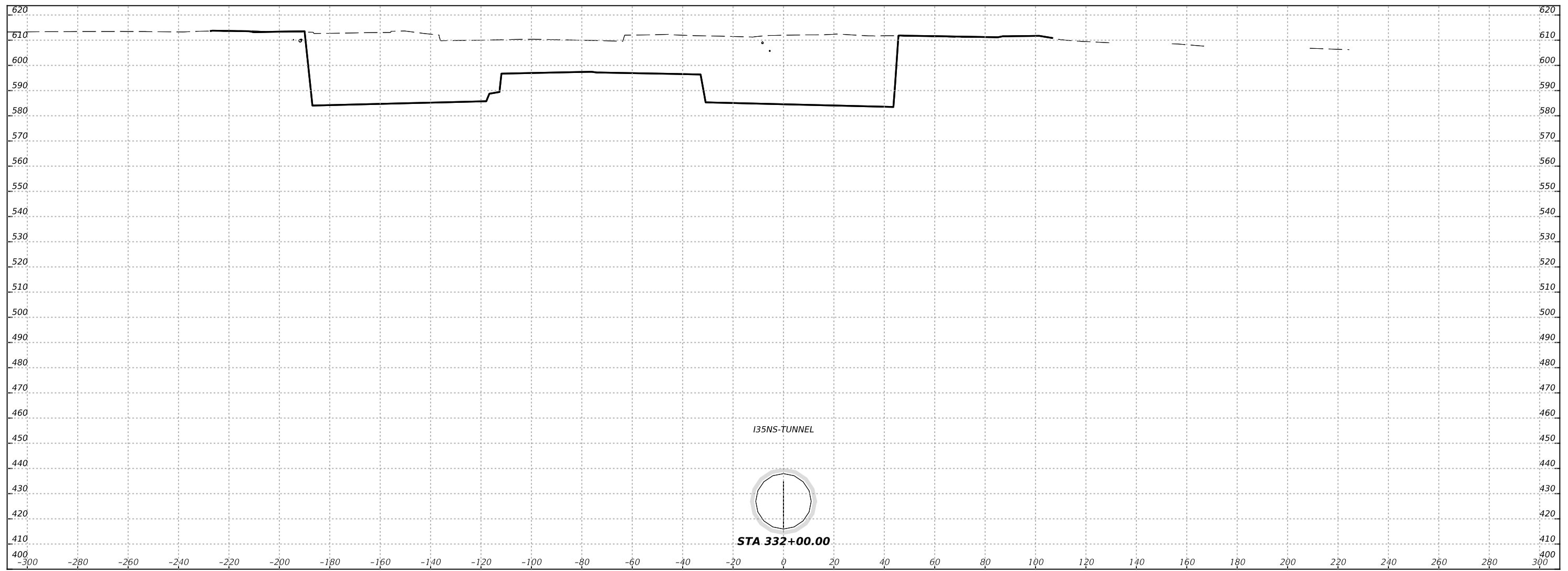
HDR Engineering, Inc.  
 Firm Registration No. F-754  
 710 Hester Crossing, Suite 150  
 Round Rock, Texas 78681



CAPITAL EXPRESS CENTRAL  
 I-35 TUNNEL  
 STA 331+50.00

SCALE: HORIZ: 1"=40'  
 VERT: 1"=40'

CONT	SECT	JOB	HIGHWAY
0015	13	433, ETC.	I-35
DIST			COUNTY
AUS			TRAVIS
SHEET NO.			592



NO.	DATE	REVISION	APPR BY



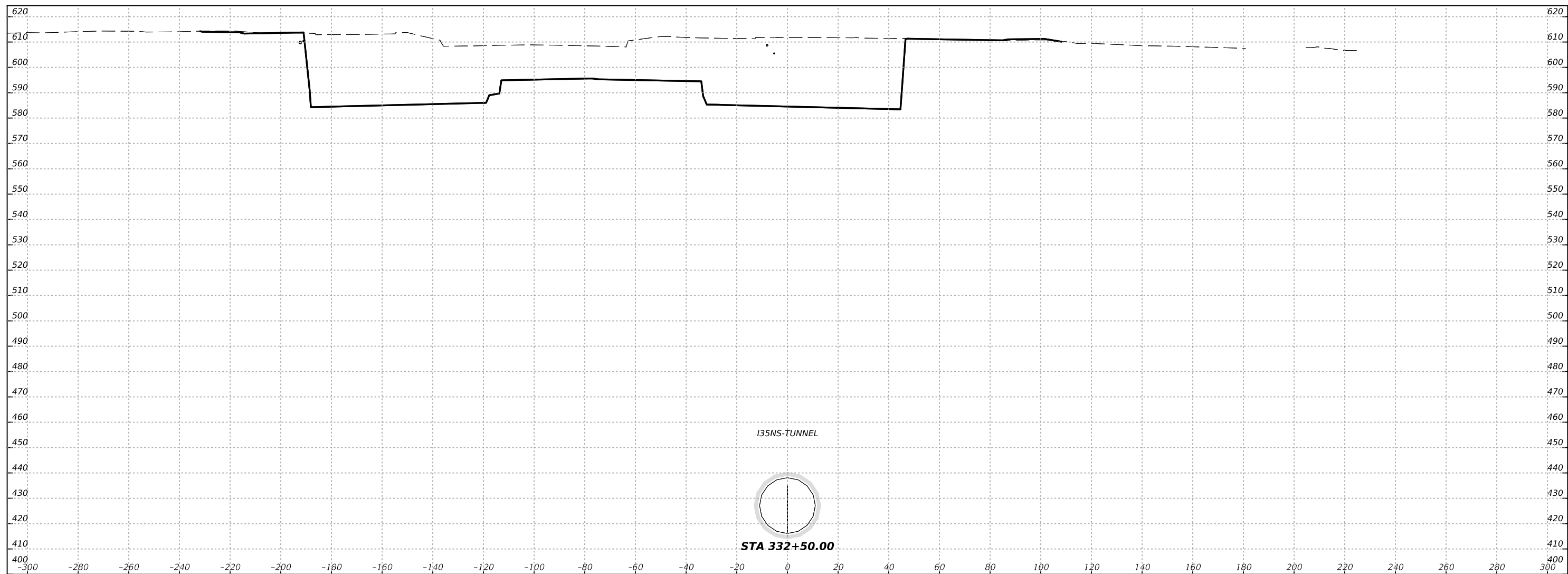
HDR Engineering, Inc.  
 Firm Registration No. F-754  
 710 Hester Crossing, Suite 150  
 Round Rock, Texas 78681



CAPITAL EXPRESS CENTRAL  
 I-35 TUNNEL  
 STA 332+00.00

SCALE: HORIZ: 1"=40'  
 VERT: 1"=40'

CONT	SECT	JOB	HIGHWAY
0015	13	433, ETC.	I-35
DIST	COUNTY		SHEET NO.
AUS	TRAVIS		593



NO.	DATE	REVISION	APPR BY



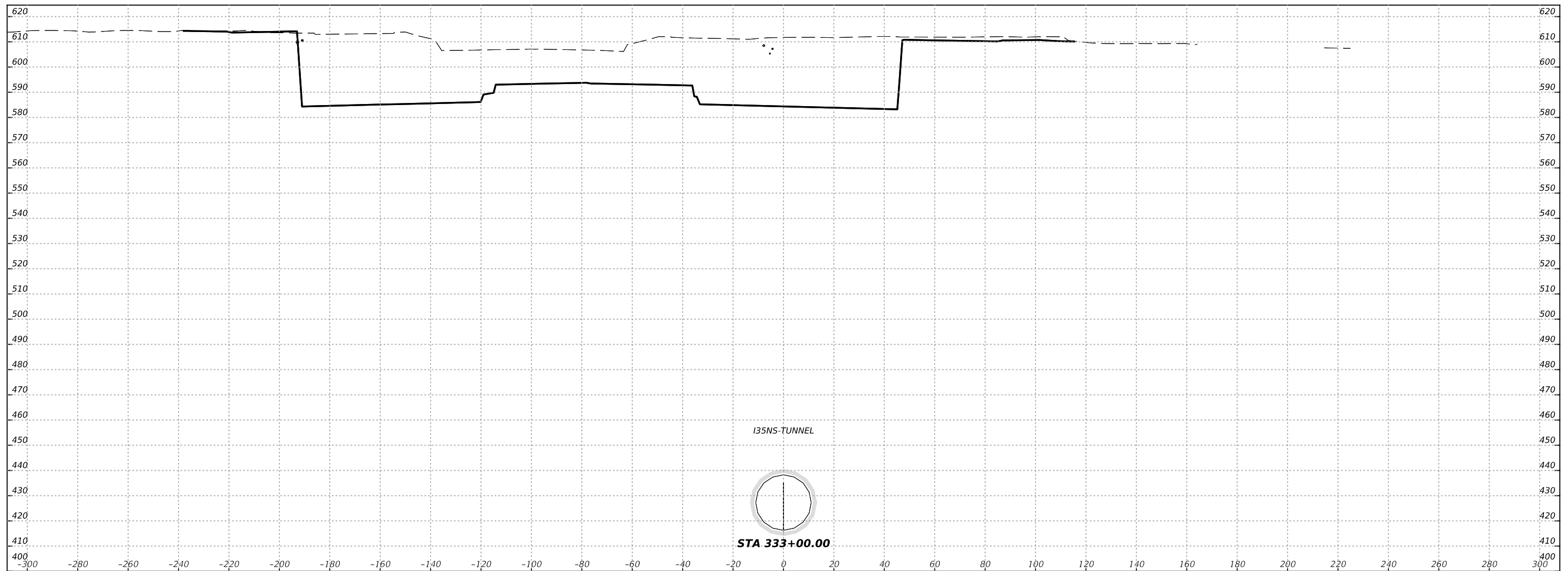
HDR Engineering, Inc.  
 Firm Registration No. F-754  
 710 Hester Crossing, Suite 150  
 Round Rock, Texas 78681



CAPITAL EXPRESS CENTRAL  
 I-35 TUNNEL  
 STA 332+50.00

SCALE: HORIZ: 1"=40'  
 VERT: 1"=40'

CONT	SECT	JOB	HIGHWAY
0015	13	433, ETC.	I-35
DIST	COUNTY		SHEET NO.
AUS	TRAVIS		594



NO.	DATE	REVISION	APPR BY



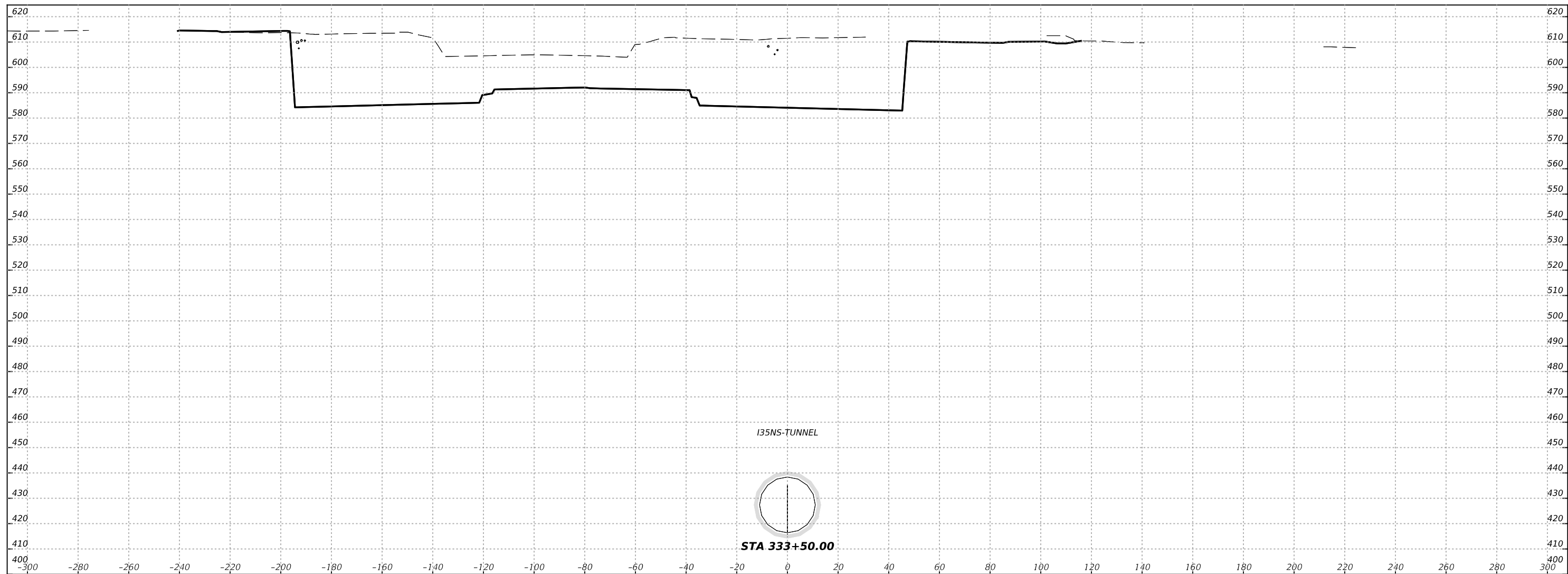
HDR Engineering, Inc.  
 Firm Registration No. F-754  
 710 Hester Crossing, Suite 150  
 Round Rock, Texas 78681



CAPITAL EXPRESS CENTRAL  
 I-35 TUNNEL  
 STA 333+00.00

SCALE: HORIZ: 1"=40'  
 VERT: 1"=40'

CONT	SECT	JOB	HIGHWAY
0015	13	433, ETC.	I-35
DIST	COUNTY		SHEET NO.
AUS	TRAVIS		595



NO.	DATE	REVISION	APPR BY



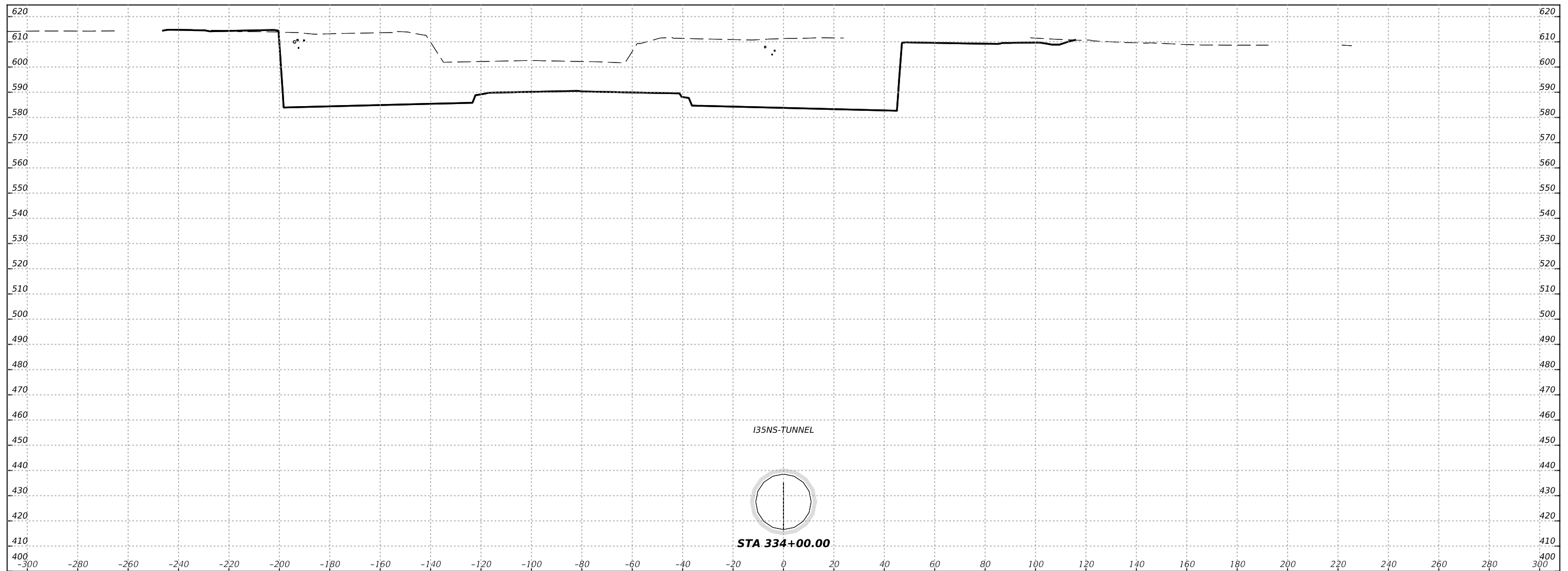
HDR Engineering, Inc.  
 Firm Registration No. F-754  
 710 Hester Crossing, Suite 150  
 Round Rock, Texas 78681



CAPITAL EXPRESS CENTRAL  
 I-35 TUNNEL  
 STA 333+50.00

SCALE: HORIZ: 1"=40'  
 VERT: 1"=40'

CONT	SECT	JOB	HIGHWAY
0015	13	433, ETC.	I-35
DIST	COUNTY		SHEET NO.
AUS	TRAVIS		596



NO.	DATE	REVISION	APPR BY



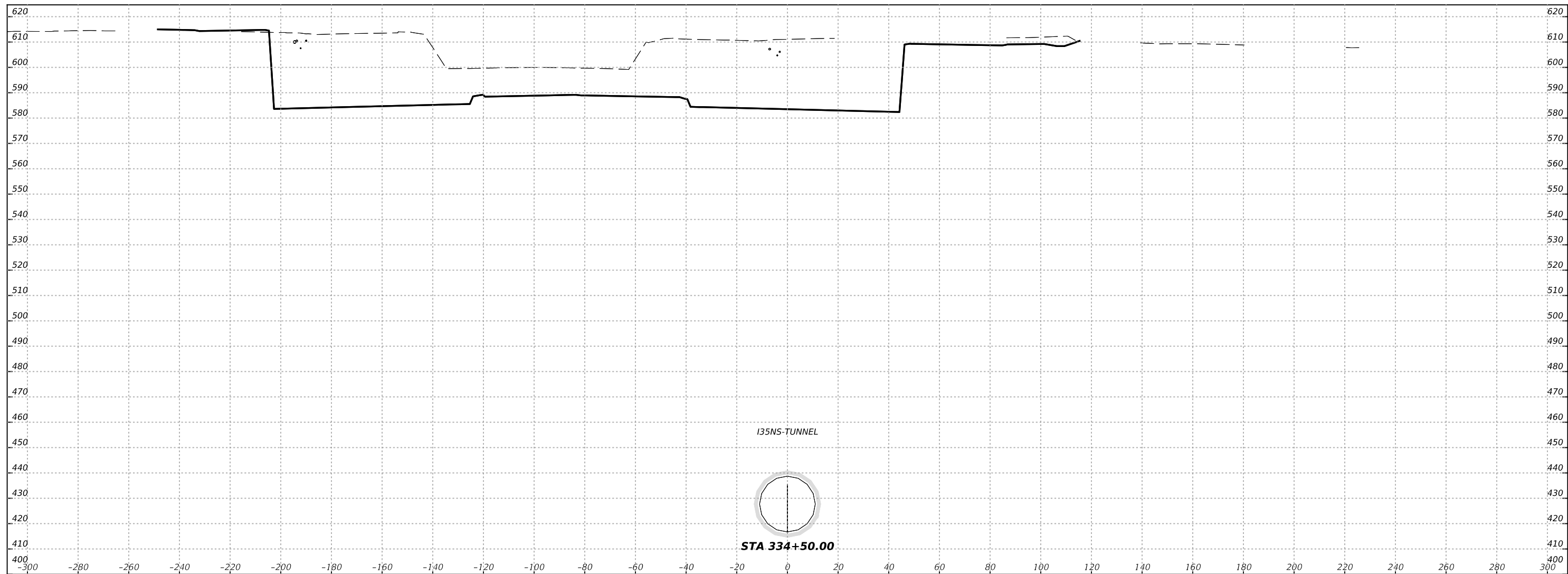
HDR Engineering, Inc.  
 Firm Registration No. F-754  
 710 Hester Crossing, Suite 150  
 Round Rock, Texas 78681



CAPITAL EXPRESS CENTRAL  
 I-35 TUNNEL  
 STA 334+00.00

SCALE: HORIZ: 1"=40'  
 VERT: 1"=40'

CONT	SECT	JOB	HIGHWAY
0015	13	433, ETC.	I-35
DIST	COUNTY		SHEET NO.
AUS	TRAVIS		597



NO.	DATE	REVISION	APPR BY



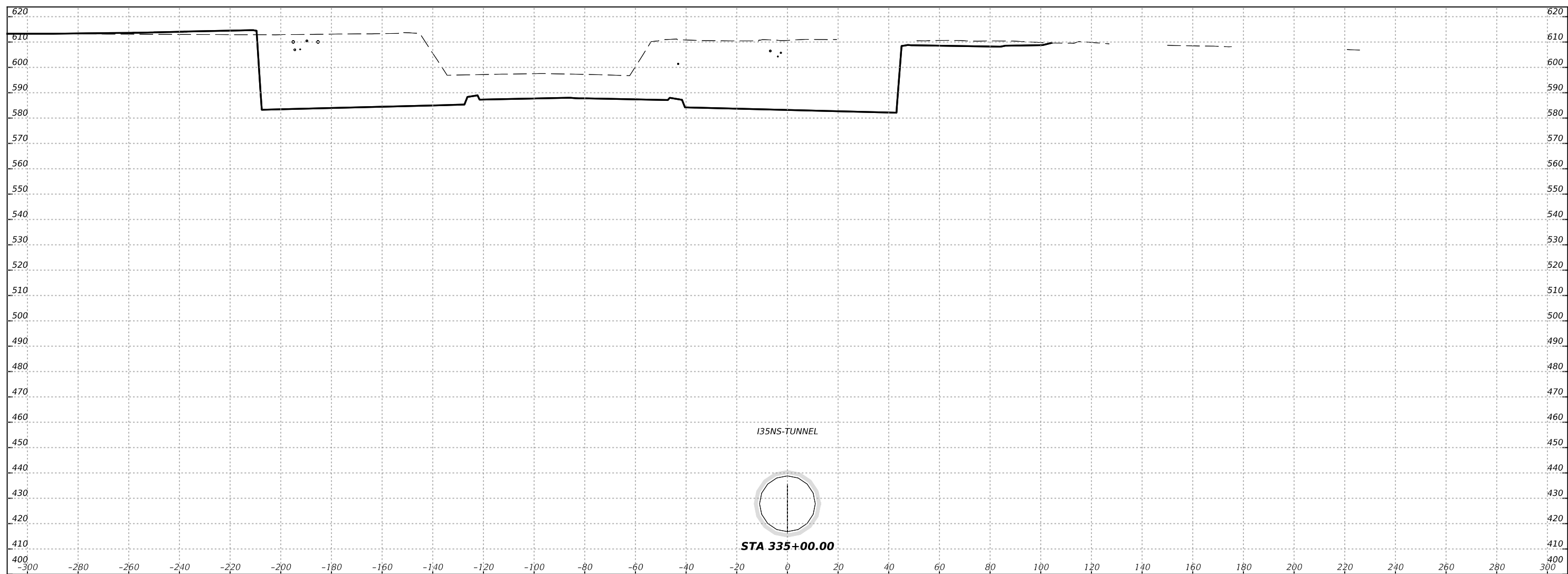
HDR Engineering, Inc.  
 Firm Registration No. F-754  
 710 Hester Crossing, Suite 150  
 Round Rock, Texas 78681



CAPITAL EXPRESS CENTRAL  
 I-35 TUNNEL  
 STA 334+50.00

SCALE: HORIZ: 1"=40'  
 VERT: 1"=40'

CONT	SECT	JOB	HIGHWAY
0015	13	433, ETC.	I-35
DIST	COUNTY		SHEET NO.
AUS	TRAVIS		598



NO.	DATE	REVISION	APPR BY



HDR Engineering, Inc.  
 Firm Registration No. F-754  
 710 Hester Crossing, Suite 150  
 Round Rock, Texas 78681

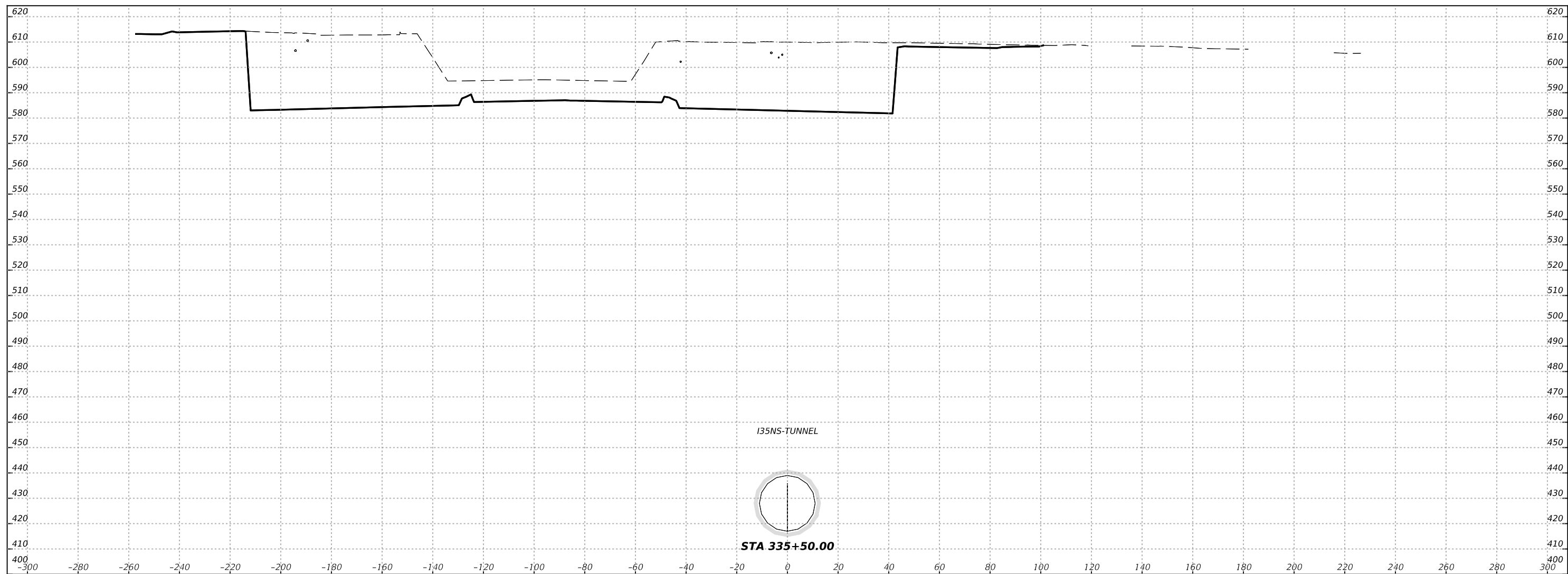


CAPITAL EXPRESS CENTRAL  
 I-35 TUNNEL  
 STA 335+00.00

SCALE: HORIZ: 1"=40'  
 VERT: 1"=40'

CONT	SECT	JOB	HIGHWAY
0015	13	433, ETC.	I-35
DIST			SHEET NO.
AUS	TRAVIS		599





NO.	DATE	REVISION	APPR BY



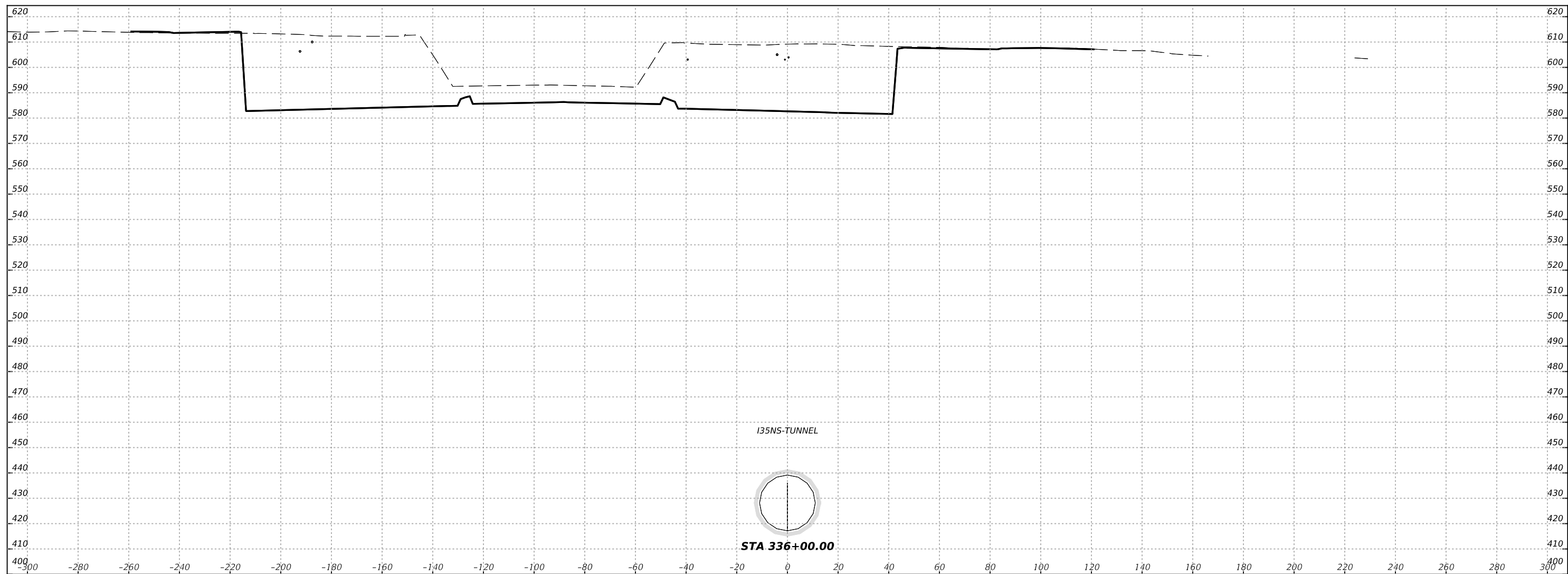
HDR Engineering, Inc.  
 Firm Registration No. F-754  
 710 Hester Crossing, Suite 150  
 Round Rock, Texas 78681



CAPITAL EXPRESS CENTRAL  
 I-35 TUNNEL  
 STA 335+50.00

SCALE: HORIZ: 1"=40'  
 VERT: 1"=40'

CONT	SECT	JOB	HIGHWAY
0015	13	433, ETC.	I-35
DIST	COUNTY		SHEET NO.
AUS	TRAVIS		600



NO.	DATE	REVISION	APPR BY



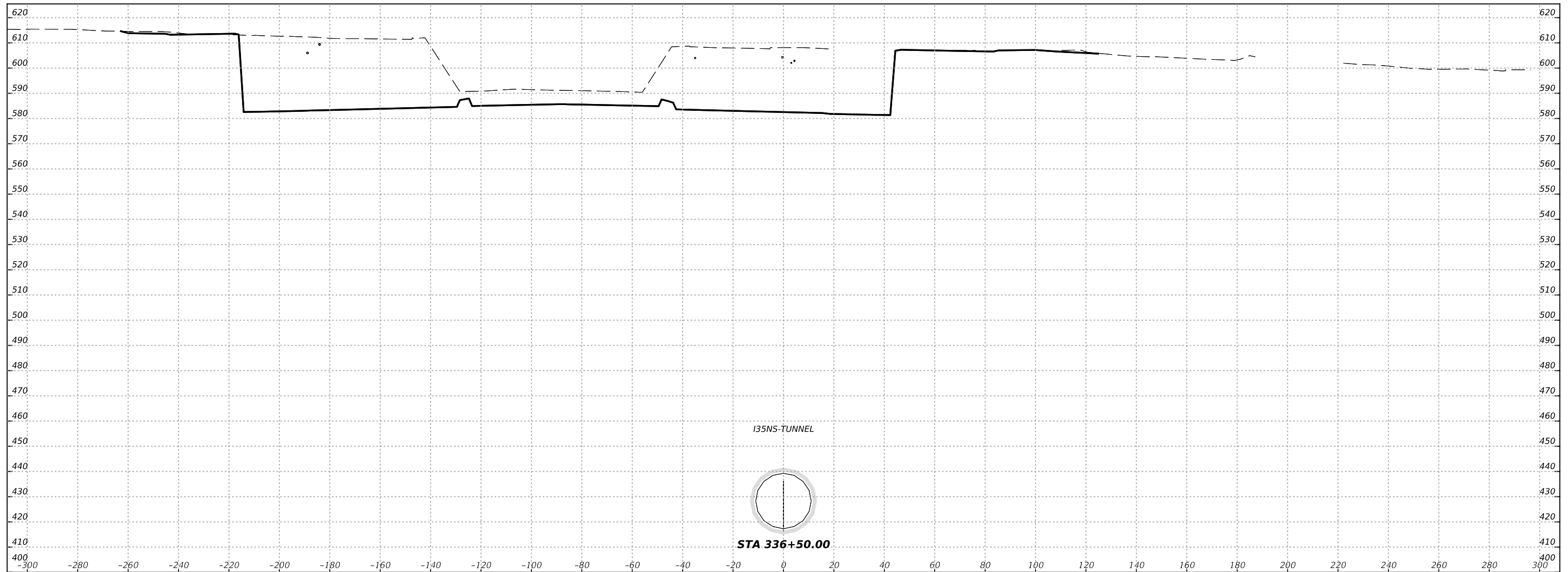
HDR Engineering, Inc.  
 Firm Registration No. F-754  
 710 Hester Crossing, Suite 150  
 Round Rock, Texas 78681



CAPITAL EXPRESS CENTRAL  
 I-35 TUNNEL  
 STA 336+00.00

SCALE: HORIZ: 1"=40'  
 VERT: 1"=40'

CONT	SECT	JOB	HIGHWAY
0015	13	433, ETC.	I-35
DIST COUNTY			SHEET NO.
AUS	TRAVIS		601



NO.	DATE	REVISION	APPR BY



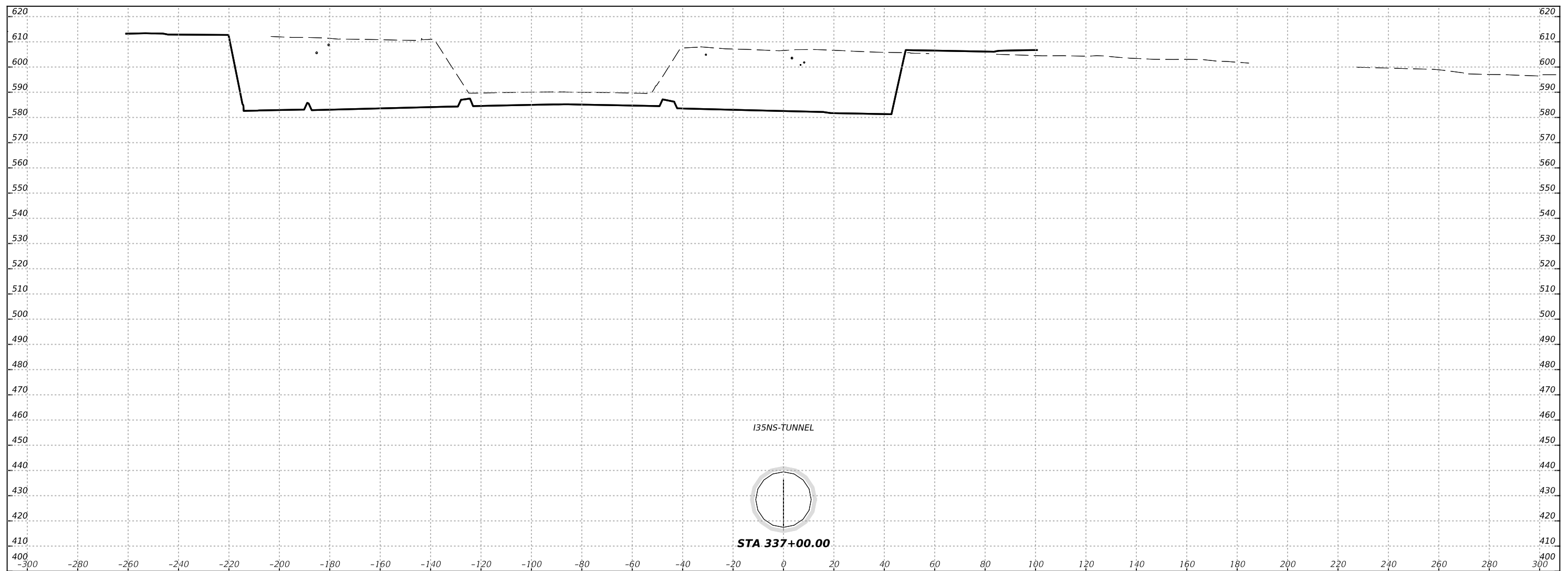
HDR Engineering, Inc.  
 Firm Registration No. F-754  
 710 Hester Crossing, Suite 150  
 Round Rock, Texas 78681



CAPITAL EXPRESS CENTRAL  
 I-35 TUNNEL  
 STA 336+50.00

SCALE: HORIZ: 1"=40'  
 VERT: 1"=40'

CONT	SECT	JOB	HIGHWAY
0015	13	433, ETC.	I-35
DIST	COUNTY		SHEET NO.
AUS	TRAVIS		602



NO.	DATE	REVISION	APPR BY



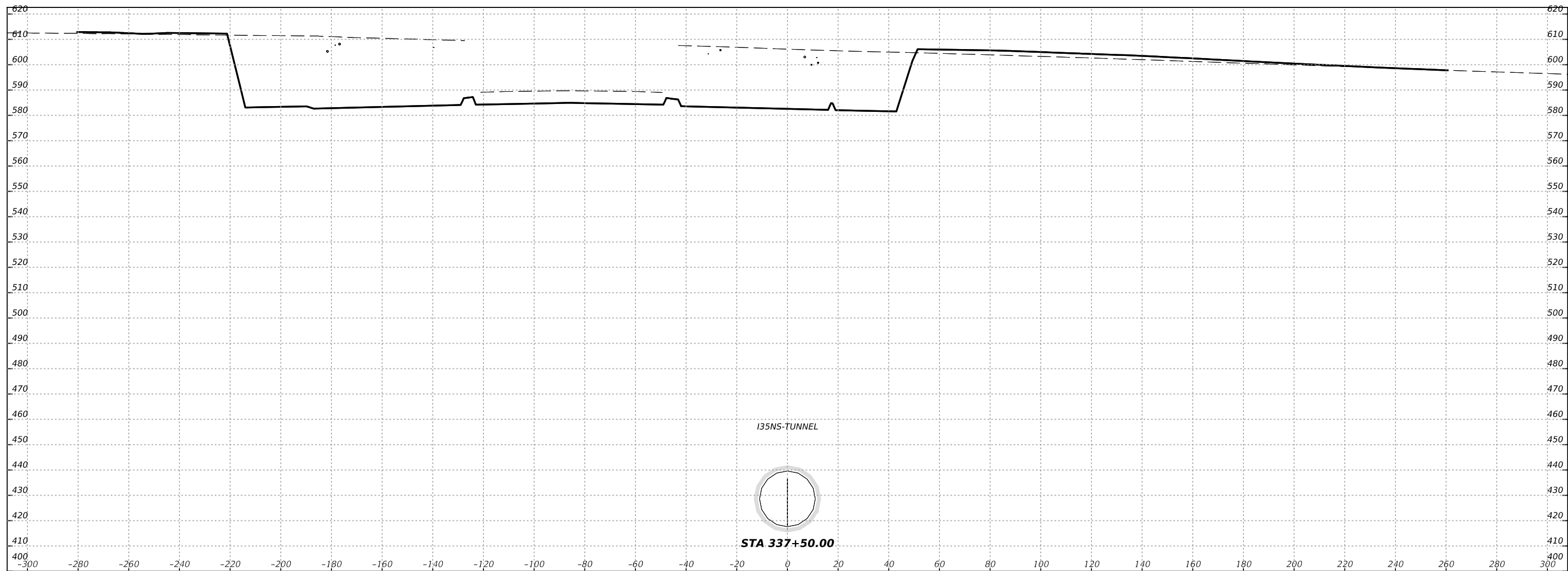
HDR Engineering, Inc.  
 Firm Registration No. F-754  
 710 Hester Crossing, Suite 150  
 Round Rock, Texas 78681



CAPITAL EXPRESS CENTRAL  
 I-35 TUNNEL  
 STA 337+00.00

SCALE: HORIZ: 1"=40'  
 VERT: 1"=40'

CONT	SECT	JOB	HIGHWAY
0015	13	433, ETC.	I-35
DIST			COUNTY
AUS			TRAVIS
SHEET NO.			603



NO.	DATE	REVISION	APPR BY



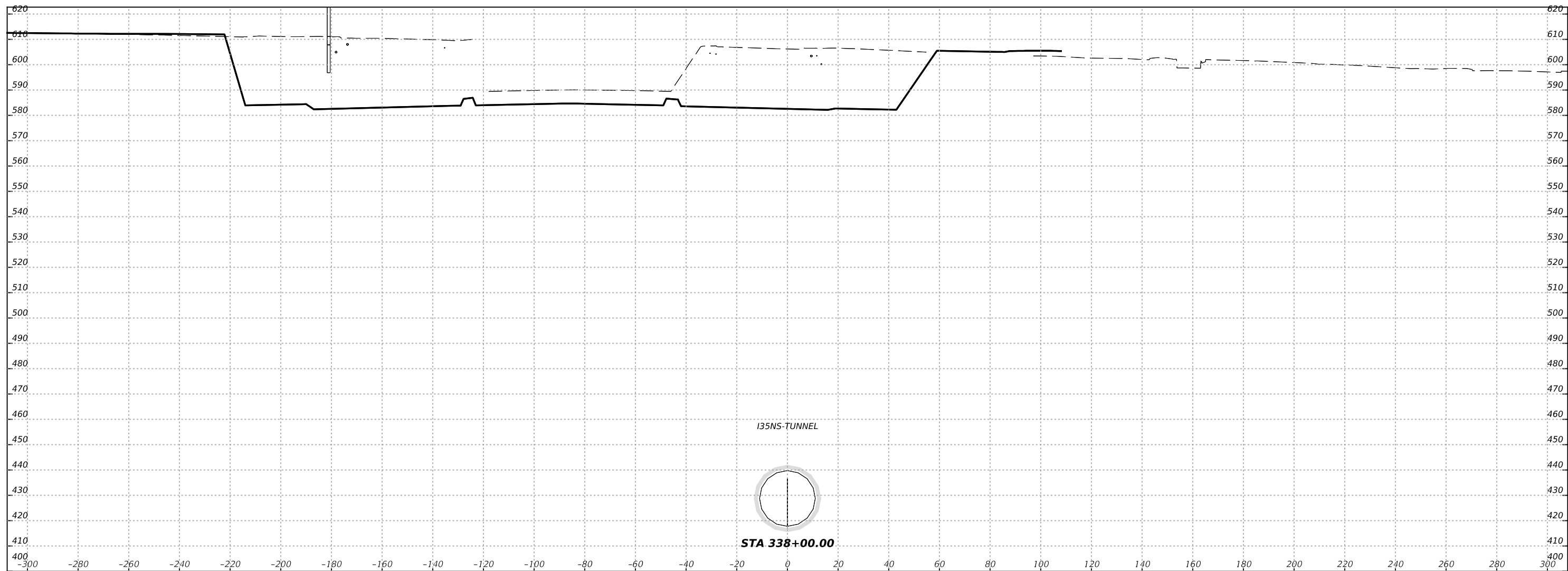
HDR Engineering, Inc.  
 Firm Registration No. F-754  
 710 Hester Crossing, Suite 150  
 Round Rock, Texas 78681



CAPITAL EXPRESS CENTRAL  
 I-35 TUNNEL  
 STA 337+50.00

SCALE: HORIZ: 1"=40'  
 VERT: 1"=40'

CONT	SECT	JOB	HIGHWAY
0015	13	433, ETC.	I-35
DIST	COUNTY		SHEET NO.
AUS	TRAVIS		604



NO.	DATE	REVISION	APPR BY



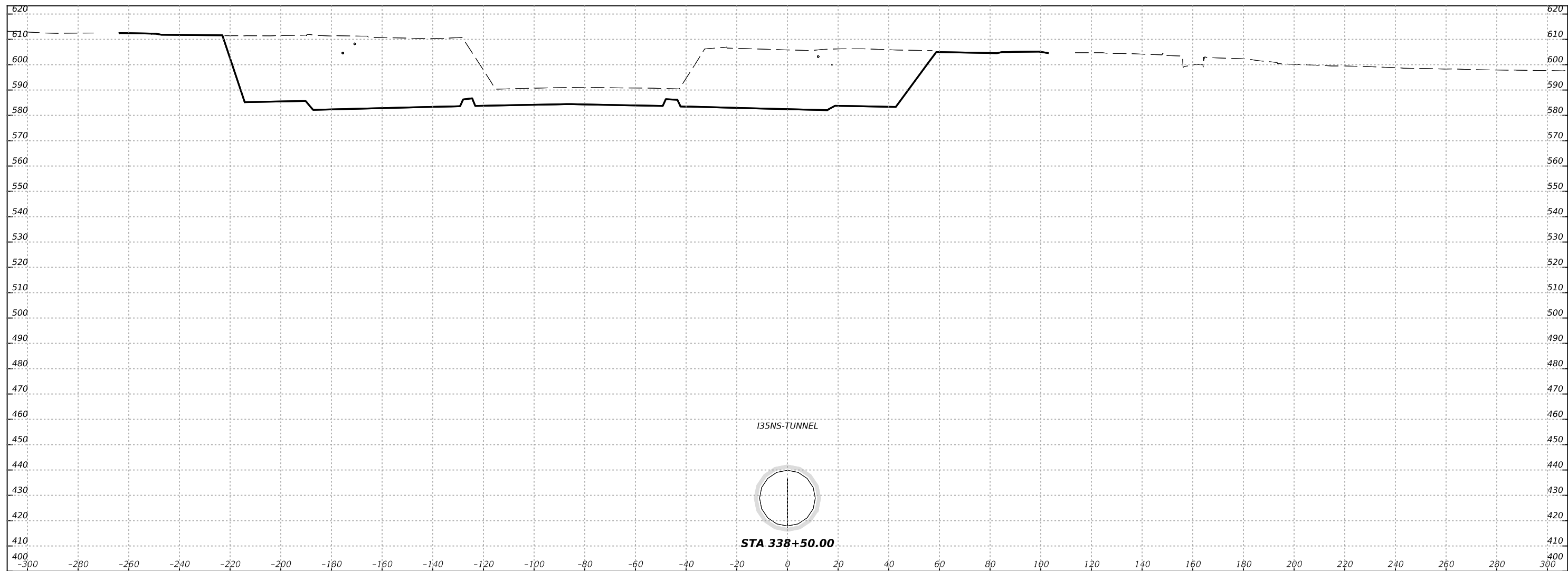
HDR Engineering, Inc.  
 Firm Registration No. F-754  
 710 Hester Crossing, Suite 150  
 Round Rock, Texas 78681



CAPITAL EXPRESS CENTRAL  
 I-35 TUNNEL  
 STA 338+00.00

SCALE: HORIZ: 1"=40'  
 VERT: 1"=40'

CONT	SECT	JOB	HIGHWAY
0015	13	433, ETC.	I-35
DIST	COUNTY		SHEET NO.
AUS	TRAVIS		605



NO.	DATE	REVISION	APPR BY



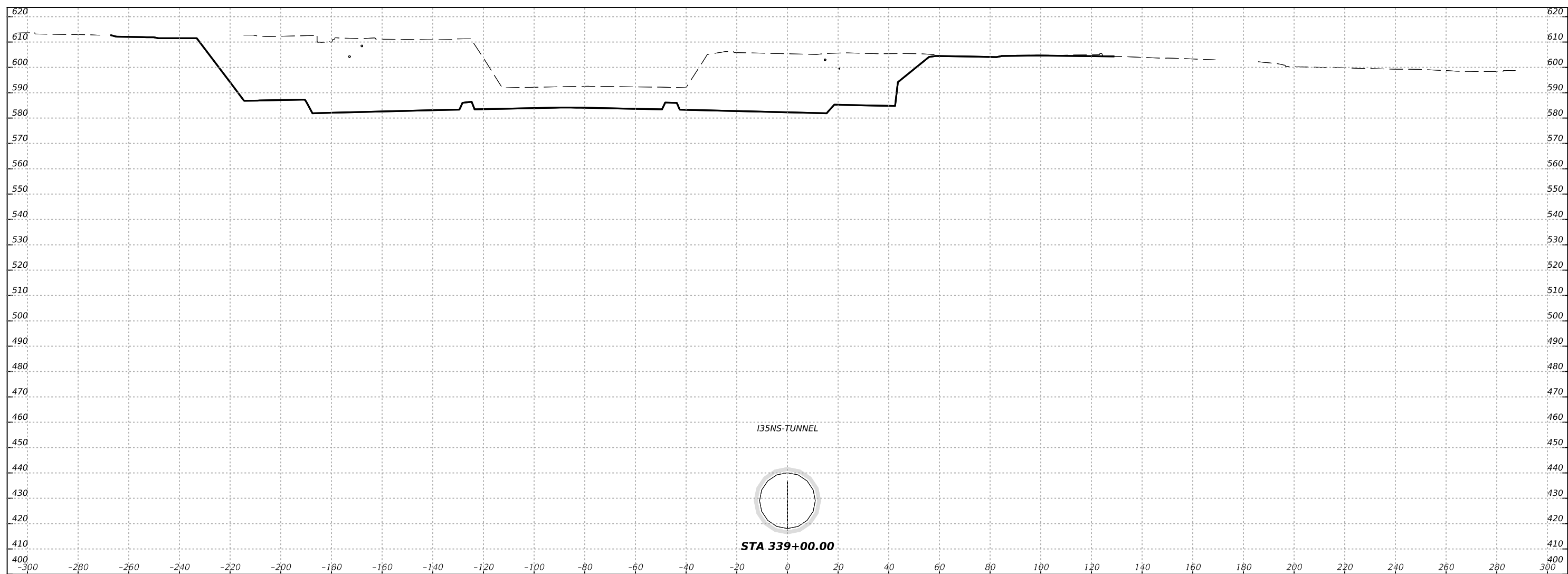
HDR Engineering, Inc.  
 Firm Registration No. F-754  
 710 Hester Crossing, Suite 150  
 Round Rock, Texas 78681



CAPITAL EXPRESS CENTRAL  
 I-35 TUNNEL  
 STA 338+50.00

SCALE: HORIZ: 1"=40'  
 VERT: 1"=40'

CONT	SECT	JOB	HIGHWAY
0015	13	433, ETC.	I-35
DIST	COUNTY		SHEET NO.
AUS	TRAVIS		606



NO.	DATE	REVISION	APPR BY



HDR Engineering, Inc.  
 Firm Registration No. F-754  
 710 Hester Crossing, Suite 150  
 Round Rock, Texas 78681

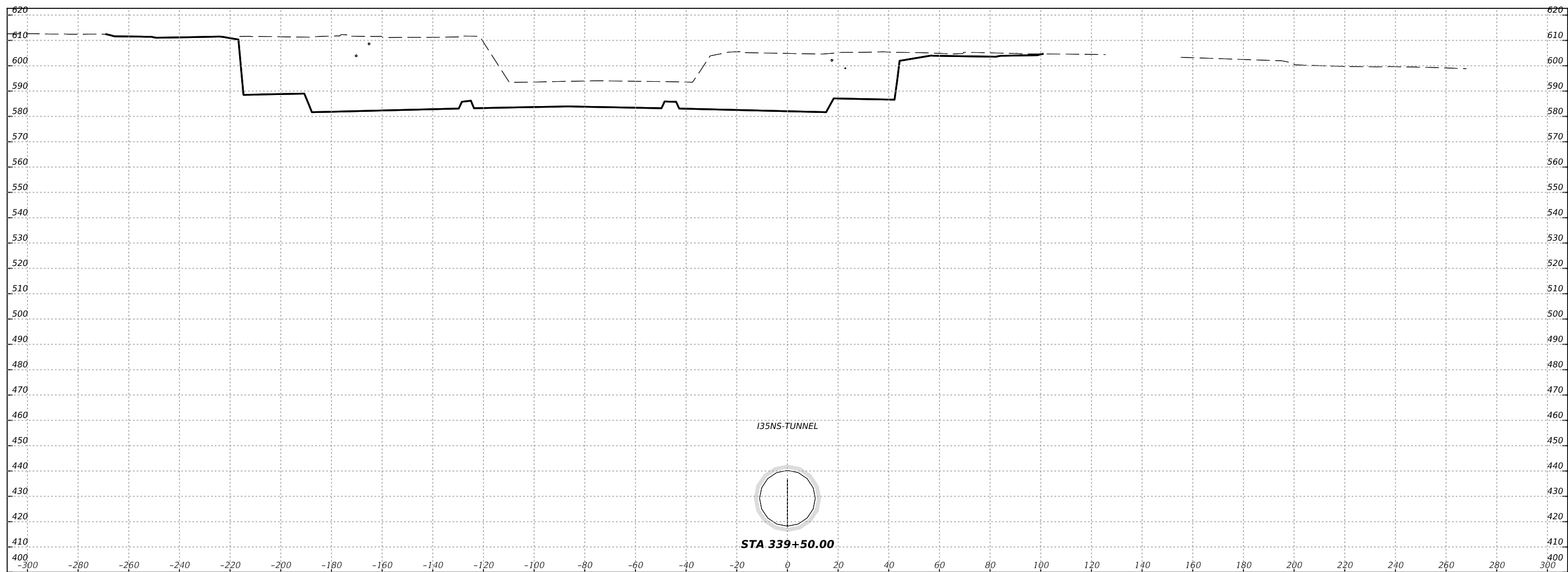


CAPITAL EXPRESS CENTRAL  
 I-35 TUNNEL  
 STA 339+00.00

SCALE: HORIZ: 1"=40'  
 VERT: 1"=40'

CONT	SECT	JOB	HIGHWAY
0015	13	433, ETC.	I-35
DIST	COUNTY		SHEET NO.
AUS	TRAVIS		607





NO.	DATE	REVISION	APPR BY



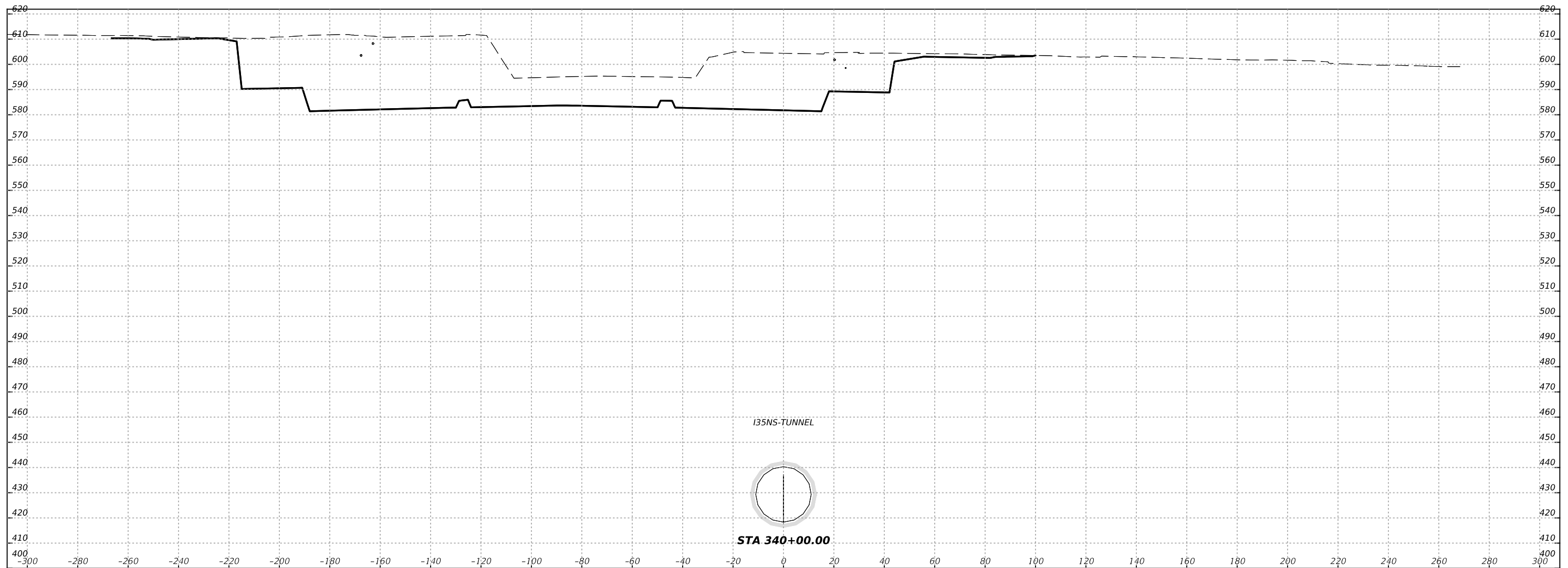
HDR Engineering, Inc.  
 Firm Registration No. F-754  
 710 Hester Crossing, Suite 150  
 Round Rock, Texas 78681



CAPITAL EXPRESS CENTRAL  
 I-35 TUNNEL  
 STA 339+50.00

SCALE: HORIZ: 1"=40'  
 VERT: 1"=40'

CONT	SECT	JOB	HIGHWAY
0015	13	433, ETC.	I-35
DIST	COUNTY		SHEET NO.
AUS	TRAVIS		608



NO.	DATE	REVISION	APPR BY



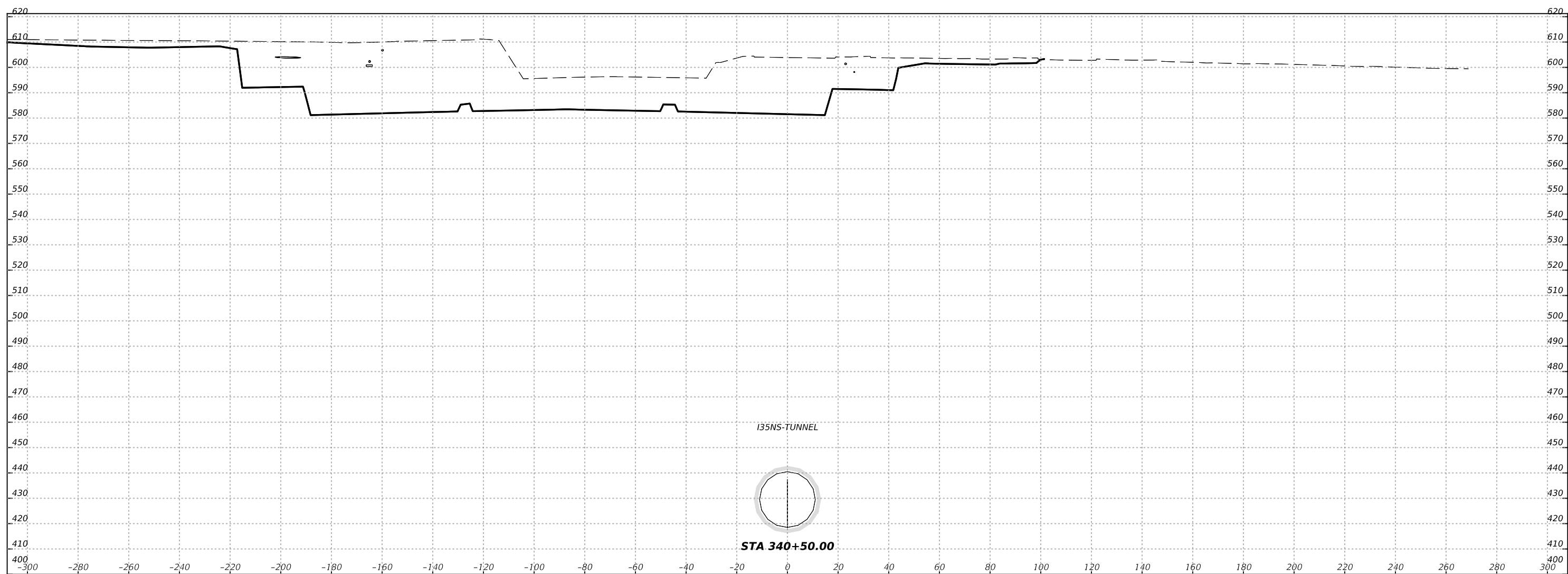
HDR Engineering, Inc.  
 Firm Registration No. F-754  
 710 Hester Crossing, Suite 150  
 Round Rock, Texas 78681



CAPITAL EXPRESS CENTRAL  
 I-35 TUNNEL  
 STA 340+00.00

SCALE: HORIZ: 1"=40'  
 VERT: 1"=40'

CONT	SECT	JOB	HIGHWAY
0015	13	433, ETC.	I-35
DIST	COUNTY		SHEET NO.
AUS	TRAVIS		609



NO.	DATE	REVISION	APPR BY



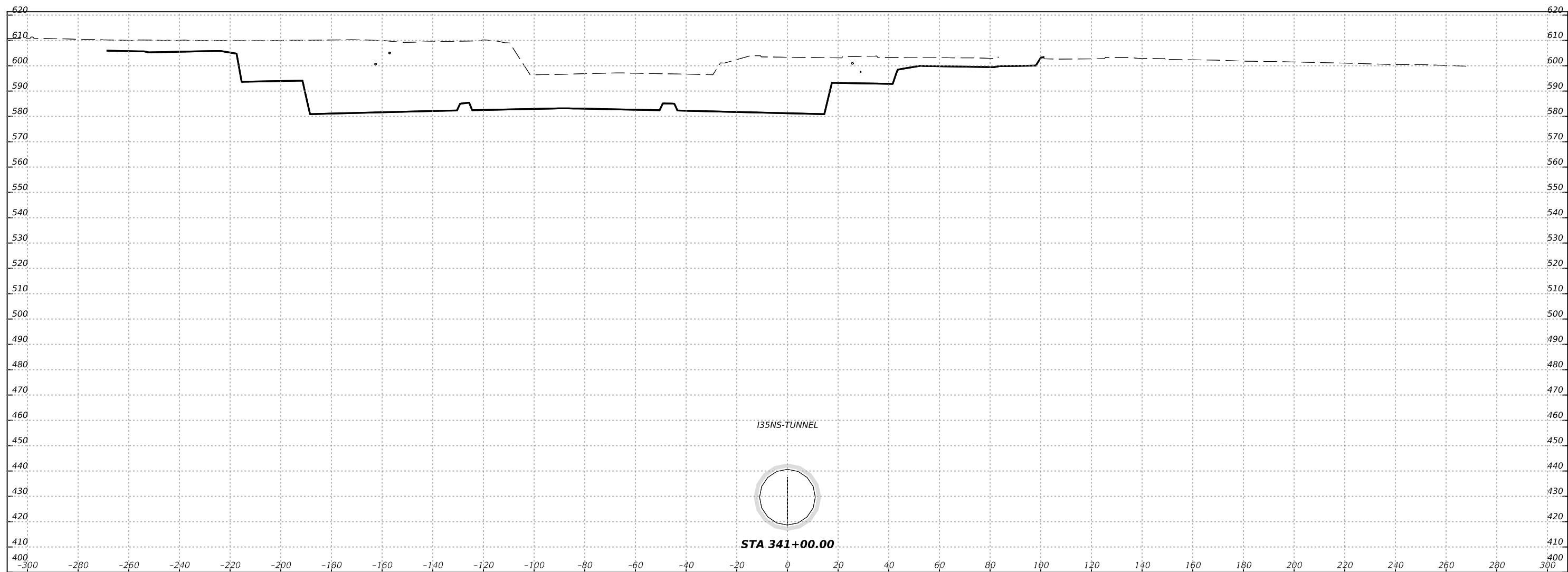
HDR Engineering, Inc.  
 Firm Registration No. F-754  
 710 Hester Crossing, Suite 150  
 Round Rock, Texas 78681



CAPITAL EXPRESS CENTRAL  
 I-35 TUNNEL  
 STA 340+50.00

SCALE: HORIZ: 1"=40'  
 VERT: 1"=40'

CONT	SECT	JOB	HIGHWAY
0015	13	433, ETC.	I-35
DIST	COUNTY		SHEET NO.
AUS	TRAVIS		610



NO.	DATE	REVISION	APPR BY



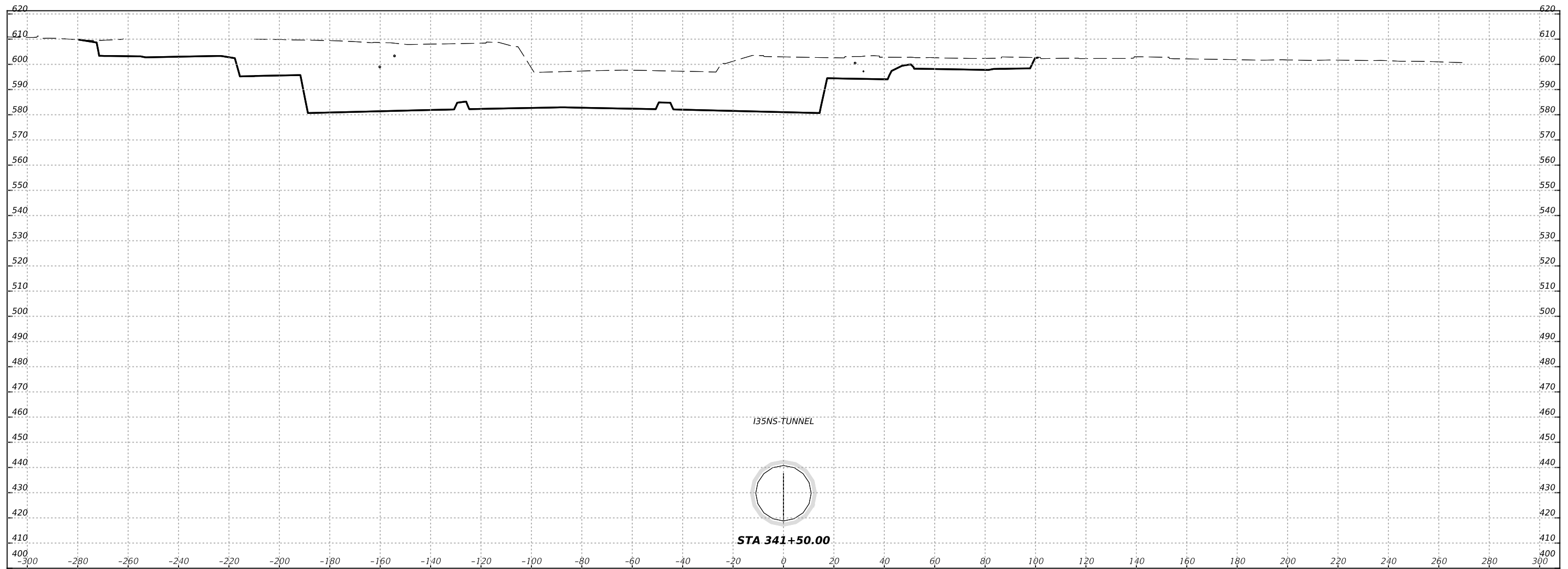
HDR Engineering, Inc.  
 Firm Registration No. F-754  
 710 Hester Crossing, Suite 150  
 Round Rock, Texas 78681



CAPITAL EXPRESS CENTRAL  
 I-35 TUNNEL  
 STA 341+00.00

SCALE: HORIZ: 1"=40'  
 VERT: 1"=40'

CONT	SECT	JOB	HIGHWAY
0015	13	433, ETC.	I-35
DIST	COUNTY		SHEET NO.
AUS	TRAVIS		611



NO.	DATE	REVISION	APPR BY



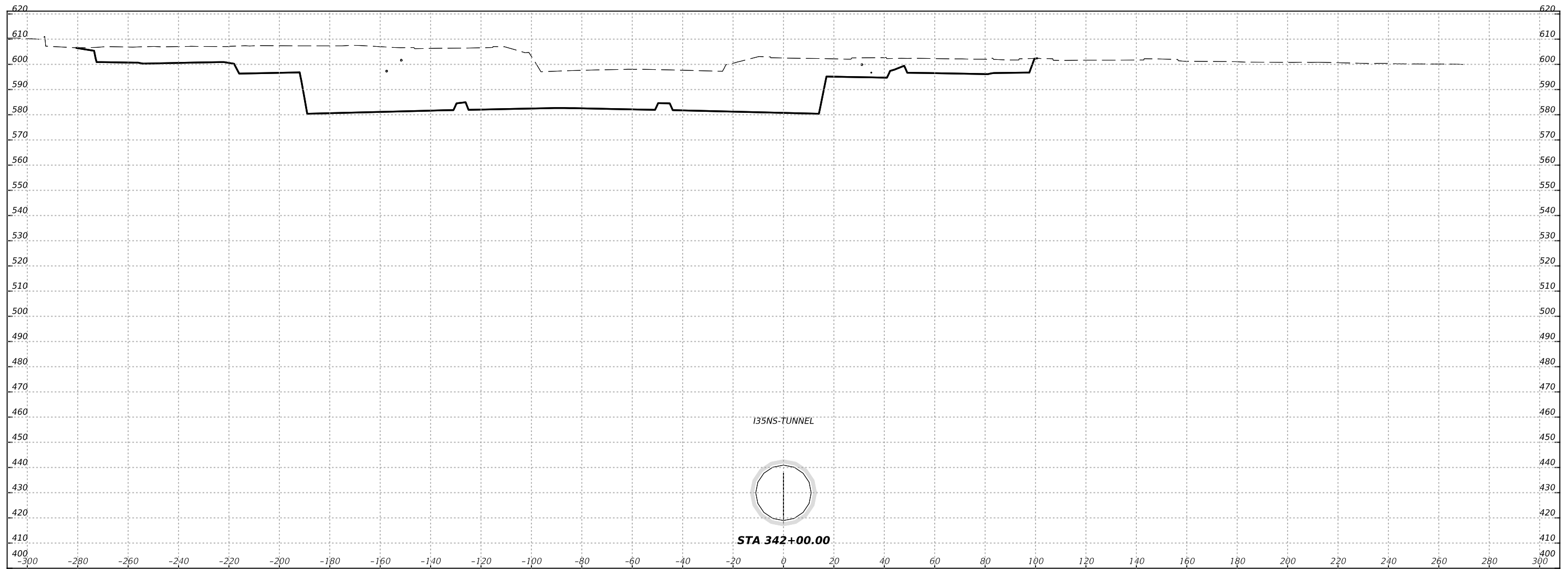
HDR Engineering, Inc.  
 Firm Registration No. F-754  
 710 Hester Crossing, Suite 150  
 Round Rock, Texas 78681



CAPITAL EXPRESS CENTRAL  
 I-35 TUNNEL  
 STA 341+50.00

SCALE: HORIZ: 1"=40'  
 VERT: 1"=40'

CONT	SECT	JOB	HIGHWAY
0015	13	433, ETC.	I-35
DIST	COUNTY		SHEET NO.
AUS	TRAVIS		612



NO.	DATE	REVISION	APPR BY



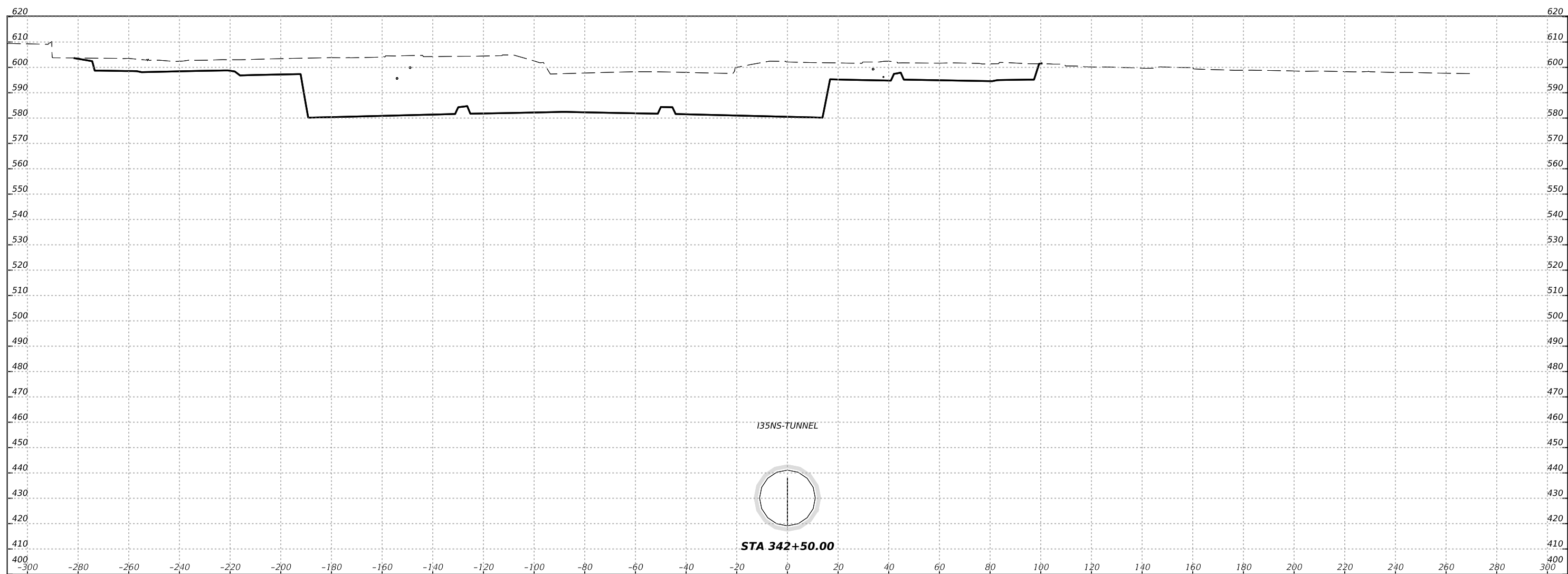
HDR Engineering, Inc.  
 Firm Registration No. F-754  
 710 Hester Crossing, Suite 150  
 Round Rock, Texas 78681



CAPITAL EXPRESS CENTRAL  
 I-35 TUNNEL  
 STA 342+00.00

SCALE: HORIZ: 1"=40'  
 VERT: 1"=40'

CONT	SECT	JOB	HIGHWAY
0015	13	433, ETC.	I-35
DIST	COUNTY		SHEET NO.
AUS	TRAVIS		613



NO.	DATE	REVISION	APPR BY



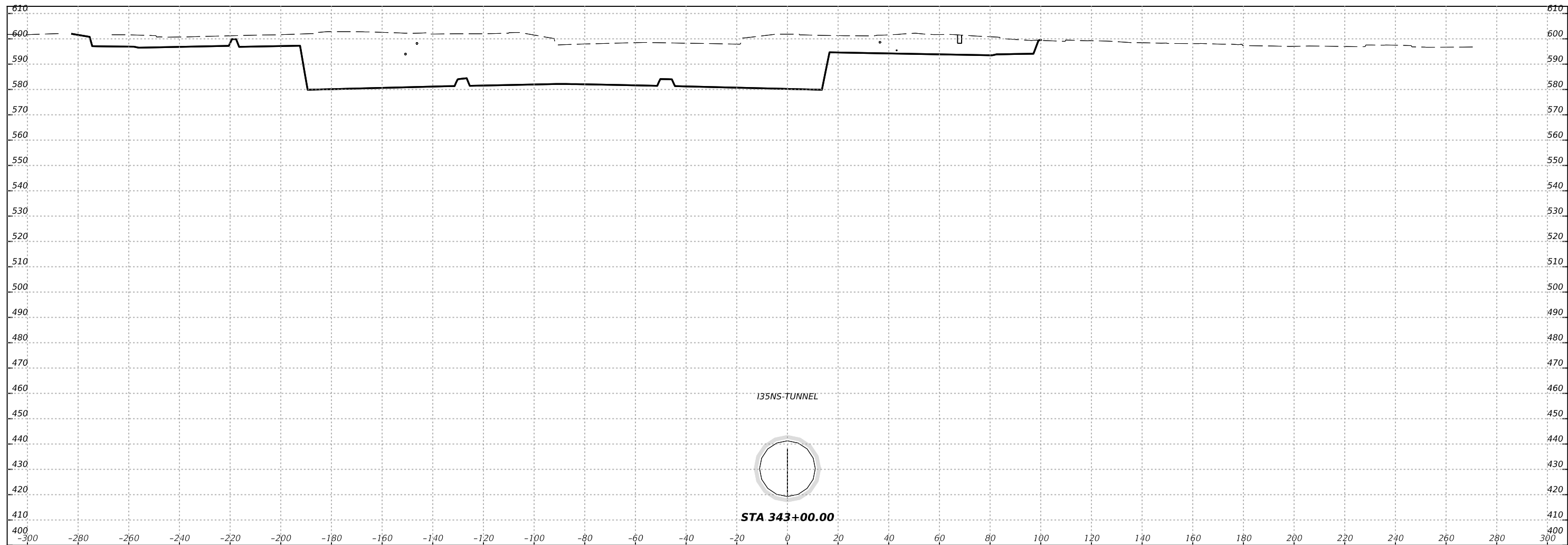
HDR Engineering, Inc.  
 Firm Registration No. F-754  
 710 Hester Crossing, Suite 150  
 Round Rock, Texas 78681



CAPITAL EXPRESS CENTRAL  
 I-35 TUNNEL  
 STA 342+50.00

SCALE: HORIZ: 1"=40'  
 VERT: 1"=40'

CONT	SECT	JOB	HIGHWAY
0015	13	433, ETC.	I-35
DIST	COUNTY		SHEET NO.
AUS	TRAVIS		614



NO.	DATE	REVISION	APPR BY



HDR Engineering, Inc.  
 Firm Registration No. F-754  
 710 Hester Crossing, Suite 150  
 Round Rock, Texas 78681

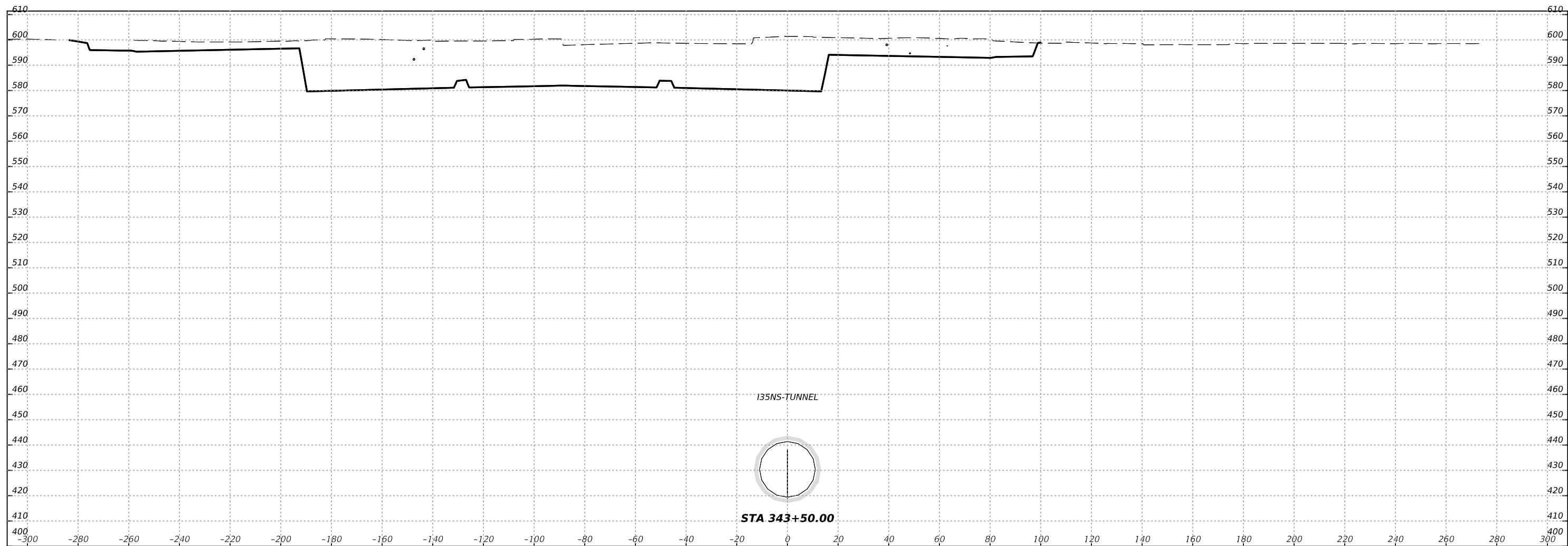


CAPITAL EXPRESS CENTRAL  
 I-35 TUNNEL  
 STA 343+00.00

SCALE: HORIZ: 1"=40'  
 VERT: 1"=40'

CONT	SECT	JOB	HIGHWAY
0015	13	433, ETC.	I-35
DIST	COUNTY		SHEET NO.
AUS	TRAVIS		615





NO.	DATE	REVISION	APPR BY



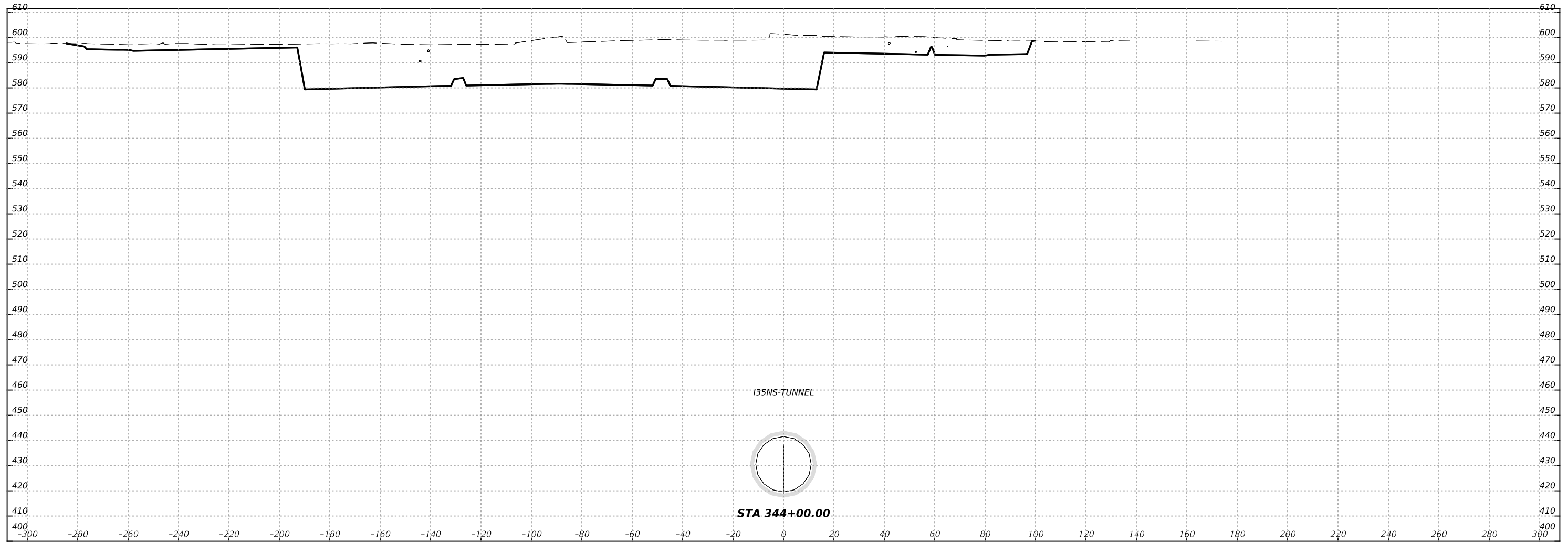
HDR Engineering, Inc.  
 Firm Registration No. F-754  
 710 Hester Crossing, Suite 150  
 Round Rock, Texas 78681



CAPITAL EXPRESS CENTRAL  
 I-35 TUNNEL  
 STA 343+50.00

SCALE: HORIZ: 1"=40'  
 VERT: 1"=40'

CONT	SECT	JOB	HIGHWAY
0015	13	433, ETC.	I-35
DIST	COUNTY		SHEET NO.
AUS	TRAVIS		616



NO.	DATE	REVISION	APPR BY



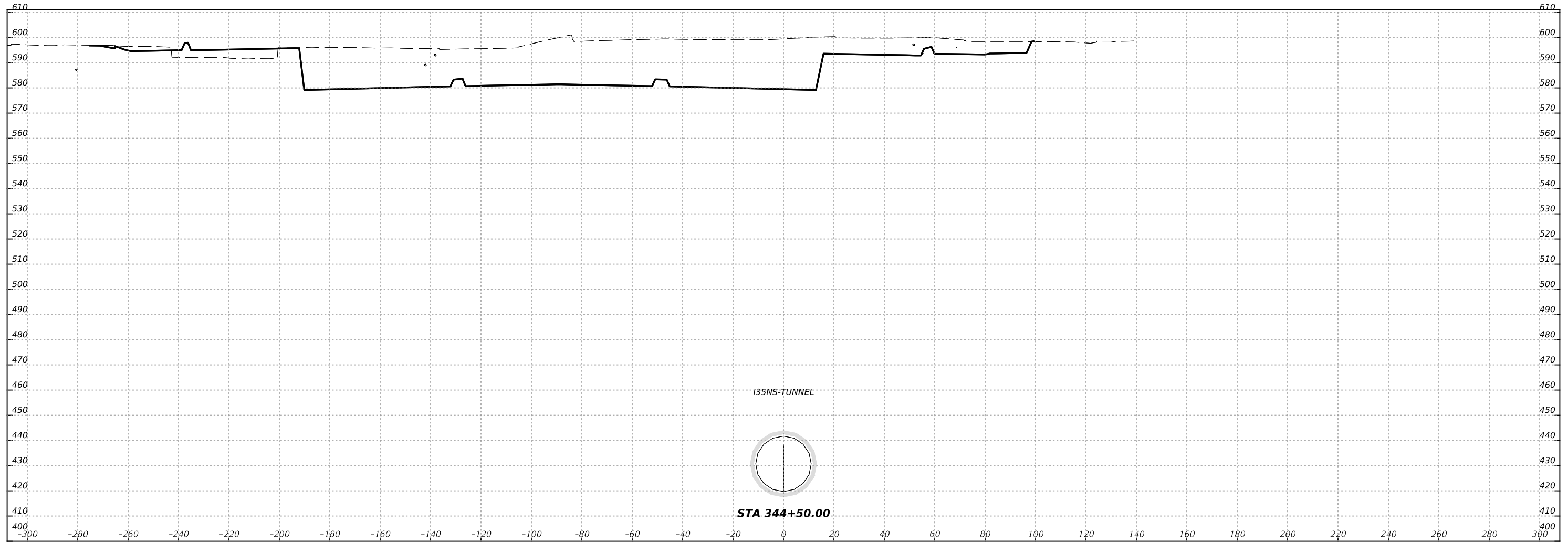
HDR Engineering, Inc.  
 Firm Registration No. F-754  
 710 Hester Crossing, Suite 150  
 Round Rock, Texas 78681



CAPITAL EXPRESS CENTRAL  
 I-35 TUNNEL  
 STA 344+00.00

SCALE: HORIZ: 1"=40'  
 VERT: 1"=40'

CONT	SECT	JOB	HIGHWAY
0015	13	433, ETC.	I-35
DIST	COUNTY		SHEET NO.
AUS	TRAVIS		617



NO.	DATE	REVISION	APPR BY



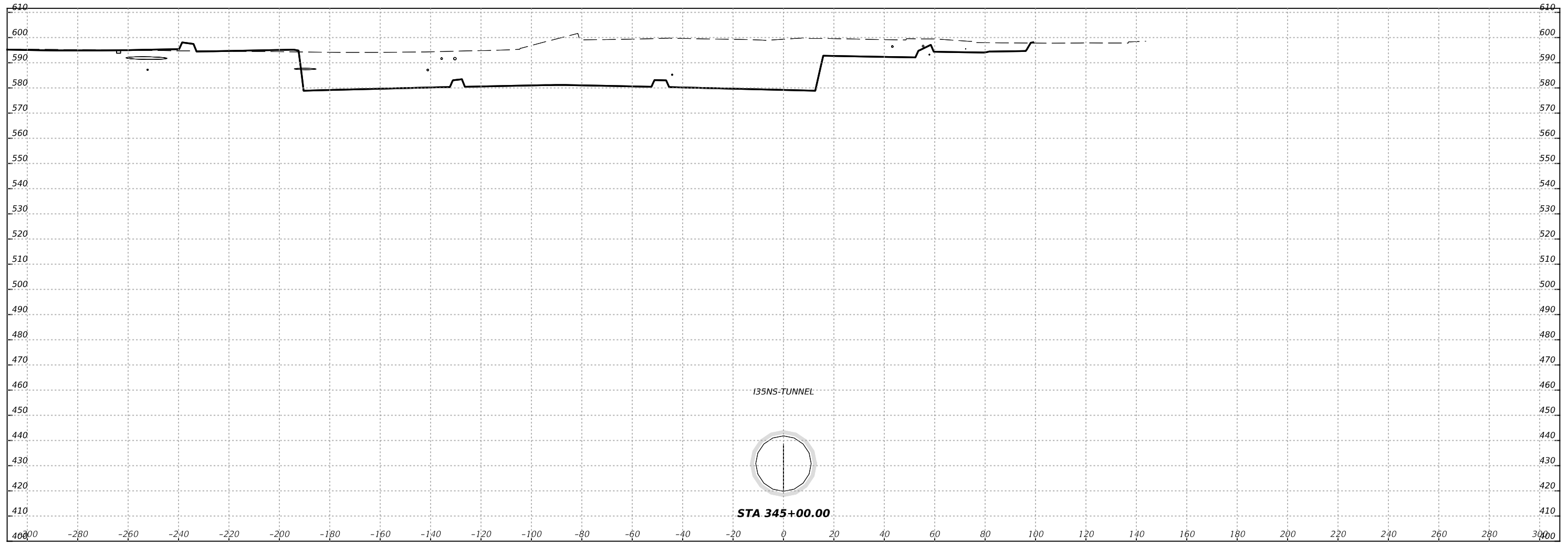
HDR Engineering, Inc.  
 Firm Registration No. F-754  
 710 Hester Crossing, Suite 150  
 Round Rock, Texas 78681



CAPITAL EXPRESS CENTRAL  
 I-35 TUNNEL  
 STA 344+50.00

SCALE: HORIZ: 1"=40'  
 VERT: 1"=40'

CONT	SECT	JOB	HIGHWAY
0015	13	433, ETC.	I-35
DIST	COUNTY	SHEET NO.	
AUS	TRAVIS	618	



NO.	DATE	REVISION	APPR BY



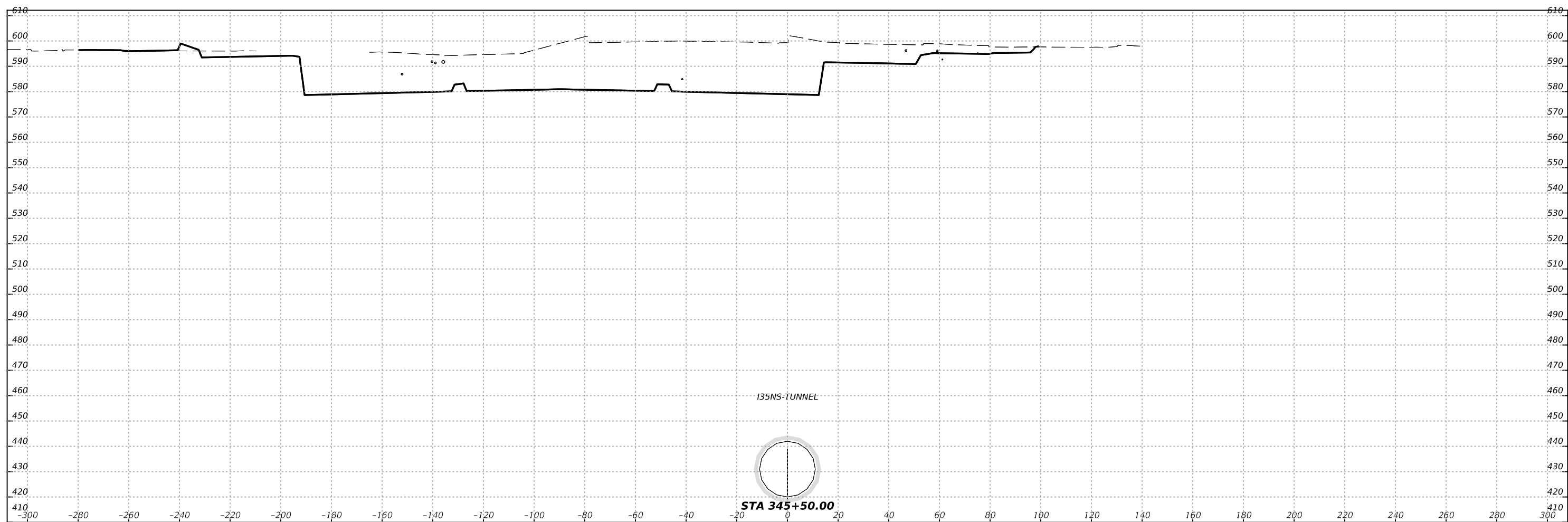
HDR Engineering, Inc.  
 Firm Registration No. F-754  
 710 Hester Crossing, Suite 150  
 Round Rock, Texas 78681



CAPITAL EXPRESS CENTRAL  
 I-35 TUNNEL  
 STA 345+00.00

SCALE: HORIZ: 1"=40'  
 VERT: 1"=40'

CONT	SECT	JOB	HIGHWAY
0015	13	433, ETC.	I-35
DIST	COUNTY		SHEET NO.
AUS	TRAVIS		619



NO.	DATE	REVISION	APPR BY



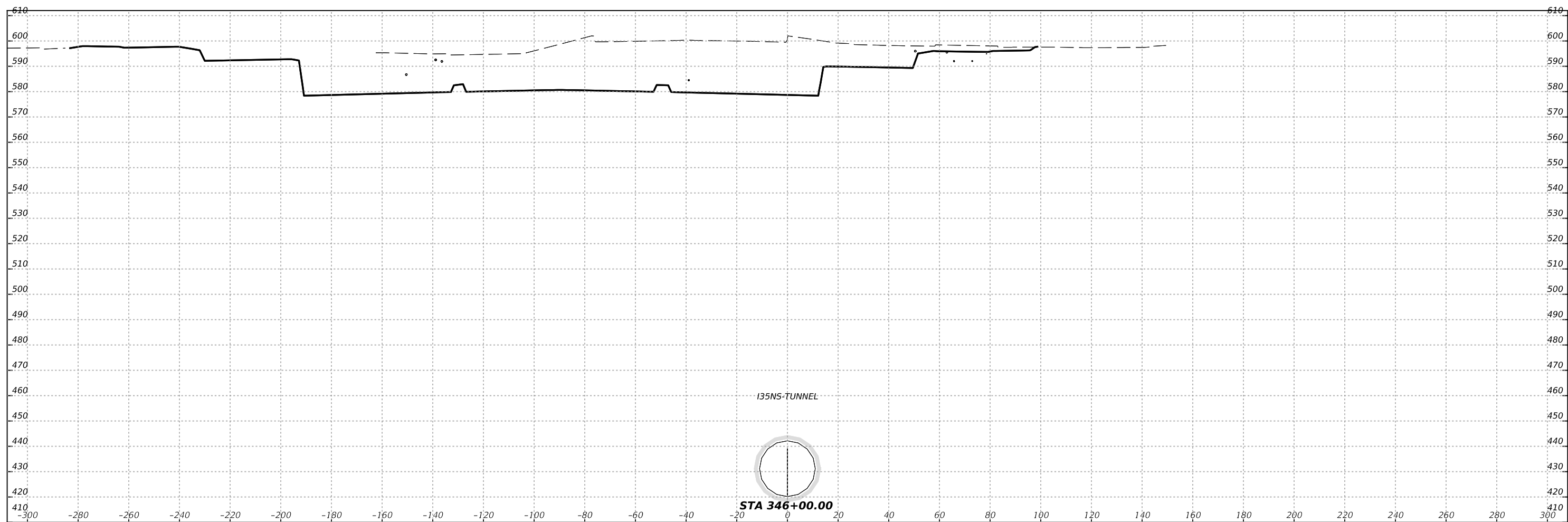
HDR Engineering, Inc.  
 Firm Registration No. F-754  
 710 Hester Crossing, Suite 150  
 Round Rock, Texas 78681



CAPITAL EXPRESS CENTRAL  
 I-35 TUNNEL  
 STA 345+50.00

SCALE: HORIZ: 1"=40'  
 VERT: 1"=40'

CONT	SECT	JOB	HIGHWAY
0015	13	433, ETC.	I-35
DIST COUNTY			SHEET NO.
AUS	TRAVIS		620



NO.	DATE	REVISION	APPR BY



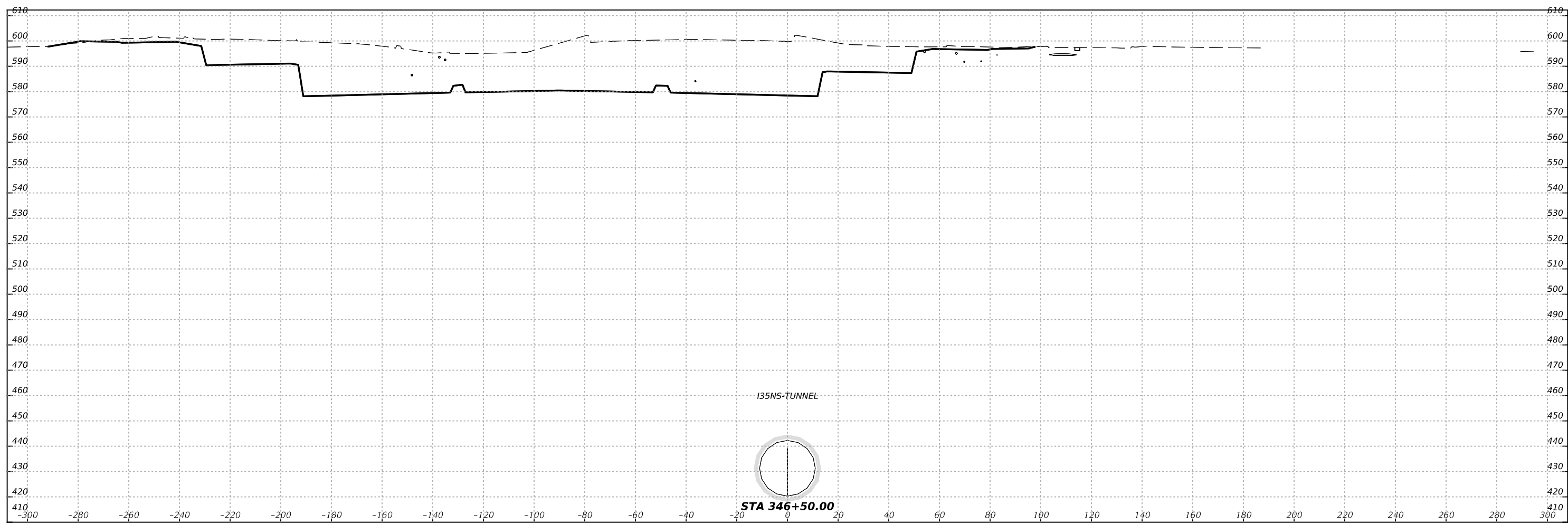
HDR Engineering, Inc.  
 Firm Registration No. F-754  
 710 Hester Crossing, Suite 150  
 Round Rock, Texas 78681



CAPITAL EXPRESS CENTRAL  
 I-35 TUNNEL  
 STA 346+00.00

SCALE: HORIZ: 1"=40'  
 VERT: 1"=40'

CONT	SECT	JOB	HIGHWAY
0015	13	433, ETC.	I-35
DIST COUNTY			SHEET NO.
AUS	TRAVIS		621



NO.	DATE	REVISION	APPR BY



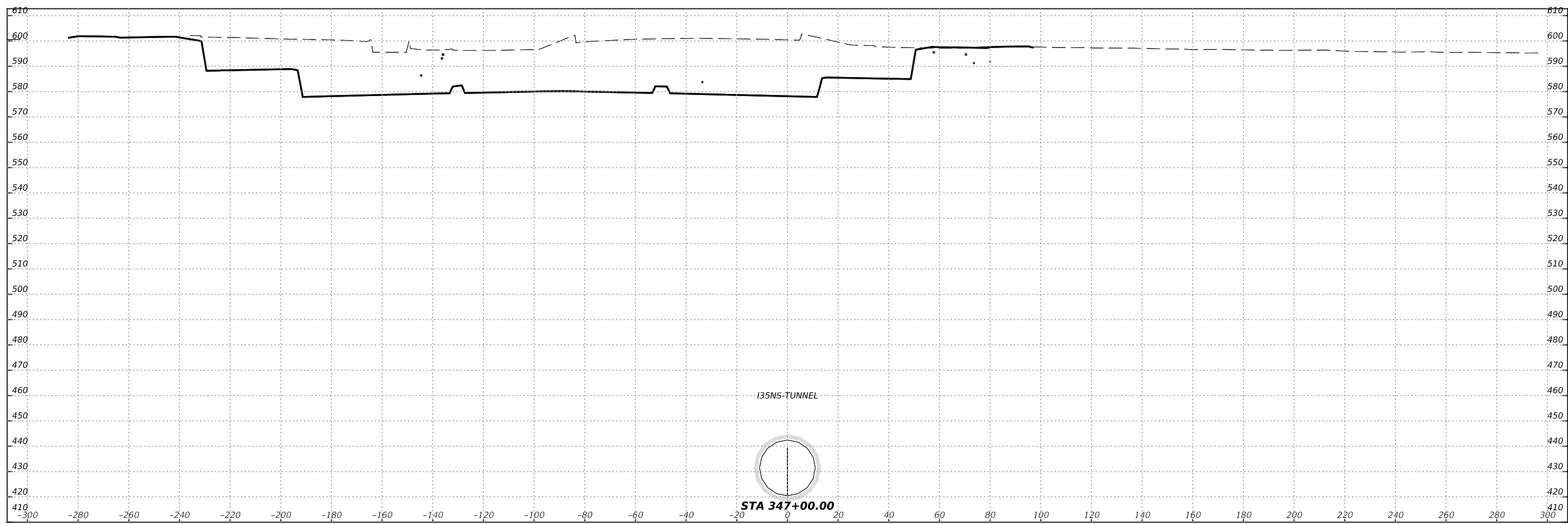
HDR Engineering, Inc.  
 Firm Registration No. F-754  
 710 Hester Crossing, Suite 150  
 Round Rock, Texas 78681



CAPITAL EXPRESS CENTRAL  
 I-35 TUNNEL  
 STA 346+50.00

SCALE: HORIZ: 1"=40'  
 VERT: 1"=40'

CONT	SECT	JOB	HIGHWAY
0015	13	433, ETC.	I-35
DIST COUNTY			SHEET NO.
AUS	TRAVIS		622



NO.	DATE	REVISION	APPR BY



HDR Engineering, Inc.  
 Firm Registration No. F-754  
 710 Hester Crossing, Suite 150  
 Round Rock, Texas 78681

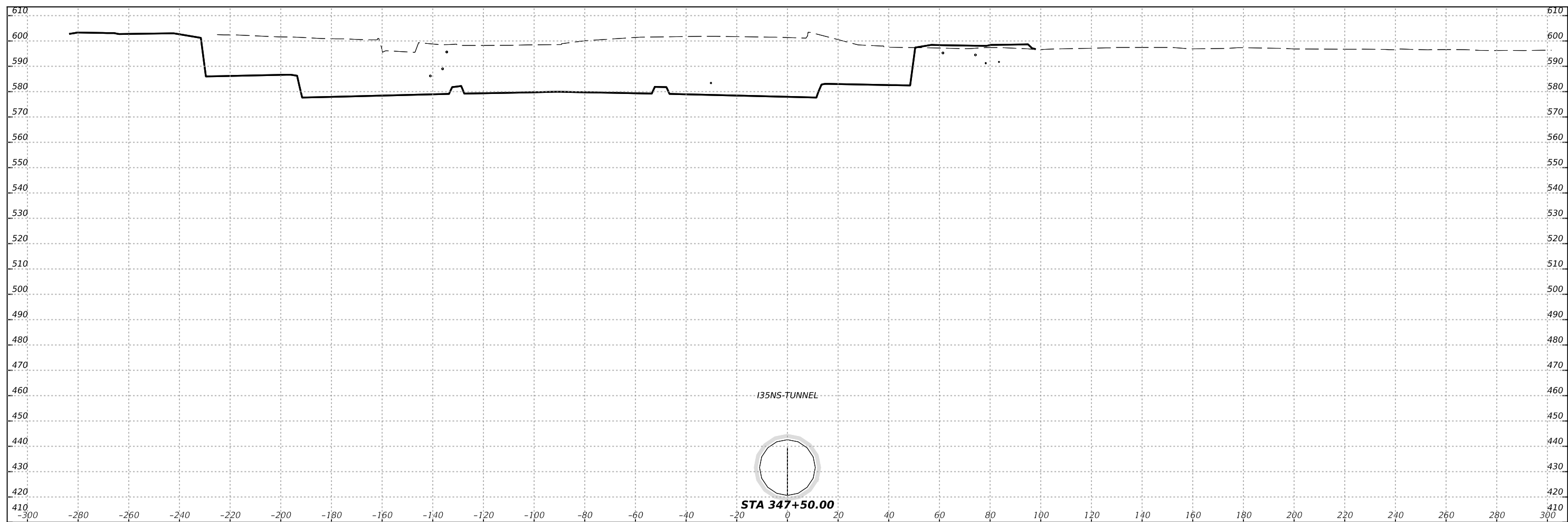


CAPITAL EXPRESS CENTRAL  
 I-35 TUNNEL  
 STA 347+00.00

SCALE: HORIZ: 1"=40'  
 VERT: 1"=40'

CONT	SECT	JOB	HIGHWAY
0015	13	433, ETC.	I-35
DIST COUNTY			SHEET NO.
AUS	TRAVIS		623





NO.	DATE	REVISION	APPR BY



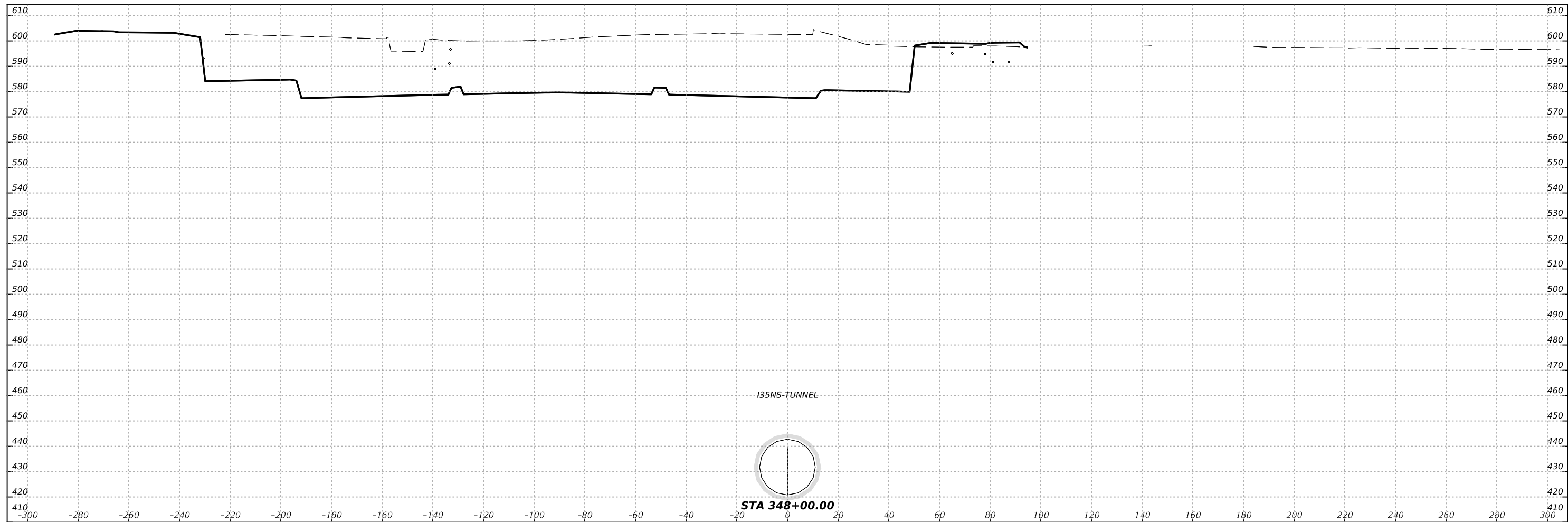
HDR Engineering, Inc.  
 Firm Registration No. F-754  
 710 Hester Crossing, Suite 150  
 Round Rock, Texas 78681



CAPITAL EXPRESS CENTRAL  
 I-35 TUNNEL  
 STA 347+50.00

SCALE: HORIZ: 1"=40'  
 VERT: 1"=40'

CONT	SECT	JOB	HIGHWAY
0015	13	433, ETC.	I-35
DIST	COUNTY		SHEET NO.
AUS	TRAVIS		624



NO.	DATE	REVISION	APPR BY



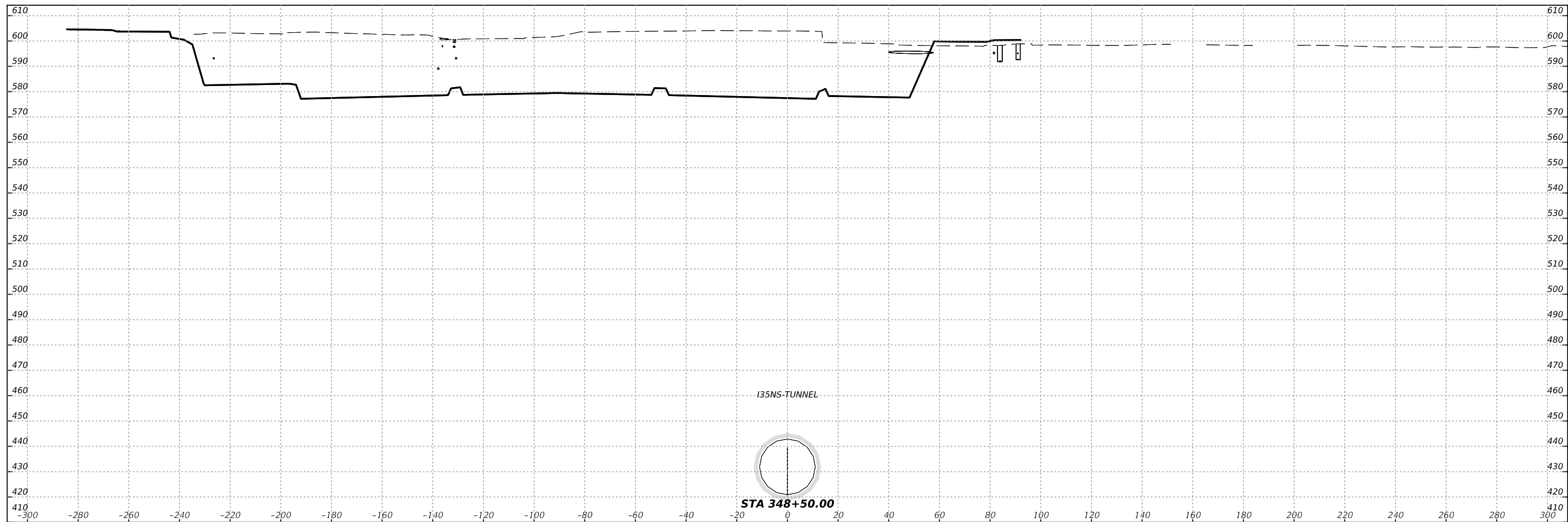
HDR Engineering, Inc.  
 Firm Registration No. F-754  
 710 Hester Crossing, Suite 150  
 Round Rock, Texas 78681



CAPITAL EXPRESS CENTRAL  
 I-35 TUNNEL  
 STA 348+00.00

SCALE: HORIZ: 1"=40'  
 VERT: 1"=40'

CONT	SECT	JOB	HIGHWAY
0015	13	433, ETC.	I-35
DIST	COUNTY		SHEET NO.
AUS	TRAVIS		625



NO.	DATE	REVISION	APPR BY



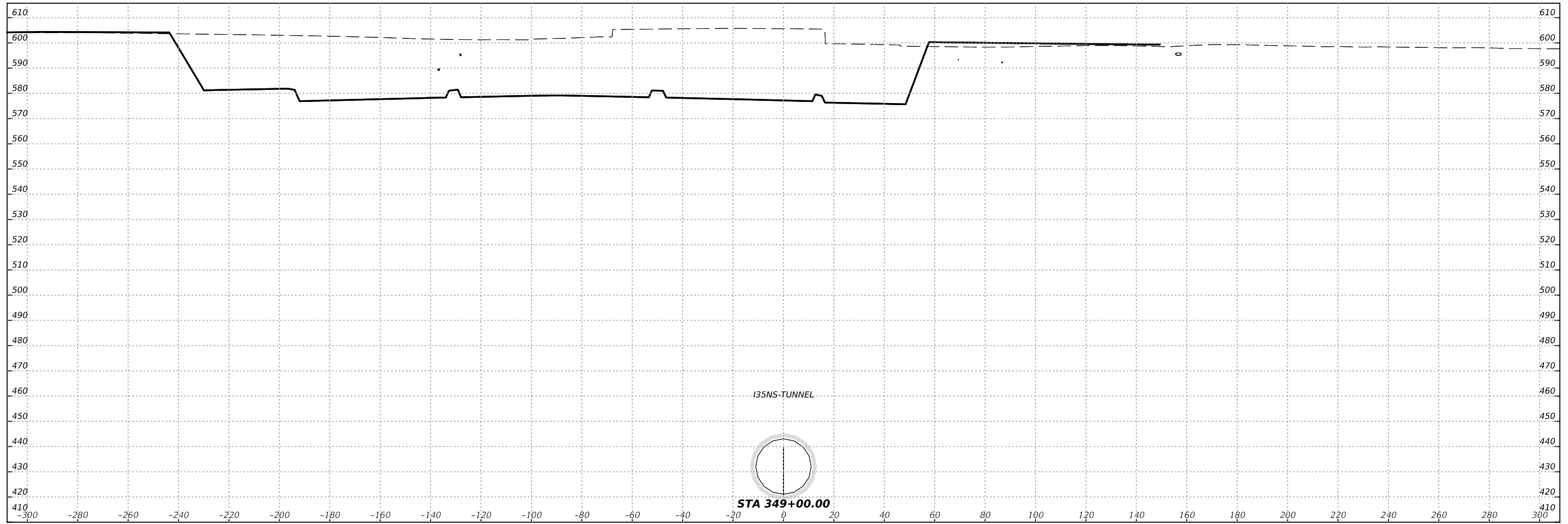
HDR Engineering, Inc.  
 Firm Registration No. F-754  
 710 Hester Crossing, Suite 150  
 Round Rock, Texas 78681



CAPITAL EXPRESS CENTRAL  
 I-35 TUNNEL  
 STA 348+50.00

SCALE: HORIZ: 1"=40'  
 VERT: 1"=40'

CONT	SECT	JOB	HIGHWAY
0015	13	433, ETC.	I-35
DIST			COUNTY
AUS			TRAVIS
SHEET NO.			626



NO.	DATE	REVISION	APPR BY



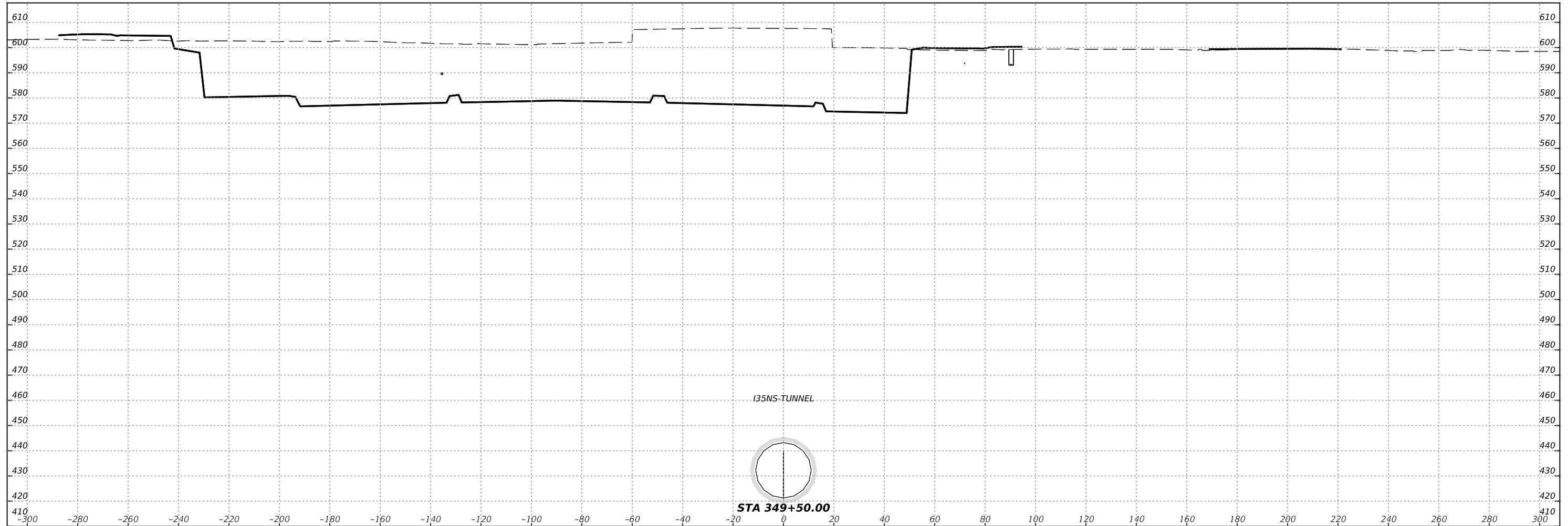
HDR Engineering, Inc.  
 Firm Registration No. F-754  
 710 Hester Crossing, Suite 150  
 Round Rock, Texas 78681



CAPITAL EXPRESS CENTRAL  
 I-35 TUNNEL  
 STA 349+00.00

SCALE: HORIZ: 1"=40'  
 VERT: 1"=40'

CONT	SECT	JOB	HIGHWAY
0015	13	433, ETC.	I-35
DIST COUNTY			SHEET NO.
AUS	TRAVIS	627	



NO.	DATE	REVISION	APPR BY



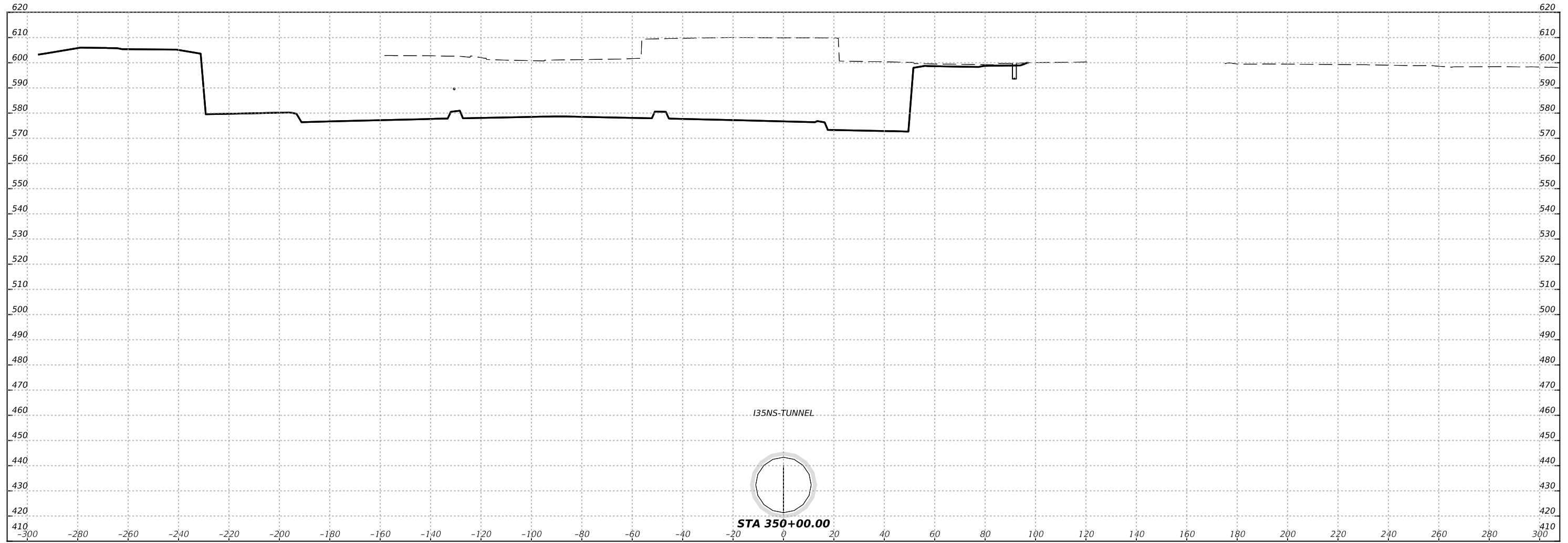
HDR Engineering, Inc.  
 Firm Registration No. F-754  
 710 Hester Crossing, Suite 150  
 Round Rock, Texas 78681



CAPITAL EXPRESS CENTRAL  
 I-35 TUNNEL  
 STA 349+50.00

SCALE: HORIZ: 1"=40'  
 VERT: 1"=40'

CONT	SECT	JOB	HIGHWAY
0015	13	433, ETC.	I-35
DIST	COUNTY		SHEET NO.
AUS	TRAVIS		628



NO.	DATE	REVISION	APPR BY



HDR Engineering, Inc.  
 Firm Registration No. F-754  
 710 Hester Crossing, Suite 150  
 Round Rock, Texas 78681



CAPITAL AREA

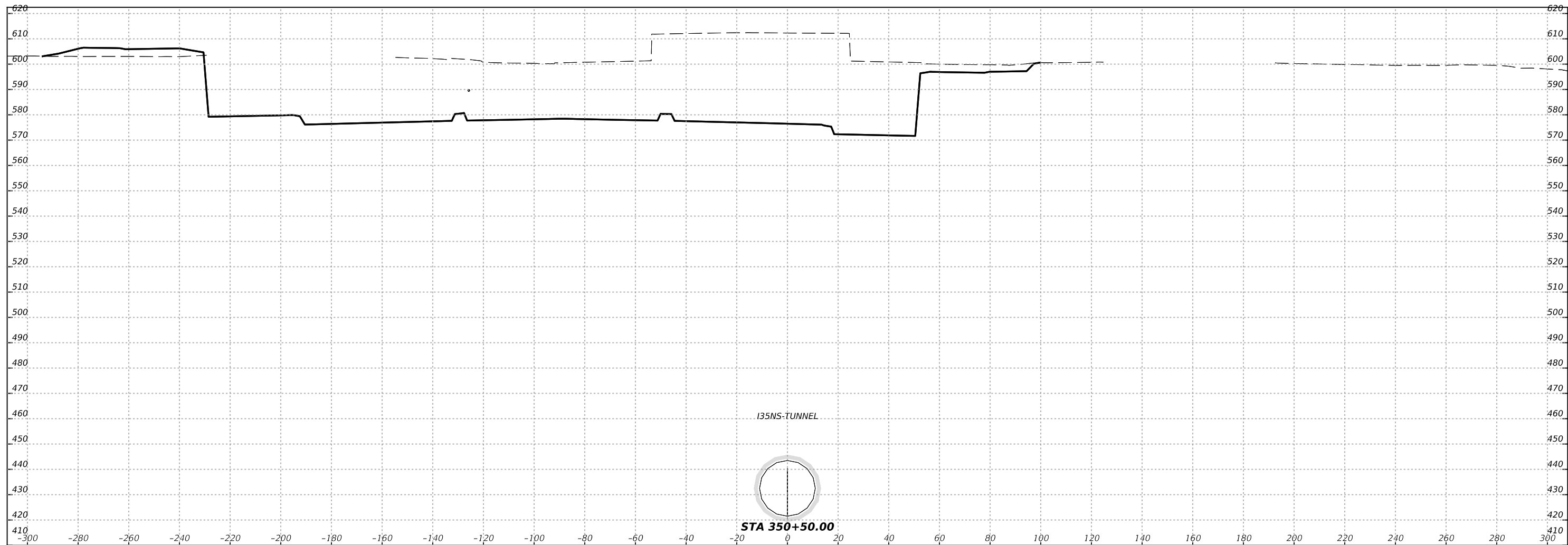


Texas Department of Transportation

**CAPITAL EXPRESS CENTRAL**  
 I-35 TUNNEL  
 STA 350+00.00

SCALE: HORIZ: 1"=40'  
 VERT: 1"=40'

CONT	SECT	JOB	HIGHWAY
0015	13	433, ETC.	I-35
DIST	COUNTY		SHEET NO.
AUS	TRAVIS		629



NO.	DATE	REVISION	APPR BY



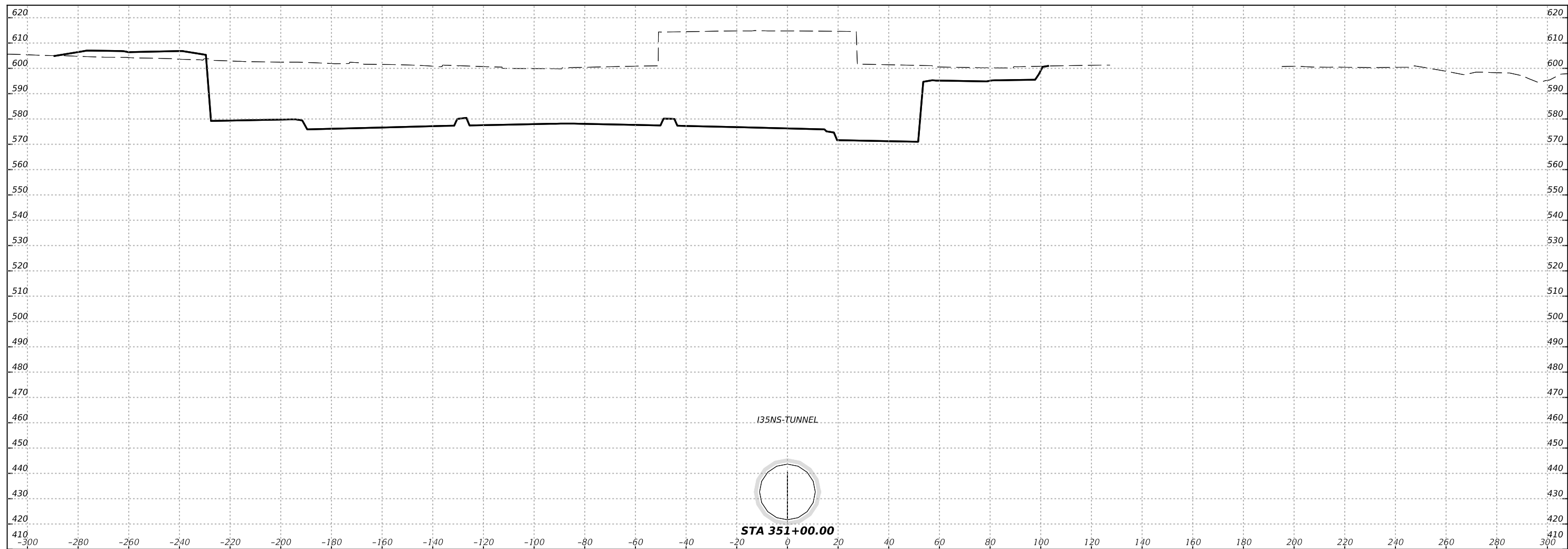
HDR Engineering, Inc.  
 Firm Registration No. F-754  
 710 Hester Crossing, Suite 150  
 Round Rock, Texas 78681



CAPITAL EXPRESS CENTRAL  
 I-35 TUNNEL  
 STA 350+50.00

SCALE: HORIZ: 1"=40'  
 VERT: 1"=40'

CONT	SECT	JOB	HIGHWAY
0015	13	433, ETC.	I-35
DIST	COUNTY	SHEET NO.	
AUS	TRAVIS	630	



NO.	DATE	REVISION	APPR BY



HDR Engineering, Inc.  
 Firm Registration No. F-754  
 710 Hester Crossing, Suite 150  
 Round Rock, Texas 78681

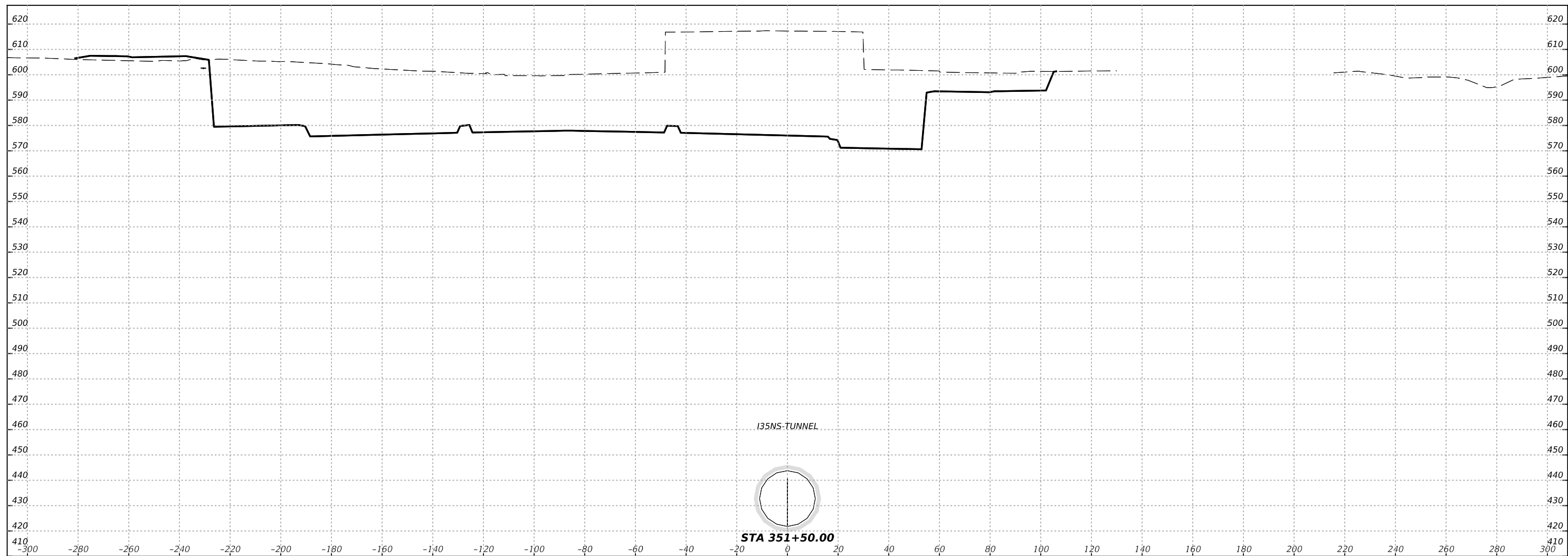


CAPITAL EXPRESS CENTRAL  
 I-35 TUNNEL  
 STA 351+00.00

SCALE: HORIZ: 1"=40'  
 VERT: 1"=40'

CONT	SECT	JOB	HIGHWAY
0015	13	433, ETC.	I-35
DIST	COUNTY		SHEET NO.
AUS	TRAVIS		631





NO.	DATE	REVISION	APPR BY



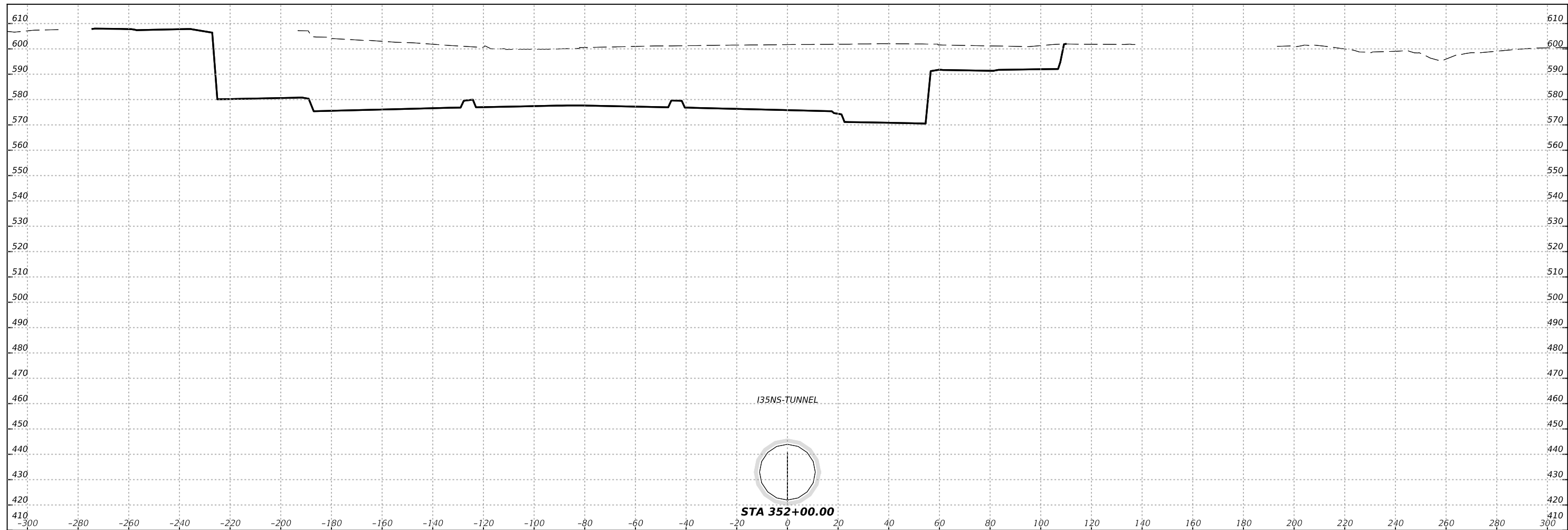
HDR Engineering, Inc.  
 Firm Registration No. F-754  
 710 Hester Crossing, Suite 150  
 Round Rock, Texas 78681



CAPITAL EXPRESS CENTRAL  
 I-35 TUNNEL  
 STA 351+50.00

SCALE: HORIZ: 1"=40'  
 VERT: 1"=40'

CONT	SECT	JOB	HIGHWAY
0015	13	433, ETC.	I-35
DIST	COUNTY		SHEET NO.
AUS	TRAVIS		632



NO.	DATE	REVISION	APPR BY



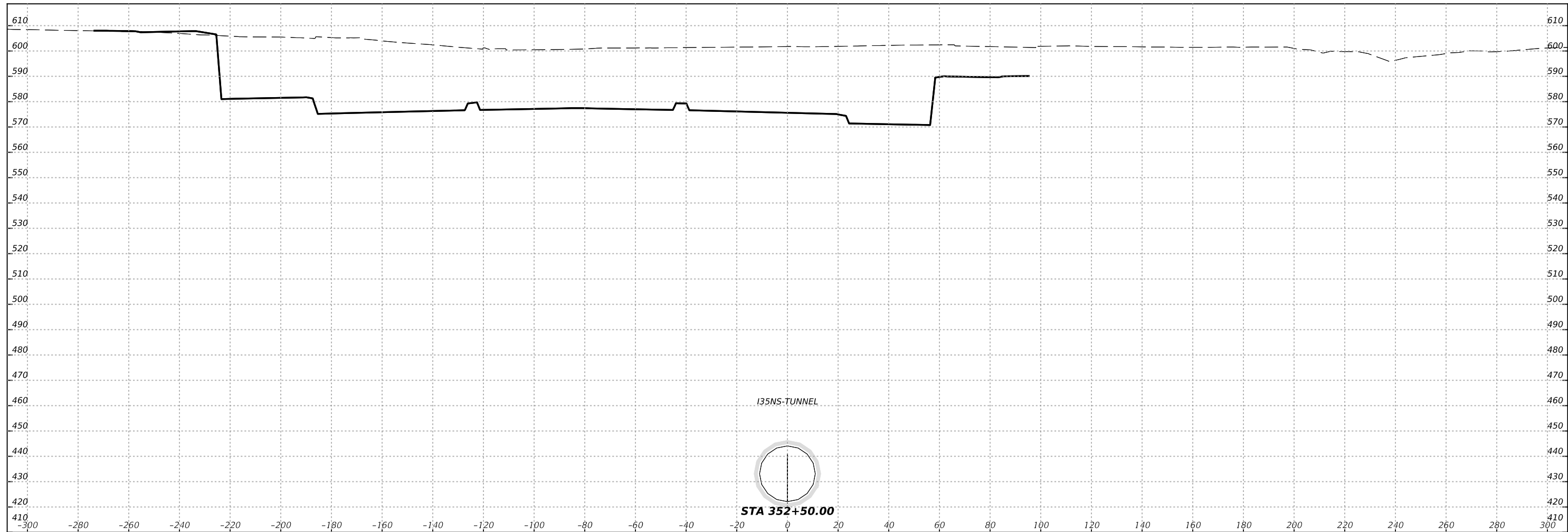
HDR Engineering, Inc.  
 Firm Registration No. F-754  
 710 Hester Crossing, Suite 150  
 Round Rock, Texas 78681



CAPITAL EXPRESS CENTRAL  
 I-35 TUNNEL  
 STA 352+00.00

SCALE: HORIZ: 1"=40'  
 VERT: 1"=40'

CONT	SECT	JOB	HIGHWAY
0015	13	433, ETC.	I-35
DIST	COUNTY		SHEET NO.
AUS	TRAVIS		633



NO.	DATE	REVISION	APPR BY



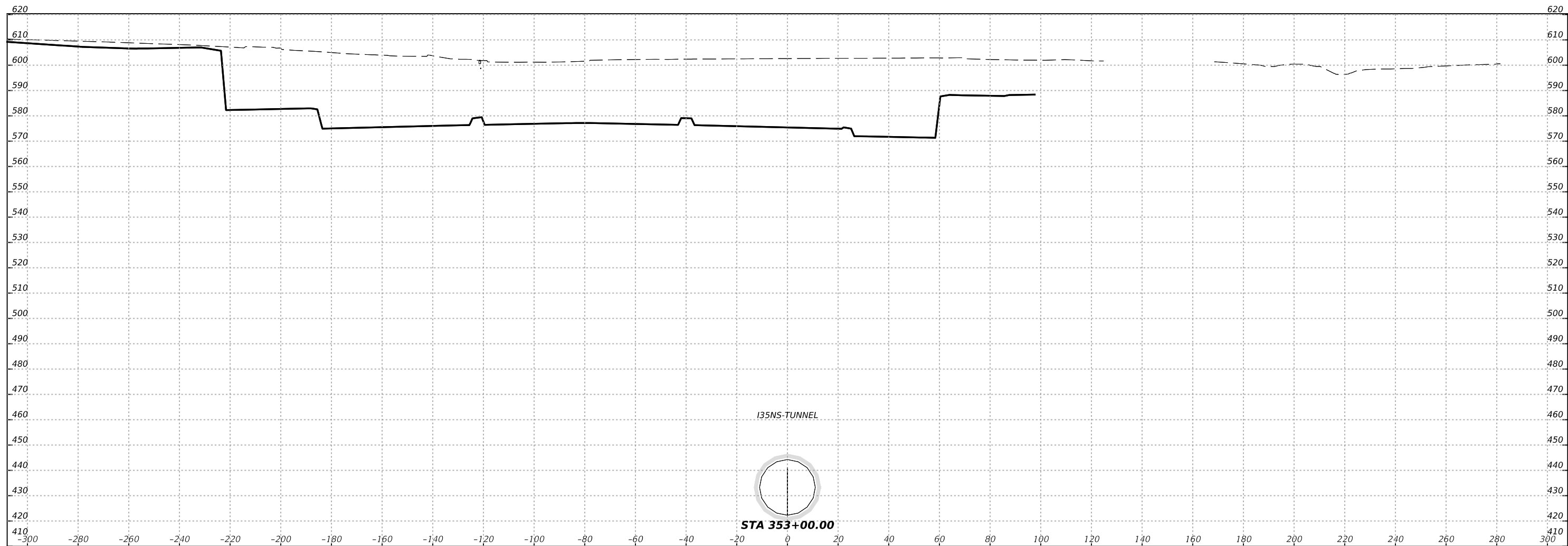
HDR Engineering, Inc.  
 Firm Registration No. F-754  
 710 Hester Crossing, Suite 150  
 Round Rock, Texas 78681



CAPITAL EXPRESS CENTRAL  
 I-35 TUNNEL  
 STA 352+50.00

SCALE: HORIZ: 1"=40'  
 VERT: 1"=40'

CONT	SECT	JOB	HIGHWAY
0015	13	433, ETC.	I-35
DIST COUNTY			SHEET NO.
AUS	TRAVIS	634	



NO.	DATE	REVISION	APPR BY



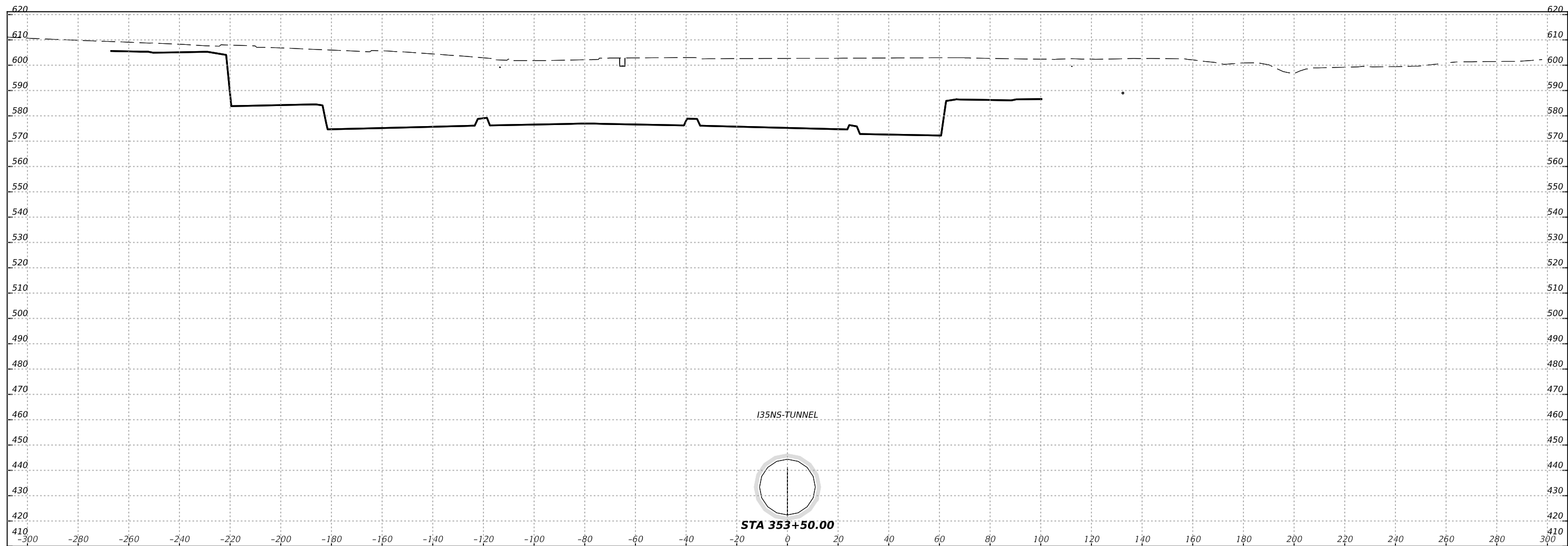
HDR Engineering, Inc.  
 Firm Registration No. F-754  
 710 Hester Crossing, Suite 150  
 Round Rock, Texas 78681



CAPITAL EXPRESS CENTRAL  
 I-35 TUNNEL  
 STA 353+00.00

SCALE: HORIZ: 1"=40'  
 VERT: 1"=40'

CONT	SECT	JOB	HIGHWAY
0015	13	433, ETC.	I-35
DIST	COUNTY	SHEET NO.	
AUS	TRAVIS	635	



NO.	DATE	REVISION	APPR BY



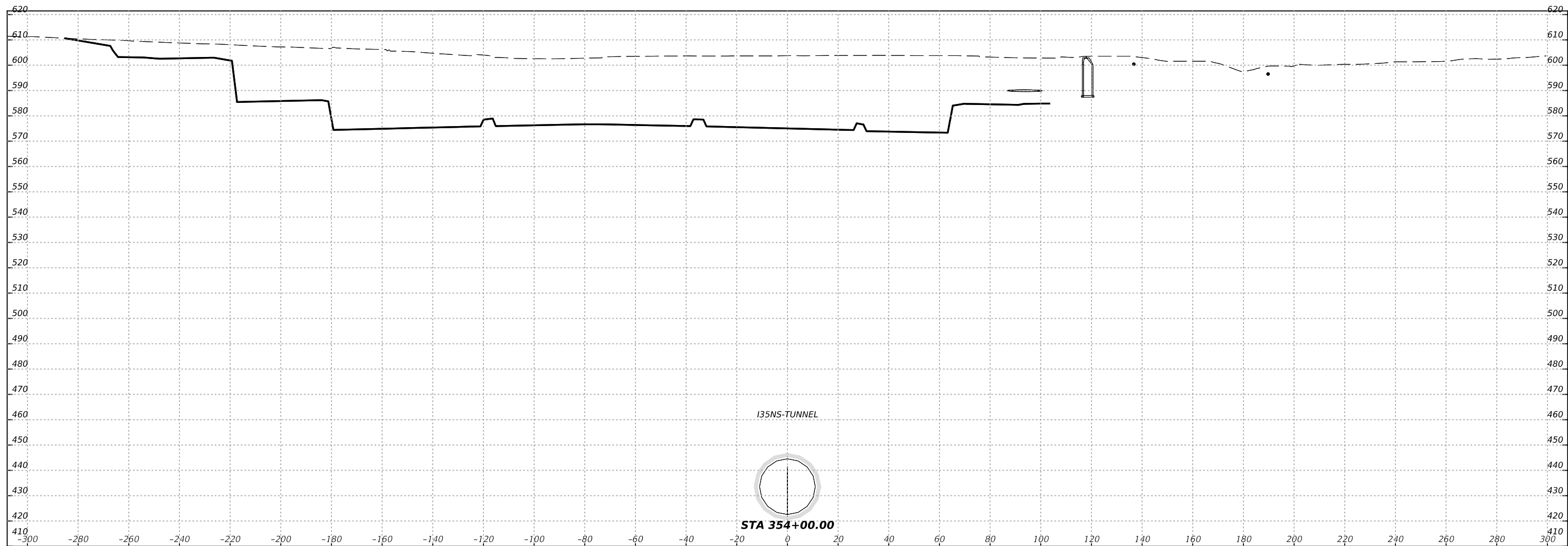
HDR Engineering, Inc.  
 Firm Registration No. F-754  
 710 Hester Crossing, Suite 150  
 Round Rock, Texas 78681



CAPITAL EXPRESS CENTRAL  
 I-35 TUNNEL  
 STA 353+50.00

SCALE: HORIZ: 1"=40'  
 VERT: 1"=40'

CONT	SECT	JOB	HIGHWAY
0015	13	433, ETC.	I-35
DIST	COUNTY		SHEET NO.
AUS	TRAVIS		636



NO.	DATE	REVISION	APPR BY



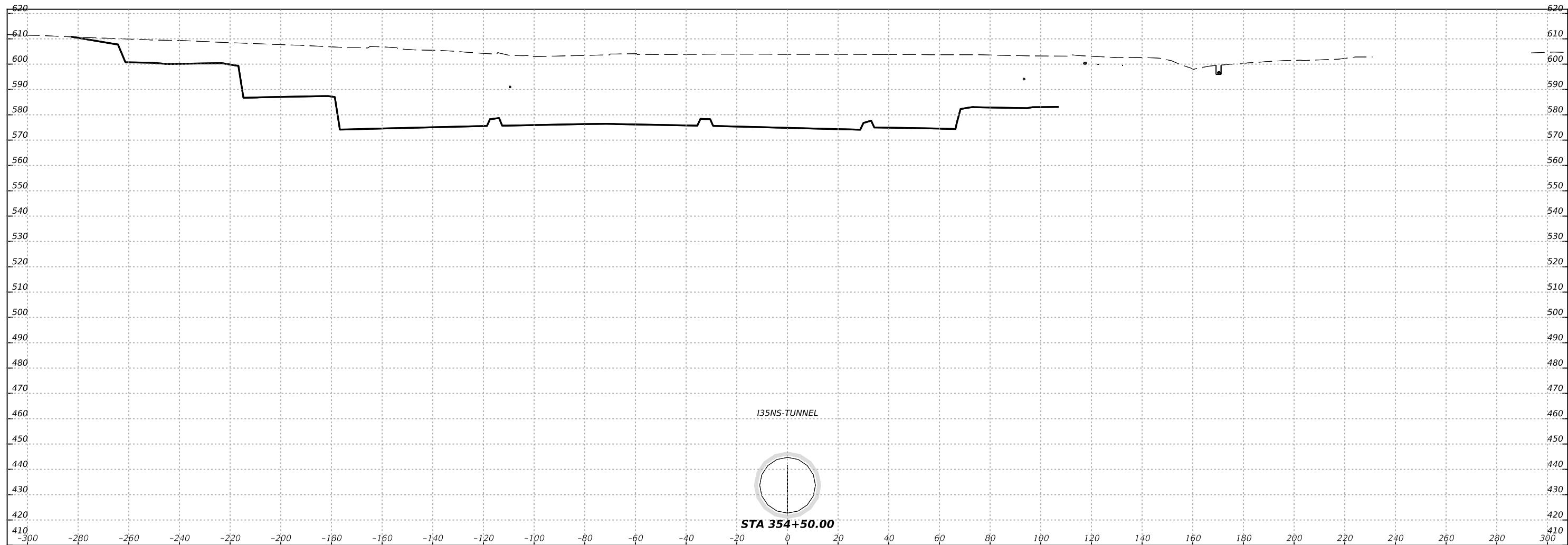
HDR Engineering, Inc.  
 Firm Registration No. F-754  
 710 Hester Crossing, Suite 150  
 Round Rock, Texas 78681



CAPITAL EXPRESS CENTRAL  
 I-35 TUNNEL  
 STA 354+00.00

SCALE: HORIZ: 1"=40'  
 VERT: 1"=40'

CONT	SECT	JOB	HIGHWAY
0015	13	433, ETC.	I-35
DIST	COUNTY		SHEET NO.
AUS	TRAVIS		637



NO.	DATE	REVISION	APPR BY



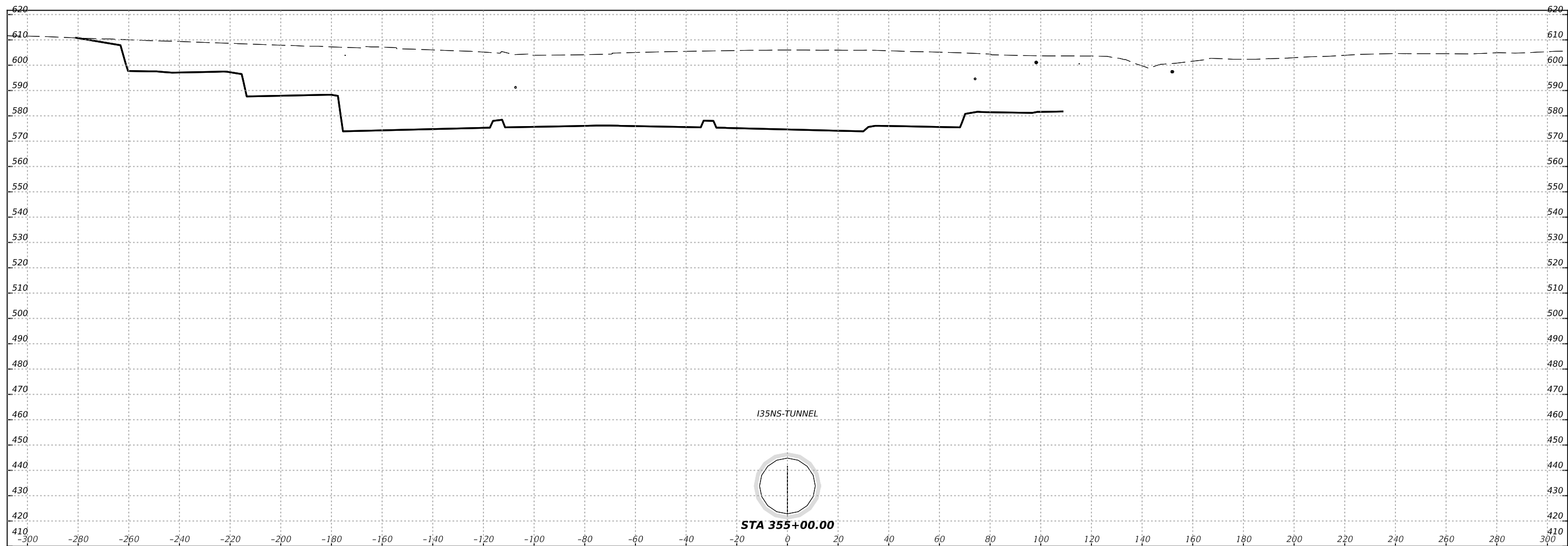
HDR Engineering, Inc.  
 Firm Registration No. F-754  
 710 Hester Crossing, Suite 150  
 Round Rock, Texas 78681



CAPITAL EXPRESS CENTRAL  
 I-35 TUNNEL  
 STA 354+50.00

SCALE: HORIZ: 1"=40'  
 VERT: 1"=40'

CONT	SECT	JOB	HIGHWAY
0015	13	433, ETC.	I-35
DIST	COUNTY		SHEET NO.
AUS	TRAVIS		638



NO.	DATE	REVISION	APPR BY



HDR Engineering, Inc.  
 Firm Registration No. F-754  
 710 Hester Crossing, Suite 150  
 Round Rock, Texas 78681

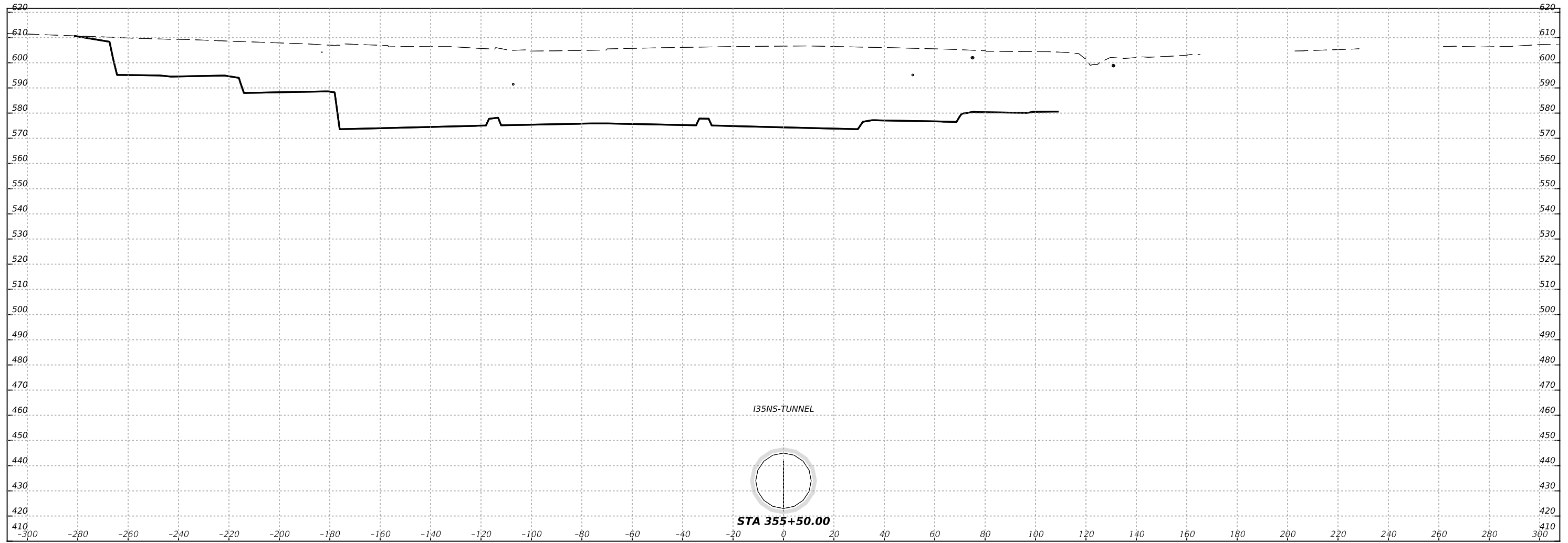


CAPITAL EXPRESS CENTRAL  
 I-35 TUNNEL  
 STA 355+00.00

SCALE: HORIZ: 1"=40'  
 VERT: 1"=40'

CONT	SECT	JOB	HIGHWAY
0015	13	433, ETC.	I-35
DIST	COUNTY		SHEET NO.
AUS	TRAVIS		639





NO.	DATE	REVISION	APPR BY



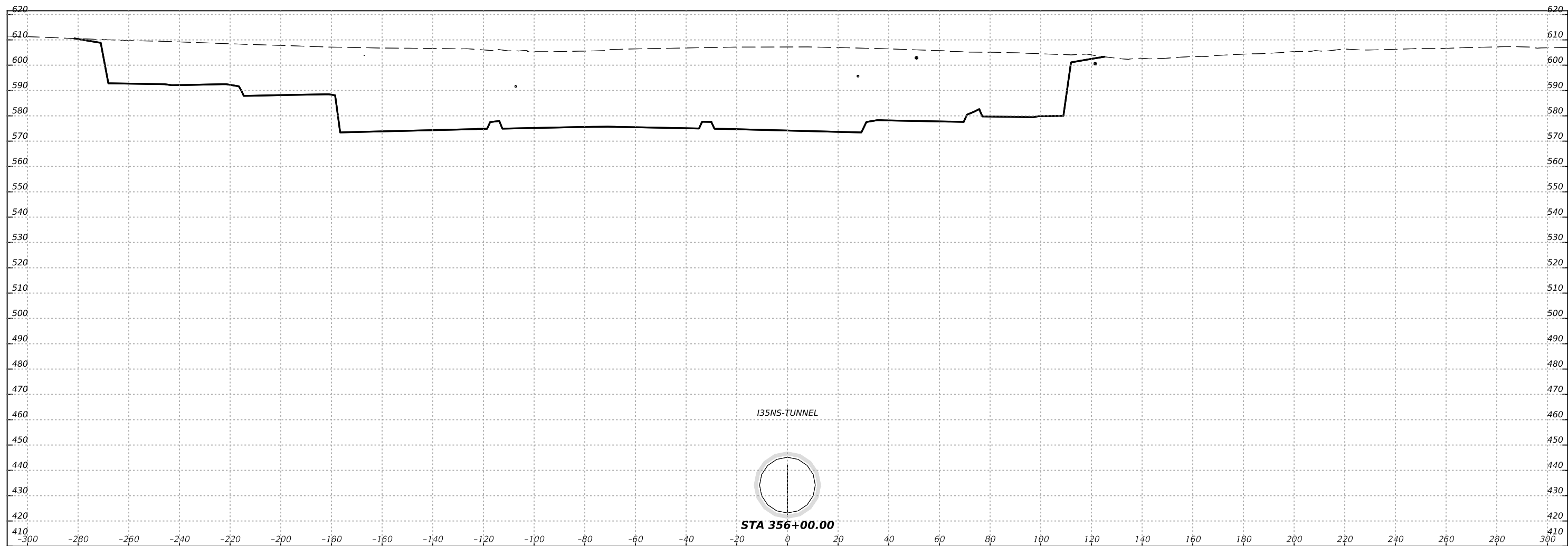
HDR Engineering, Inc.  
 Firm Registration No. F-754  
 710 Hester Crossing, Suite 150  
 Round Rock, Texas 78681



CAPITAL EXPRESS CENTRAL  
 I-35 TUNNEL  
 STA 355+50.00

SCALE: HORIZ: 1"=40'  
 VERT: 1"=40'

CONT	SECT	JOB	HIGHWAY
0015	13	433, ETC.	I-35
DIST	COUNTY		SHEET NO.
AUS	TRAVIS		640



NO.	DATE	REVISION	APPR BY



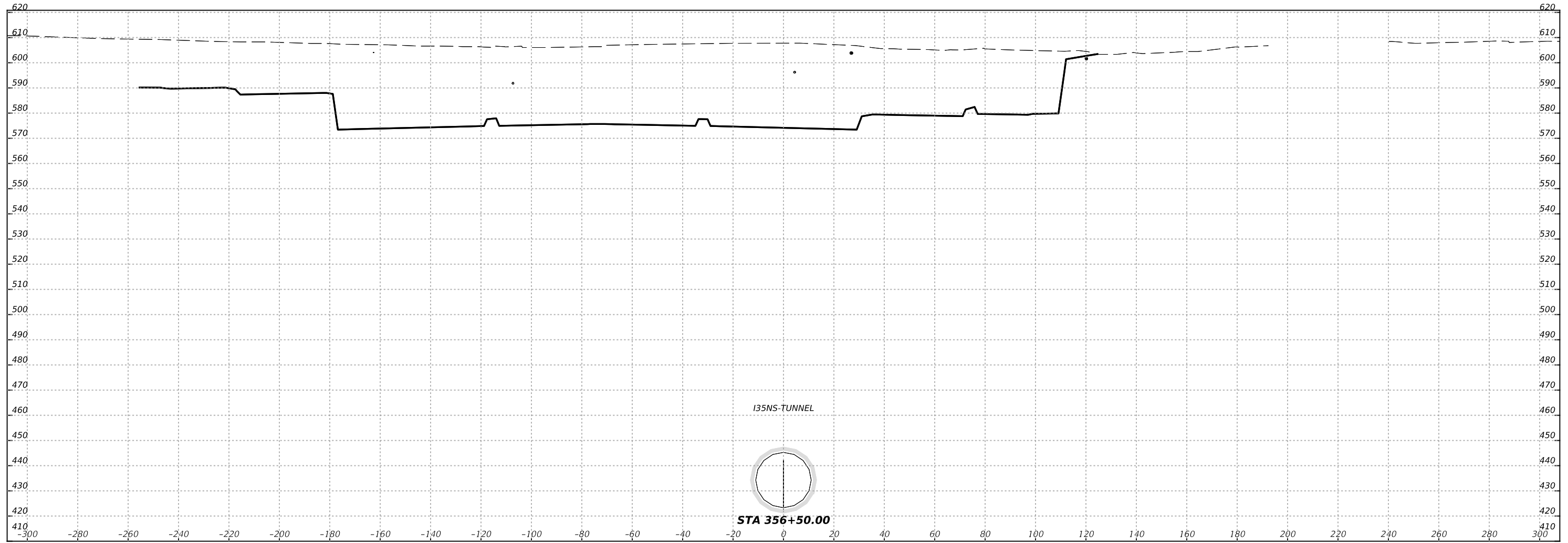
HDR Engineering, Inc.  
 Firm Registration No. F-754  
 710 Hester Crossing, Suite 150  
 Round Rock, Texas 78681



CAPITAL EXPRESS CENTRAL  
 I-35 TUNNEL  
 STA 356+00.00

SCALE: HORIZ: 1"=40'  
 VERT: 1"=40'

CONT	SECT	JOB	HIGHWAY
0015	13	433, ETC.	I-35
DIST			SHEET NO.
AUS	TRAVIS		641



NO.	DATE	REVISION	APPR BY



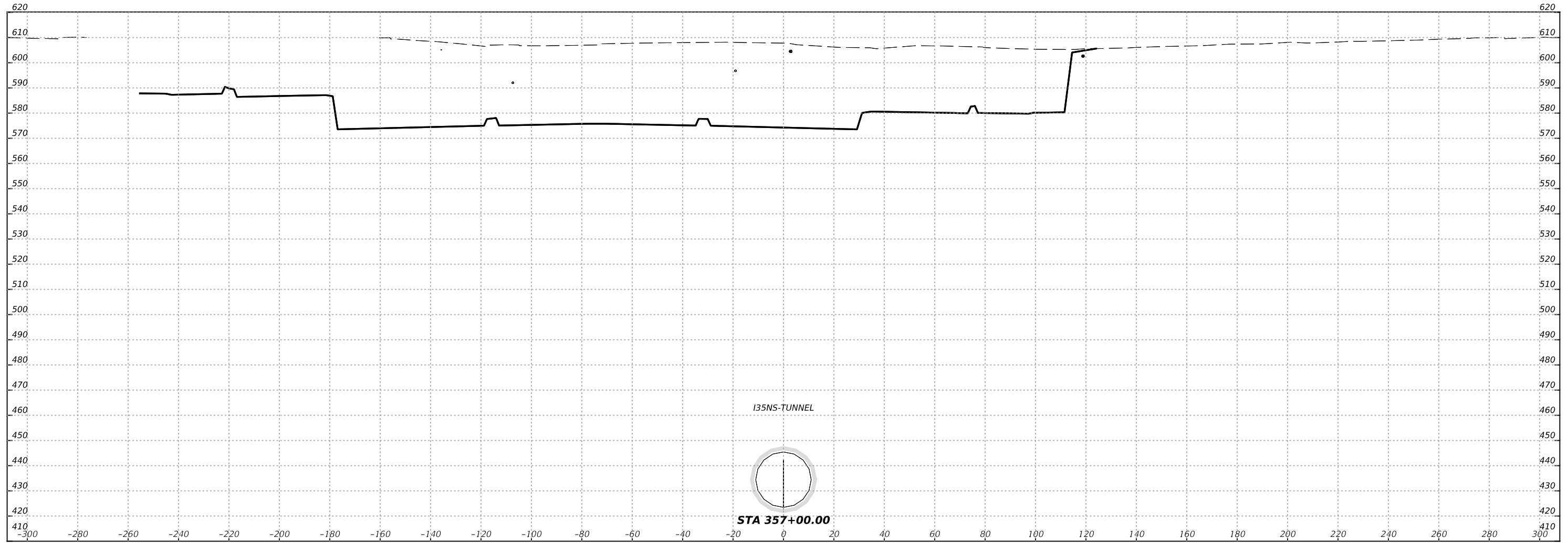
HDR Engineering, Inc.  
 Firm Registration No. F-754  
 710 Hester Crossing, Suite 150  
 Round Rock, Texas 78681



CAPITAL EXPRESS CENTRAL  
 I-35 TUNNEL  
 STA 356+50.00

SCALE: HORIZ: 1"=40'  
 VERT: 1"=40'

CONT	SECT	JOB	HIGHWAY
0015	13	433, ETC.	I-35
DIST	COUNTY		SHEET NO.
AUS	TRAVIS		642



NO.	DATE	REVISION	APPR BY

**HDR**  
 HDR Engineering, Inc.  
 Firm Registration No. F-754  
 710 Hester Crossing, Suite 150  
 Round Rock, Texas 78681

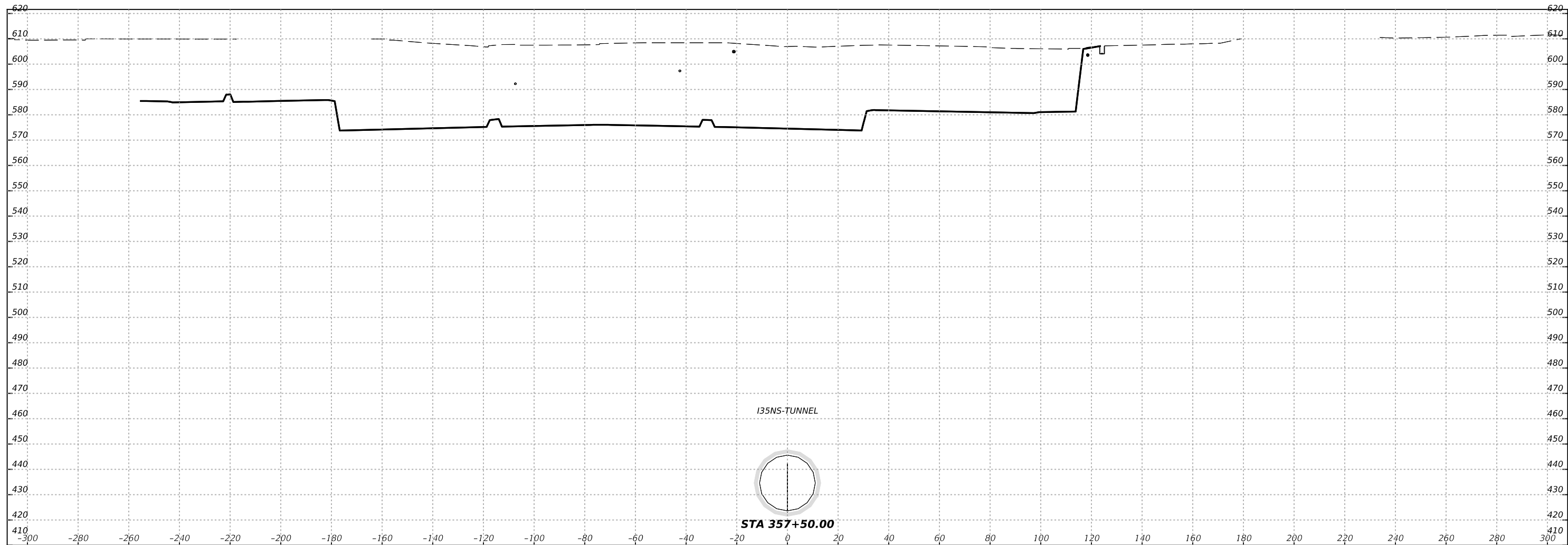
**mobility** CAPITAL AREA  
 35

**Texas Department of Transportation**  
 © 2023

**CAPITAL EXPRESS CENTRAL**  
 @ I-35 TUNNEL  
 STA 357+00.00

SCALE: HORIZ: 1"=40'  
 VERT: 1"=40'

CONT	SECT	JOB	HIGHWAY
0015	13	433, ETC.	I-35
DIST	COUNTY		SHEET NO.
AUS	TRAVIS		643



NO.	DATE	REVISION	APPR BY



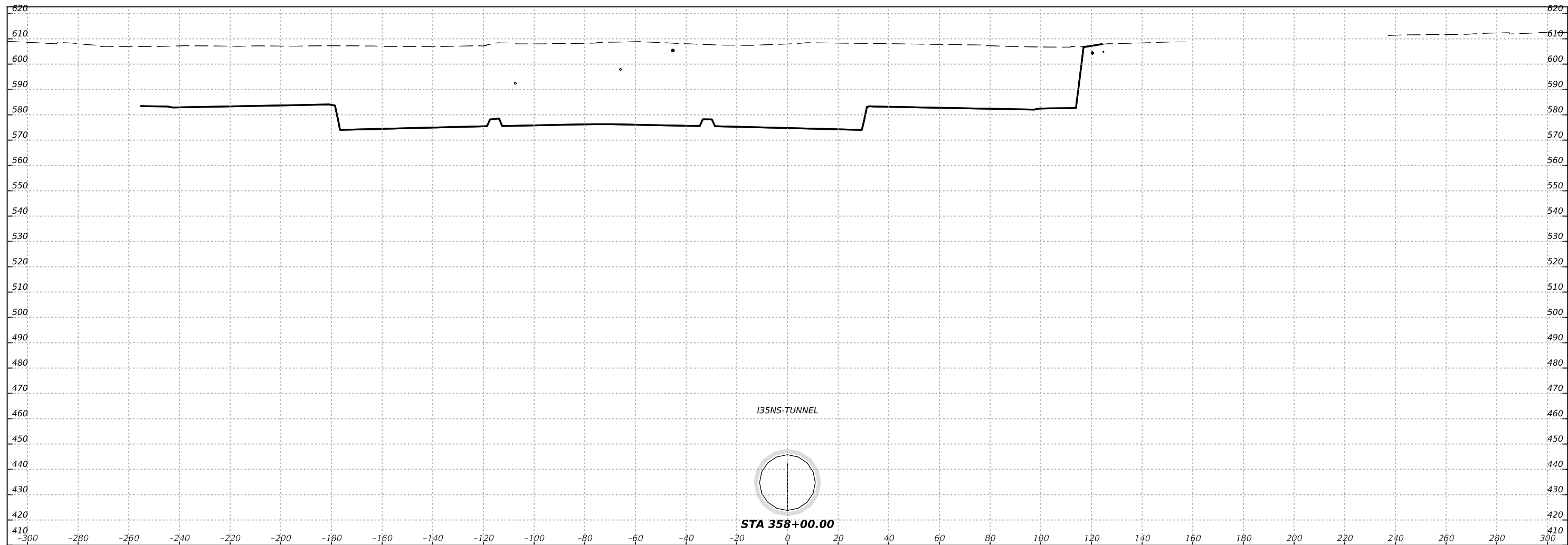
HDR Engineering, Inc.  
 Firm Registration No. F-754  
 710 Hester Crossing, Suite 150  
 Round Rock, Texas 78681



CAPITAL EXPRESS CENTRAL  
 I-35 TUNNEL  
 STA 357+50.00

SCALE: HORIZ: 1"=40'  
 VERT: 1"=40'

CONT	SECT	JOB	HIGHWAY
0015	13	433, ETC.	I-35
DIST	COUNTY		SHEET NO.
AUS	TRAVIS		644



NO.	DATE	REVISION	APPR BY



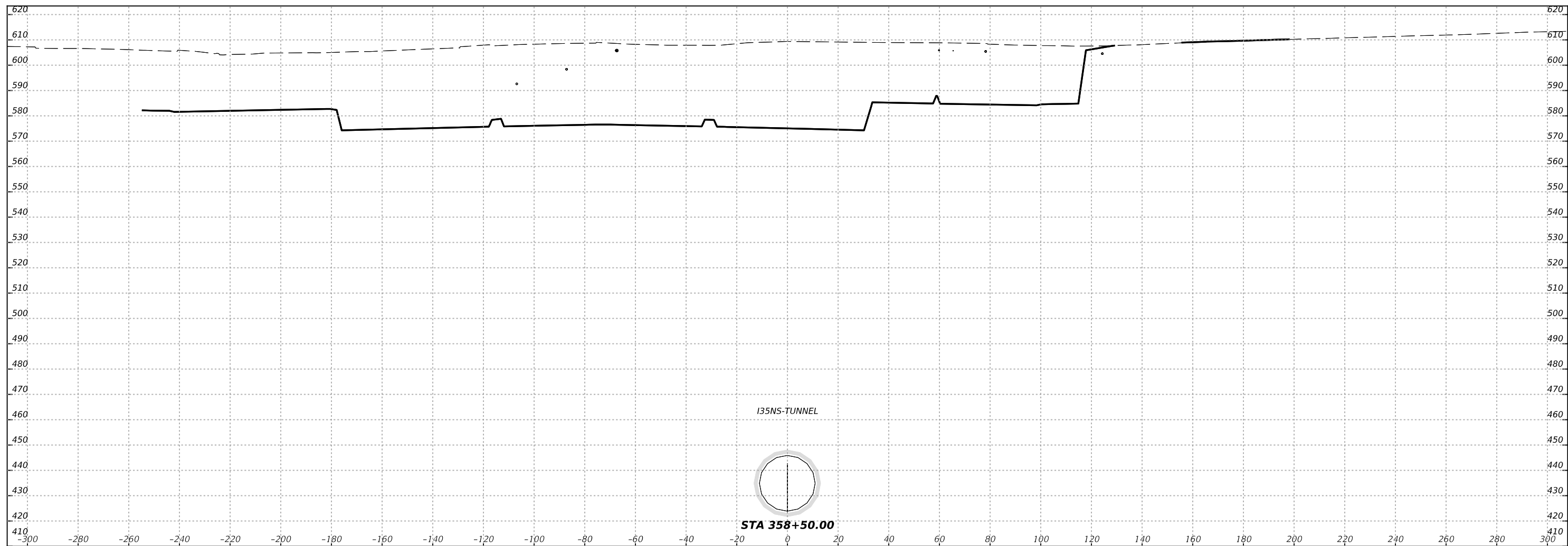
HDR Engineering, Inc.  
 Firm Registration No. F-754  
 710 Hester Crossing, Suite 150  
 Round Rock, Texas 78681



CAPITAL EXPRESS CENTRAL  
 I-35 TUNNEL  
 STA 358+00.00

SCALE: HORIZ: 1"=40'  
 VERT: 1"=40'

CONT	SECT	JOB	HIGHWAY
0015	13	433, ETC.	I-35
DIST	COUNTY		SHEET NO.
AUS	TRAVIS		645



NO.	DATE	REVISION	APPR BY



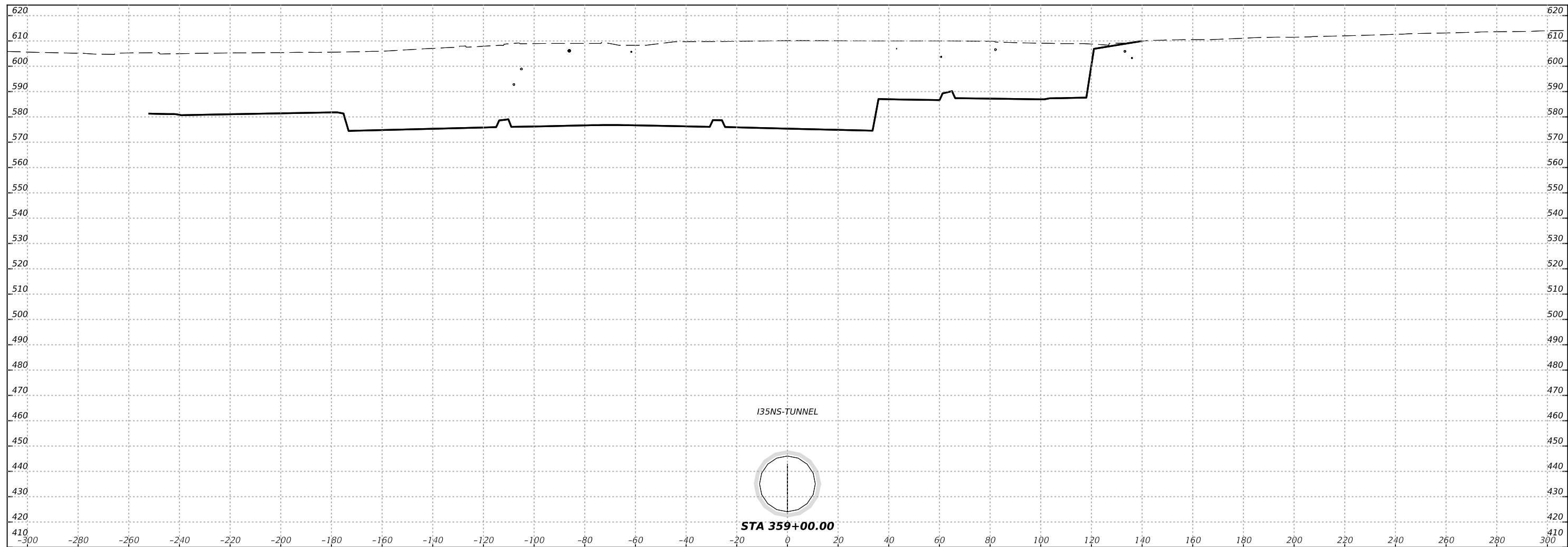
HDR Engineering, Inc.  
Firm Registration No. F-754  
710 Hester Crossing, Suite 150  
Round Rock, Texas 78681



**CAPITAL EXPRESS CENTRAL**  
**☉ I-35 TUNNEL**  
**STA 358+50.00**

SCALE: HORIZ: 1"=40'  
VERT: 1"=40'

CONT	SECT	JOB	HIGHWAY
0015	13	433, ETC.	I-35
DIST	COUNTY		SHEET NO.
AUS	TRAVIS		646



NO.	DATE	REVISION	APPR BY



HDR Engineering, Inc.  
 Firm Registration No. F-754  
 710 Hester Crossing, Suite 150  
 Round Rock, Texas 78681

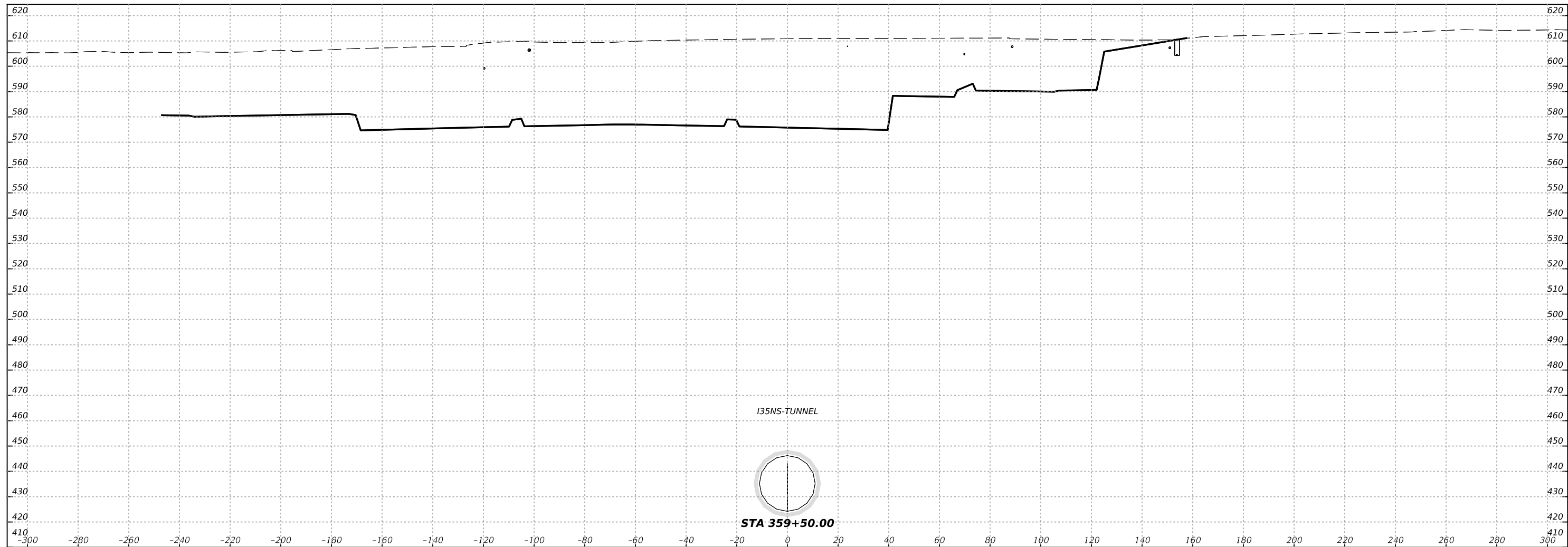


CAPITAL EXPRESS CENTRAL  
 I-35 TUNNEL  
 STA 359+00.00

SCALE: HORIZ: 1"=40'  
 VERT: 1"=40'

CONT	SECT	JOB	HIGHWAY
0015	13	433, ETC.	I-35
DIST	COUNTY		SHEET NO.
AUS	TRAVIS		647





NO.	DATE	REVISION	APPR BY



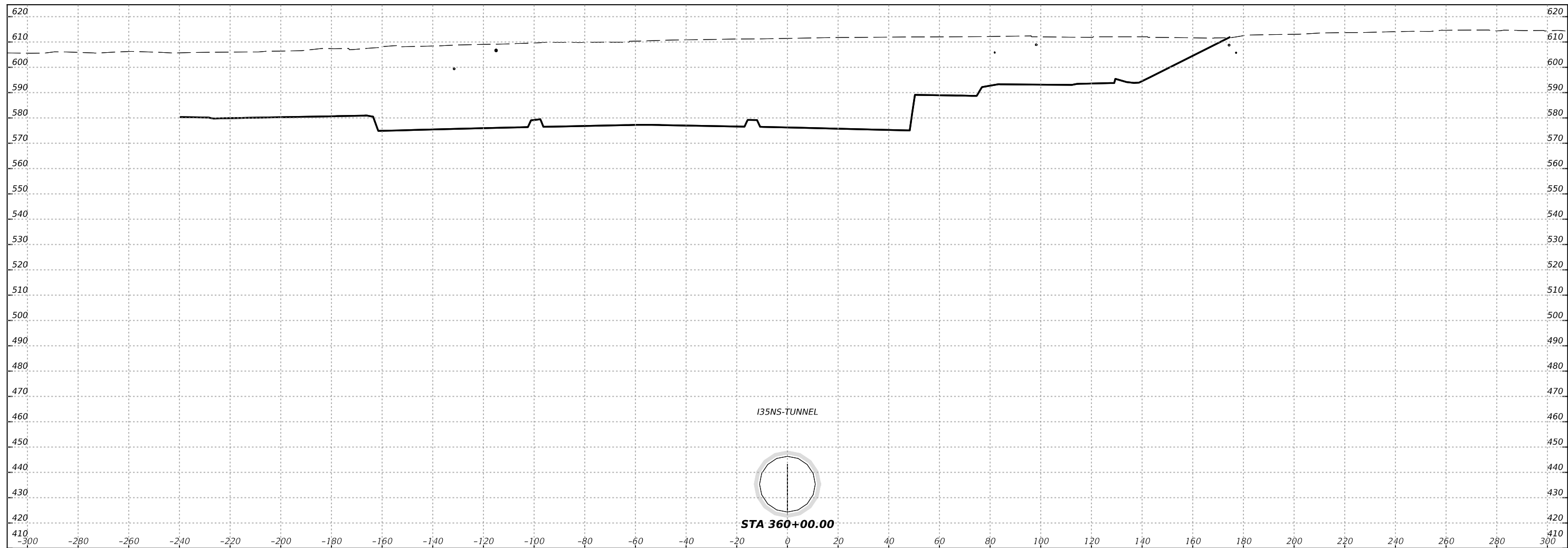
HDR Engineering, Inc.  
 Firm Registration No. F-754  
 710 Hester Crossing, Suite 150  
 Round Rock, Texas 78681



CAPITAL EXPRESS CENTRAL  
 I-35 TUNNEL  
 STA 359+50.00

SCALE: HORIZ: 1"=40'  
 VERT: 1"=40'

CONT	SECT	JOB	HIGHWAY
0015	13	433, ETC.	I-35
DIST	COUNTY		SHEET NO.
AUS	TRAVIS		648



NO.	DATE	REVISION	APPR BY



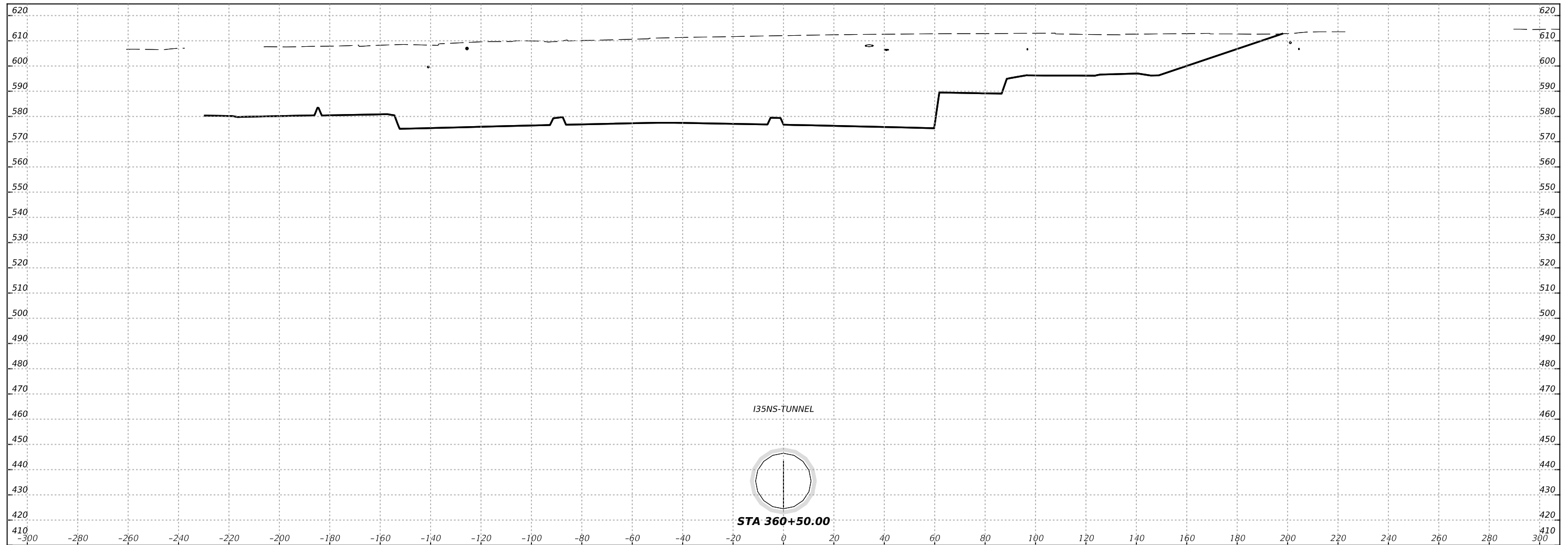
HDR Engineering, Inc.  
 Firm Registration No. F-754  
 710 Hester Crossing, Suite 150  
 Round Rock, Texas 78681



CAPITAL EXPRESS CENTRAL  
 I-35 TUNNEL  
 STA 360+00.00

SCALE: HORIZ: 1"=40'  
 VERT: 1"=40'

CONT	SECT	JOB	HIGHWAY
0015	13	433, ETC.	I-35
DIST	COUNTY		SHEET NO.
AUS	TRAVIS		649



NO.	DATE	REVISION	APPR BY



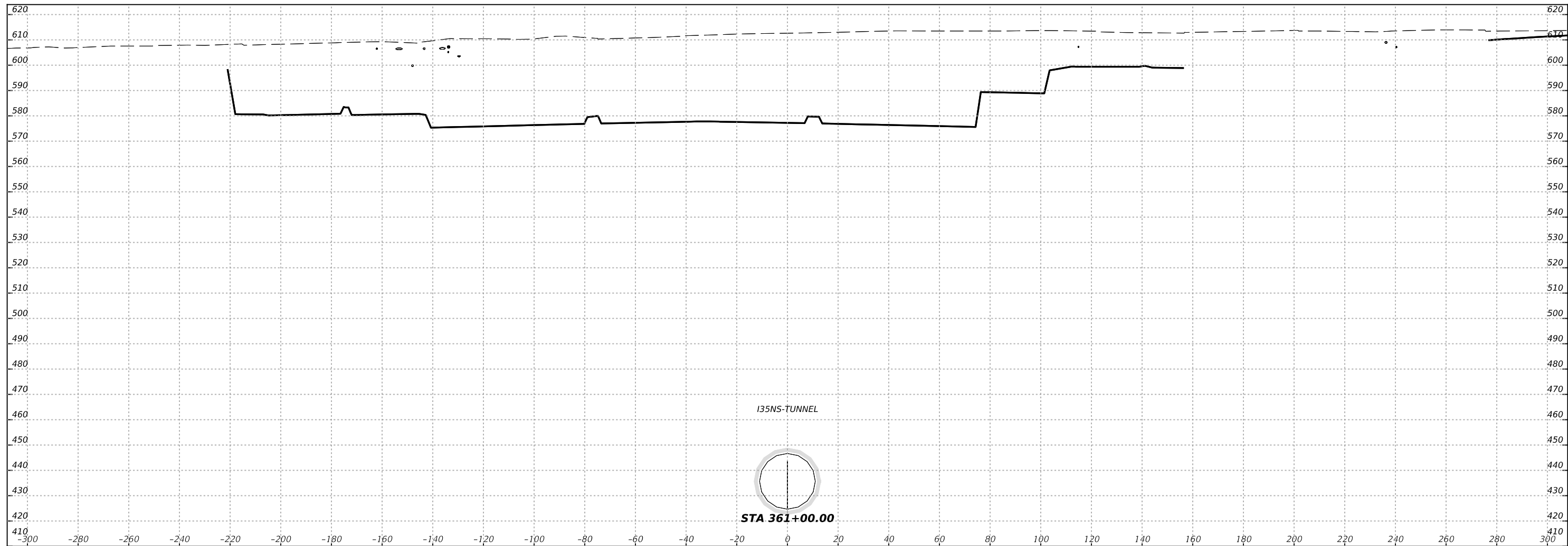
HDR Engineering, Inc.  
 Firm Registration No. F-754  
 710 Hester Crossing, Suite 150  
 Round Rock, Texas 78681



CAPITAL EXPRESS CENTRAL  
 I-35 TUNNEL  
 STA 360+50.00

SCALE: HORIZ: 1"=40'  
 VERT: 1"=40'

CONT	SECT	JOB	HIGHWAY
0015	13	433, ETC.	I-35
DIST	COUNTY		SHEET NO.
AUS	TRAVIS		650



NO.	DATE	REVISION	APPR BY



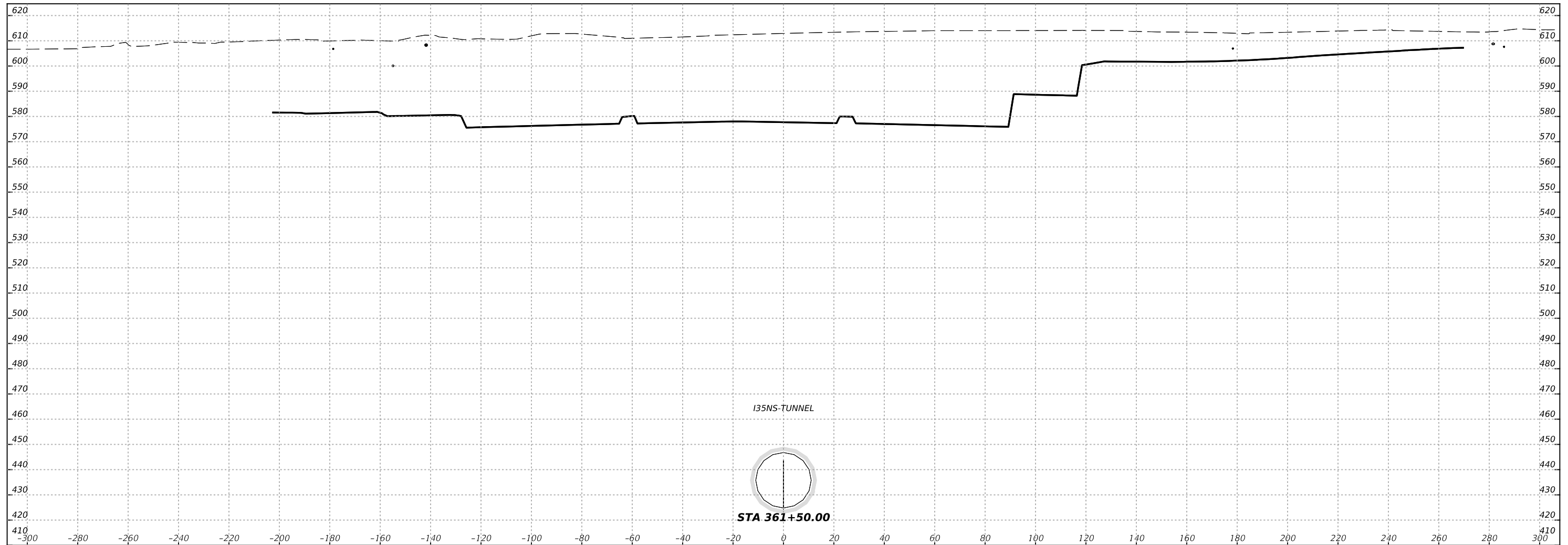
HDR Engineering, Inc.  
 Firm Registration No. F-754  
 710 Hester Crossing, Suite 150  
 Round Rock, Texas 78681



CAPITAL EXPRESS CENTRAL  
 I-35 TUNNEL  
 STA 361+00.00

SCALE: HORIZ: 1"=40'  
 VERT: 1"=40'

CONT	SECT	JOB	HIGHWAY
0015	13	433, ETC.	I-35
DIST	COUNTY		SHEET NO.
AUS	TRAVIS		651



NO.	DATE	REVISION	APPR BY



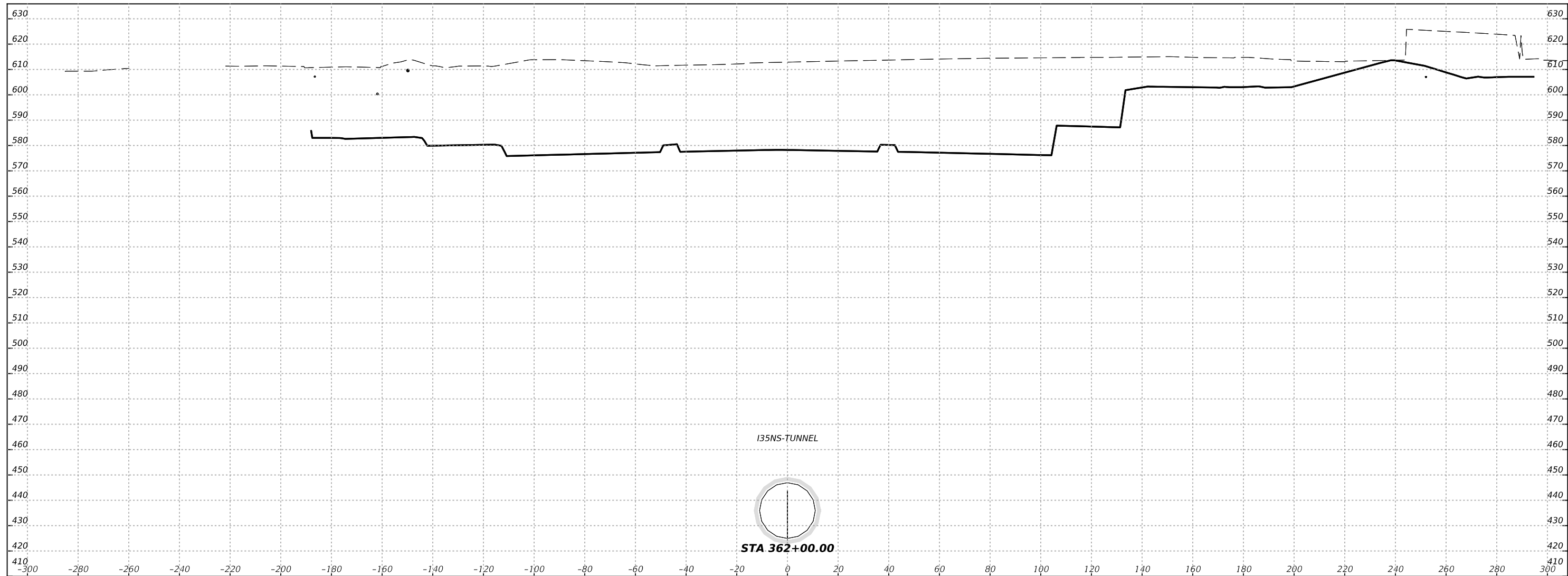
HDR Engineering, Inc.  
 Firm Registration No. F-754  
 710 Hester Crossing, Suite 150  
 Round Rock, Texas 78681



CAPITAL EXPRESS CENTRAL  
 I-35 TUNNEL  
 STA 361+50.00

SCALE: HORIZ: 1"=40'  
 VERT: 1"=40'

CONT	SECT	JOB	HIGHWAY
0015	13	433, ETC.	I-35
DIST	COUNTY		SHEET NO.
AUS	TRAVIS		652



NO.	DATE	REVISION	APPR BY



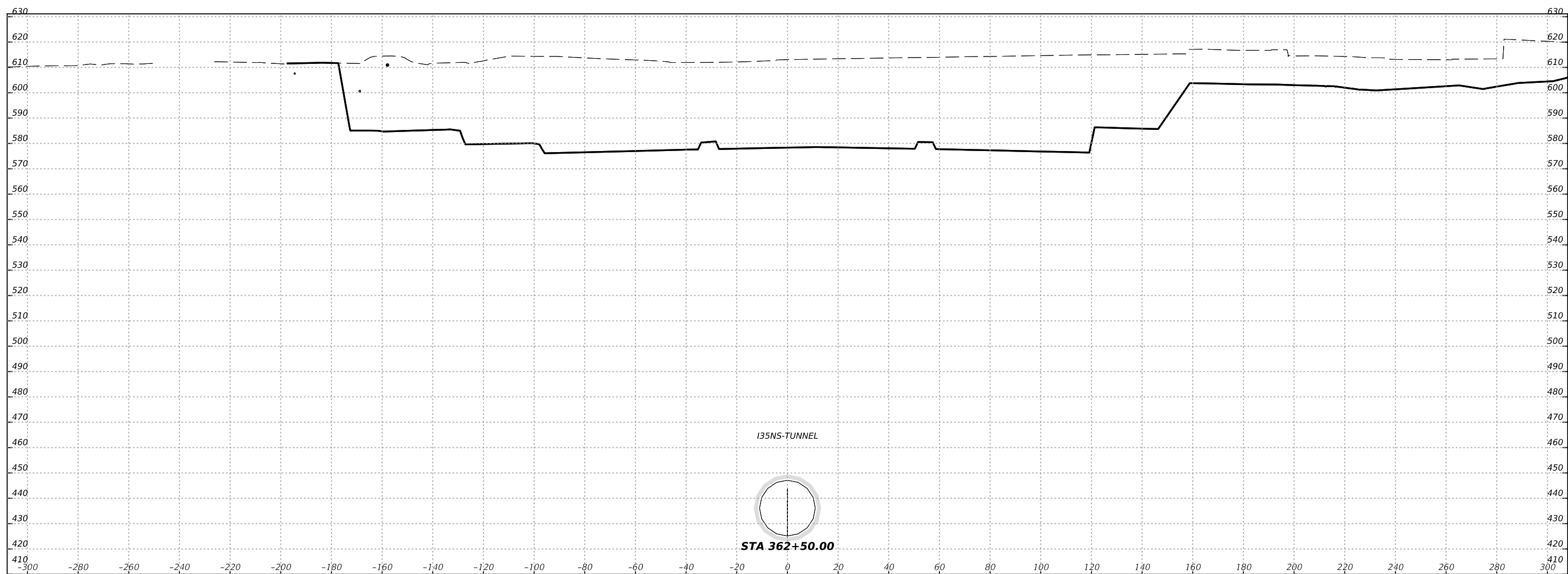
HDR Engineering, Inc.  
 Firm Registration No. F-754  
 710 Hester Crossing, Suite 150  
 Round Rock, Texas 78681



CAPITAL EXPRESS CENTRAL  
 I-35 TUNNEL  
 STA 362+00.00

SCALE: HORIZ: 1"=40'  
 VERT: 1"=40'

CONT	SECT	JOB	HIGHWAY
0015	13	433, ETC.	I-35
DIST	COUNTY		SHEET NO.
AUS	TRAVIS		653



NO.	DATE	REVISION	APPR BY



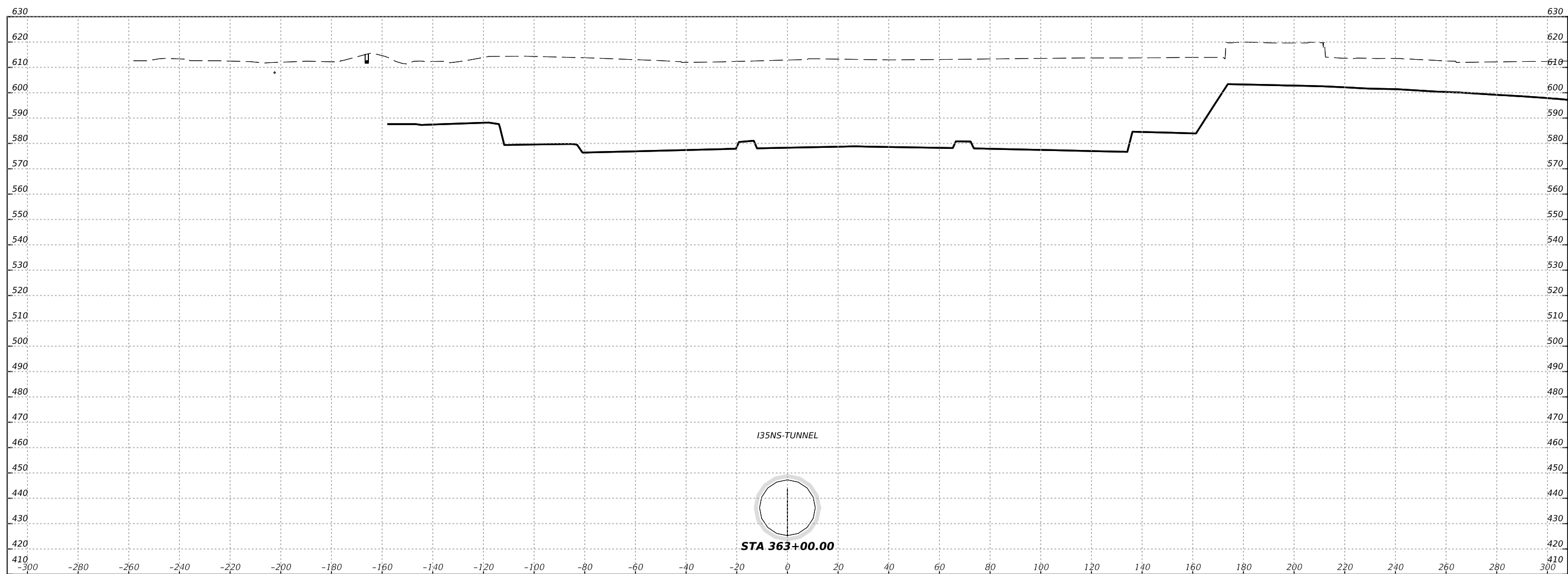
HDR Engineering, Inc.  
 Firm Registration No. F-754  
 710 Hester Crossing, Suite 150  
 Round Rock, Texas 78681



CAPITAL EXPRESS CENTRAL  
 I-35 TUNNEL  
 STA 362+50.00

SCALE: HORIZ: 1"=40'  
 VERT: 1"=40'

CONT	SECT	JOB	HIGHWAY
0015	13	433, ETC.	I-35
DIST	COUNTY		SHEET NO.
AUS	TRAVIS		654



NO.	DATE	REVISION	APPR BY



HDR Engineering, Inc.  
 Firm Registration No. F-754  
 710 Hester Crossing, Suite 150  
 Round Rock, Texas 78681

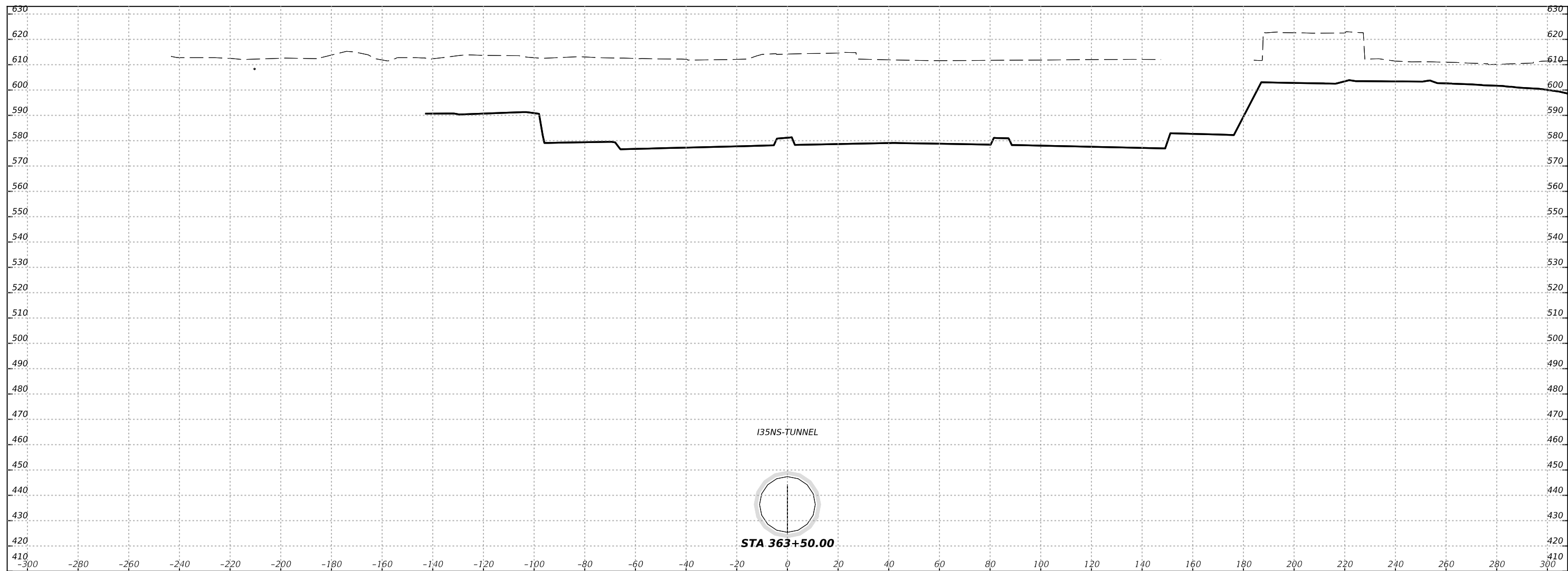


CAPITAL EXPRESS CENTRAL  
 I-35 TUNNEL  
 STA 363+00.00

SCALE: HORIZ: 1"=40'  
 VERT: 1"=40'

CONT	SECT	JOB	HIGHWAY
0015	13	433, ETC.	I-35
DIST	COUNTY		SHEET NO.
AUS	TRAVIS		655





NO.	DATE	REVISION	APPR BY



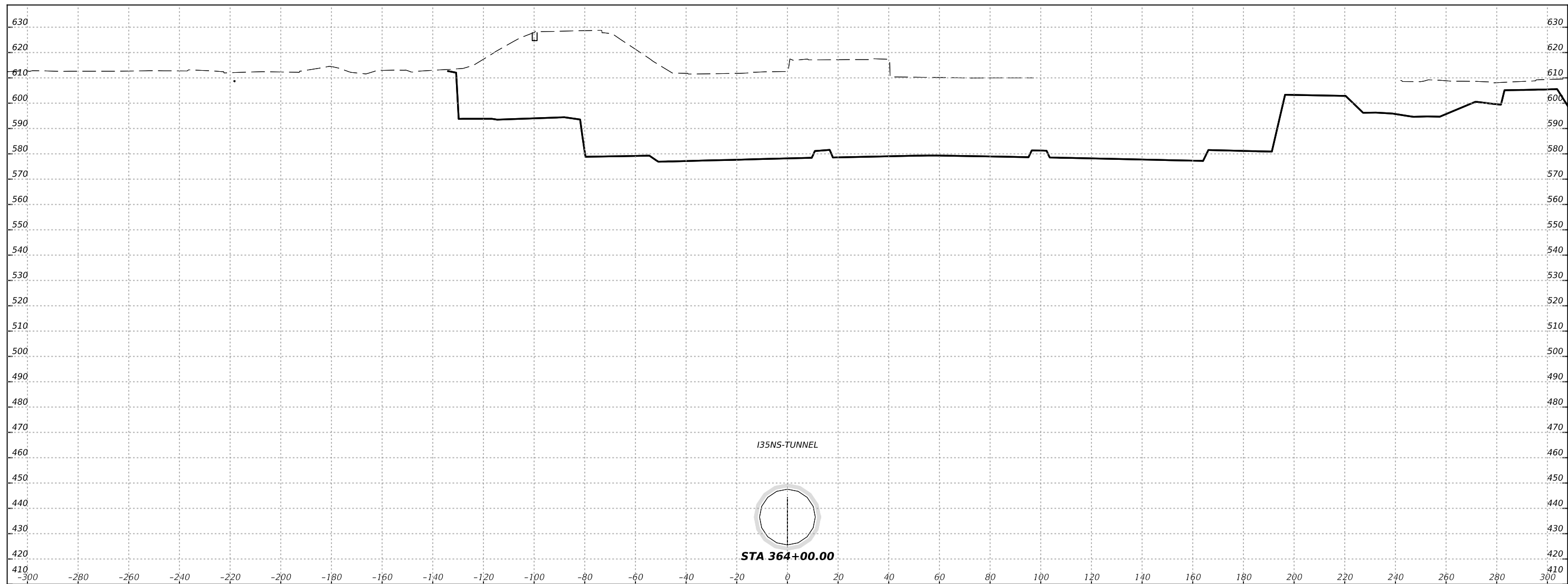
HDR Engineering, Inc.  
 Firm Registration No. F-754  
 710 Hester Crossing, Suite 150  
 Round Rock, Texas 78681



CAPITAL EXPRESS CENTRAL  
 I-35 TUNNEL  
 STA 363+50.00

SCALE: HORIZ: 1"=40'  
 VERT: 1"=40'

CONT	SECT	JOB	HIGHWAY
0015	13	433, ETC.	I-35
DIST	COUNTY		SHEET NO.
AUS	TRAVIS		656



NO.	DATE	REVISION	APPR BY



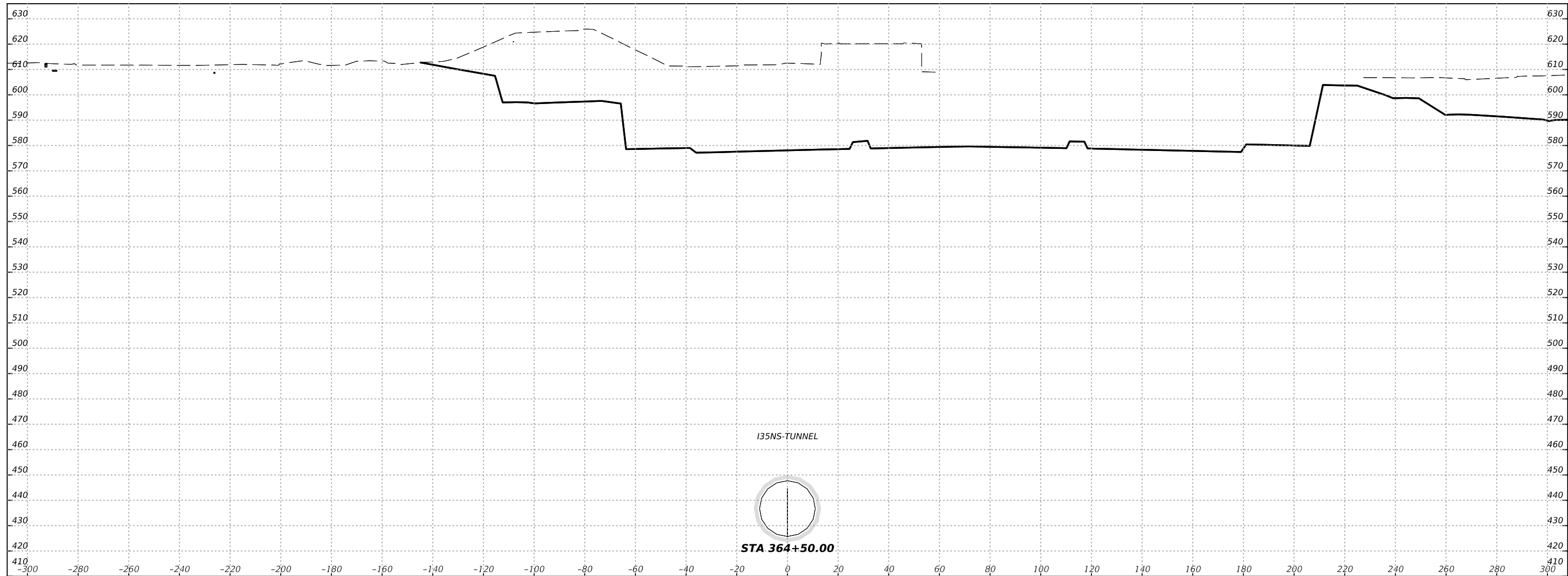
HDR Engineering, Inc.  
 Firm Registration No. F-754  
 710 Hester Crossing, Suite 150  
 Round Rock, Texas 78681



CAPITAL EXPRESS CENTRAL  
 I-35 TUNNEL  
 STA 364+00.00

SCALE: HORIZ: 1"=40'  
 VERT: 1"=40'

CONT	SECT	JOB	HIGHWAY
0015	13	433, ETC.	I-35
DIST	COUNTY		SHEET NO.
AUS	TRAVIS		657



NO.	DATE	REVISION	APPR BY



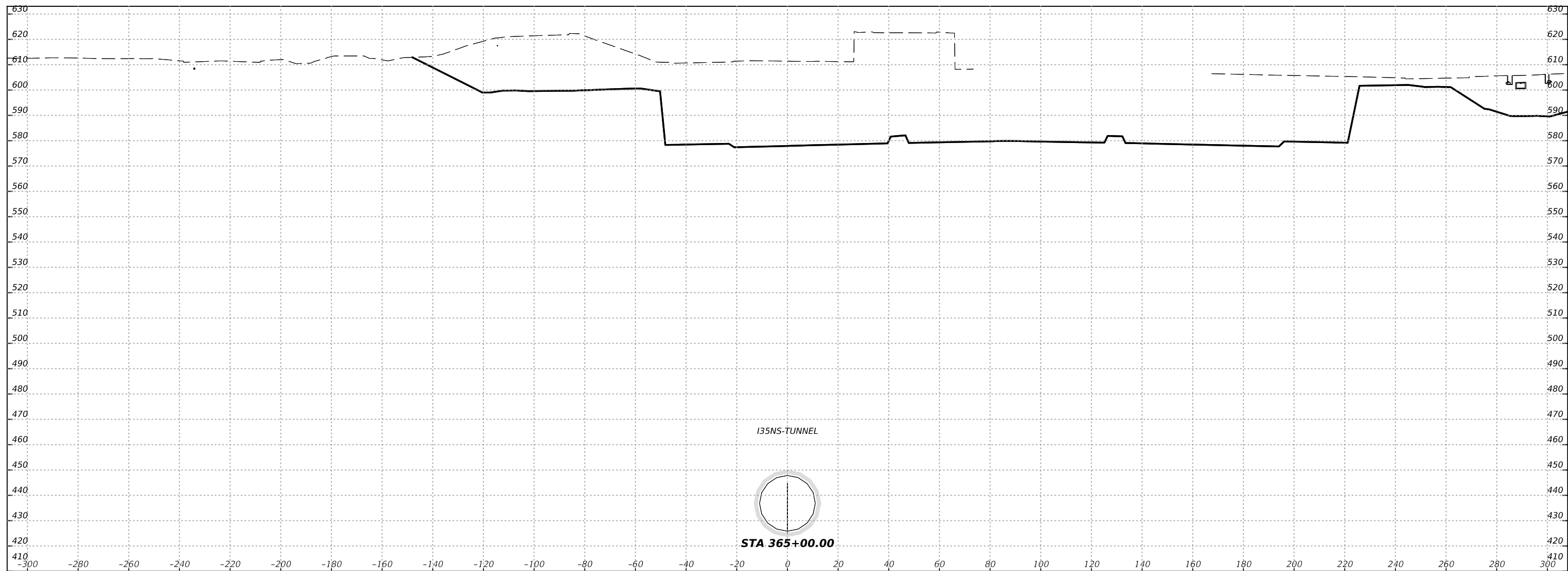
HDR Engineering, Inc.  
 Firm Registration No. F-754  
 710 Hester Crossing, Suite 150  
 Round Rock, Texas 78681



CAPITAL EXPRESS CENTRAL  
 I-35 TUNNEL  
 STA 364+50.00

SCALE: HORIZ: 1"=40'  
 VERT: 1"=40'

CONT	SECT	JOB	HIGHWAY
0015	13	433, ETC.	I-35
DIST	COUNTY		SHEET NO.
AUS	TRAVIS		658



NO.	DATE	REVISION	APPR BY



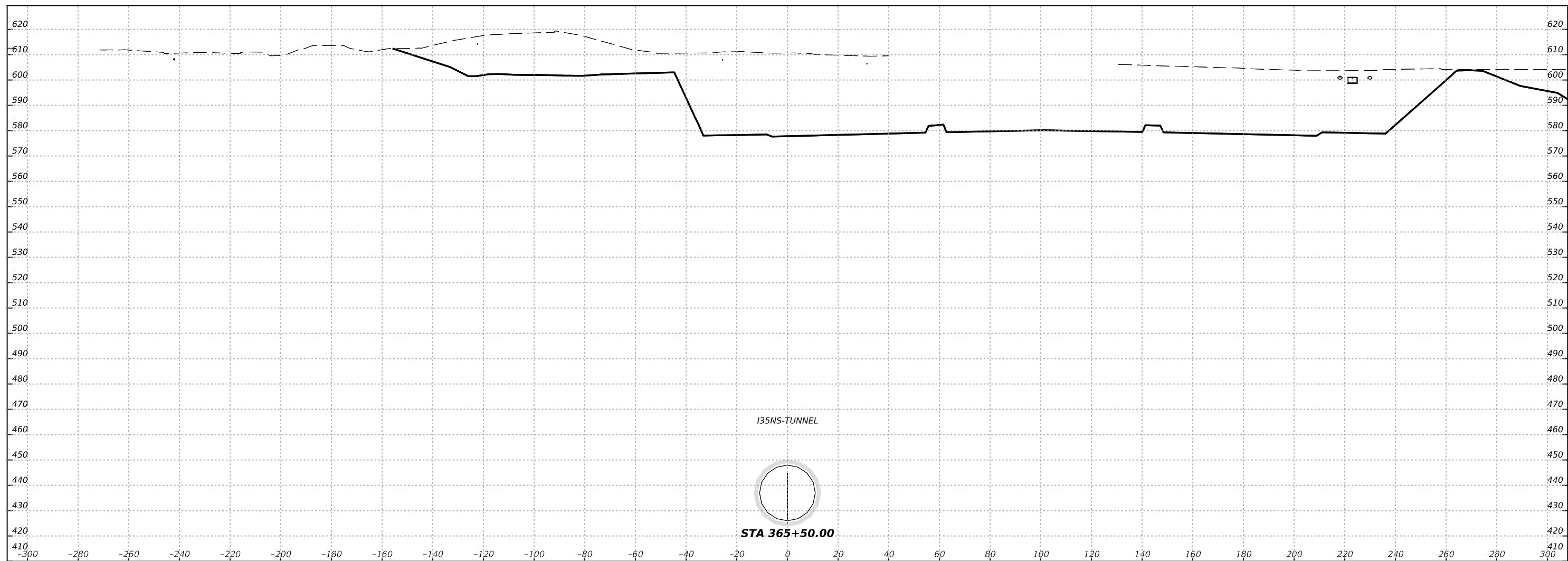
HDR Engineering, Inc.  
 Firm Registration No. F-754  
 710 Hester Crossing, Suite 150  
 Round Rock, Texas 78681



CAPITAL EXPRESS CENTRAL  
 I-35 TUNNEL  
 STA 365+00.00

SCALE: HORIZ: 1"=40'  
 VERT: 1"=40'

CONT	SECT	JOB	HIGHWAY
0015	13	433, ETC.	I-35
DIST	COUNTY	SHEET NO.	
AUS	TRAVIS	659	



NO.	DATE	REVISION	APPR BY



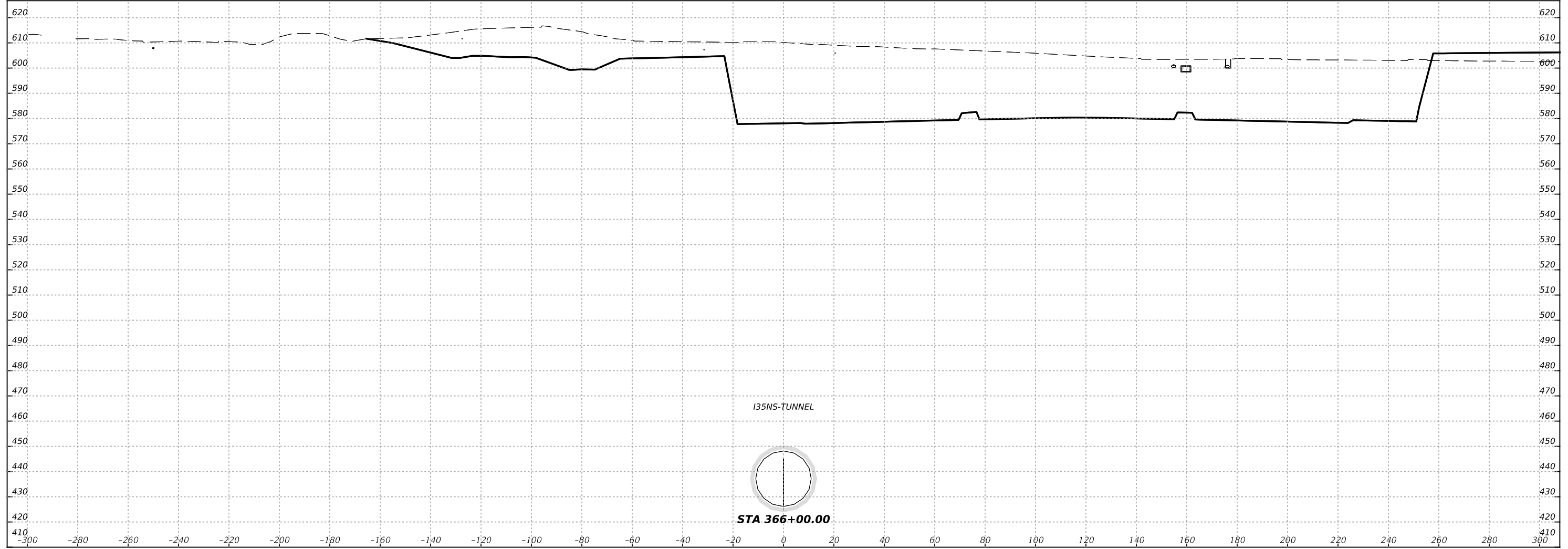
HDR Engineering, Inc.  
 Firm Registration No. F-754  
 710 Hester Crossing, Suite 150  
 Round Rock, Texas 78681



CAPITAL EXPRESS CENTRAL  
 I-35 TUNNEL  
 STA 365+50.00

SCALE: HORIZ: 1"=40'  
 VERT: 1"=40'

CONT	SECT	JOB	HIGHWAY
0015	13	433, ETC.	I-35
DIST	COUNTY	SHEET NO.	
AUS	TRAVIS	660	



NO.	DATE	REVISION	APPR BY

**HDR**  
 HDR Engineering, Inc.  
 Firm Registration No. F-754  
 710 Hester Crossing, Suite 150  
 Round Rock, Texas 78681

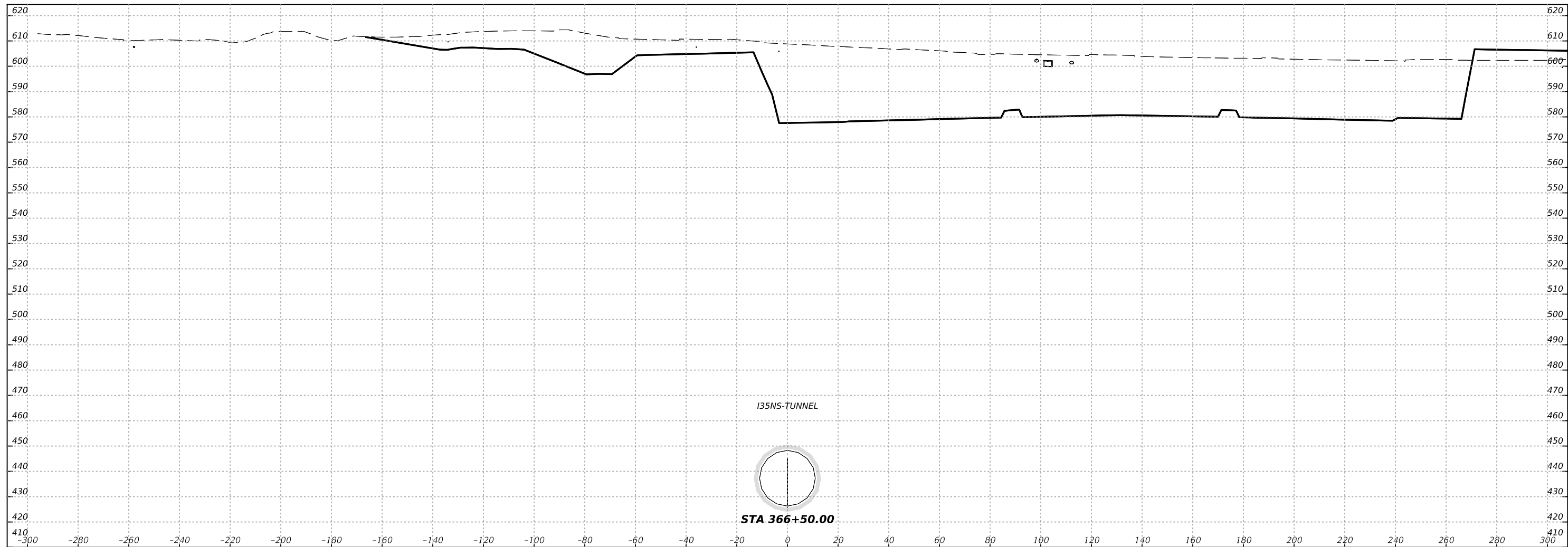
**mobility** CAPITAL AREA  
 35

**Texas Department of Transportation**  
 © 2023

**CAPITAL EXPRESS CENTRAL**  
 I-35 TUNNEL  
 STA 366+00.00

SCALE: HORIZ: 1"=40'  
 VERT: 1"=40'

CONT	SECT	JOB	HIGHWAY
0015	13	433, ETC.	I-35
DIST	COUNTY		SHEET NO.
AUS	TRAVIS		661



NO.	DATE	REVISION	APPR BY



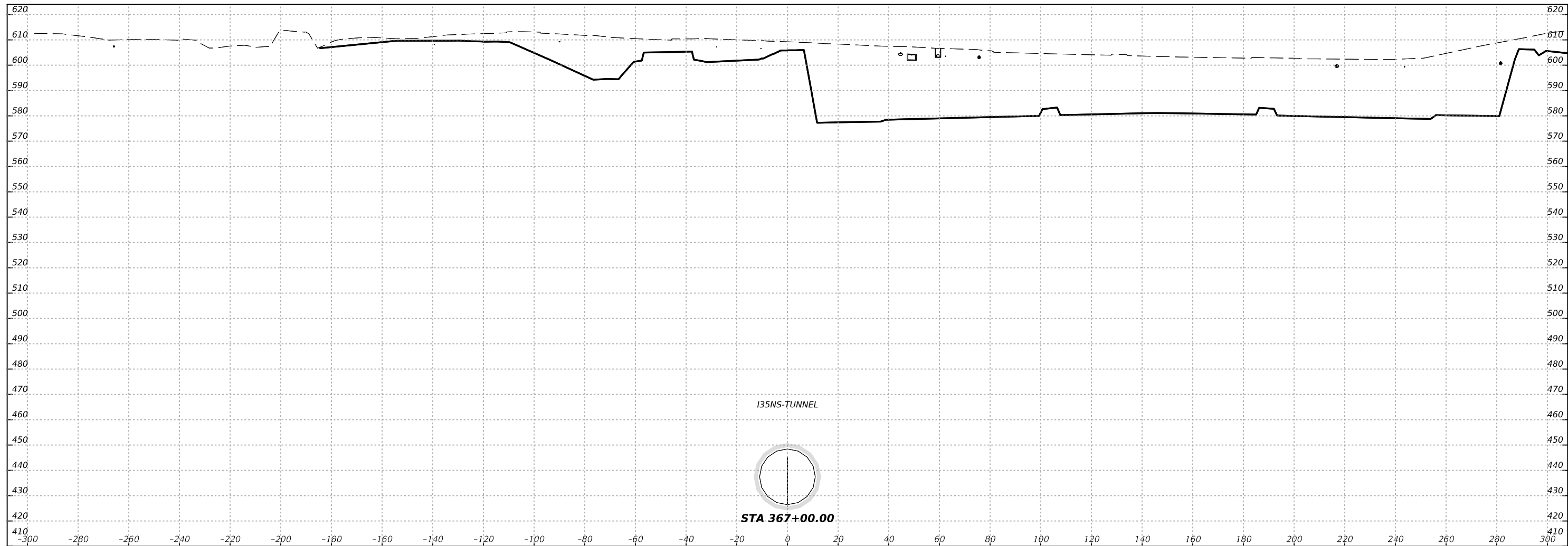
HDR Engineering, Inc.  
 Firm Registration No. F-754  
 710 Hester Crossing, Suite 150  
 Round Rock, Texas 78681



CAPITAL EXPRESS CENTRAL  
 I-35 TUNNEL  
 STA 366+50.00

SCALE: HORIZ: 1"=40'  
 VERT: 1"=40'

CONT	SECT	JOB	HIGHWAY
0015	13	433, ETC.	I-35
DIST	COUNTY		SHEET NO.
AUS	TRAVIS		662



NO.	DATE	REVISION	APPR BY



HDR Engineering, Inc.  
 Firm Registration No. F-754  
 710 Hester Crossing, Suite 150  
 Round Rock, Texas 78681

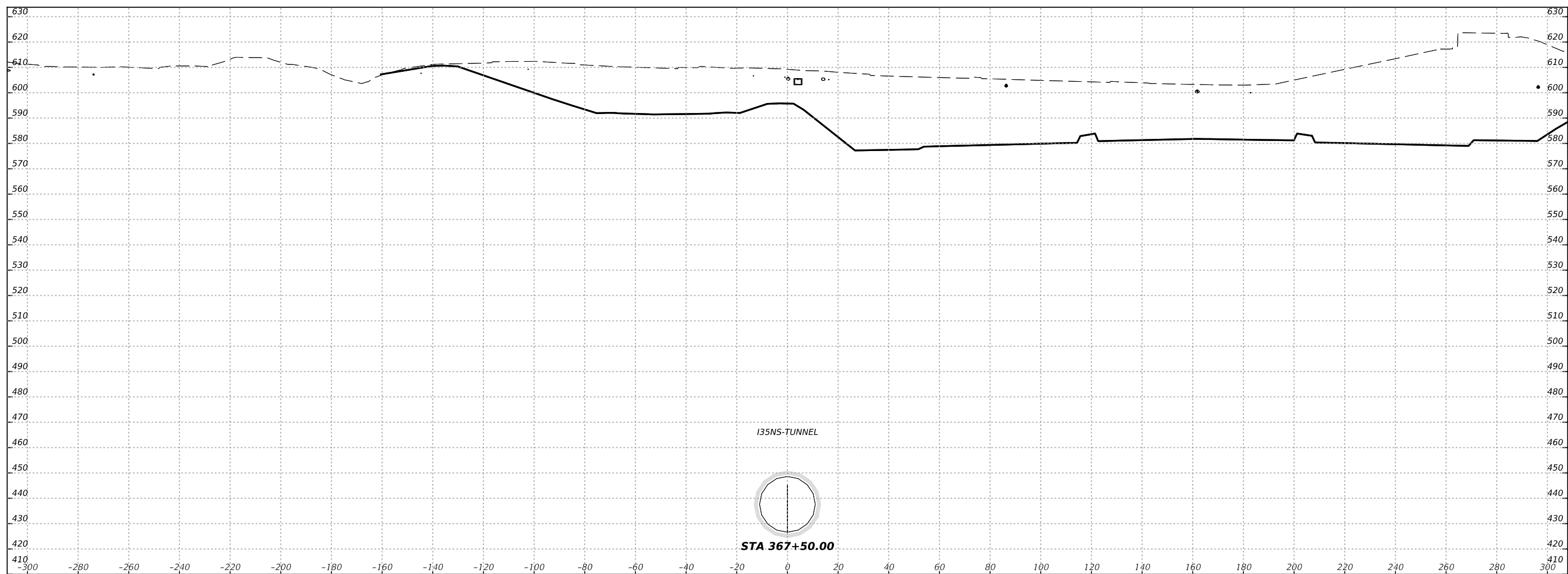


CAPITAL EXPRESS CENTRAL  
 I-35 TUNNEL  
 STA 367+00.00

SCALE: HORIZ: 1"=40'  
 VERT: 1"=40'

CONT	SECT	JOB	HIGHWAY
0015	13	433, ETC.	I-35
DIST	COUNTY	SHEET NO.	
AUS	TRAVIS	663	





NO.	DATE	REVISION	APPR BY



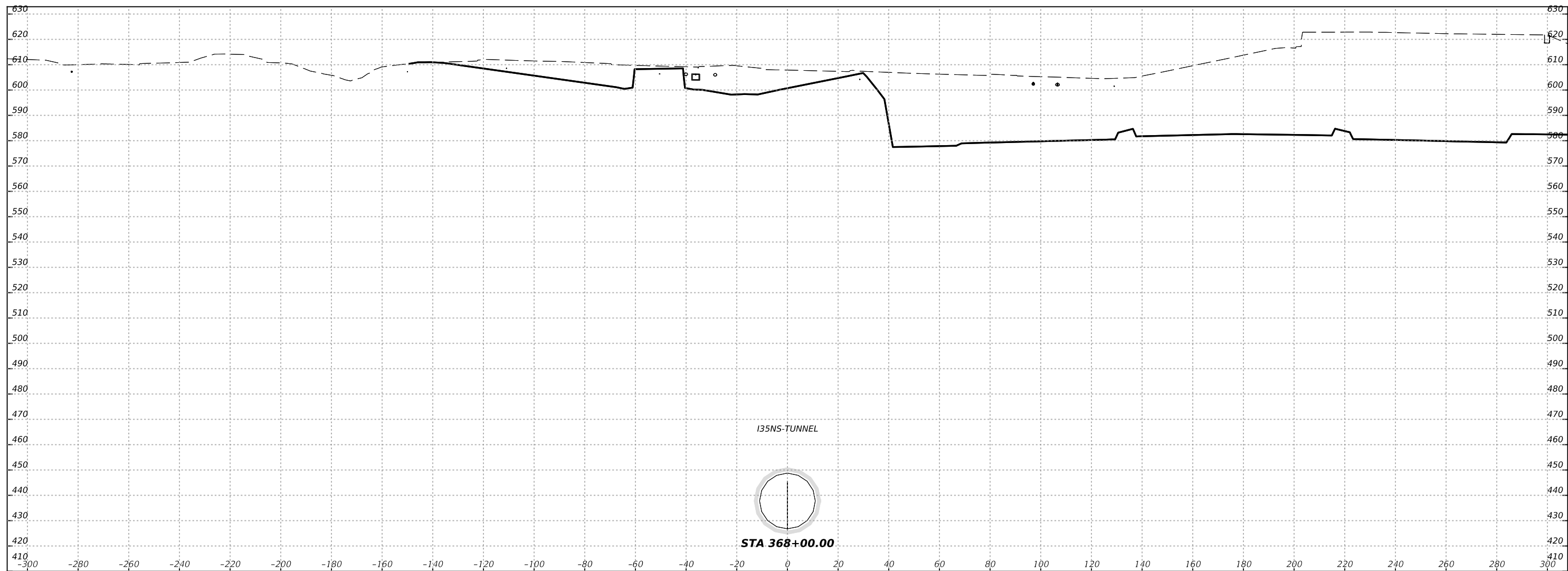
HDR Engineering, Inc.  
 Firm Registration No. F-754  
 710 Hester Crossing, Suite 150  
 Round Rock, Texas 78681



CAPITAL EXPRESS CENTRAL  
 I-35 TUNNEL  
 STA 367+50.00

SCALE: HORIZ: 1"=40'  
 VERT: 1"=40'

CONT	SECT	JOB	HIGHWAY
0015	13	433, ETC.	I-35
DIST	COUNTY		SHEET NO.
AUS	TRAVIS		664



NO.	DATE	REVISION	APPR BY



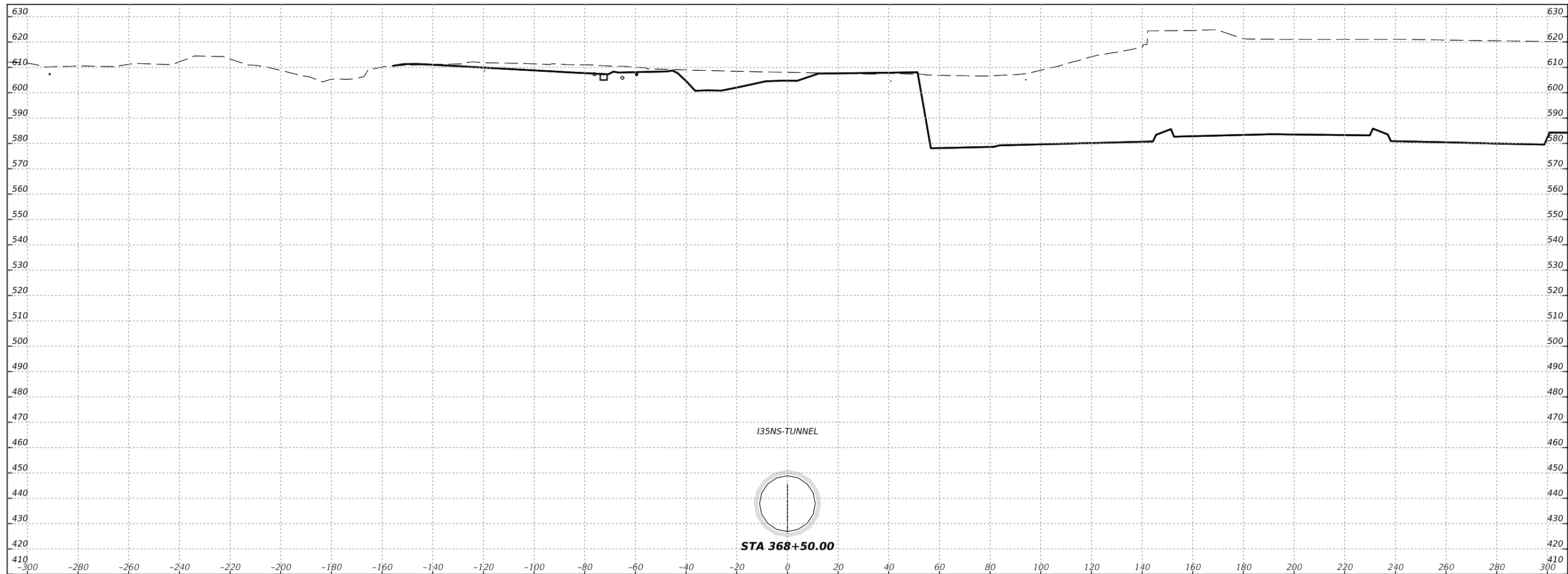
HDR Engineering, Inc.  
 Firm Registration No. F-754  
 710 Hester Crossing, Suite 150  
 Round Rock, Texas 78681



CAPITAL EXPRESS CENTRAL  
 I-35 TUNNEL  
 STA 368+00.00

SCALE: HORIZ: 1"=40'  
 VERT: 1"=40'

CONT	SECT	JOB	HIGHWAY
0015	13	433, ETC.	I-35
DIST	COUNTY	SHEET NO.	
AUS	TRAVIS	665	



NO.	DATE	REVISION	APPR BY



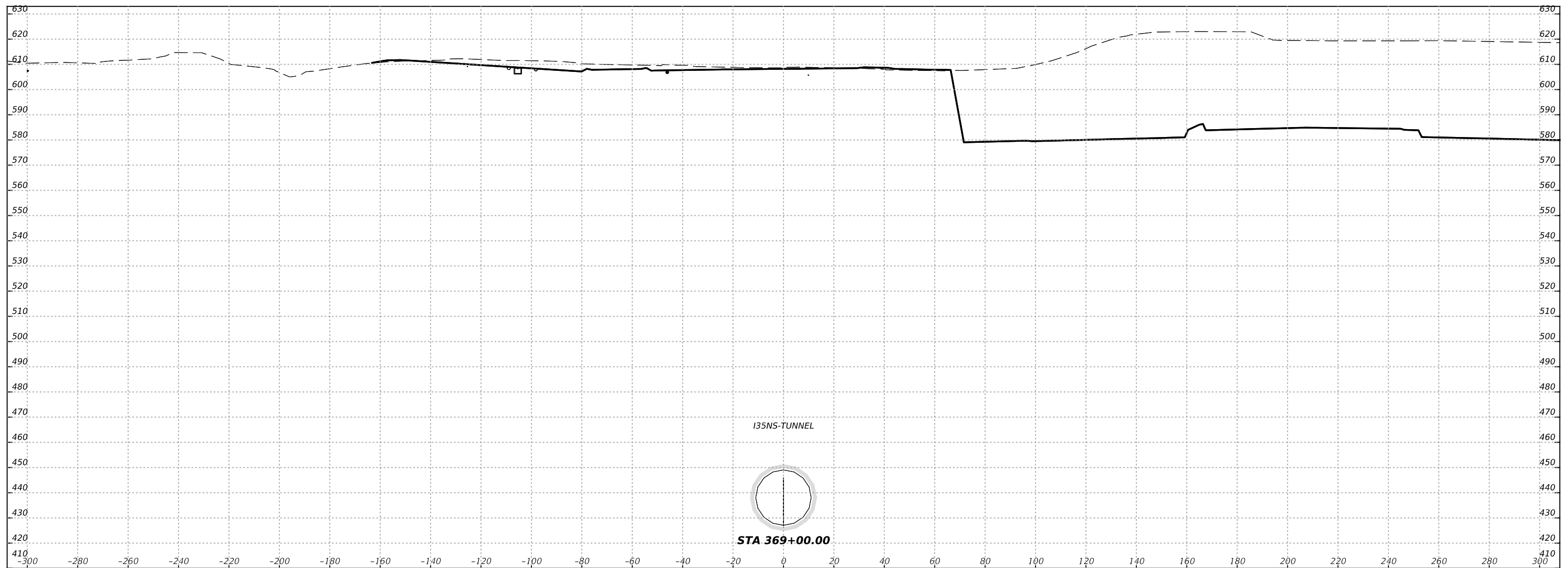
HDR Engineering, Inc.  
 Firm Registration No. F-754  
 710 Hester Crossing, Suite 150  
 Round Rock, Texas 78681



CAPITAL EXPRESS CENTRAL  
 I-35 TUNNEL  
 STA 368+50.00

SCALE: HORIZ: 1"=40'  
 VERT: 1"=40'

CONT	SECT	JOB	HIGHWAY
0015	13	433, ETC.	I-35
DIST			SHEET NO.
AUS	TRAVIS		666



NO.	DATE	REVISION	APPR BY



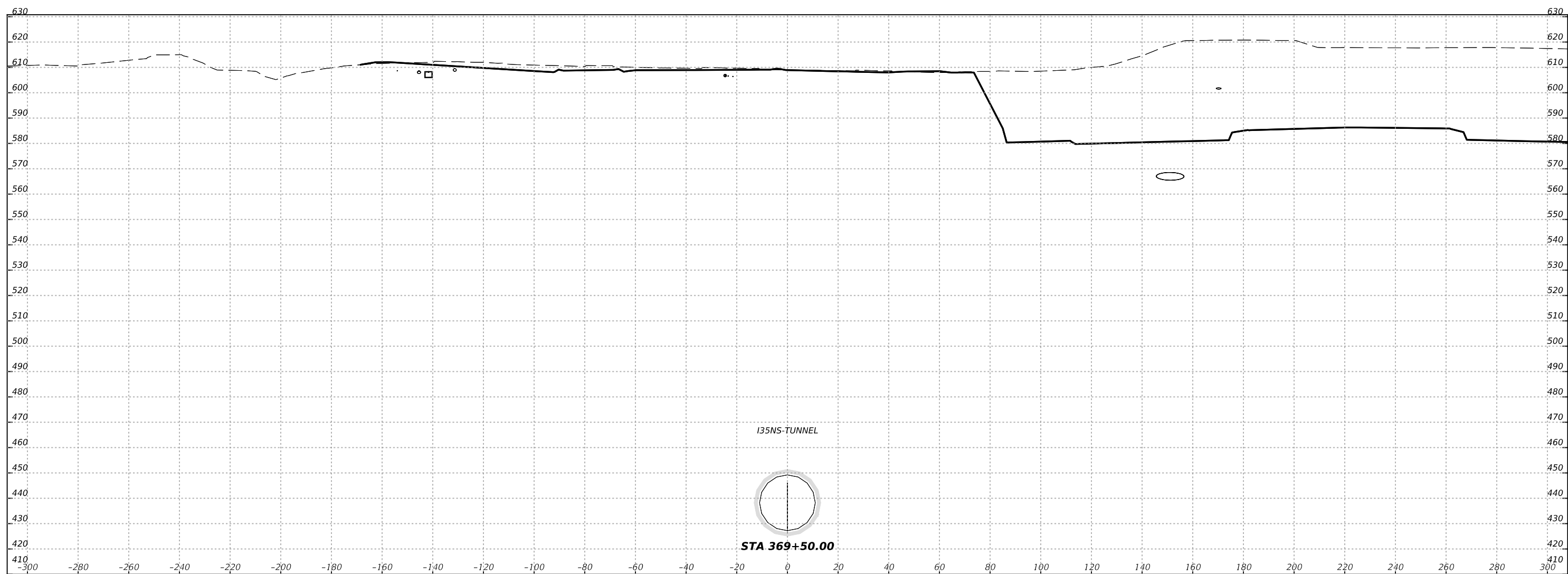
HDR Engineering, Inc.  
 Firm Registration No. F-754  
 710 Hester Crossing, Suite 150  
 Round Rock, Texas 78681



CAPITAL EXPRESS CENTRAL  
 I-35 TUNNEL  
 STA 369+00.00

SCALE: HORIZ: 1"=40'  
 VERT: 1"=40'

CONT	SECT	JOB	HIGHWAY
0015	13	433, ETC.	I-35
DIST	COUNTY		SHEET NO.
AUS	TRAVIS		667



NO.	DATE	REVISION	APPR BY



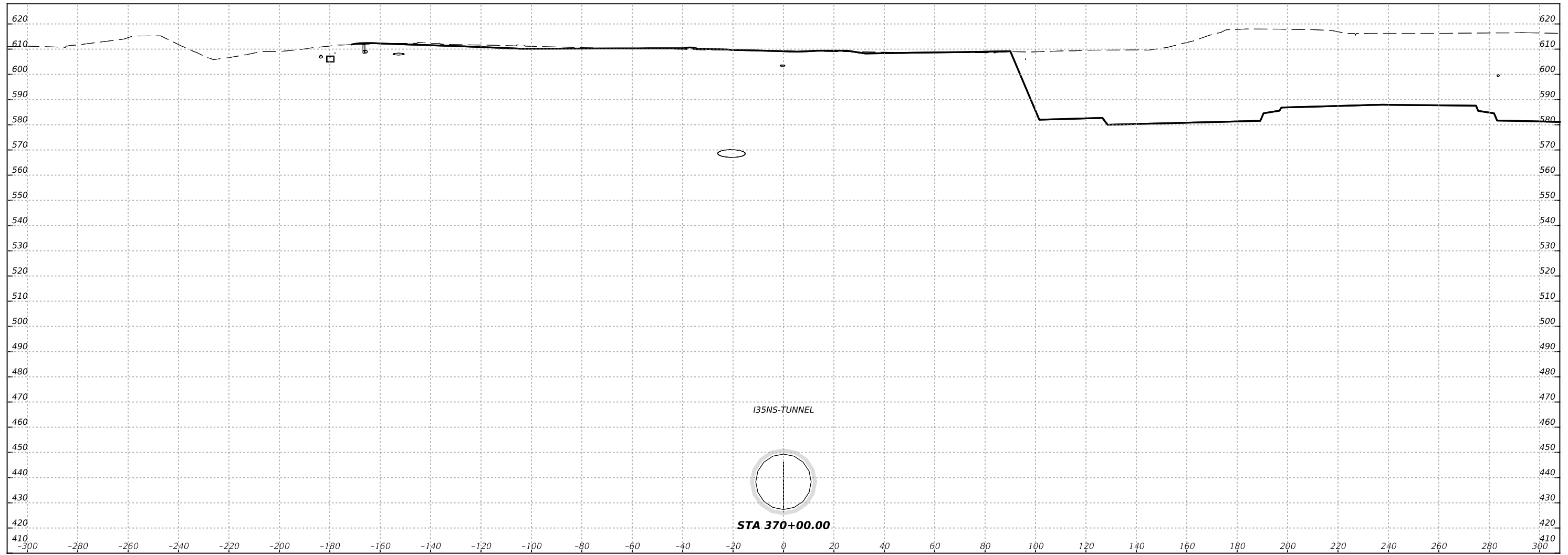
HDR Engineering, Inc.  
 Firm Registration No. F-754  
 710 Hester Crossing, Suite 150  
 Round Rock, Texas 78681



CAPITAL EXPRESS CENTRAL  
 I-35 TUNNEL  
 STA 369+50.00

SCALE: HORIZ: 1"=40'  
 VERT: 1"=40'

CONT	SECT	JOB	HIGHWAY
0015	13	433, ETC.	I-35
DIST	COUNTY		SHEET NO.
AUS	TRAVIS		668



DATE: 6/29/2023 11:18:26 PM  
 FILE: XS Segment 3.dgn

NO.	DATE	REVISION	APPR BY



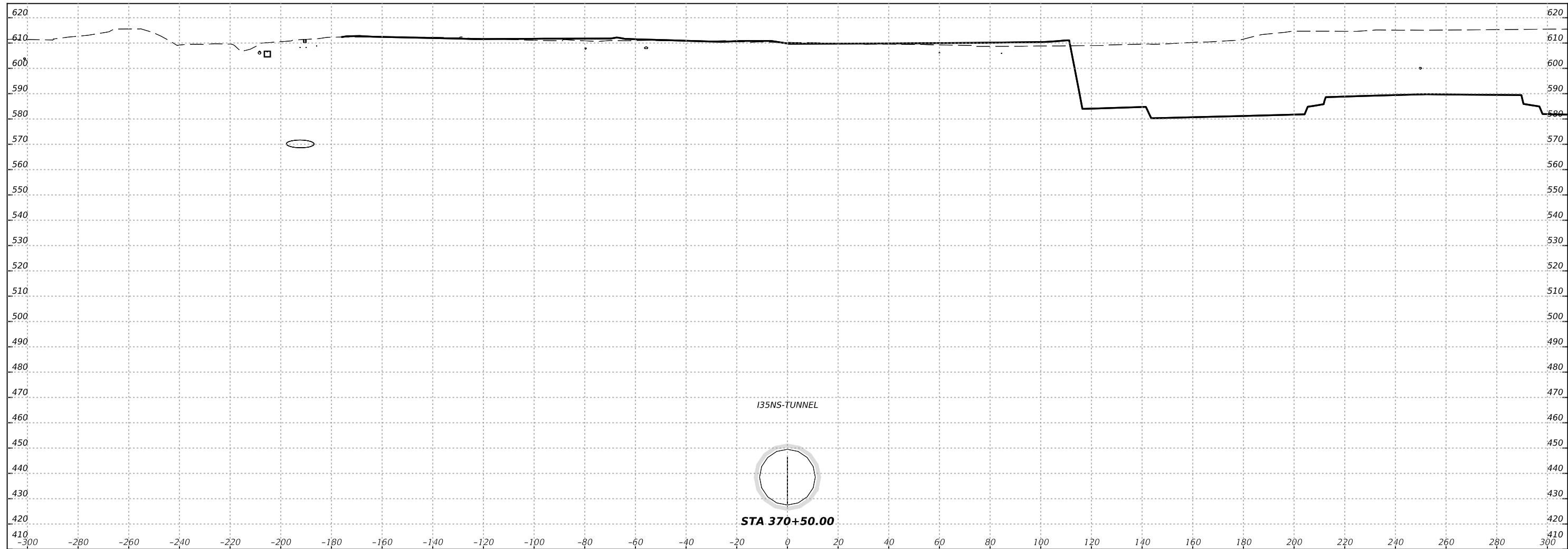
HDR Engineering, Inc.  
 Firm Registration No. F-754  
 710 Hester Crossing, Suite 150  
 Round Rock, Texas 78681



CAPITAL EXPRESS CENTRAL  
 I-35 TUNNEL  
 STA 370+00.00

SCALE: HORIZ: 1"=40'  
 VERT: 1"=40'

CONT	SECT	JOB	HIGHWAY
0015	13	433, ETC.	I-35
DIST			SHEET NO.
AUS	TRAVIS		669



NO.	DATE	REVISION	APPR BY



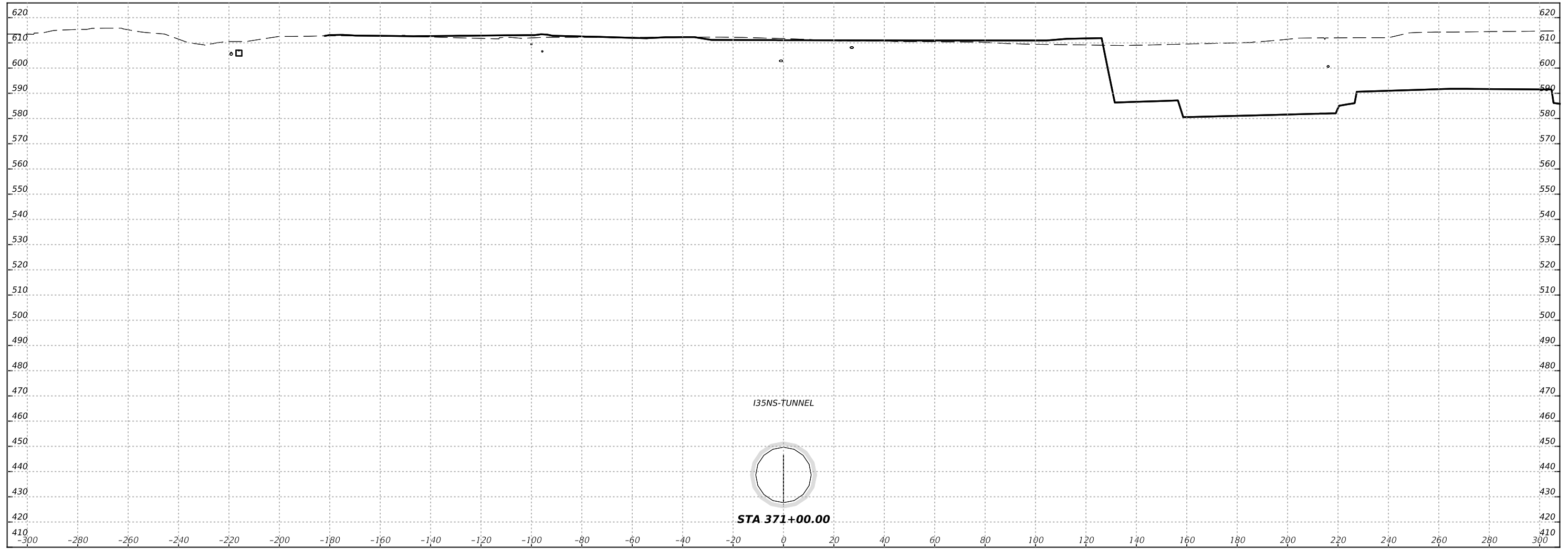
HDR Engineering, Inc.  
 Firm Registration No. F-754  
 710 Hester Crossing, Suite 150  
 Round Rock, Texas 78681



CAPITAL EXPRESS CENTRAL  
 I-35 TUNNEL  
 STA 370+50.00

SCALE: HORIZ: 1"=40'  
 VERT: 1"=40'

CONT	SECT	JOB	HIGHWAY
0015	13	433, ETC.	I-35
DIST	COUNTY		SHEET NO.
AUS	TRAVIS		670



NO.	DATE	REVISION	APPR BY

**HDR**  
 HDR Engineering, Inc.  
 Firm Registration No. F-754  
 710 Hester Crossing, Suite 150  
 Round Rock, Texas 78681

**mobility** CAPITAL AREA  
 35

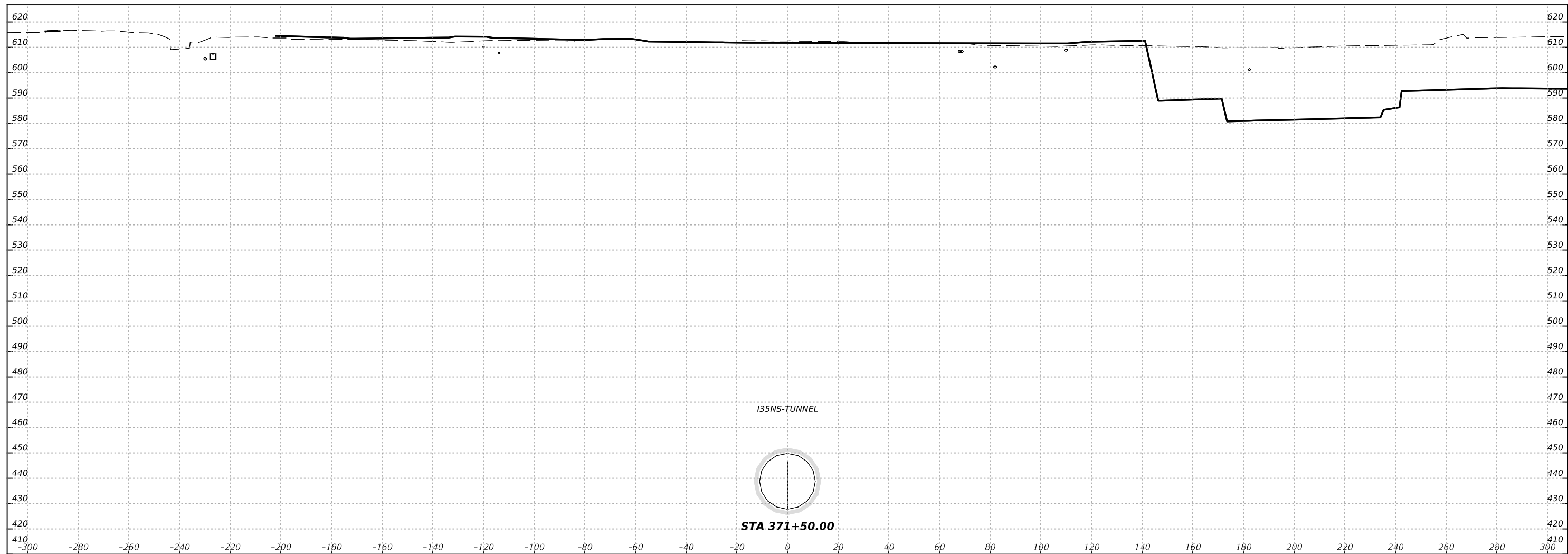
**Texas Department of Transportation**  
 © 2023

**CAPITAL EXPRESS CENTRAL**  
 I-35 TUNNEL  
 STA 371+00.00

SCALE: HORIZ: 1"=40'  
 VERT: 1"=40'

CONT	SECT	JOB	HIGHWAY
0015	13	433, ETC.	I-35
DIST	COUNTY		SHEET NO.
AUS	TRAVIS		671





NO.	DATE	REVISION	APPR BY



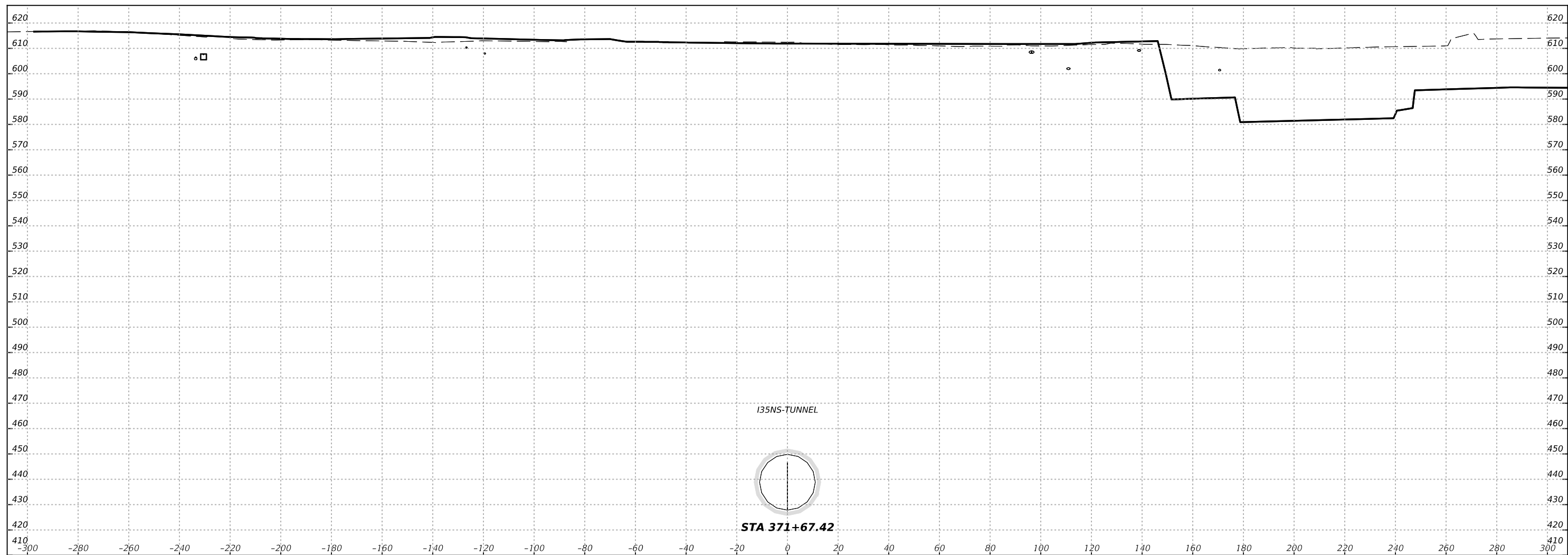
HDR Engineering, Inc.  
 Firm Registration No. F-754  
 710 Hester Crossing, Suite 150  
 Round Rock, Texas 78681



CAPITAL EXPRESS CENTRAL  
 I-35 TUNNEL  
 STA 371+50.00

SCALE: HORIZ: 1"=40'  
 VERT: 1"=40'

CONT	SECT	JOB	HIGHWAY
0015	13	433, ETC.	I-35
DIST	COUNTY		SHEET NO.
AUS	TRAVIS		672



NO.	DATE	REVISION	APPR BY



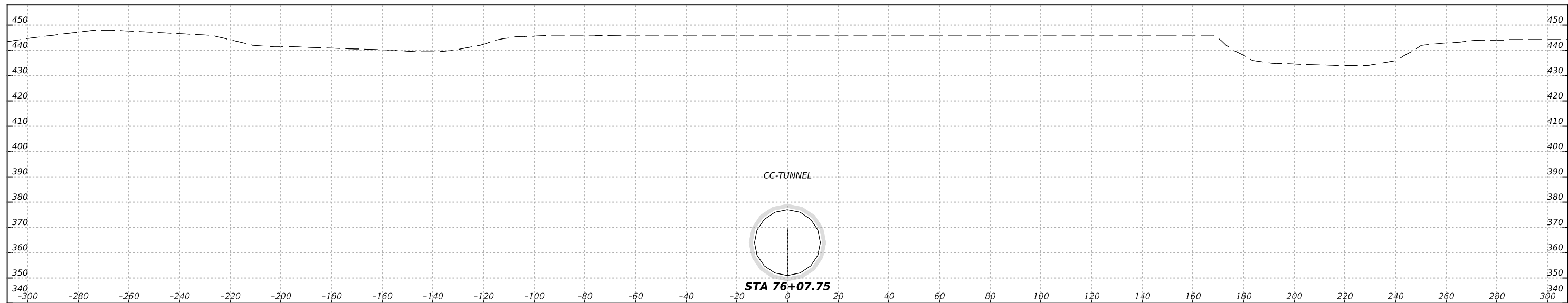
HDR Engineering, Inc.  
 Firm Registration No. F-754  
 710 Hester Crossing, Suite 150  
 Round Rock, Texas 78681



CAPITAL EXPRESS CENTRAL  
 I-35 TUNNEL  
 STA 371+67.42

SCALE: HORIZ: 1"=40'  
 VERT: 1"=40'

CONT	SECT	JOB	HIGHWAY
0015	13	433, ETC.	I-35
DIST	COUNTY		SHEET NO.
AUS	TRAVIS		673



NO.	DATE	REVISION	APPR BY



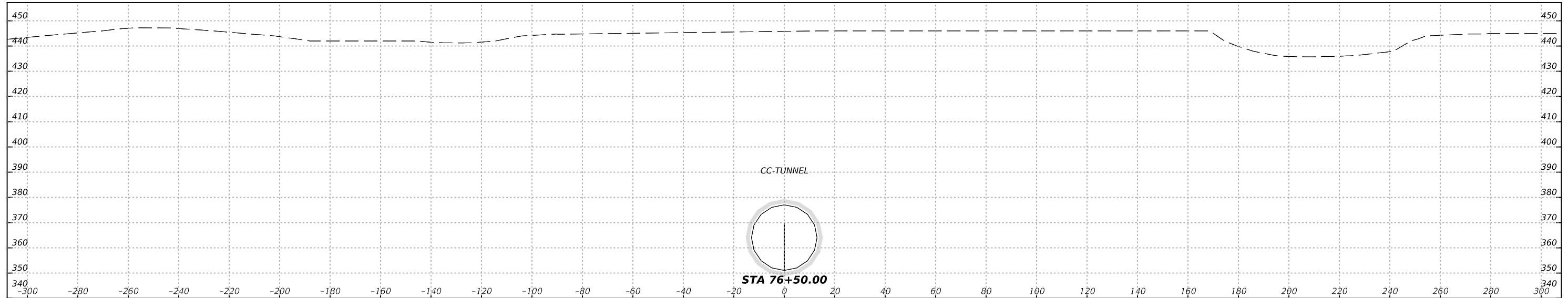
HDR Engineering, Inc.  
 Firm Registration No. F-754  
 710 Hester Crossing, Suite 150  
 Round Rock, Texas 78681



CAPITAL EXPRESS CENTRAL  
 Ç CESAR CHAVEZ TUNNEL  
 STA 76+07.75

SCALE: HORIZ: 1"=40'  
 VERT: 1"=40'

CONT	SECT	JOB	HIGHWAY
0015	13	433, ETC.	I-35
DIST	COUNTY		SHEET NO.
AUS	TRAVIS		674



NO.	DATE	REVISION	APPR BY



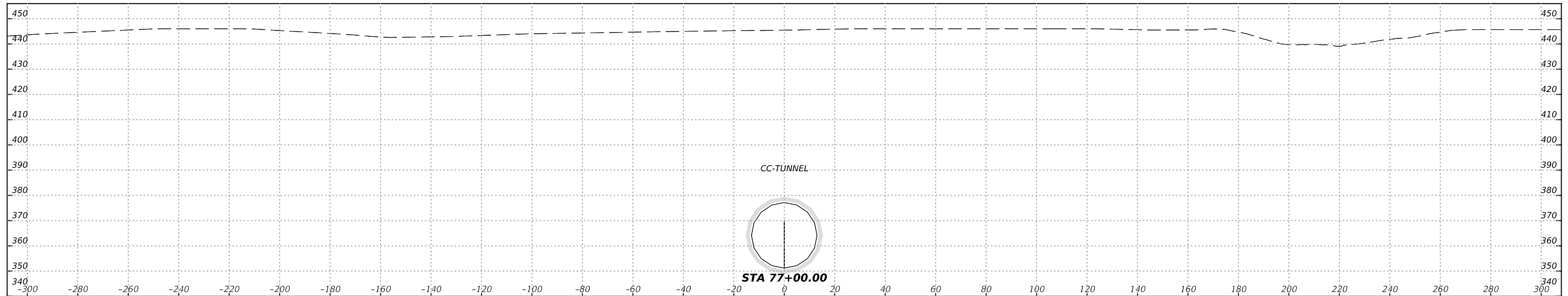
HDR Engineering, Inc.  
 Firm Registration No. F-754  
 710 Hester Crossing, Suite 150  
 Round Rock, Texas 78681



CAPITAL EXPRESS CENTRAL  
 Ç CESAR CHAVEZ TUNNEL  
 STA 76+50.00

SCALE: HORIZ: 1"=40'  
 VERT: 1"=40'

CONT	SECT	JOB	HIGHWAY
0015	13	433, ETC.	I-35
DIST	COUNTY		SHEET NO.
AUS	TRAVIS		675



NO.	DATE	REVISION	APPR BY



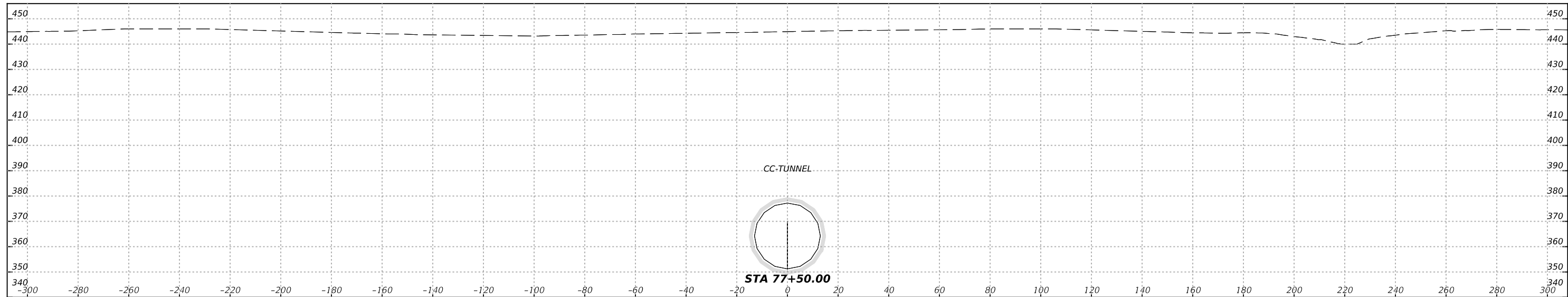
HDR Engineering, Inc.  
 Firm Registration No. F-754  
 710 Hester Crossing, Suite 150  
 Round Rock, Texas 78681



CAPITAL EXPRESS CENTRAL  
 Ç CESAR CHAVEZ TUNNEL  
 STA 77+00.00

SCALE: HORIZ: 1"=40'  
 VERT: 1"=40'

CONT	SECT	JOB	HIGHWAY
0015	13	433, ETC.	I-35
DIST			COUNTY
AUS			TRAVIS
SHEET NO.			676



NO.	DATE	REVISION	APPR BY



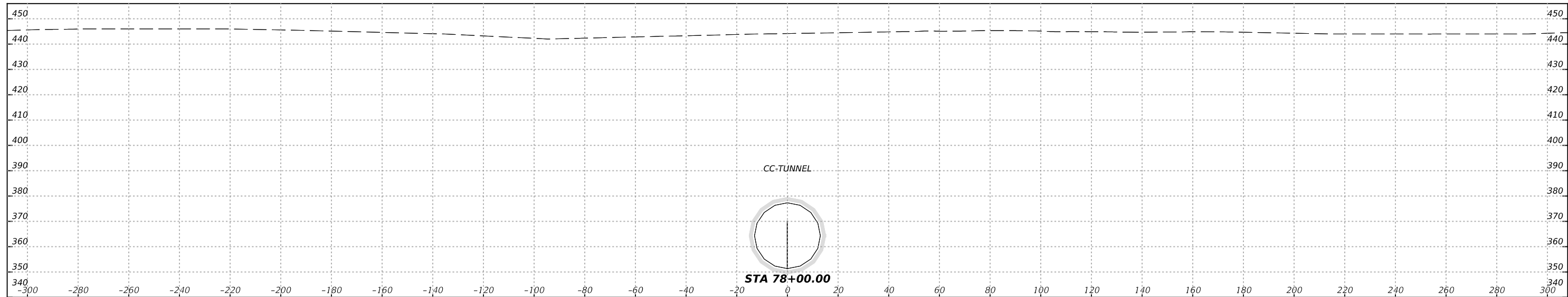
HDR Engineering, Inc.  
 Firm Registration No. F-754  
 710 Hester Crossing, Suite 150  
 Round Rock, Texas 78681



CAPITAL EXPRESS CENTRAL  
 Ç CESAR CHAVEZ TUNNEL  
 STA 77+50.00

SCALE: HORIZ: 1"=40'  
 VERT: 1"=40'

CONT	SECT	JOB	HIGHWAY
0015	13	433, ETC.	I-35
DIST	COUNTY		SHEET NO.
AUS	TRAVIS		677



NO.	DATE	REVISION	APPR BY



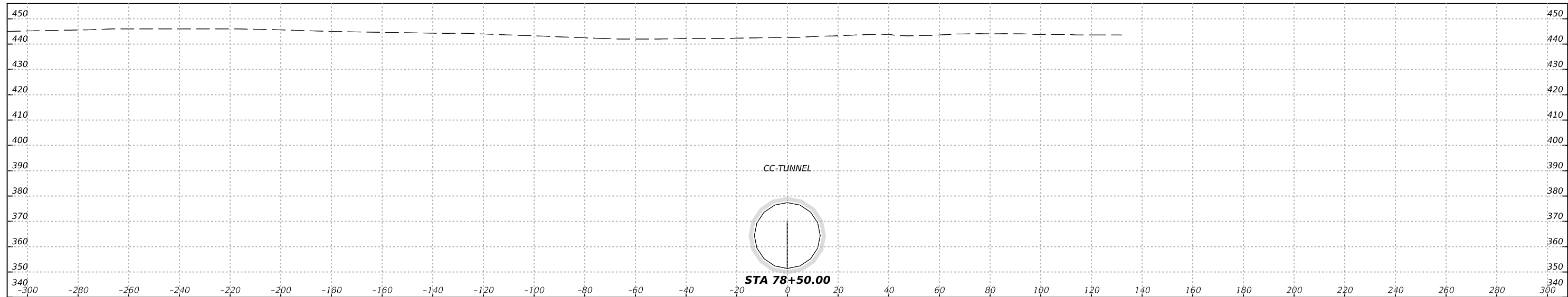
HDR Engineering, Inc.  
 Firm Registration No. F-754  
 710 Hester Crossing, Suite 150  
 Round Rock, Texas 78681



CAPITAL EXPRESS CENTRAL  
 Ç CESAR CHAVEZ TUNNEL  
 STA 78+00.00

SCALE: HORIZ: 1"=40'  
 VERT: 1"=40'

CONT	SECT	JOB	HIGHWAY
0015	13	433, ETC.	I-35
DIST COUNTY			SHEET NO.
AUS	TRAVIS		678



NO.	DATE	REVISION	APPR BY



HDR Engineering, Inc.  
 Firm Registration No. F-754  
 710 Hester Crossing, Suite 150  
 Round Rock, Texas 78681

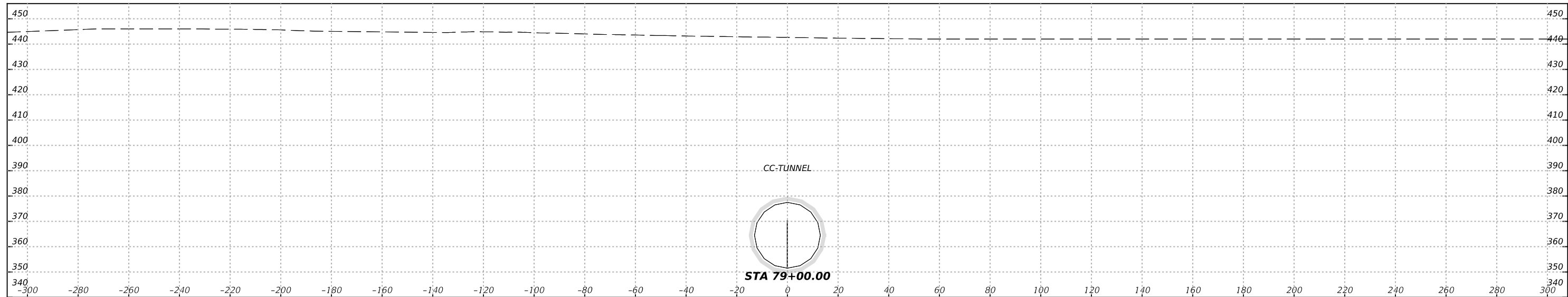


CAPITAL EXPRESS CENTRAL  
 Ç CESAR CHAVEZ TUNNEL  
 STA 78+50.00

SCALE: HORIZ: 1"=40'  
 VERT: 1"=40'

CONT	SECT	JOB	HIGHWAY
0015	13	433, ETC.	I-35
DIST			COUNTY
AUS			TRAVIS
SHEET NO.			679





NO.	DATE	REVISION	APPR BY



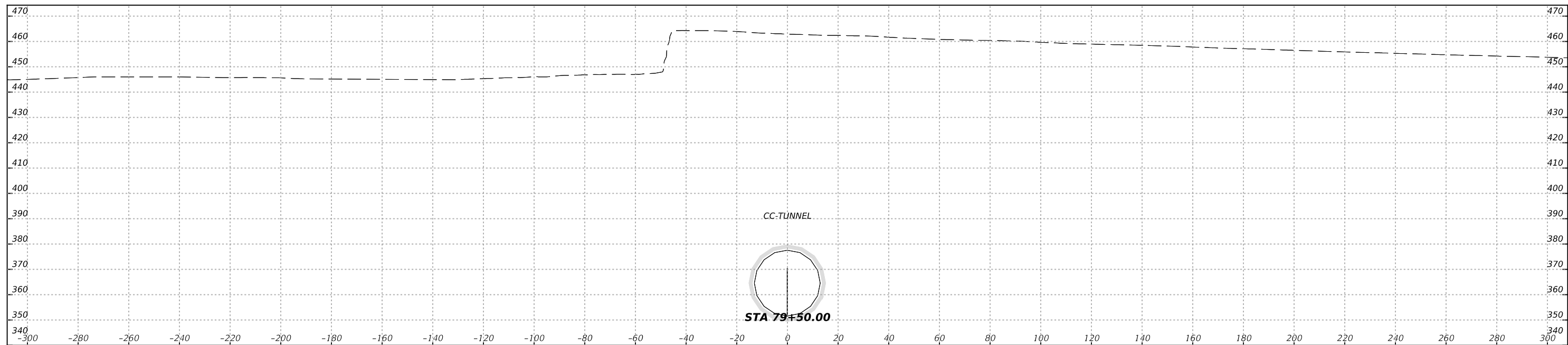
HDR Engineering, Inc.  
 Firm Registration No. F-754  
 710 Hester Crossing, Suite 150  
 Round Rock, Texas 78681



CAPITAL EXPRESS CENTRAL  
 Ç CESAR CHAVEZ TUNNEL  
 STA 79+00.00

SCALE: HORIZ: 1"=40'  
 VERT: 1"=40'

CONT	SECT	JOB	HIGHWAY
0015	13	433, ETC.	I-35
DIST		COUNTY	SHEET NO.
AUS		TRAVIS	680



NO.	DATE	REVISION	APPR BY



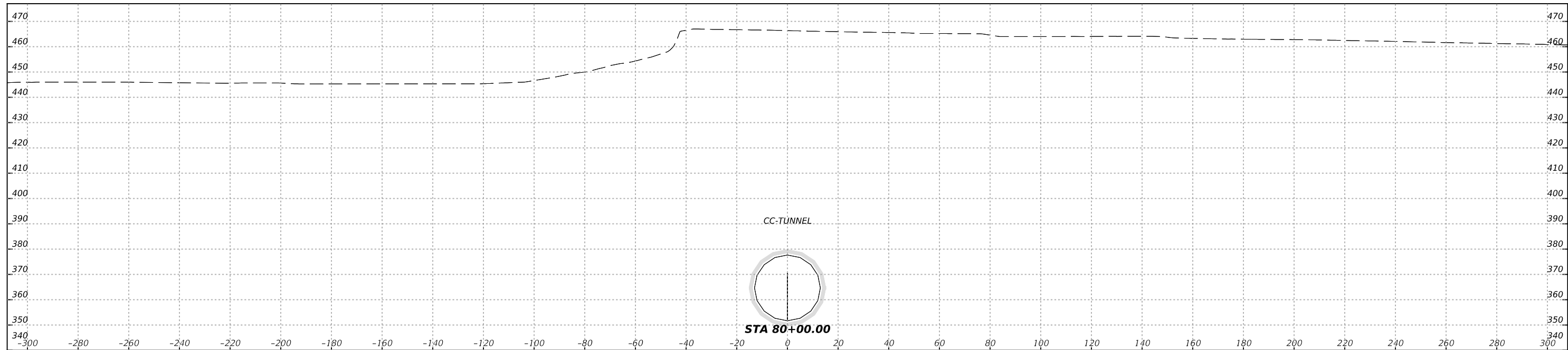
HDR Engineering, Inc.  
 Firm Registration No. F-754  
 710 Hester Crossing, Suite 150  
 Round Rock, Texas 78681



CAPITAL EXPRESS CENTRAL  
 Ç CESAR CHAVEZ TUNNEL  
 STA 79+50.00

SCALE: HORIZ: 1"=40'  
 VERT: 1"=40'

CONT	SECT	JOB	HIGHWAY
0015	13	433, ETC.	I-35
DIST COUNTY			SHEET NO.
AUS	TRAVIS		681



NO.	DATE	REVISION	APPR BY



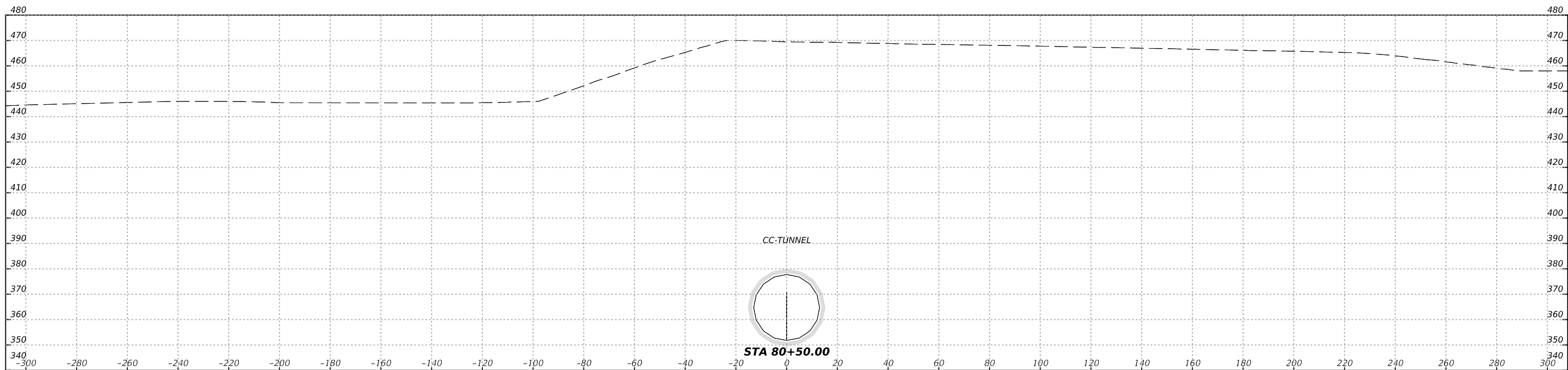
HDR Engineering, Inc.  
 Firm Registration No. F-754  
 710 Hester Crossing, Suite 150  
 Round Rock, Texas 78681



CAPITAL EXPRESS CENTRAL  
 Ç CESAR CHAVEZ TUNNEL  
 STA 80+00.00

SCALE: HORIZ: 1"=40'  
 VERT: 1"=40'

CONT	SECT	JOB	HIGHWAY
0015	13	433, ETC.	I-35
DIST	COUNTY		SHEET NO.
AUS	TRAVIS		682



NO.	DATE	REVISION	APPR BY



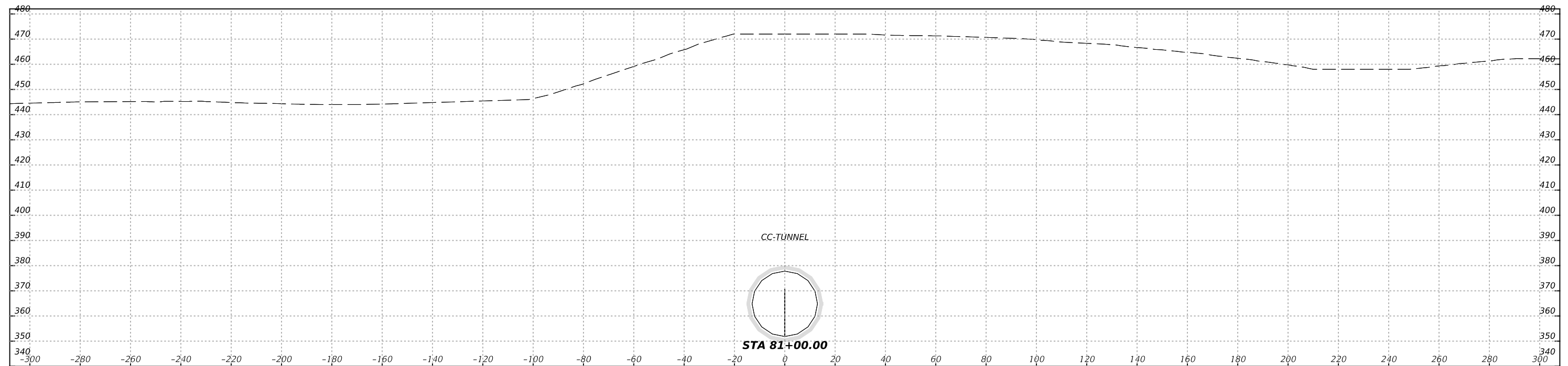
HDR Engineering, Inc.  
 Firm Registration No. F-754  
 710 Hester Crossing, Suite 150  
 Round Rock, Texas 78681



CAPITAL EXPRESS CENTRAL  
 Ç CESAR CHAVEZ TUNNEL  
 STA 80+50.00

SCALE: HORIZ: 1"=40'  
 VERT: 1"=40'

CONT	SECT	JOB	HIGHWAY
0015	13	433, ETC.	I-35
DIST			SHEET NO.
AUS	TRAVIS		683



NO.	DATE	REVISION	APPR BY



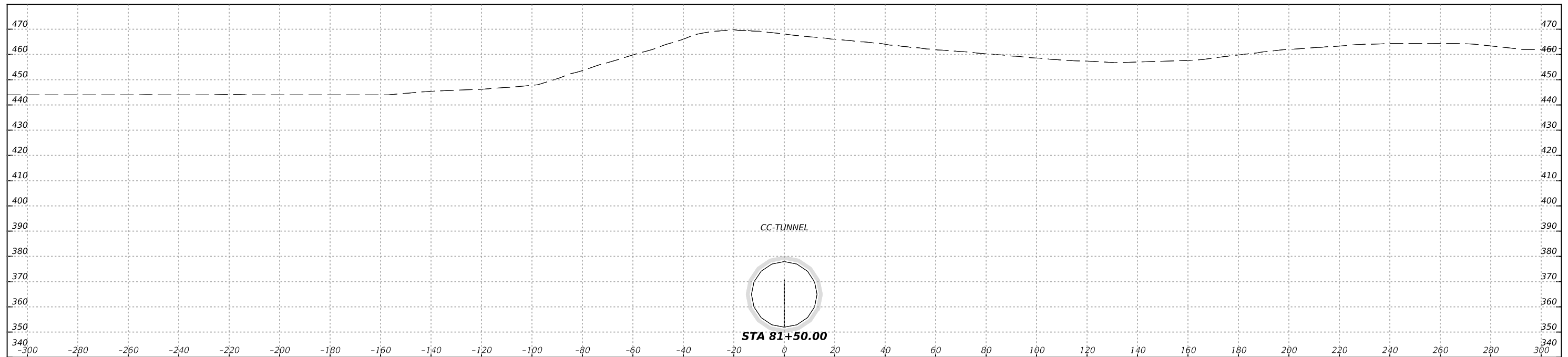
HDR Engineering, Inc.  
 Firm Registration No. F-754  
 710 Hester Crossing, Suite 150  
 Round Rock, Texas 78681



CAPITAL EXPRESS CENTRAL  
 Ç CESAR CHAVEZ TUNNEL  
 STA 81+00.00

SCALE: HORIZ: 1"=40'  
 VERT: 1"=40'

CONT	SECT	JOB	HIGHWAY
0015	13	433, ETC.	I-35
DIST		COUNTY	SHEET NO.
AUS		TRAVIS	684



NO.	DATE	REVISION	APPR BY



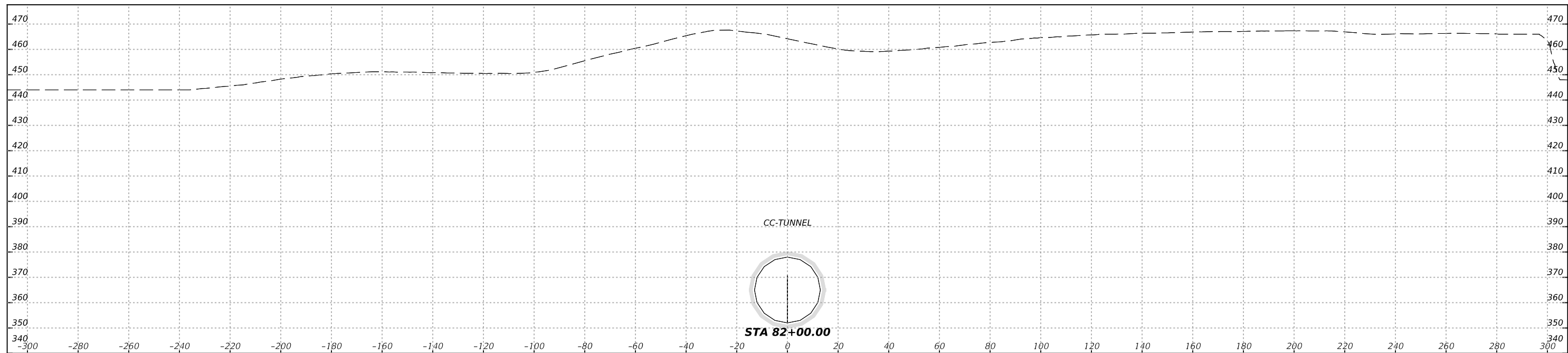
HDR Engineering, Inc.  
 Firm Registration No. F-754  
 710 Hester Crossing, Suite 150  
 Round Rock, Texas 78681



CAPITAL EXPRESS CENTRAL  
 Ç CESAR CHAVEZ TUNNEL  
 STA 81+50.00

SCALE: HORIZ: 1"=40'  
 VERT: 1"=40'

CONT	SECT	JOB	HIGHWAY
0015	13	433, ETC.	I-35
DIST	COUNTY		SHEET NO.
AUS	TRAVIS		685



NO.	DATE	REVISION	APPR BY



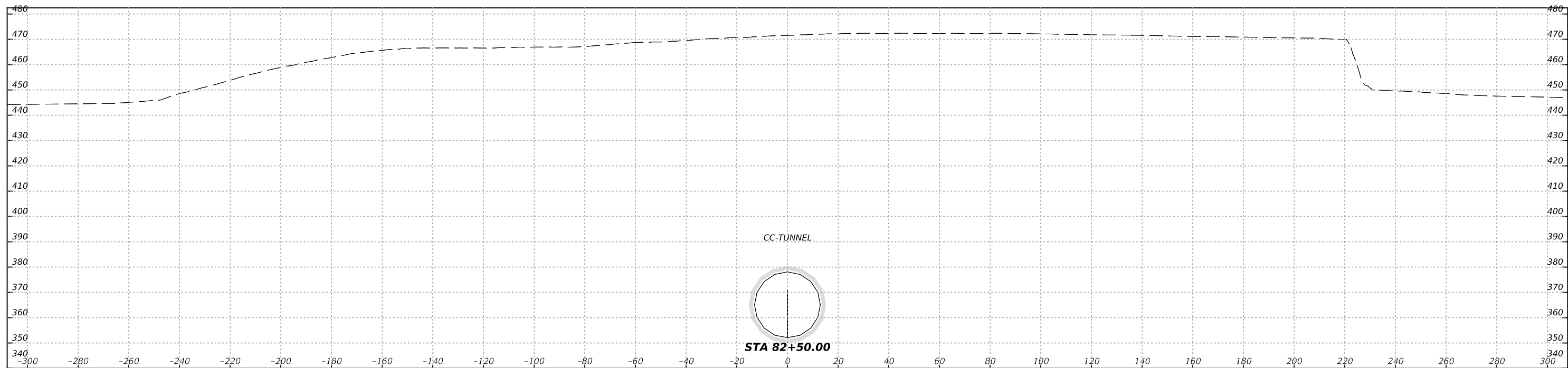
HDR Engineering, Inc.  
 Firm Registration No. F-754  
 710 Hester Crossing, Suite 150  
 Round Rock, Texas 78681



CAPITAL EXPRESS CENTRAL  
 Ç CESAR CHAVEZ TUNNEL  
 STA 82+00.00

SCALE: HORIZ: 1"=40'  
 VERT: 1"=40'

CONT	SECT	JOB	HIGHWAY
0015	13	433, ETC.	I-35
DIST COUNTY			SHEET NO.
AUS	TRAVIS		686



NO.	DATE	REVISION	APPR BY



HDR Engineering, Inc.  
 Firm Registration No. F-754  
 710 Hester Crossing, Suite 150  
 Round Rock, Texas 78681

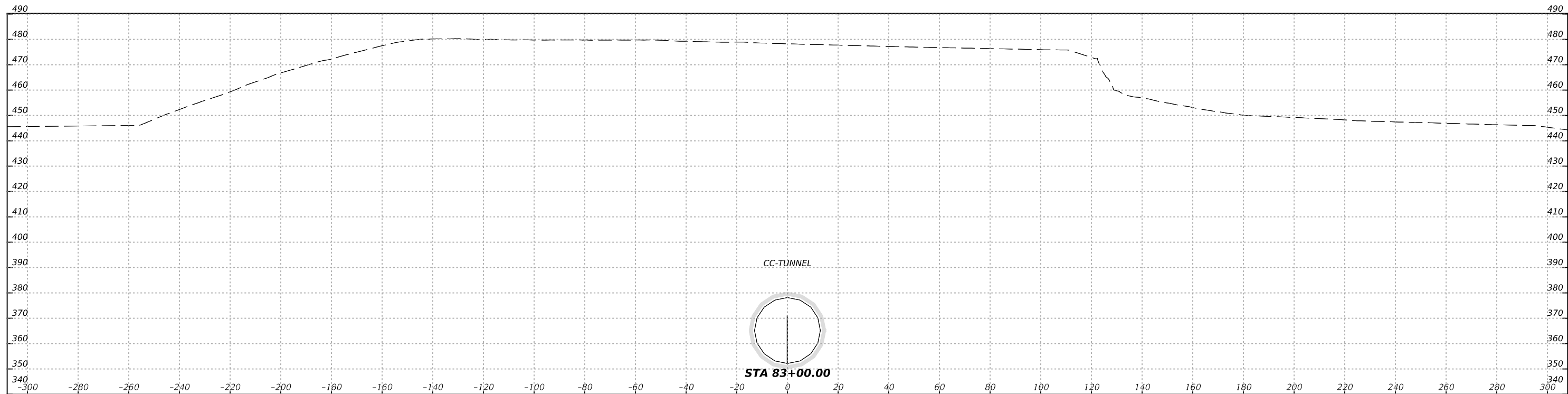


CAPITAL EXPRESS CENTRAL  
 Ç CESAR CHAVEZ TUNNEL  
 STA 82+50.00

SCALE: HORIZ: 1"=40'  
 VERT: 1"=40'

CONT	SECT	JOB	HIGHWAY
0015	13	433, ETC.	I-35
DIST			SHEET NO.
AUS	TRAVIS		687





NO.	DATE	REVISION	APPR BY



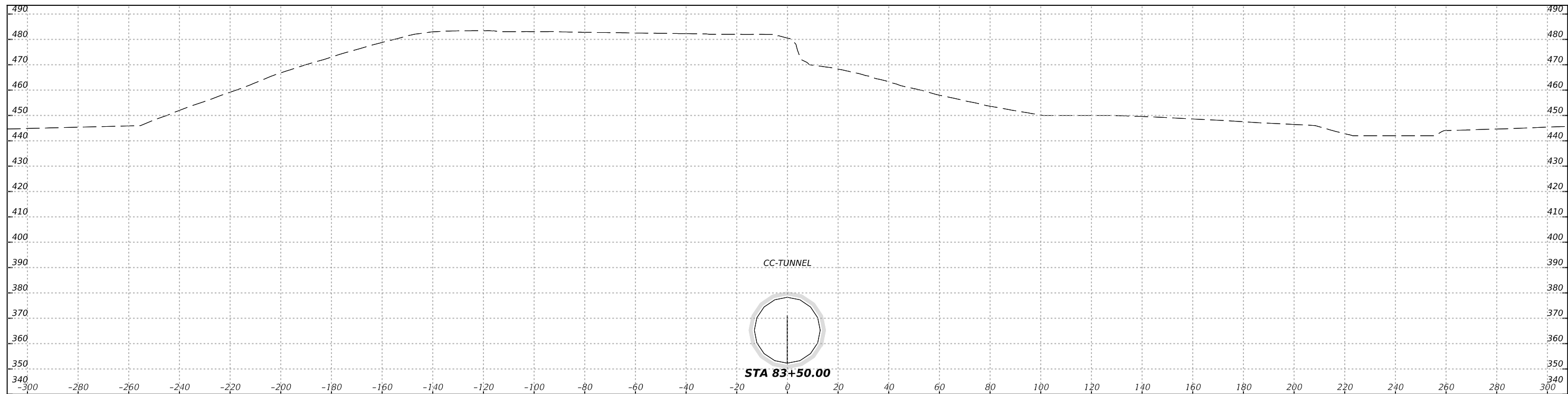
HDR Engineering, Inc.  
 Firm Registration No. F-754  
 710 Hester Crossing, Suite 150  
 Round Rock, Texas 78681



CAPITAL EXPRESS CENTRAL  
 Ç CESAR CHAVEZ TUNNEL  
 STA 83+00.00

SCALE: HORIZ: 1"=40'  
 VERT: 1"=40'

CONT	SECT	JOB	HIGHWAY
0015	13	433, ETC.	I-35
DIST			SHEET NO.
AUS	TRAVIS		688



NO.	DATE	REVISION	APPR BY



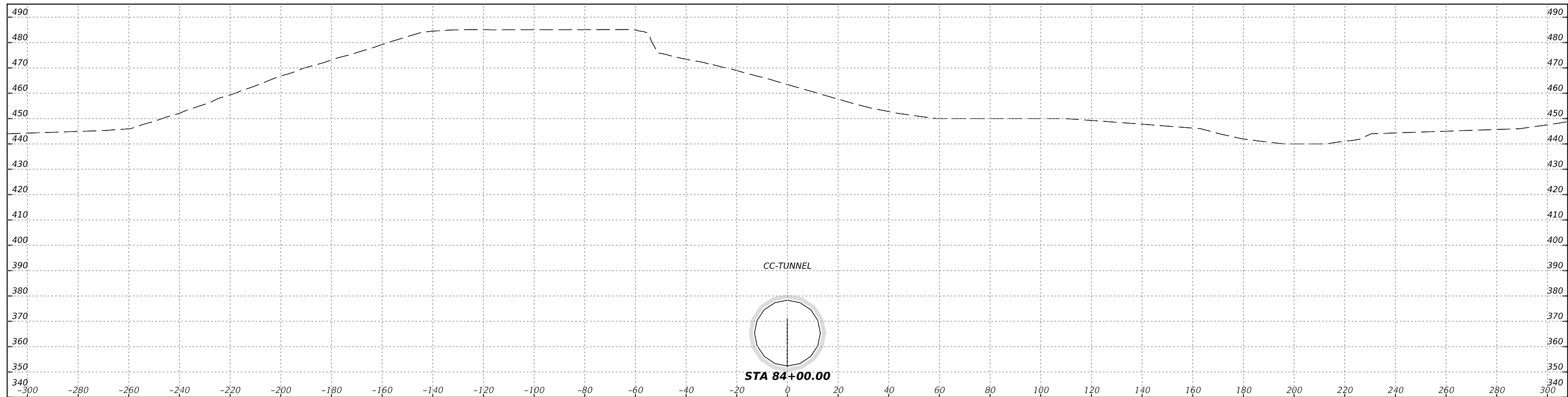
HDR Engineering, Inc.  
 Firm Registration No. F-754  
 710 Hester Crossing, Suite 150  
 Round Rock, Texas 78681



CAPITAL EXPRESS CENTRAL  
 Ç CESAR CHAVEZ TUNNEL  
 STA 83+50.00

SCALE: HORIZ: 1"=40'  
 VERT: 1"=40'

CONT	SECT	JOB	HIGHWAY
0015	13	433, ETC.	I-35
DIST			SHEET NO.
AUS	TRAVIS		689



NO.	DATE	REVISION	APPR BY



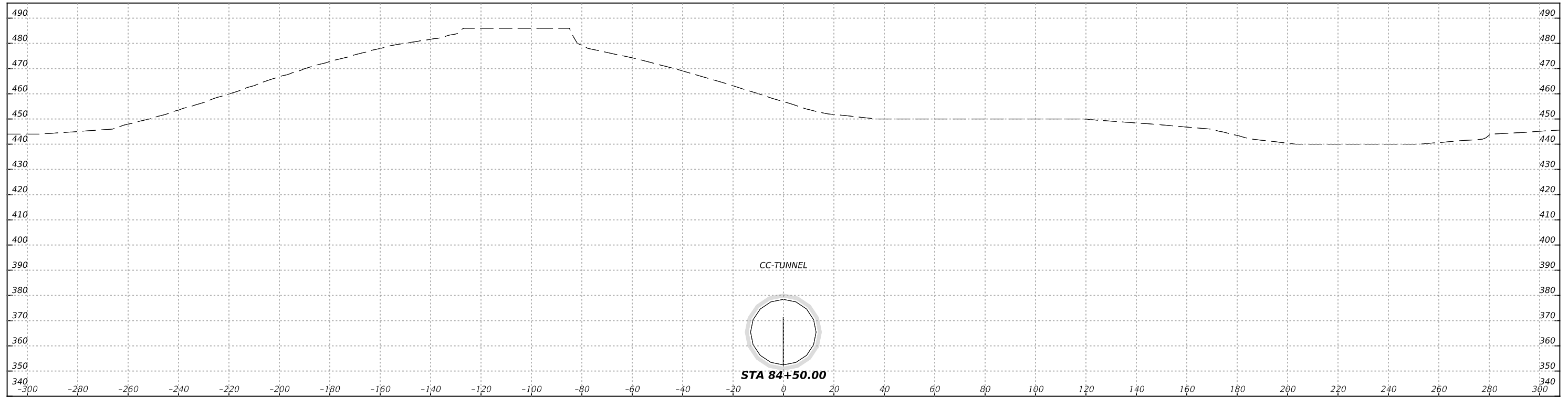
HDR Engineering, Inc.  
 Firm Registration No. F-754  
 710 Hester Crossing, Suite 150  
 Round Rock, Texas 78681



CAPITAL EXPRESS CENTRAL  
 Ç CESAR CHAVEZ TUNNEL  
 STA 84+00.00

SCALE: HORIZ: 1"=40'  
 VERT: 1"=40'

CONT	SECT	JOB	HIGHWAY
0015	13	433, ETC.	I-35
DIST COUNTY			SHEET NO.
AUS	TRAVIS		690



NO.	DATE	REVISION	APPR BY



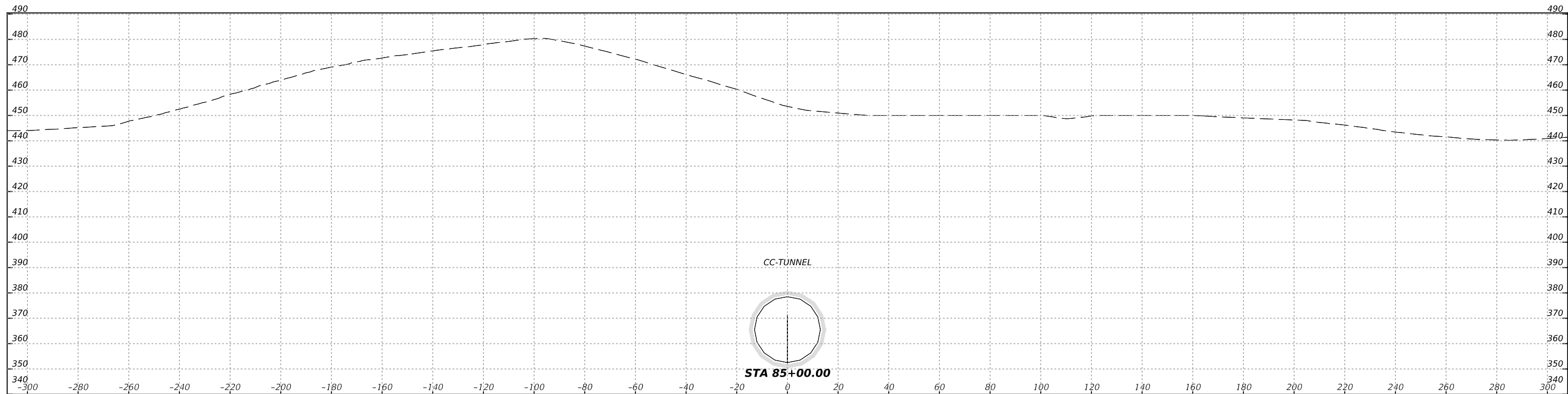
HDR Engineering, Inc.  
Firm Registration No. F-754  
710 Hester Crossing, Suite 150  
Round Rock, Texas 78681



CAPITAL EXPRESS CENTRAL  
☉ CESAR CHAVEZ TUNNEL  
STA 84+50.00

SCALE: HORIZ: 1"=40'  
VERT: 1"=40'

CONT	SECT	JOB	HIGHWAY
0015	13	433, ETC.	I-35
DIST			SHEET NO.
AUS	TRAVIS		691



NO.	DATE	REVISION	APPR BY



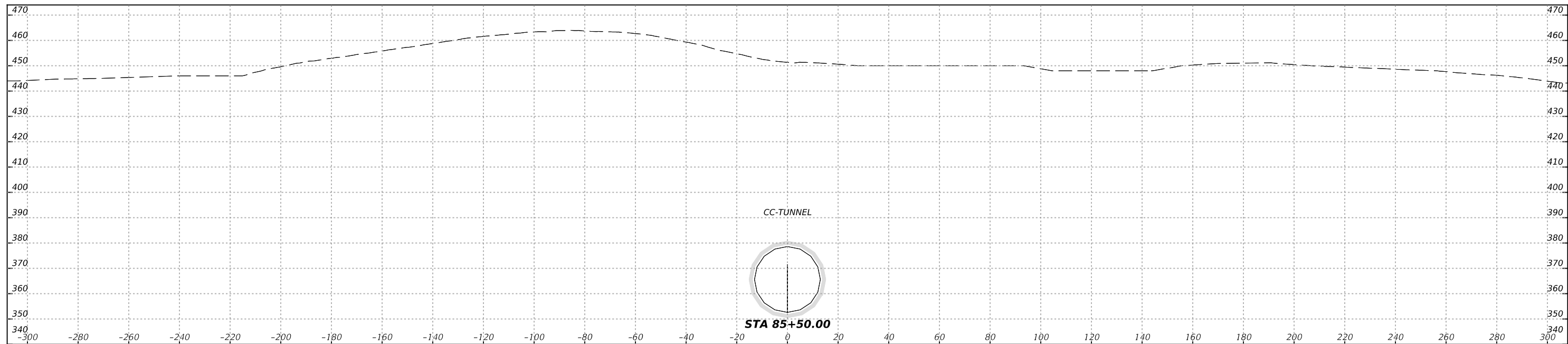
HDR Engineering, Inc.  
 Firm Registration No. F-754  
 710 Hester Crossing, Suite 150  
 Round Rock, Texas 78681



CAPITAL EXPRESS CENTRAL  
 Ç CESAR CHAVEZ TUNNEL  
 STA 85+00.00

SCALE: HORIZ: 1"=40'  
 VERT: 1"=40'

CONT	SECT	JOB	HIGHWAY
0015	13	433, ETC.	I-35
DIST	COUNTY		SHEET NO.
AUS	TRAVIS		692



NO.	DATE	REVISION	APPR BY



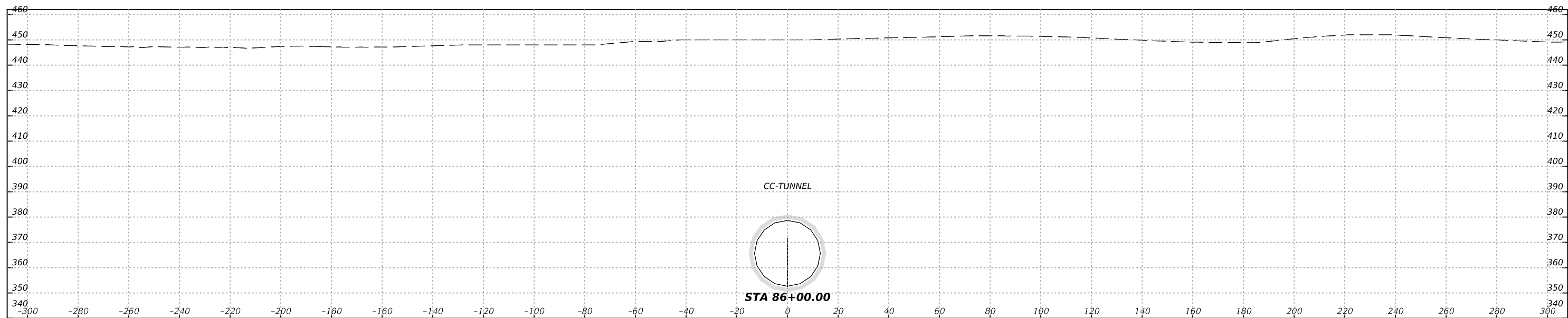
HDR Engineering, Inc.  
 Firm Registration No. F-754  
 710 Hester Crossing, Suite 150  
 Round Rock, Texas 78681



CAPITAL EXPRESS CENTRAL  
 Ç CESAR CHAVEZ TUNNEL  
 STA 85+50.00

SCALE: HORIZ: 1"=40'  
 VERT: 1"=40'

CONT	SECT	JOB	HIGHWAY
0015	13	433, ETC.	I-35
DIST			COUNTY
AUS			TRAVIS
SHEET NO.			693



NO.	DATE	REVISION	APPR BY



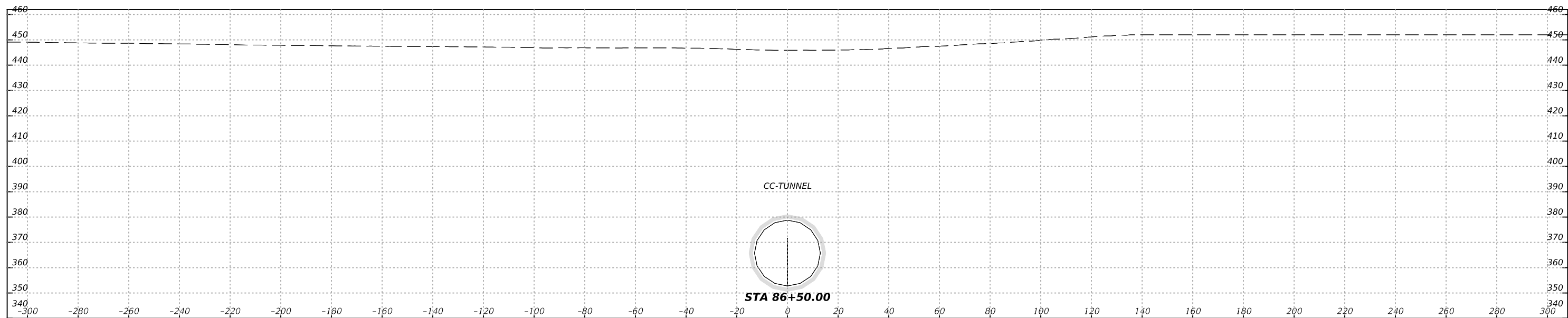
HDR Engineering, Inc.  
 Firm Registration No. F-754  
 710 Hester Crossing, Suite 150  
 Round Rock, Texas 78681



CAPITAL EXPRESS CENTRAL  
 Ç CESAR CHAVEZ TUNNEL  
 STA 86+00.00

SCALE: HORIZ: 1"=40'  
 VERT: 1"=40'

CONT	SECT	JOB	HIGHWAY
0015	13	433, ETC.	I-35
DIST			SHEET NO.
AUS	TRAVIS		694



NO.	DATE	REVISION	APPR BY



HDR Engineering, Inc.  
 Firm Registration No. F-754  
 710 Hester Crossing, Suite 150  
 Round Rock, Texas 78681

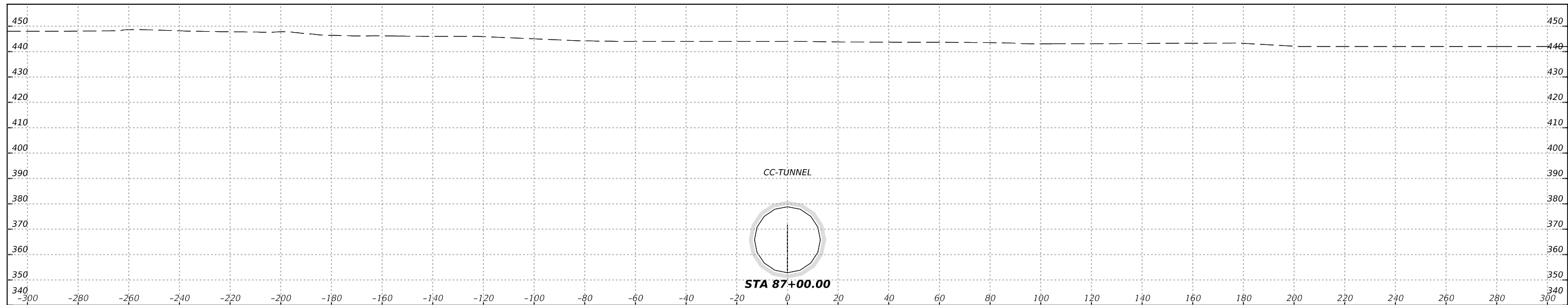


CAPITAL EXPRESS CENTRAL  
 Ç CESAR CHAVEZ TUNNEL  
 STA 86+50.00

SCALE: HORIZ: 1"=40'  
 VERT: 1"=40'

CONT	SECT	JOB	HIGHWAY
0015	13	433, ETC.	I-35
DIST			COUNTY
AUS			TRAVIS
SHEET NO.			SHEET NO.
			695





NO.	DATE	REVISION	APPR BY



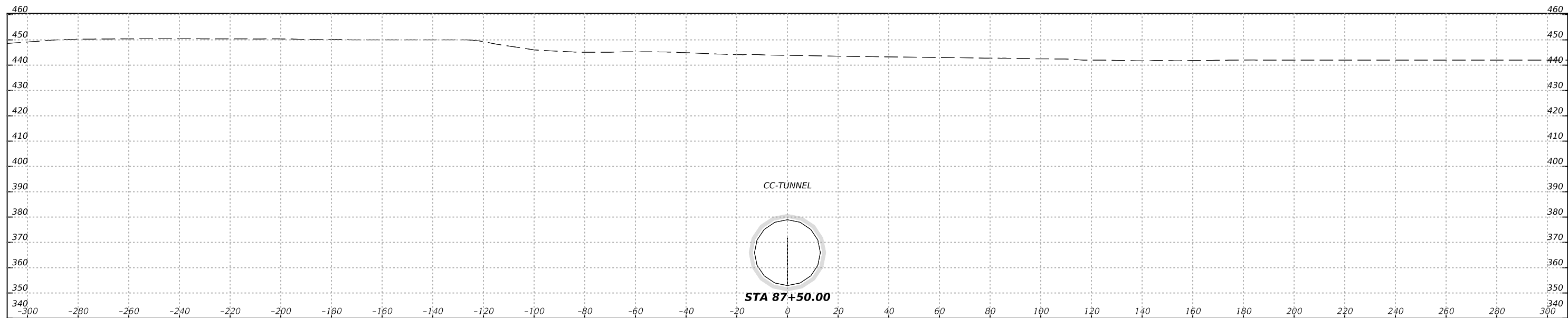
HDR Engineering, Inc.  
 Firm Registration No. F-754  
 710 Hester Crossing, Suite 150  
 Round Rock, Texas 78681



CAPITAL EXPRESS CENTRAL  
 Ç CESAR CHAVEZ TUNNEL  
 STA 87+00.00

SCALE: HORIZ: 1"=40'  
 VERT: 1"=40'

CONT	SECT	JOB	HIGHWAY
0015	13	433, ETC.	I-35
DIST			COUNTY
AUS			TRAVIS
SHEET NO.			SHEET NO.
			696



NO.	DATE	REVISION	APPR BY



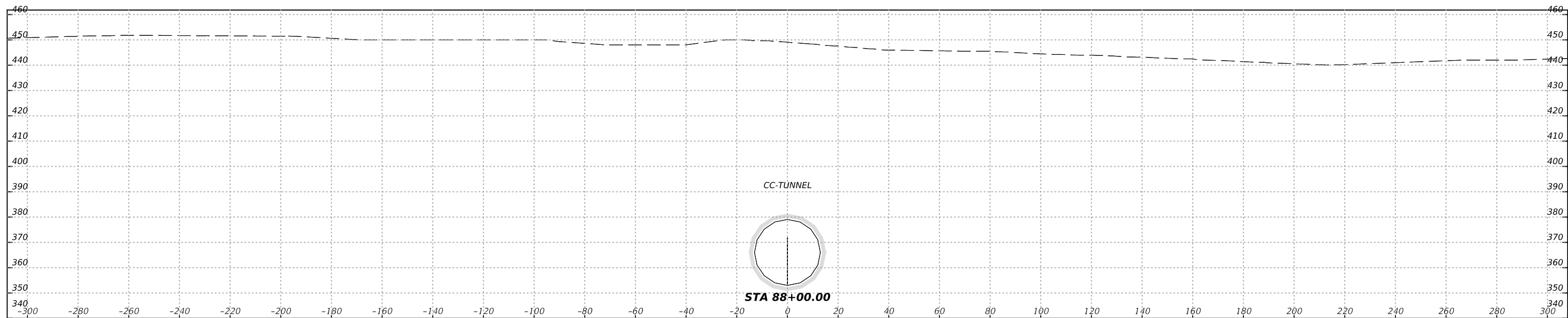
HDR Engineering, Inc.  
 Firm Registration No. F-754  
 710 Hester Crossing, Suite 150  
 Round Rock, Texas 78681



CAPITAL EXPRESS CENTRAL  
 Ç CESAR CHAVEZ TUNNEL  
 STA 87+50.00

SCALE: HORIZ: 1"=40'  
 VERT: 1"=40'

CONT	SECT	JOB	HIGHWAY
0015	13	433, ETC.	I-35
DIST			COUNTY
AUS			TRAVIS
SHEET NO.			SHEET NO.
			697



NO.	DATE	REVISION	APPR BY



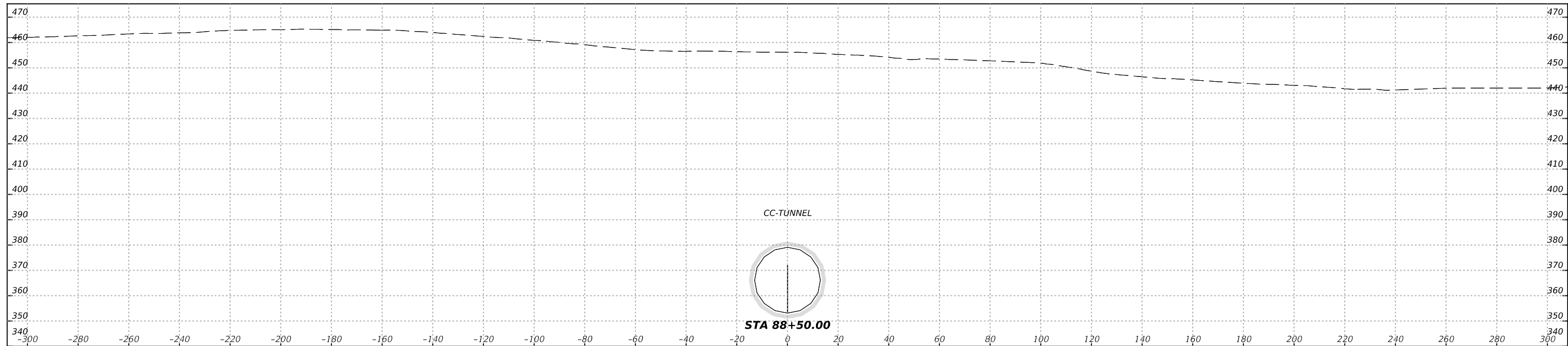
HDR Engineering, Inc.  
 Firm Registration No. F-754  
 710 Hester Crossing, Suite 150  
 Round Rock, Texas 78681



CAPITAL EXPRESS CENTRAL  
 Ç CESAR CHAVEZ TUNNEL  
 STA 88+00.00

SCALE: HORIZ: 1"=40'  
 VERT: 1"=40'

CONT	SECT	JOB	HIGHWAY
0015	13	433, ETC.	I-35
DIST COUNTY			SHEET NO.
AUS	TRAVIS	698	



NO.	DATE	REVISION	APPR BY



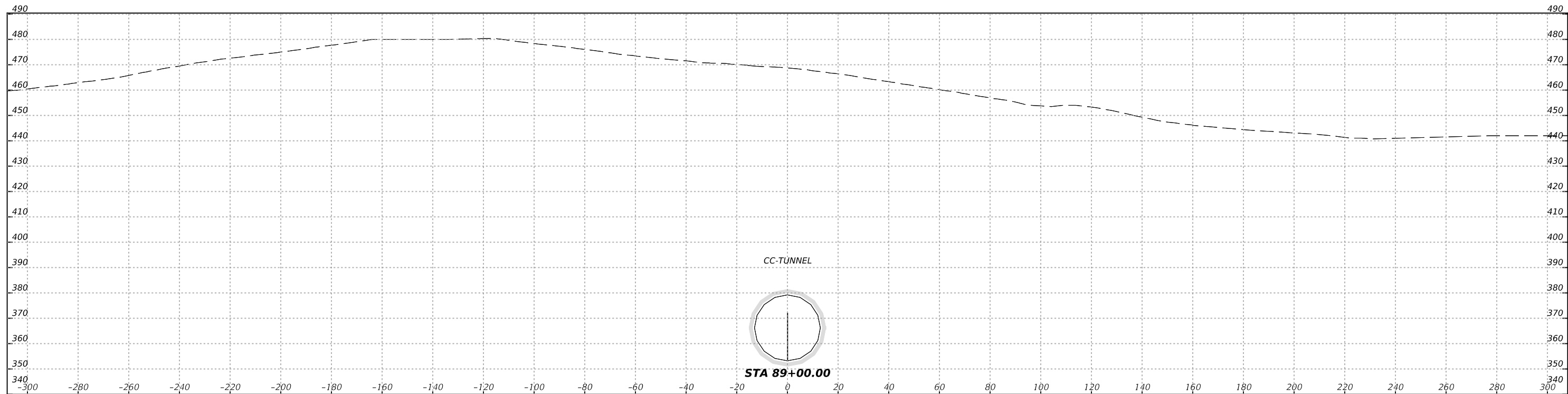
HDR Engineering, Inc.  
 Firm Registration No. F-754  
 710 Hester Crossing, Suite 150  
 Round Rock, Texas 78681



CAPITAL EXPRESS CENTRAL  
 Ç CESAR CHAVEZ TUNNEL  
 STA 88+50.00

SCALE: HORIZ: 1"=40'  
 VERT: 1"=40'

CONT	SECT	JOB	HIGHWAY
0015	13	433, ETC.	I-35
DIST COUNTY			SHEET NO.
AUS	TRAVIS		699



NO.	DATE	REVISION	APPR BY



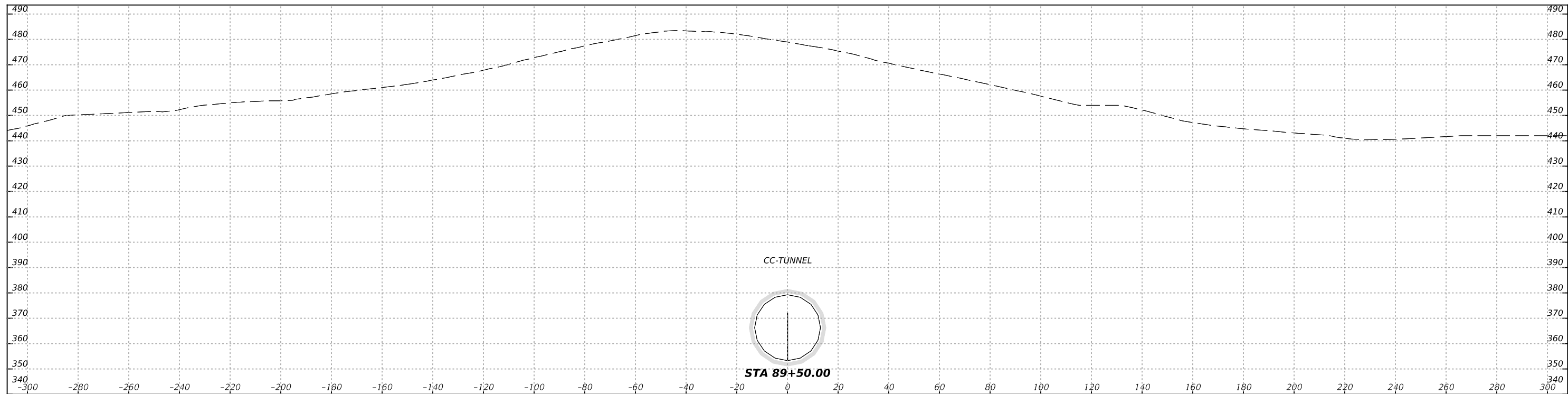
HDR Engineering, Inc.  
 Firm Registration No. F-754  
 710 Hester Crossing, Suite 150  
 Round Rock, Texas 78681



CAPITAL EXPRESS CENTRAL  
 Ç CESAR CHAVEZ TUNNEL  
 STA 89+00.00

SCALE: HORIZ: 1"=40'  
 VERT: 1"=40'

CONT	SECT	JOB	HIGHWAY
0015	13	433, ETC.	I-35
DIST COUNTY			SHEET NO.
AUS	TRAVIS		700



NO.	DATE	REVISION	APPR BY



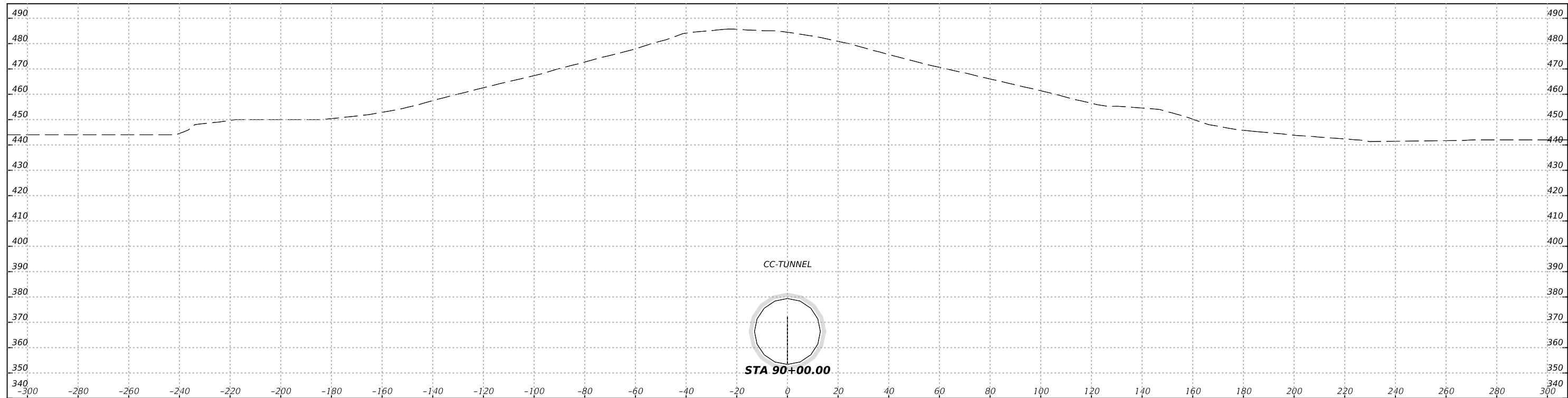
HDR Engineering, Inc.  
 Firm Registration No. F-754  
 710 Hester Crossing, Suite 150  
 Round Rock, Texas 78681



CAPITAL EXPRESS CENTRAL  
 Ç CESAR CHAVEZ TUNNEL  
 STA 89+50.00

SCALE: HORIZ: 1"=40'  
 VERT: 1"=40'

CONT	SECT	JOB	HIGHWAY
0015	13	433, ETC.	I-35
DIST	COUNTY		SHEET NO.
AUS	TRAVIS		701



NO.	DATE	REVISION	APPR BY



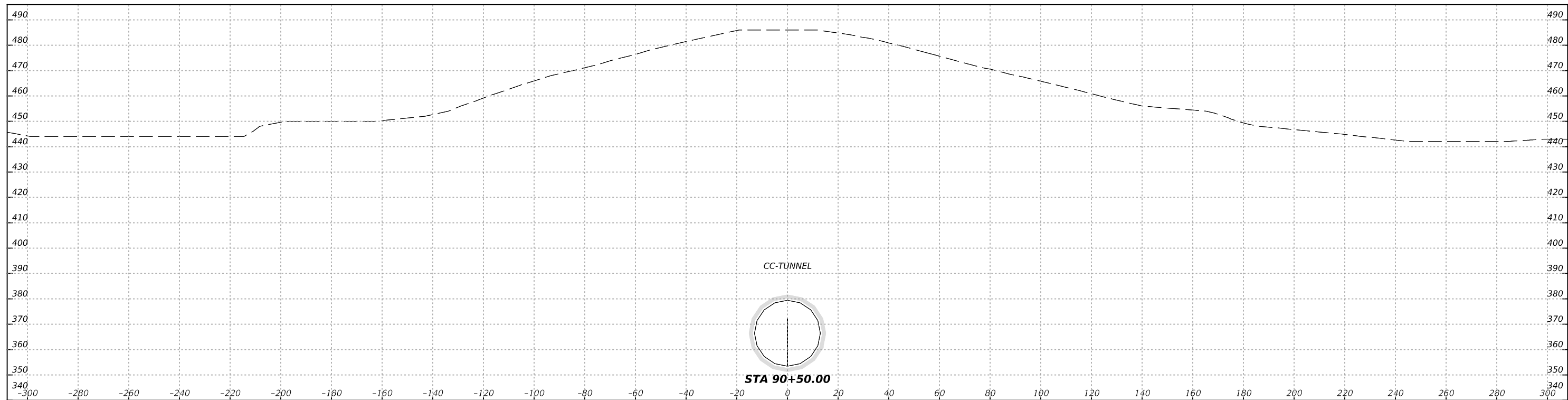
HDR Engineering, Inc.  
 Firm Registration No. F-754  
 710 Hester Crossing, Suite 150  
 Round Rock, Texas 78681



CAPITAL EXPRESS CENTRAL  
 Ç CESAR CHAVEZ TUNNEL  
 STA 90+00.00

SCALE: HORIZ: 1"=40'  
 VERT: 1"=40'

CONT	SECT	JOB	HIGHWAY
0015	13	433, ETC.	I-35
DIST COUNTY			SHEET NO.
AUS	TRAVIS		702



NO.	DATE	REVISION	APPR BY



HDR Engineering, Inc.  
 Firm Registration No. F-754  
 710 Hester Crossing, Suite 150  
 Round Rock, Texas 78681

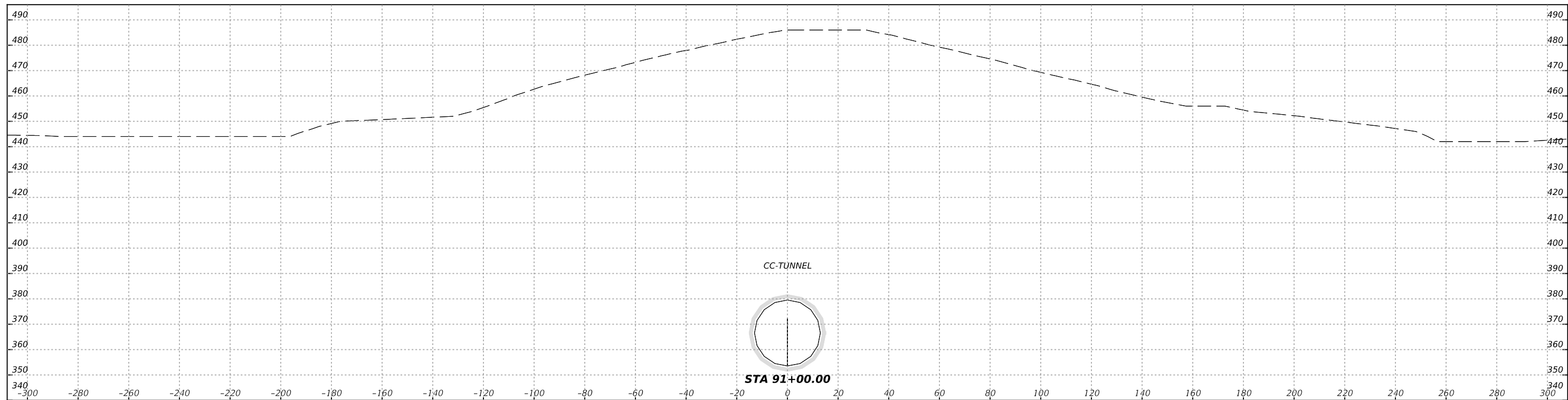


CAPITAL EXPRESS CENTRAL  
 Ç CESAR CHAVEZ TUNNEL  
 STA 90+50.00

SCALE: HORIZ: 1"=40'  
 VERT: 1"=40'

CONT	SECT	JOB	HIGHWAY
0015	13	433, ETC.	I-35
DIST	COUNTY		SHEET NO.
AUS	TRAVIS		703





NO.	DATE	REVISION	APPR BY



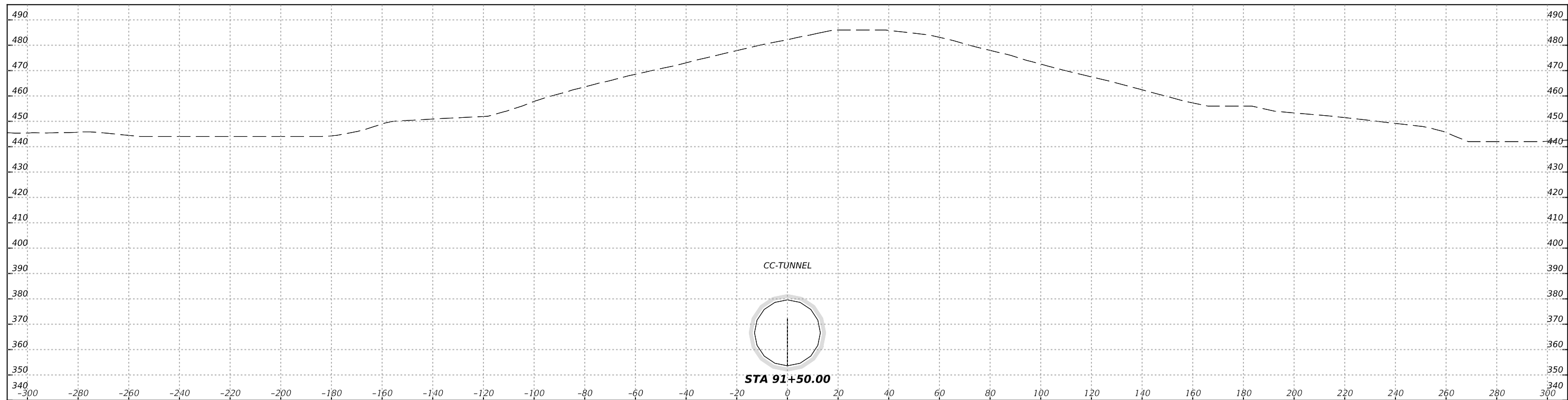
HDR Engineering, Inc.  
 Firm Registration No. F-754  
 710 Hester Crossing, Suite 150  
 Round Rock, Texas 78681



CAPITAL EXPRESS CENTRAL  
 Ç CESAR CHAVEZ TUNNEL  
 STA 91+00.00

SCALE: HORIZ: 1"=40'  
 VERT: 1"=40'

CONT	SECT	JOB	HIGHWAY
0015	13	433, ETC.	I-35
DIST			SHEET NO.
AUS	TRAVIS		704



NO.	DATE	REVISION	APPR BY



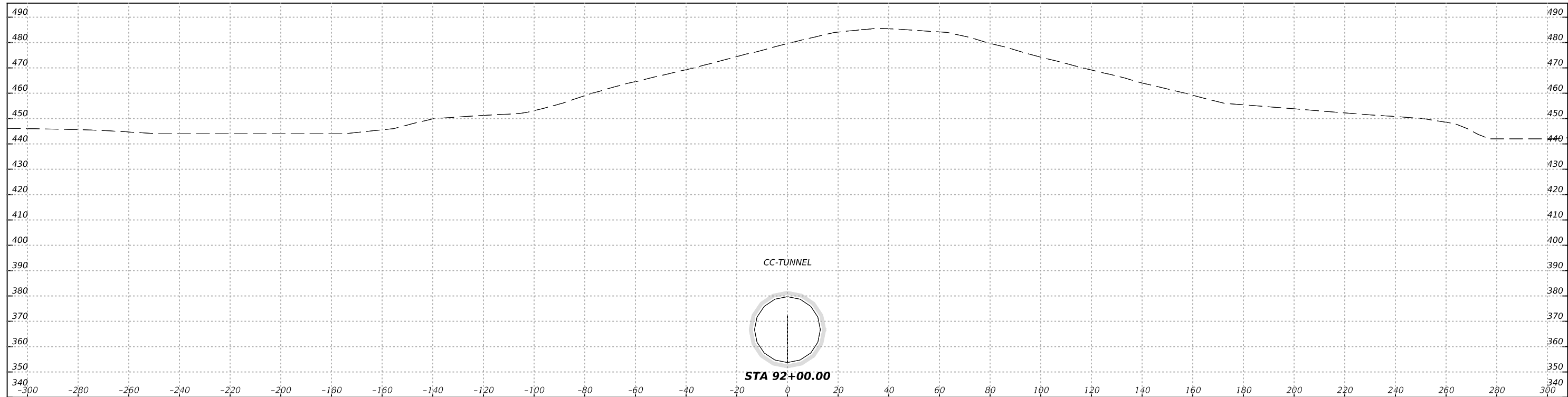
HDR Engineering, Inc.  
 Firm Registration No. F-754  
 710 Hester Crossing, Suite 150  
 Round Rock, Texas 78681



CAPITAL EXPRESS CENTRAL  
 Ç CESAR CHAVEZ TUNNEL  
 STA 91+50.00

SCALE: HORIZ: 1"=40'  
 VERT: 1"=40'

CONT	SECT	JOB	HIGHWAY
0015	13	433, ETC.	I-35
DIST			SHEET NO.
AUS	TRAVIS		705



NO.	DATE	REVISION	APPR BY



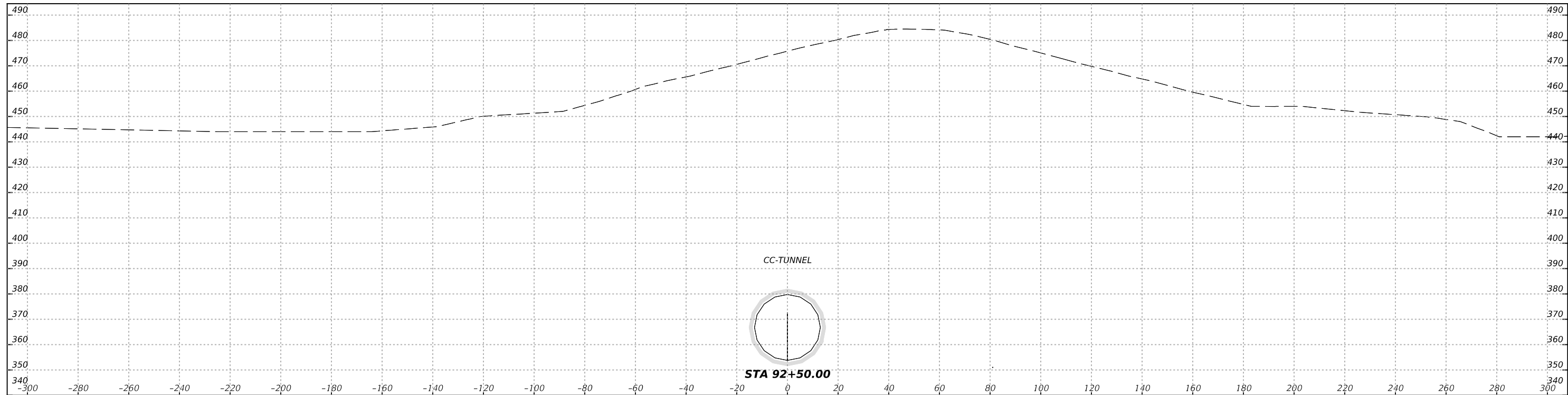
HDR Engineering, Inc.  
 Firm Registration No. F-754  
 710 Hester Crossing, Suite 150  
 Round Rock, Texas 78681



CAPITAL EXPRESS CENTRAL  
 Ç CESAR CHAVEZ TUNNEL  
 STA 92+00.00

SCALE: HORIZ: 1"=40'  
 VERT: 1"=40'

CONT	SECT	JOB	HIGHWAY
0015	13	433, ETC.	I-35
DIST COUNTY			SHEET NO.
AUS	TRAVIS		706



NO.	DATE	REVISION	APPR BY



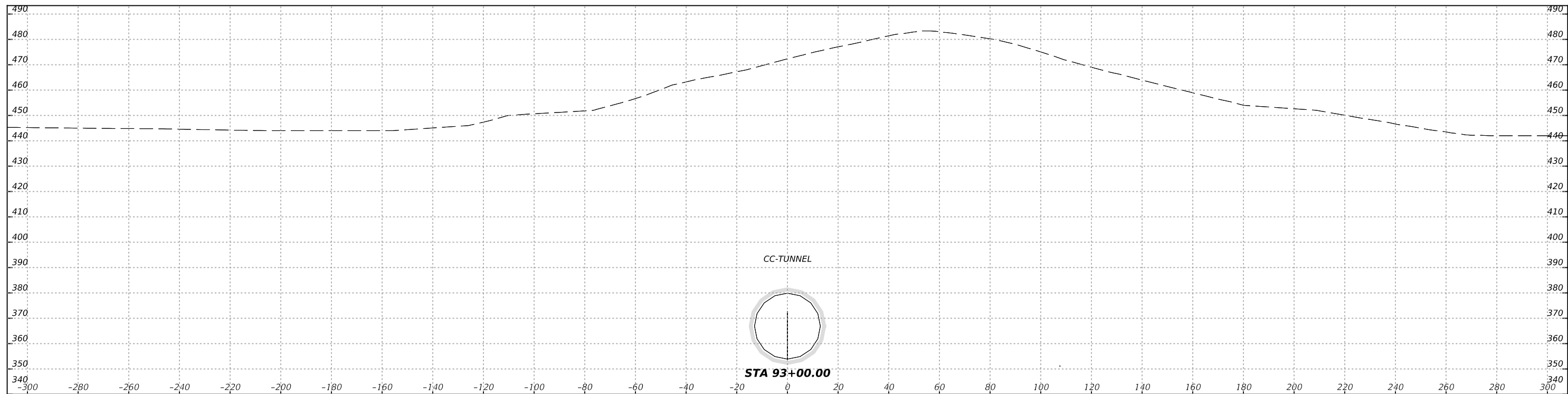
HDR Engineering, Inc.  
 Firm Registration No. F-754  
 710 Hester Crossing, Suite 150  
 Round Rock, Texas 78681



CAPITAL EXPRESS CENTRAL  
 Ç CESAR CHAVEZ TUNNEL  
 STA 92+50.00

SCALE: HORIZ: 1"=40'  
 VERT: 1"=40'

CONT	SECT	JOB	HIGHWAY
0015	13	433, ETC.	I-35
DIST COUNTY			SHEET NO.
AUS	TRAVIS		707



NO.	DATE	REVISION	APPR BY



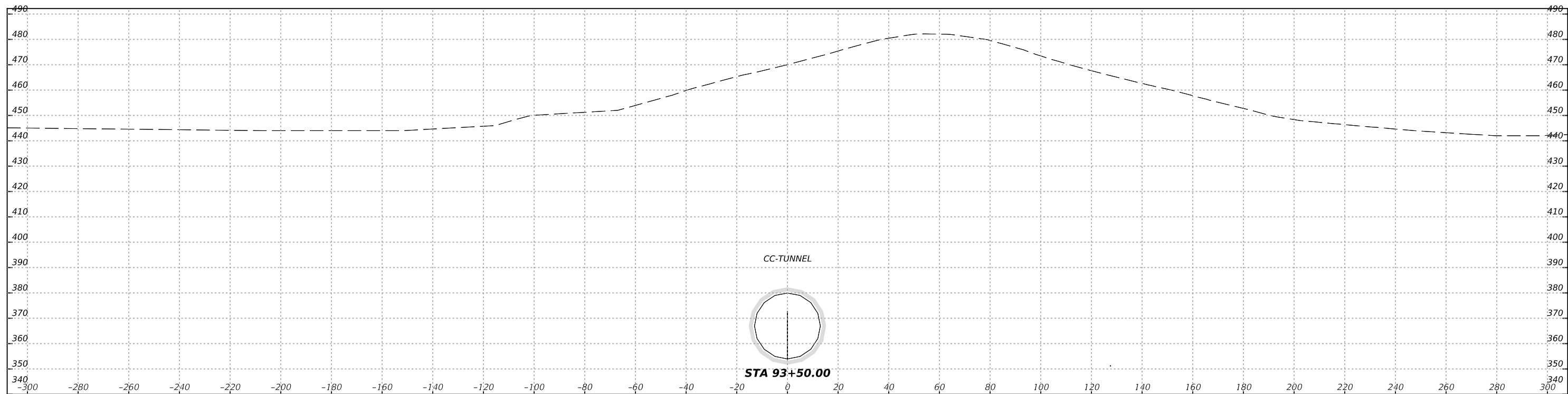
HDR Engineering, Inc.  
 Firm Registration No. F-754  
 710 Hester Crossing, Suite 150  
 Round Rock, Texas 78681



CAPITAL EXPRESS CENTRAL  
 Ç CESAR CHAVEZ TUNNEL  
 STA 93+00.00

SCALE: HORIZ: 1"=40'  
 VERT: 1"=40'

CONT	SECT	JOB	HIGHWAY
0015	13	433, ETC.	I-35
DIST COUNTY			SHEET NO.
AUS	TRAVIS		708



NO.	DATE	REVISION	APPR BY



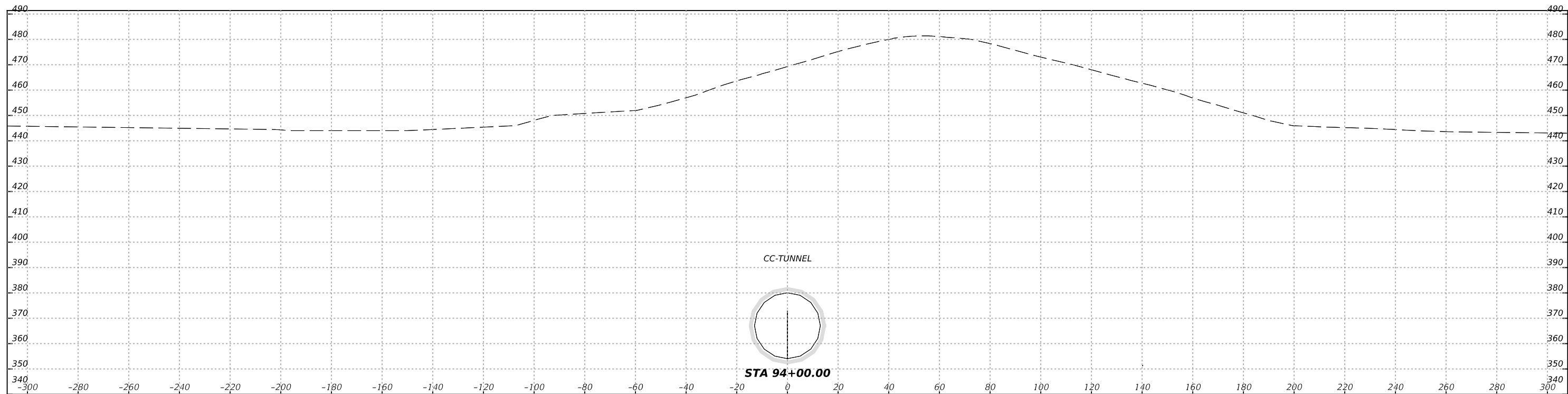
HDR Engineering, Inc.  
 Firm Registration No. F-754  
 710 Hester Crossing, Suite 150  
 Round Rock, Texas 78681



CAPITAL EXPRESS CENTRAL  
 Ç CESAR CHAVEZ TUNNEL  
 STA 93+50.00

SCALE: HORIZ: 1"=40'  
 VERT: 1"=40'

CONT	SECT	JOB	HIGHWAY
0015	13	433, ETC.	I-35
DIST COUNTY			SHEET NO.
AUS	TRAVIS		709



NO.	DATE	REVISION	APPR BY



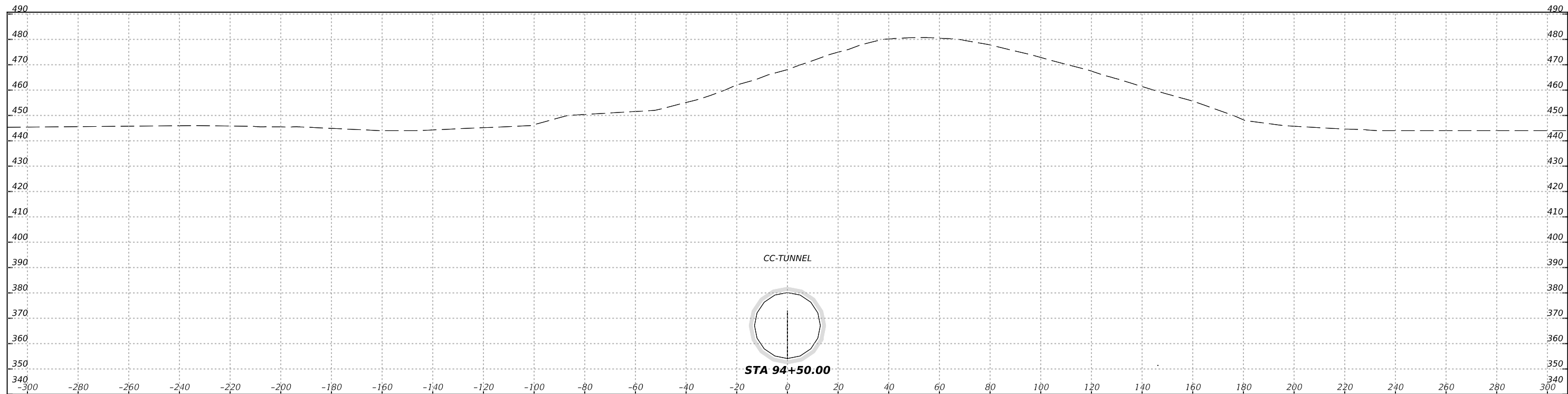
HDR Engineering, Inc.  
 Firm Registration No. F-754  
 710 Hester Crossing, Suite 150  
 Round Rock, Texas 78681



CAPITAL EXPRESS CENTRAL  
 Ç CESAR CHAVEZ TUNNEL  
 STA 94+00.00

SCALE: HORIZ: 1"=40'  
 VERT: 1"=40'

CONT	SECT	JOB	HIGHWAY
0015	13	433, ETC.	I-35
DIST COUNTY			SHEET NO.
AUS	TRAVIS		710



NO.	DATE	REVISION	APPR BY



HDR Engineering, Inc.  
 Firm Registration No. F-754  
 710 Hester Crossing, Suite 150  
 Round Rock, Texas 78681

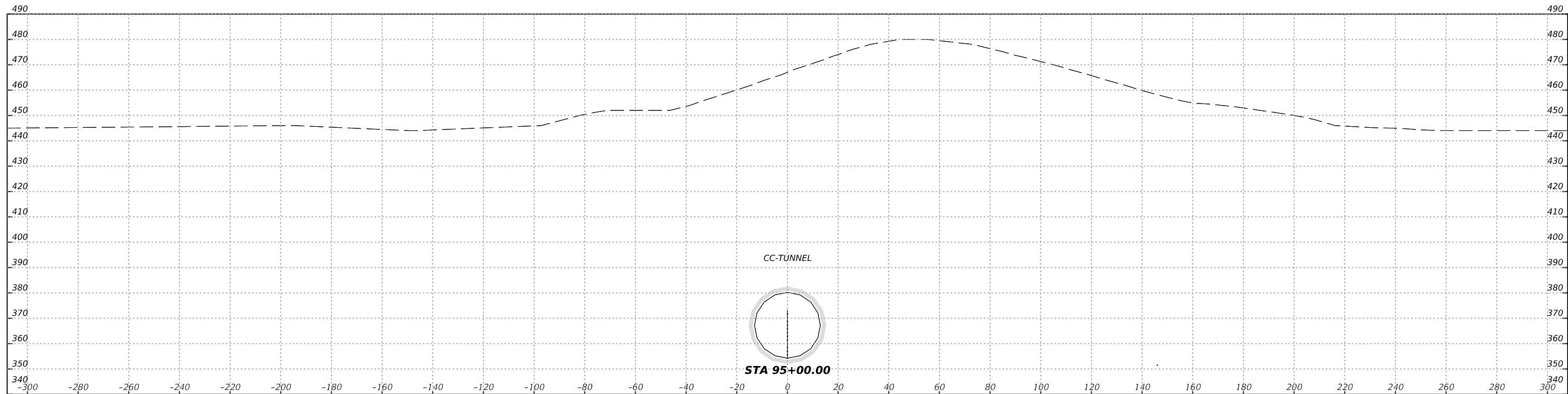


CAPITAL EXPRESS CENTRAL  
 Ç CESAR CHAVEZ TUNNEL  
 STA 94+50.00

SCALE: HORIZ: 1"=40'  
 VERT: 1"=40'

CONT	SECT	JOB	HIGHWAY
0015	13	433, ETC.	I-35
DIST COUNTY			SHEET NO.
AUS	TRAVIS		711





NO.	DATE	REVISION	APPR BY



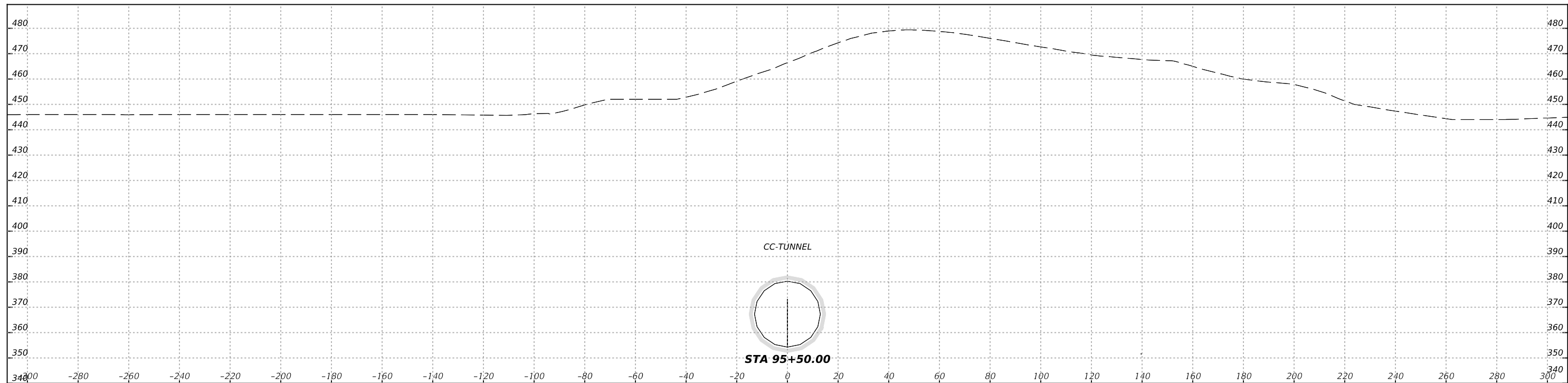
HDR Engineering, Inc.  
 Firm Registration No. F-754  
 710 Hester Crossing, Suite 150  
 Round Rock, Texas 78681



CAPITAL EXPRESS CENTRAL  
 Ç CESAR CHAVEZ TUNNEL  
 STA 95+00.00

SCALE: HORIZ: 1"=40'  
 VERT: 1"=40'

CONT	SECT	JOB	HIGHWAY
0015	13	433, ETC.	I-35
DIST COUNTY			SHEET NO.
AUS	TRAVIS		712



NO.	DATE	REVISION	APPR BY



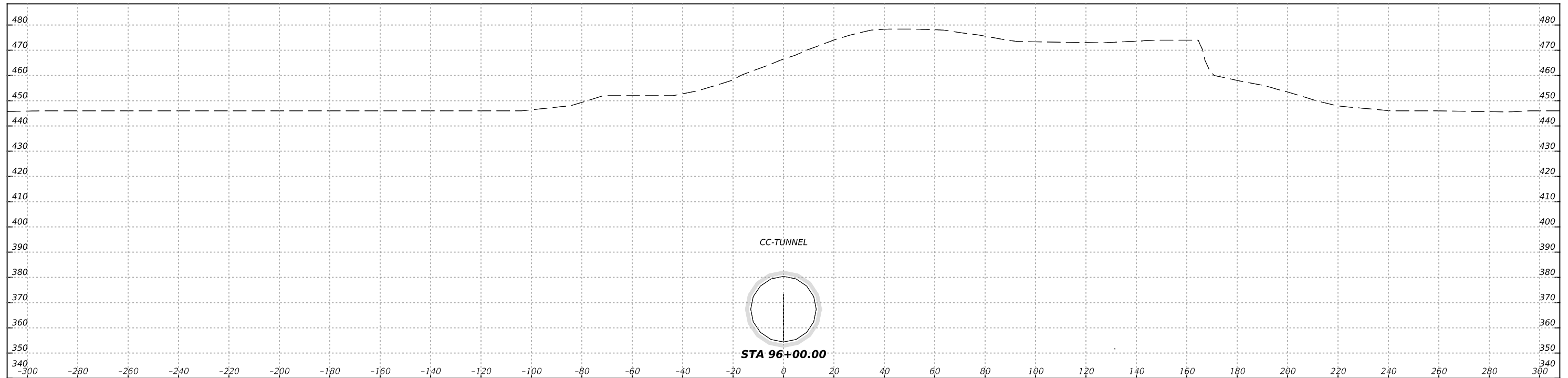
HDR Engineering, Inc.  
 Firm Registration No. F-754  
 710 Hester Crossing, Suite 150  
 Round Rock, Texas 78681



CAPITAL EXPRESS CENTRAL  
 Ç CESAR CHAVEZ TUNNEL  
 STA 95+50.00

SCALE: HORIZ: 1"=40'  
 VERT: 1"=40'

CONT	SECT	JOB	HIGHWAY
0015	13	433, ETC.	I-35
DIST	COUNTY		SHEET NO.
AUS	TRAVIS		713



NO.	DATE	REVISION	APPR BY



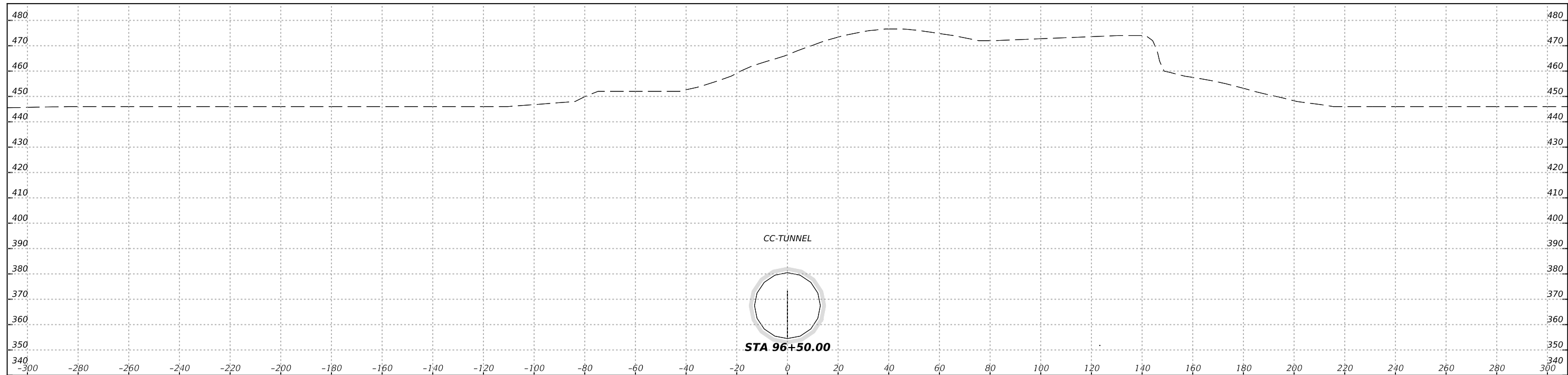
HDR Engineering, Inc.  
 Firm Registration No. F-754  
 710 Hester Crossing, Suite 150  
 Round Rock, Texas 78681



CAPITAL EXPRESS CENTRAL  
 Ç CESAR CHAVEZ TUNNEL  
 STA 96+00.00

SCALE: HORIZ: 1"=40'  
 VERT: 1"=40'

CONT	SECT	JOB	HIGHWAY
0015	13	433, ETC.	I-35
DIST		COUNTY	SHEET NO.
AUS		TRAVIS	714



NO.	DATE	REVISION	APPR BY



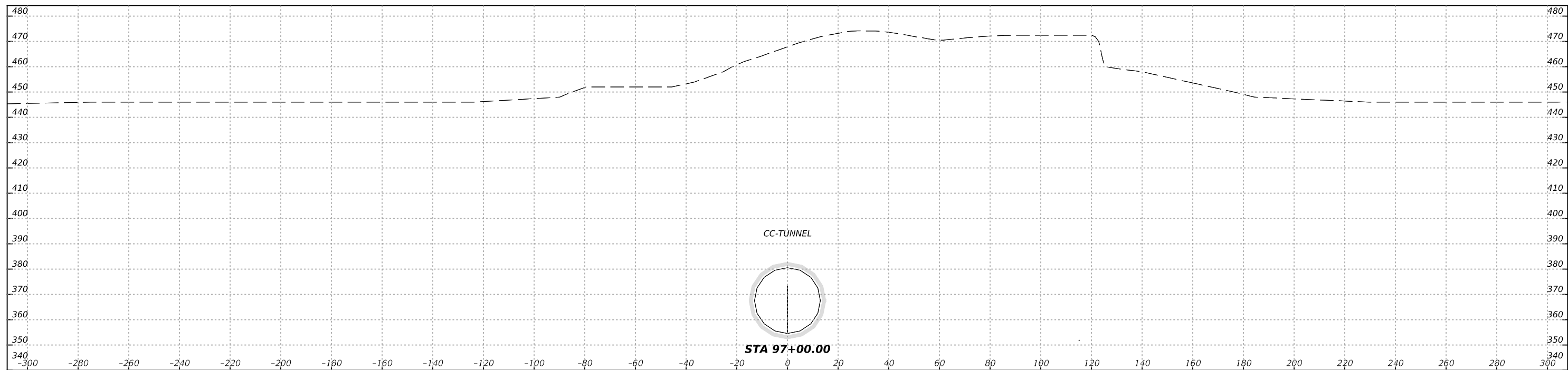
HDR Engineering, Inc.  
 Firm Registration No. F-754  
 710 Hester Crossing, Suite 150  
 Round Rock, Texas 78681



CAPITAL EXPRESS CENTRAL  
 Ç CESAR CHAVEZ TUNNEL  
 STA 96+50.00

SCALE: HORIZ: 1"=40'  
 VERT: 1"=40'

CONT	SECT	JOB	HIGHWAY
0015	13	433, ETC.	I-35
DIST	COUNTY		SHEET NO.
AUS	TRAVIS		715



NO.	DATE	REVISION	APPR BY



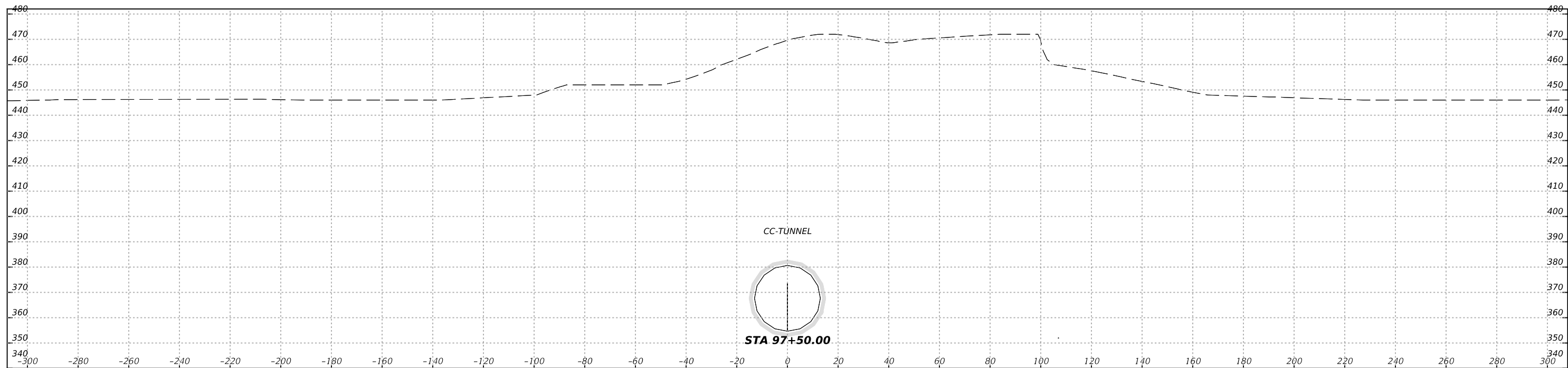
HDR Engineering, Inc.  
 Firm Registration No. F-754  
 710 Hester Crossing, Suite 150  
 Round Rock, Texas 78681



CAPITAL EXPRESS CENTRAL  
 Ç CESAR CHAVEZ TUNNEL  
 STA 97+00.00

SCALE: HORIZ: 1"=40'  
 VERT: 1"=40'

CONT	SECT	JOB	HIGHWAY
0015	13	433, ETC.	I-35
DIST			COUNTY
AUS			TRAVIS
SHEET NO.			716



NO.	DATE	REVISION	APPR BY



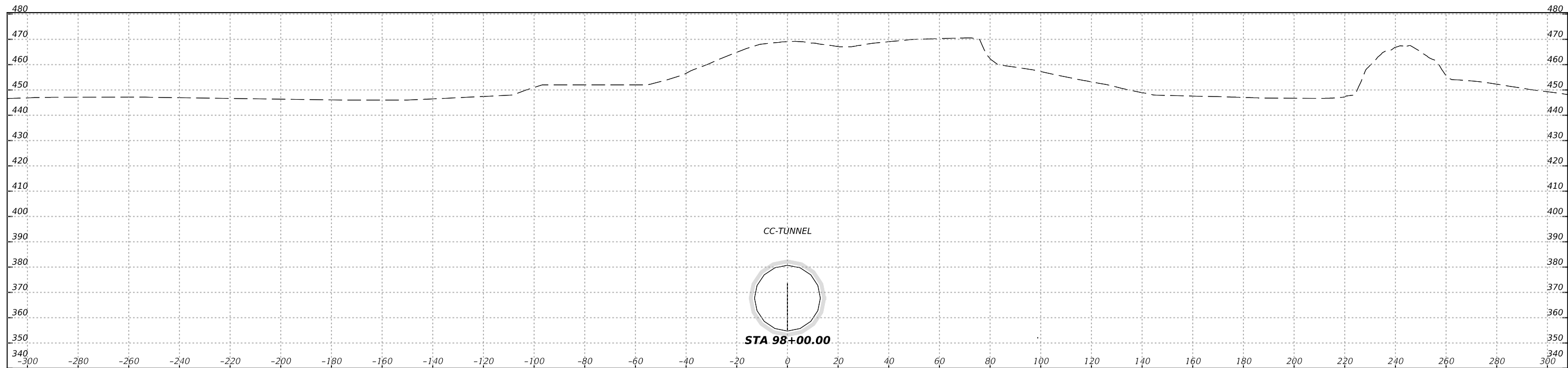
HDR Engineering, Inc.  
 Firm Registration No. F-754  
 710 Hester Crossing, Suite 150  
 Round Rock, Texas 78681



CAPITAL EXPRESS CENTRAL  
 Ç CESAR CHAVEZ TUNNEL  
 STA 97+50.00

SCALE: HORIZ: 1"=40'  
 VERT: 1"=40'

CONT	SECT	JOB	HIGHWAY
0015	13	433, ETC.	I-35
DIST			SHEET NO.
AUS	TRAVIS		717



NO.	DATE	REVISION	APPR BY



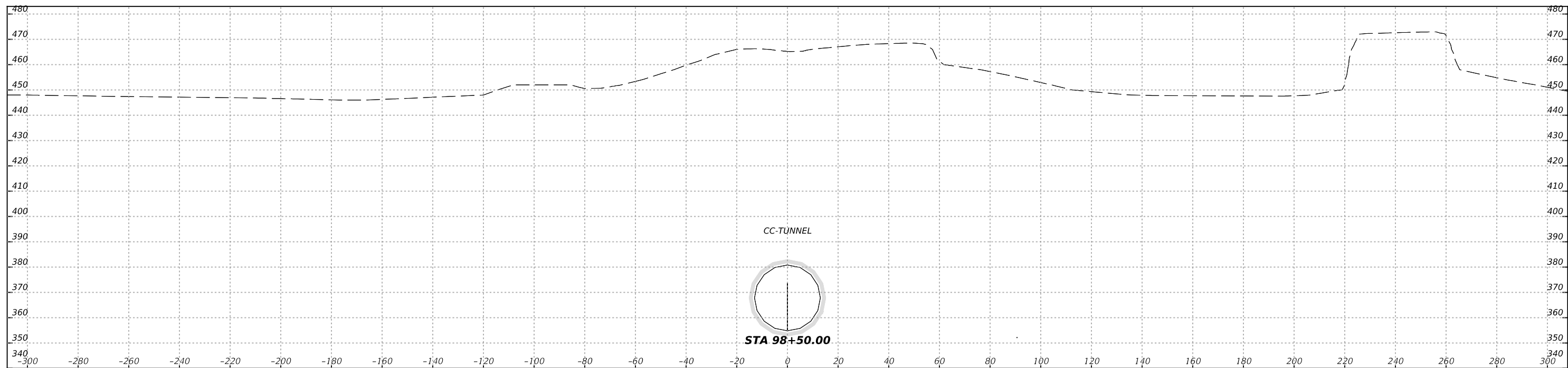
HDR Engineering, Inc.  
 Firm Registration No. F-754  
 710 Hester Crossing, Suite 150  
 Round Rock, Texas 78681



CAPITAL EXPRESS CENTRAL  
 Ç CESAR CHAVEZ TUNNEL  
 STA 98+00.00

SCALE: HORIZ: 1"=40'  
 VERT: 1"=40'

CONT	SECT	JOB	HIGHWAY
0015	13	433, ETC.	I-35
DIST	COUNTY		SHEET NO.
AUS	TRAVIS		718



NO.	DATE	REVISION	APPR BY



HDR Engineering, Inc.  
 Firm Registration No. F-754  
 710 Hester Crossing, Suite 150  
 Round Rock, Texas 78681

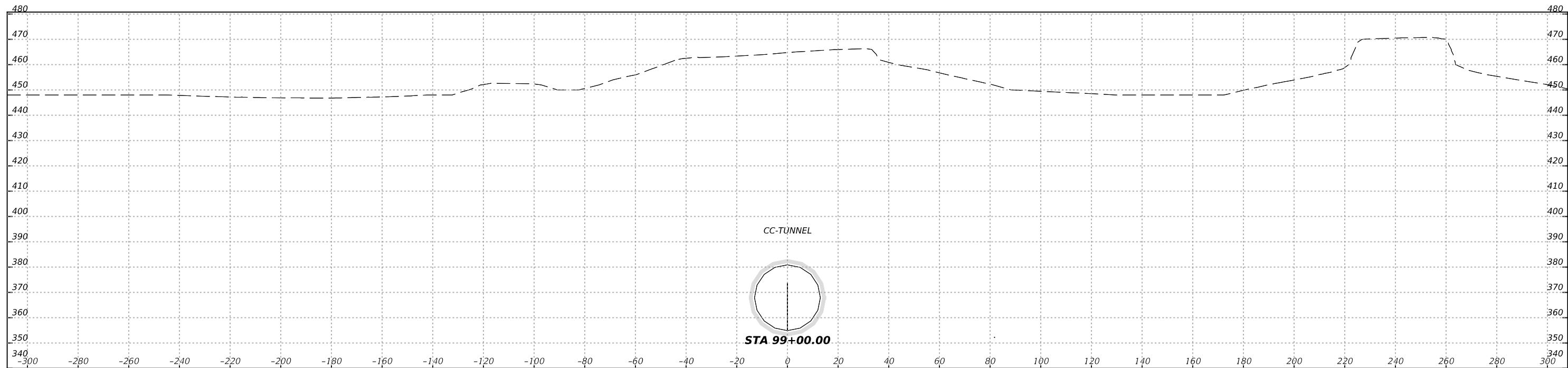


CAPITAL EXPRESS CENTRAL  
 Ç CESAR CHAVEZ TUNNEL  
 STA 98+50.00

SCALE: HORIZ: 1"=40'  
 VERT: 1"=40'

CONT	SECT	JOB	HIGHWAY
0015	13	433, ETC.	I-35
DIST	COUNTY		SHEET NO.
AUS	TRAVIS		719





NO.	DATE	REVISION	APPR BY



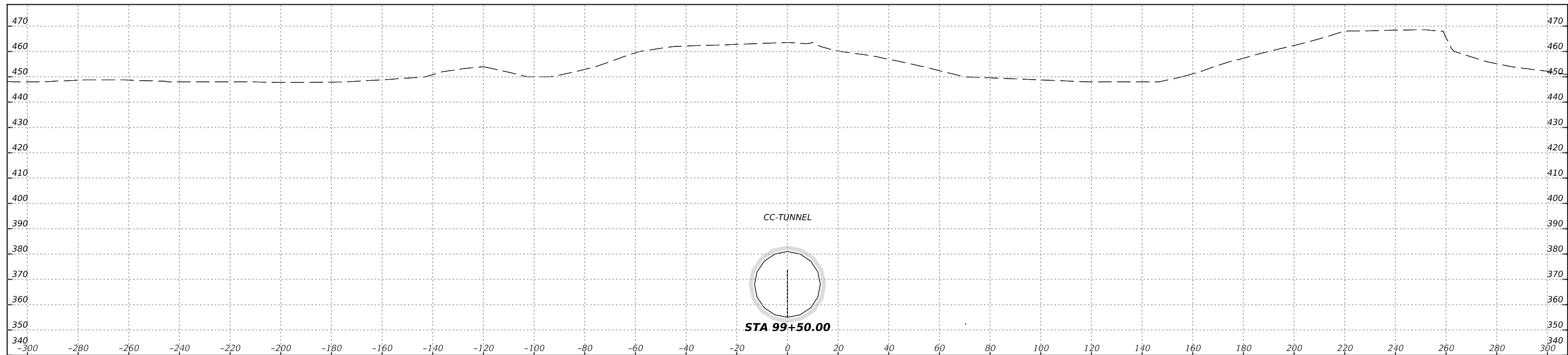
HDR Engineering, Inc.  
 Firm Registration No. F-754  
 710 Hester Crossing, Suite 150  
 Round Rock, Texas 78681



CAPITAL EXPRESS CENTRAL  
 Ç CESAR CHAVEZ TUNNEL  
 STA 99+00.00

SCALE: HORIZ: 1"=40'  
 VERT: 1"=40'

CONT	SECT	JOB	HIGHWAY
0015	13	433, ETC.	I-35
DIST COUNTY			SHEET NO.
AUS	TRAVIS		720



NO.	DATE	REVISION	APPR BY



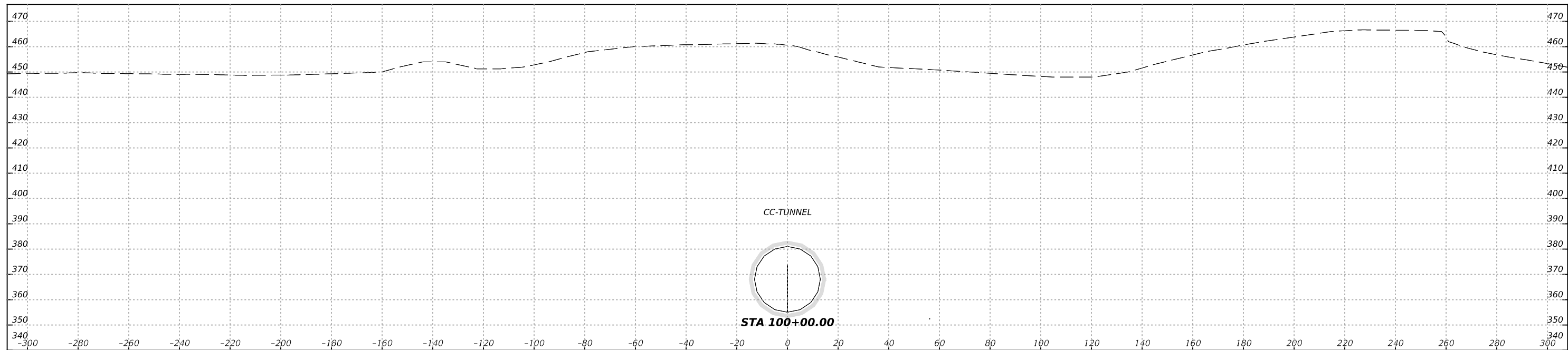
HDR Engineering, Inc.  
 Firm Registration No. F-754  
 710 Hester Crossing, Suite 150  
 Round Rock, Texas 78681



CAPITAL EXPRESS CENTRAL  
 Ç CESAR CHAVEZ TUNNEL  
 STA 99+50.00

SCALE: HORIZ: 1"=40'  
 VERT: 1"=40'

CONT	SECT	JOB	HIGHWAY
0015	13	433, ETC.	I-35
DIST			COUNTY
AUS			TRAVIS
SHEET NO.			721



NO.	DATE	REVISION	APPR BY



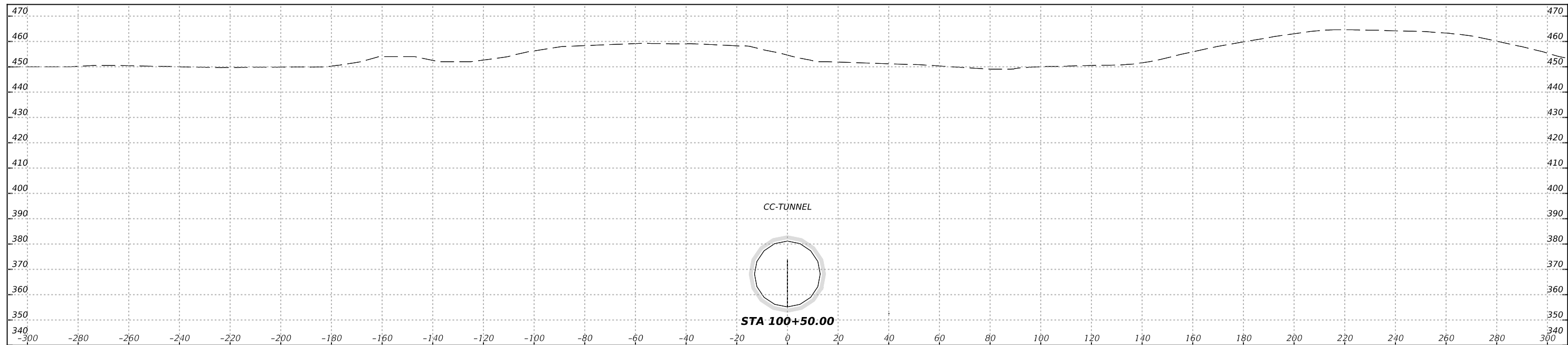
HDR Engineering, Inc.  
 Firm Registration No. F-754  
 710 Hester Crossing, Suite 150  
 Round Rock, Texas 78681



CAPITAL EXPRESS CENTRAL  
 Ç CESAR CHAVEZ TUNNEL  
 STA 100+00.00

SCALE: HORIZ: 1"=40'  
 VERT: 1"=40'

CONT	SECT	JOB	HIGHWAY
0015	13	433, ETC.	I-35
DIST	COUNTY		SHEET NO.
AUS	TRAVIS		722



NO.	DATE	REVISION	APPR BY



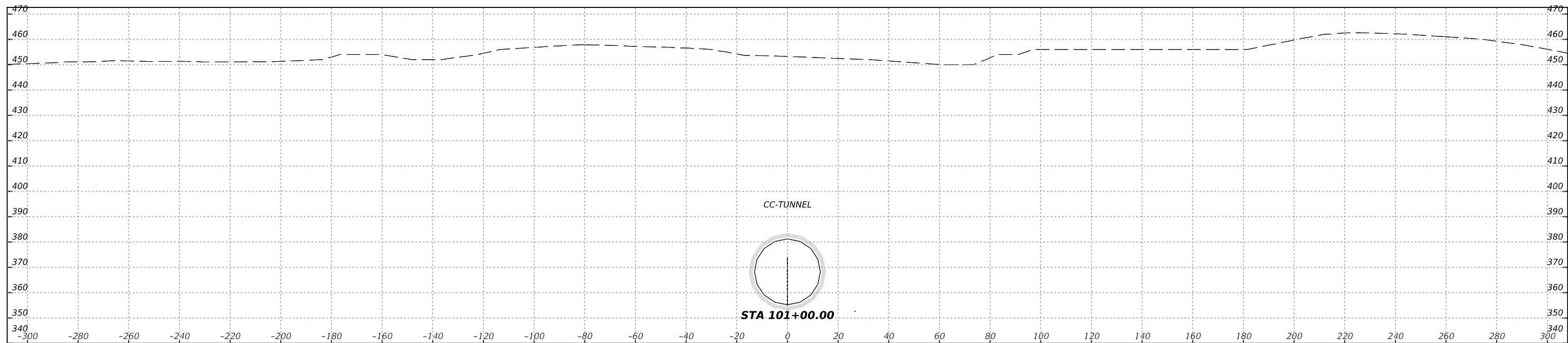
HDR Engineering, Inc.  
 Firm Registration No. F-754  
 710 Hester Crossing, Suite 150  
 Round Rock, Texas 78681



CAPITAL EXPRESS CENTRAL  
 Ç CESAR CHAVEZ TUNNEL  
 STA 100+50.00

SCALE: HORIZ: 1"=40'  
 VERT: 1"=40'

CONT	SECT	JOB	HIGHWAY
0015	13	433, ETC.	I-35
DIST COUNTY			SHEET NO.
AUS	TRAVIS		723



NO.	DATE	REVISION	APPR BY



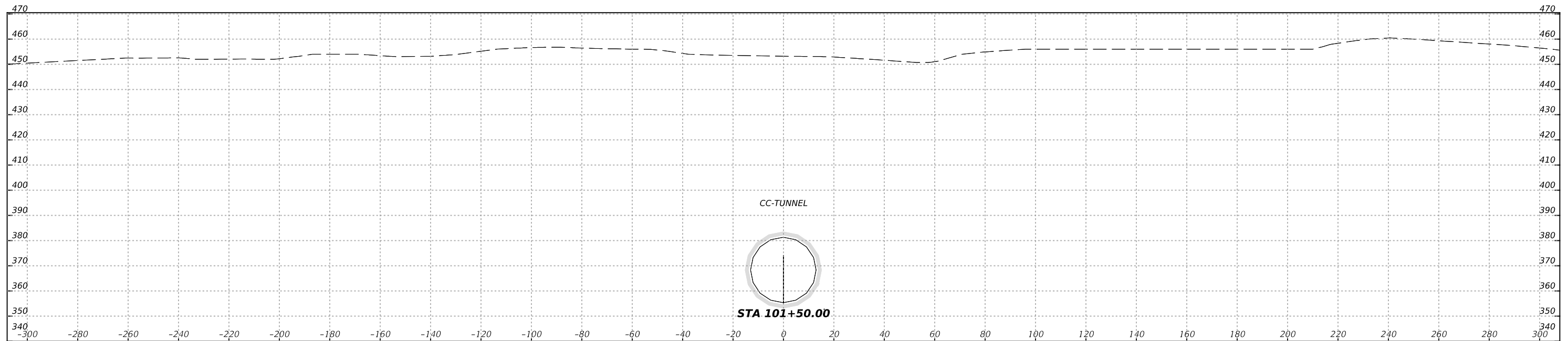
HDR Engineering, Inc.  
 Firm Registration No. F-754  
 710 Hester Crossing, Suite 150  
 Round Rock, Texas 78681



CAPITAL EXPRESS CENTRAL  
 Ç CESAR CHAVEZ TUNNEL  
 STA 101+00.00

SCALE: HORIZ: 1"=40'  
 VERT: 1"=40'

CONT	SECT	JOB	HIGHWAY
0015	13	433, ETC.	I-35
DIST COUNTY			SHEET NO.
AUS	TRAVIS		724



NO.	DATE	REVISION	APPR BY



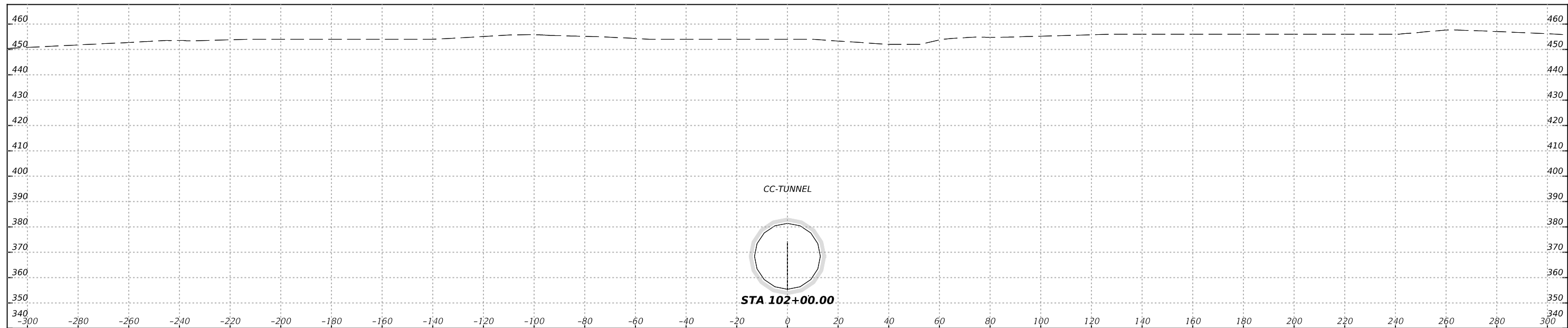
HDR Engineering, Inc.  
 Firm Registration No. F-754  
 710 Hester Crossing, Suite 150  
 Round Rock, Texas 78681



CAPITAL EXPRESS CENTRAL  
 Ç CESAR CHAVEZ TUNNEL  
 STA 101+50.00

SCALE: HORIZ: 1"=40'  
 VERT: 1"=40'

CONT	SECT	JOB	HIGHWAY
0015	13	433, ETC.	I-35
DIST			SHEET NO.
AUS	TRAVIS		725



NO.	DATE	REVISION	APPR BY



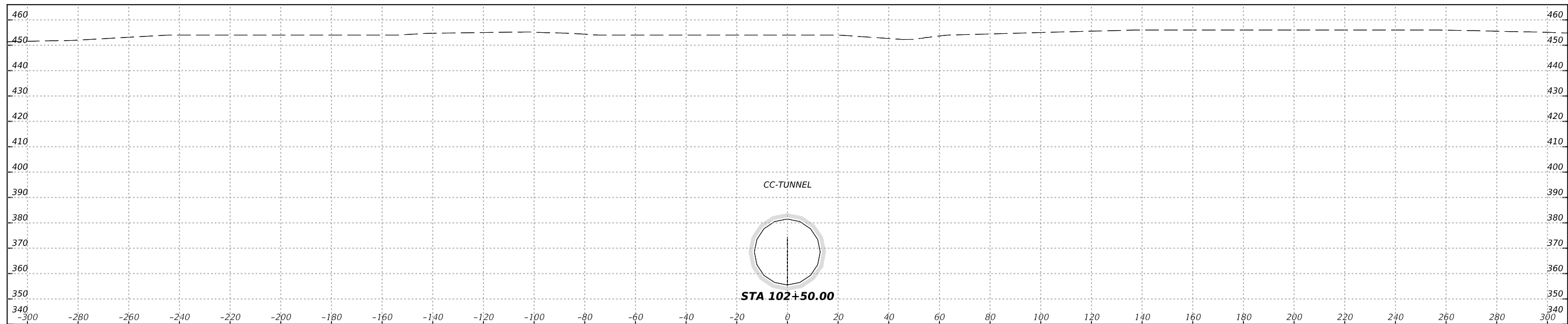
HDR Engineering, Inc.  
 Firm Registration No. F-754  
 710 Hester Crossing, Suite 150  
 Round Rock, Texas 78681



CAPITAL EXPRESS CENTRAL  
 Ç CESAR CHAVEZ TUNNEL  
 STA 102+00.00

SCALE: HORIZ: 1"=40'  
 VERT: 1"=40'

CONT	SECT	JOB	HIGHWAY
0015	13	433, ETC.	I-35
DIST	COUNTY		SHEET NO.
AUS	TRAVIS		726



NO.	DATE	REVISION	APPR BY



HDR Engineering, Inc.  
 Firm Registration No. F-754  
 710 Hester Crossing, Suite 150  
 Round Rock, Texas 78681

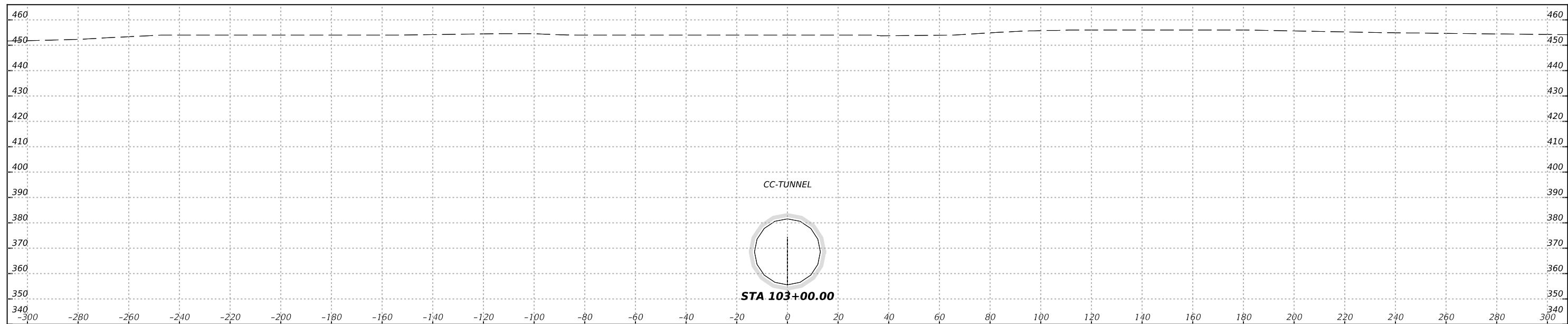


CAPITAL EXPRESS CENTRAL  
 Ç CESAR CHAVEZ TUNNEL  
 STA 102+50.00

SCALE: HORIZ: 1"=40'  
 VERT: 1"=40'

CONT	SECT	JOB	HIGHWAY
0015	13	433, ETC.	I-35
DIST	COUNTY		SHEET NO.
AUS	TRAVIS		727





NO.	DATE	REVISION	APPR BY



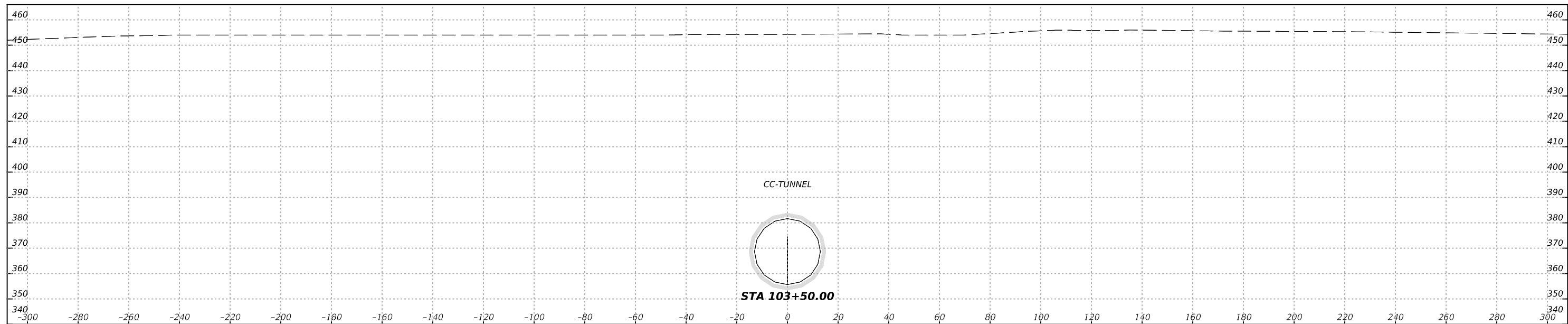
HDR Engineering, Inc.  
 Firm Registration No. F-754  
 710 Hester Crossing, Suite 150  
 Round Rock, Texas 78681



CAPITAL EXPRESS CENTRAL  
 Ç CESAR CHAVEZ TUNNEL  
 STA 103+00.00

SCALE: HORIZ: 1"=40'  
 VERT: 1"=40'

CONT	SECT	JOB	HIGHWAY
0015	13	433, ETC.	I-35
DIST	COUNTY		SHEET NO.
AUS	TRAVIS		728



NO.	DATE	REVISION	APPR BY



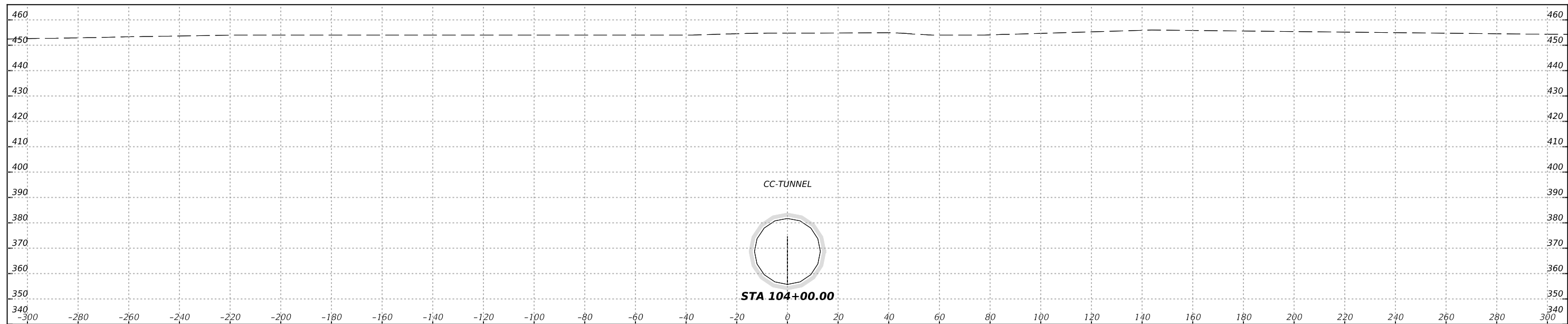
HDR Engineering, Inc.  
 Firm Registration No. F-754  
 710 Hester Crossing, Suite 150  
 Round Rock, Texas 78681



CAPITAL EXPRESS CENTRAL  
 Ç CESAR CHAVEZ TUNNEL  
 STA 103+50.00

SCALE: HORIZ: 1"=40'  
 VERT: 1"=40'

CONT	SECT	JOB	HIGHWAY
0015	13	433, ETC.	I-35
DIST		COUNTY	SHEET NO.
AUS		TRAVIS	729



NO.	DATE	REVISION	APPR BY



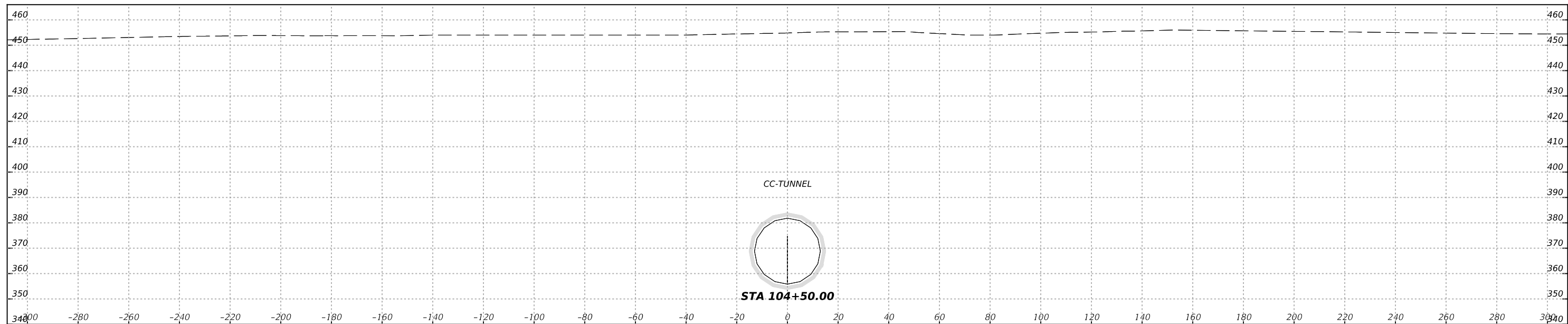
HDR Engineering, Inc.  
 Firm Registration No. F-754  
 710 Hester Crossing, Suite 150  
 Round Rock, Texas 78681



CAPITAL EXPRESS CENTRAL  
 Ç CESAR CHAVEZ TUNNEL  
 STA 104+00.00

SCALE: HORIZ: 1"=40'  
 VERT: 1"=40'

CONT	SECT	JOB	HIGHWAY
0015	13	433, ETC.	I-35
DIST COUNTY			SHEET NO.
AUS	TRAVIS		730



NO.	DATE	REVISION	APPR BY



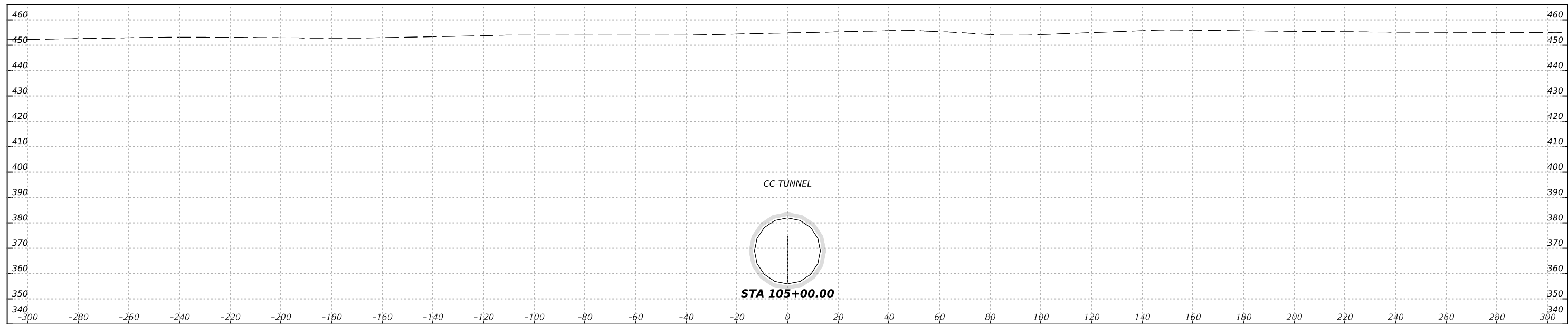
HDR Engineering, Inc.  
 Firm Registration No. F-754  
 710 Hester Crossing, Suite 150  
 Round Rock, Texas 78681



CAPITAL EXPRESS CENTRAL  
 Ç CESAR CHAVEZ TUNNEL  
 STA 104+50.00

SCALE: HORIZ: 1"=40'  
 VERT: 1"=40'

CONT	SECT	JOB	HIGHWAY
0015	13	433, ETC.	I-35
DIST		COUNTY	SHEET NO.
AUS		TRAVIS	731



NO.	DATE	REVISION	APPR BY



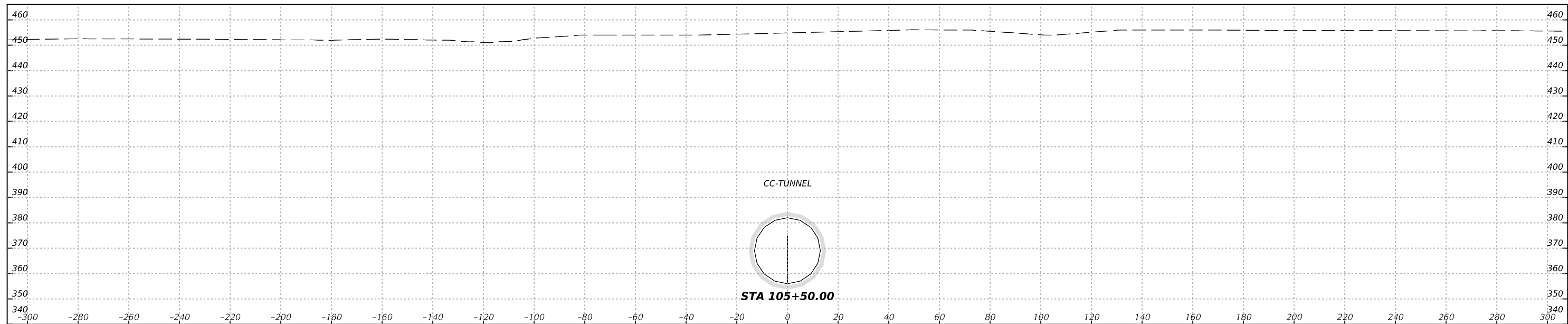
HDR Engineering, Inc.  
 Firm Registration No. F-754  
 710 Hester Crossing, Suite 150  
 Round Rock, Texas 78681



CAPITAL EXPRESS CENTRAL  
 Ç CESAR CHAVEZ TUNNEL  
 STA 105+00.00

SCALE: HORIZ: 1"=40'  
 VERT: 1"=40'

CONT	SECT	JOB	HIGHWAY
0015	13	433, ETC.	I-35
DIST	COUNTY		SHEET NO.
AUS	TRAVIS		732



NO.	DATE	REVISION	APPR BY



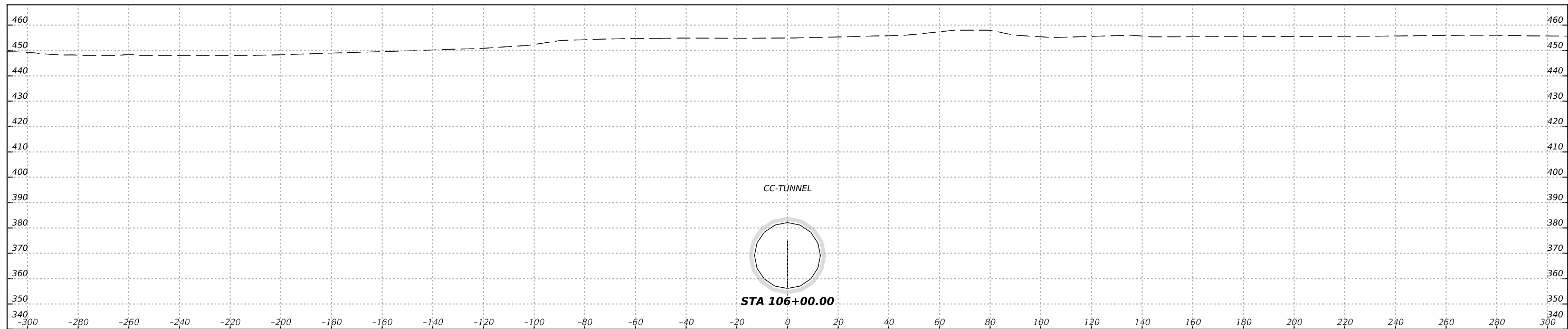
HDR Engineering, Inc.  
 Firm Registration No. F-754  
 710 Hester Crossing, Suite 150  
 Round Rock, Texas 78681



CAPITAL EXPRESS CENTRAL  
 Ç CESAR CHAVEZ TUNNEL  
 STA 105+50.00

SCALE: HORIZ: 1"=40'  
 VERT: 1"=40'

CONT	SECT	JOB	HIGHWAY
0015	13	433, ETC.	I-35
DIST	COUNTY		SHEET NO.
AUS	TRAVIS		733



NO.	DATE	REVISION	APPR BY



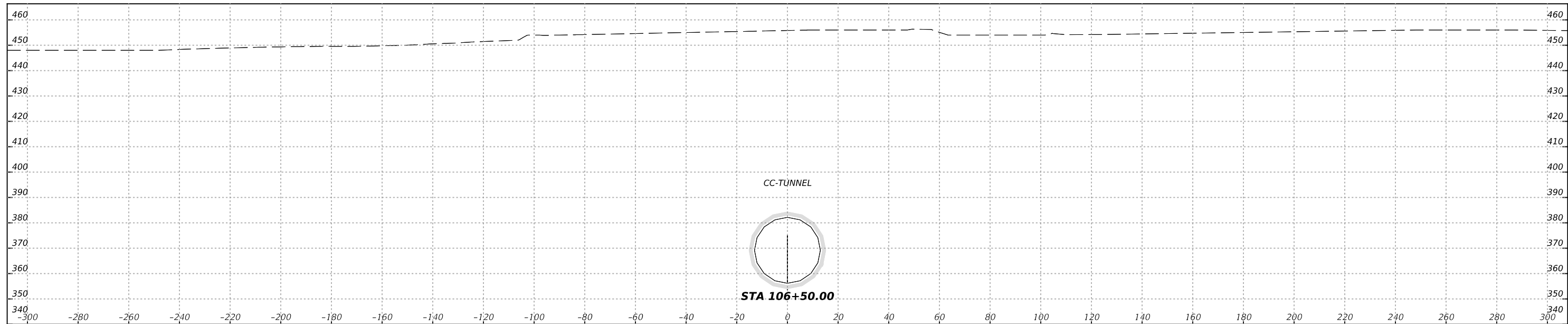
HDR Engineering, Inc.  
 Firm Registration No. F-754  
 710 Hester Crossing, Suite 150  
 Round Rock, Texas 78681



CAPITAL EXPRESS CENTRAL  
 Ç CESAR CHAVEZ TUNNEL  
 STA 106+00.00

SCALE: HORIZ: 1"=40'  
 VERT: 1"=40'

CONT	SECT	JOB	HIGHWAY
0015	13	433, ETC.	I-35
DIST	COUNTY		SHEET NO.
AUS	TRAVIS		734



NO.	DATE	REVISION	APPR BY



HDR Engineering, Inc.  
Firm Registration No. F-754  
710 Hester Crossing, Suite 150  
Round Rock, Texas 78681

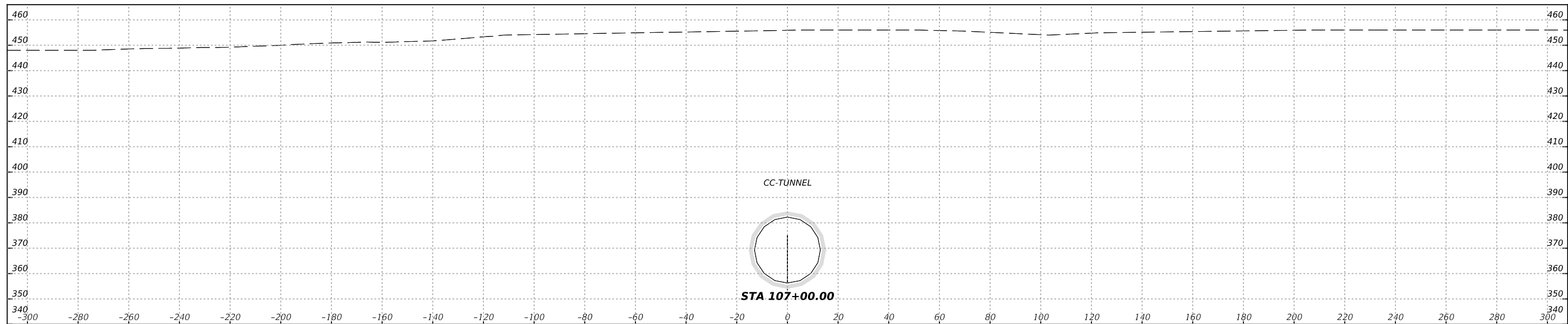


**CAPITAL EXPRESS CENTRAL**  
**Ç CESAR CHAVEZ TUNNEL**  
**STA 106+50.00**

SCALE: HORIZ: 1"=40'  
VERT: 1"=40'

CONT	SECT	JOB	HIGHWAY
0015	13	433, ETC.	I-35
DIST			SHEET NO.
AUS	TRAVIS		735





NO.	DATE	REVISION	APPR BY



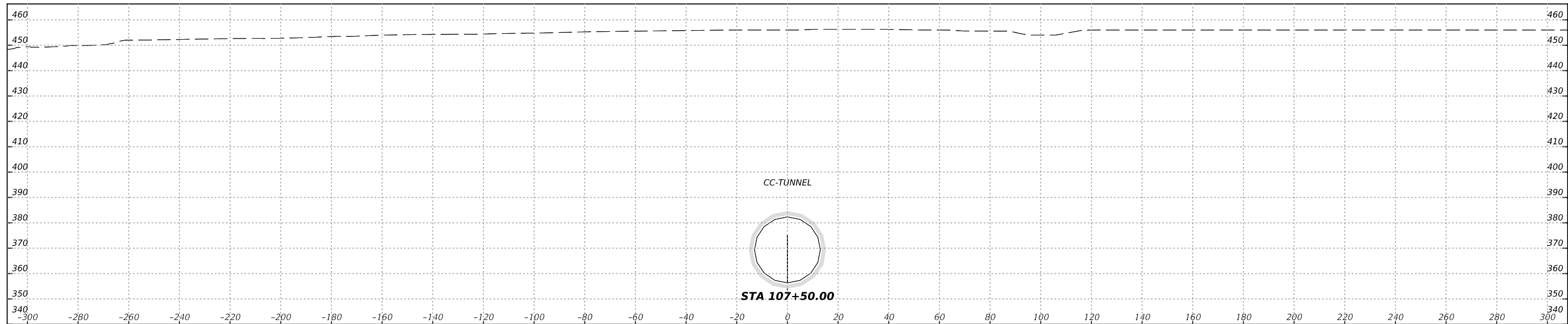
HDR Engineering, Inc.  
 Firm Registration No. F-754  
 710 Hester Crossing, Suite 150  
 Round Rock, Texas 78681



CAPITAL EXPRESS CENTRAL  
 Ç CESAR CHAVEZ TUNNEL  
 STA 107+00.00

SCALE: HORIZ: 1"=40'  
 VERT: 1"=40'

CONT	SECT	JOB	HIGHWAY
0015	13	433, ETC.	I-35
DIST	COUNTY		SHEET NO.
AUS	TRAVIS		736



NO.	DATE	REVISION	APPR BY



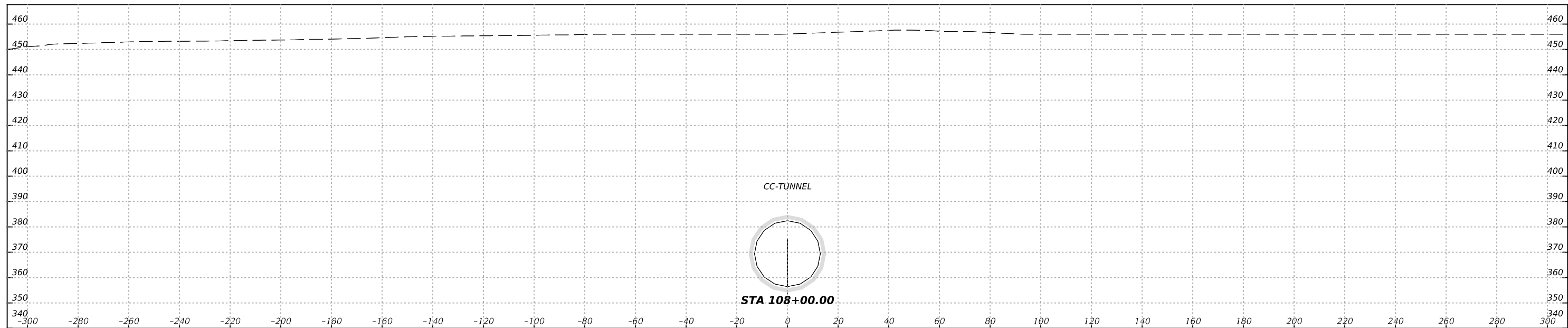
HDR Engineering, Inc.  
 Firm Registration No. F-754  
 710 Hester Crossing, Suite 150  
 Round Rock, Texas 78681



CAPITAL EXPRESS CENTRAL  
 Ç CESAR CHAVEZ TUNNEL  
 STA 107+50.00

SCALE: HORIZ: 1"=40'  
 VERT: 1"=40'

CONT	SECT	JOB	HIGHWAY
0015	13	433, ETC.	I-35
DIST	COUNTY		SHEET NO.
AUS	TRAVIS		737



NO.	DATE	REVISION	APPR BY



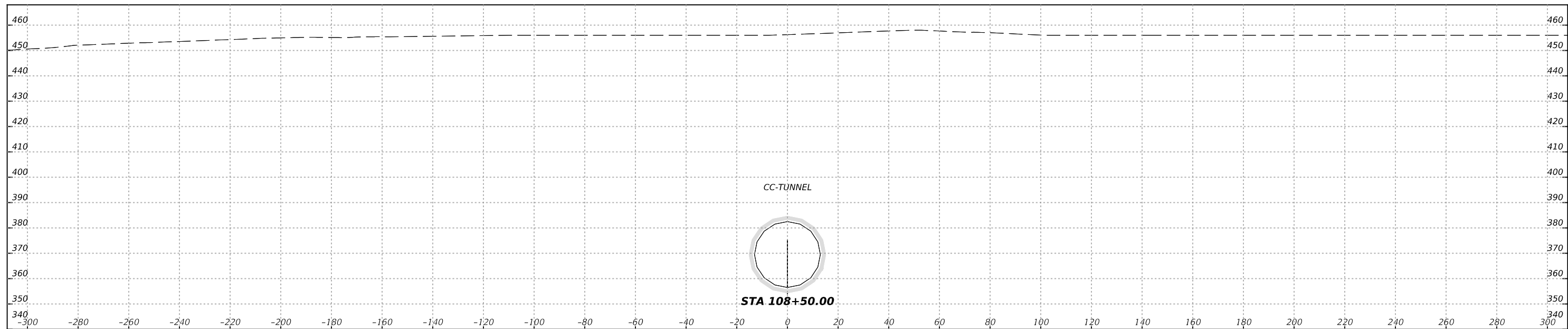
HDR Engineering, Inc.  
 Firm Registration No. F-754  
 710 Hester Crossing, Suite 150  
 Round Rock, Texas 78681



CAPITAL EXPRESS CENTRAL  
 Ç CESAR CHAVEZ TUNNEL  
 STA 108+00.00

SCALE: HORIZ: 1"=40'  
 VERT: 1"=40'

CONT	SECT	JOB	HIGHWAY
0015	13	433, ETC.	I-35
DIST	COUNTY		SHEET NO.
AUS	TRAVIS		738



NO.	DATE	REVISION	APPR BY



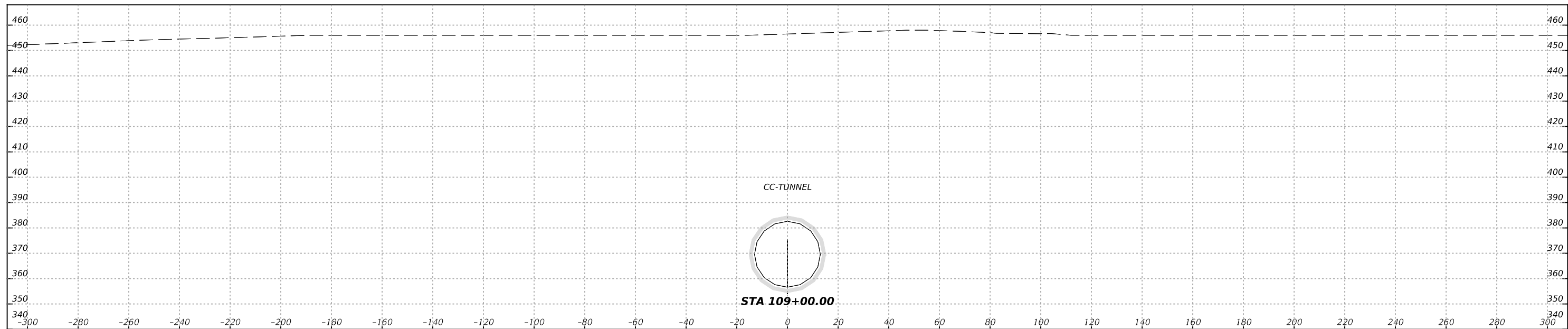
HDR Engineering, Inc.  
 Firm Registration No. F-754  
 710 Hester Crossing, Suite 150  
 Round Rock, Texas 78681



CAPITAL EXPRESS CENTRAL  
 Ç CESAR CHAVEZ TUNNEL  
 STA 108+50.00

SCALE: HORIZ: 1"=40'  
 VERT: 1"=40'

CONT	SECT	JOB	HIGHWAY
0015	13	433, ETC.	I-35
DIST	COUNTY		SHEET NO.
AUS	TRAVIS		739



NO.	DATE	REVISION	APPR BY



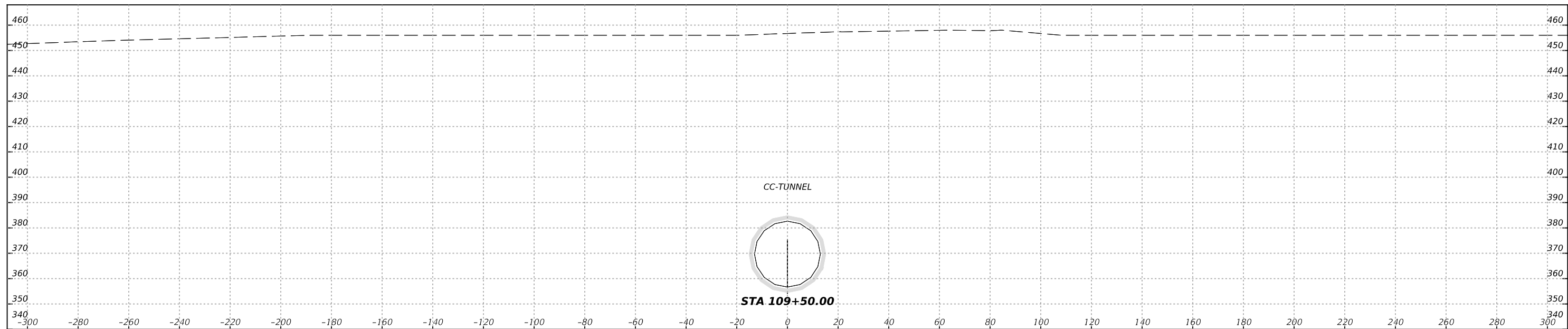
HDR Engineering, Inc.  
 Firm Registration No. F-754  
 710 Hester Crossing, Suite 150  
 Round Rock, Texas 78681



CAPITAL EXPRESS CENTRAL  
 Ç CESAR CHAVEZ TUNNEL  
 STA 109+00.00

SCALE: HORIZ: 1"=40'  
 VERT: 1"=40'

CONT	SECT	JOB	HIGHWAY
0015	13	433, ETC.	I-35
DIST	COUNTY		SHEET NO.
AUS	TRAVIS		740



NO.	DATE	REVISION	APPR BY



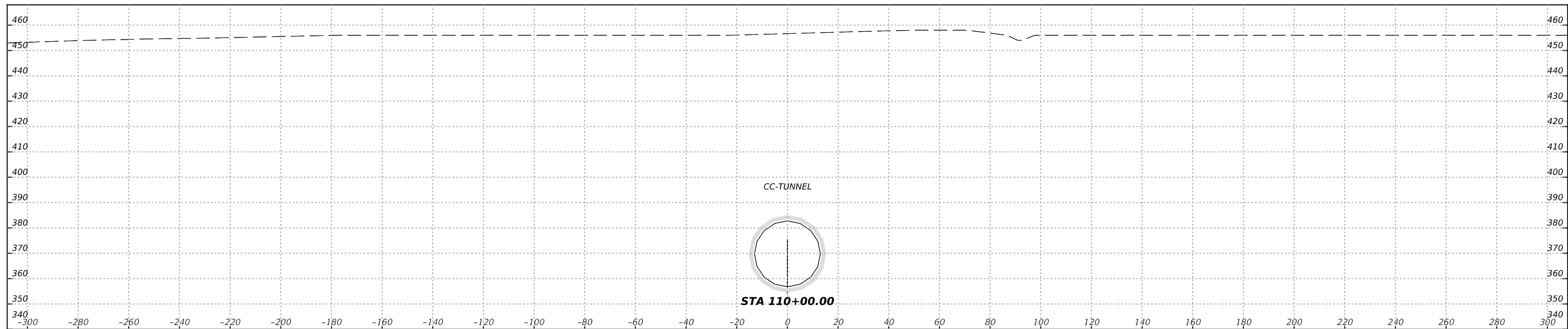
HDR Engineering, Inc.  
 Firm Registration No. F-754  
 710 Hester Crossing, Suite 150  
 Round Rock, Texas 78681



CAPITAL EXPRESS CENTRAL  
 Ç CESAR CHAVEZ TUNNEL  
 STA 109+50.00

SCALE: HORIZ: 1"=40'  
 VERT: 1"=40'

CONT	SECT	JOB	HIGHWAY
0015	13	433, ETC.	I-35
DIST	COUNTY		SHEET NO.
AUS	TRAVIS		741



NO.	DATE	REVISION	APPR BY



HDR Engineering, Inc.  
 Firm Registration No. F-754  
 710 Hester Crossing, Suite 150  
 Round Rock, Texas 78681

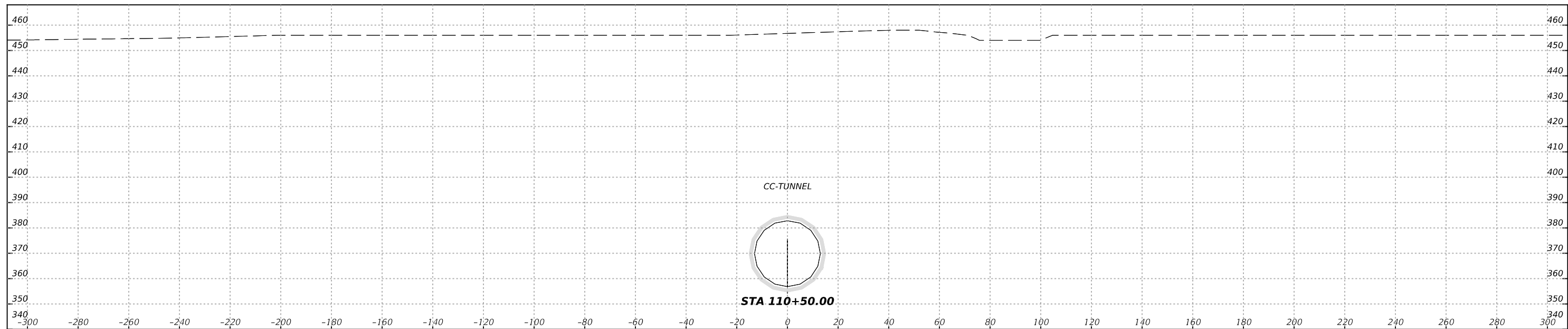


CAPITAL EXPRESS CENTRAL  
 Ç CESAR CHAVEZ TUNNEL  
 STA 110+00.00

SCALE: HORIZ: 1"=40'  
 VERT: 1"=40'

CONT	SECT	JOB	HIGHWAY
0015	13	433, ETC.	I-35
DIST	COUNTY		SHEET NO.
AUS	TRAVIS		742

DW: ACF CK: JD



NO.	DATE	REVISION	APPR BY



HDR Engineering, Inc.  
Firm Registration No. F-754  
710 Hester Crossing, Suite 150  
Round Rock, Texas 78681

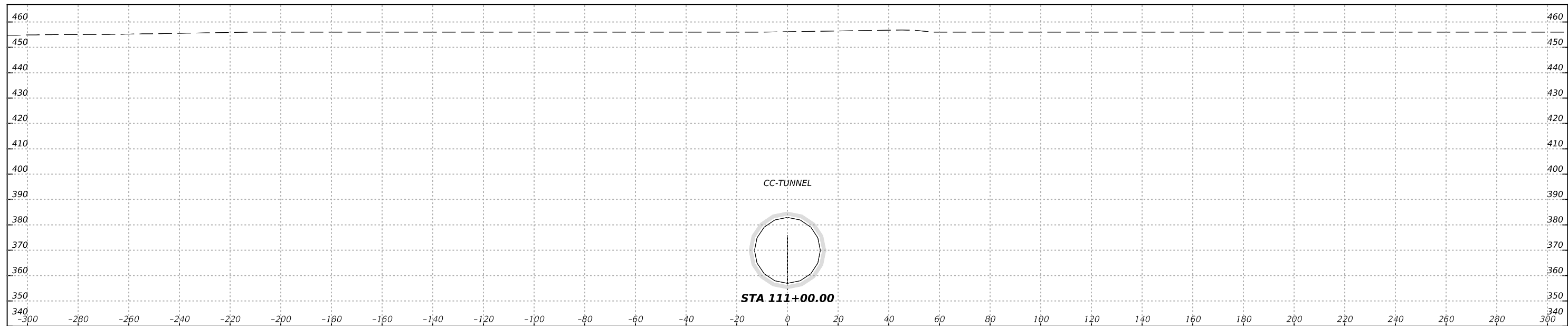


**CAPITAL EXPRESS CENTRAL**  
**☉ CESAR CHAVEZ TUNNEL**  
**STA 110+50.00**

SCALE: HORIZ: 1"=40'  
VERT: 1"=40'

CONT	SECT	JOB	HIGHWAY
0015	13	433, ETC.	I-35
DIST COUNTY			SHEET NO.
AUS	TRAVIS		743





NO.	DATE	REVISION	APPR BY



HDR Engineering, Inc.  
 Firm Registration No. F-754  
 710 Hester Crossing, Suite 150  
 Round Rock, Texas 78681

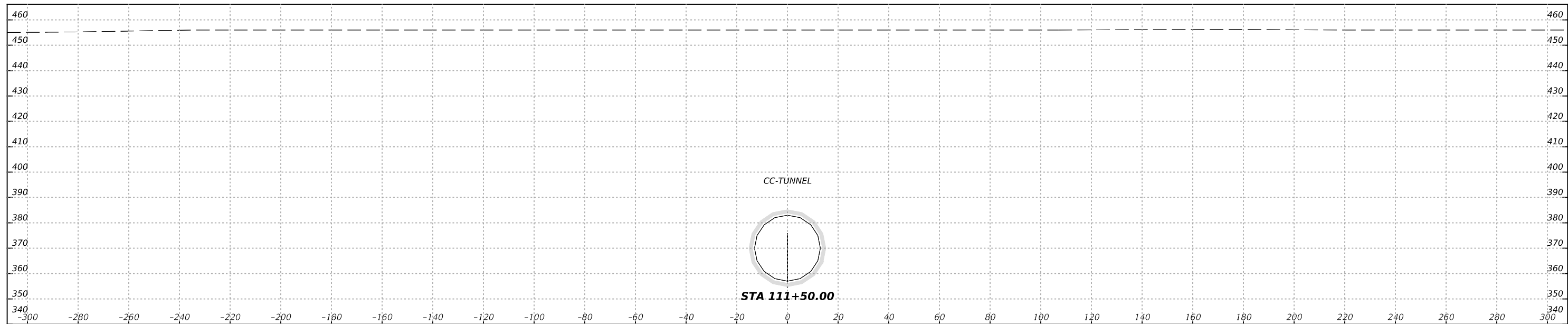


CAPITAL EXPRESS CENTRAL  
 Ç CESAR CHAVEZ TUNNEL  
 STA 111+00.00

SCALE: HORIZ: 1"=40'  
 VERT: 1"=40'

CONT	SECT	JOB	HIGHWAY
0015	13	433, ETC.	I-35
DIST COUNTY			SHEET NO.
AUS	TRAVIS		744

DW: ACF CK: JD



NO.	DATE	REVISION	APPR BY



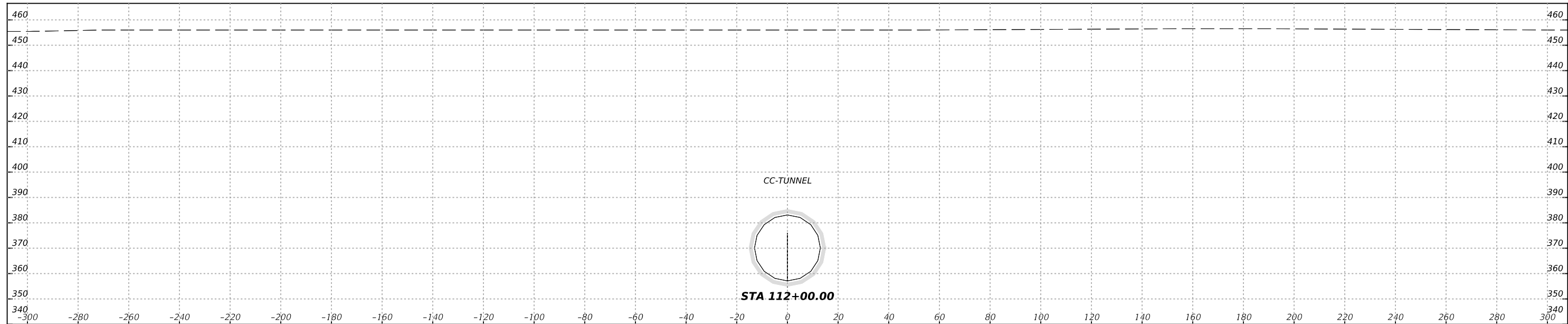
HDR Engineering, Inc.  
Firm Registration No. F-754  
710 Hester Crossing, Suite 150  
Round Rock, Texas 78681



**CAPITAL EXPRESS CENTRAL**  
**☉ CESAR CHAVEZ TUNNEL**  
**STA 111+50.00**

SCALE: HORIZ: 1"=40'  
VERT: 1"=40'

CONT	SECT	JOB	HIGHWAY
0015	13	433, ETC.	I-35
DIST		COUNTY	SHEET NO.
AUS		TRAVIS	745



NO.	DATE	REVISION	APPR BY



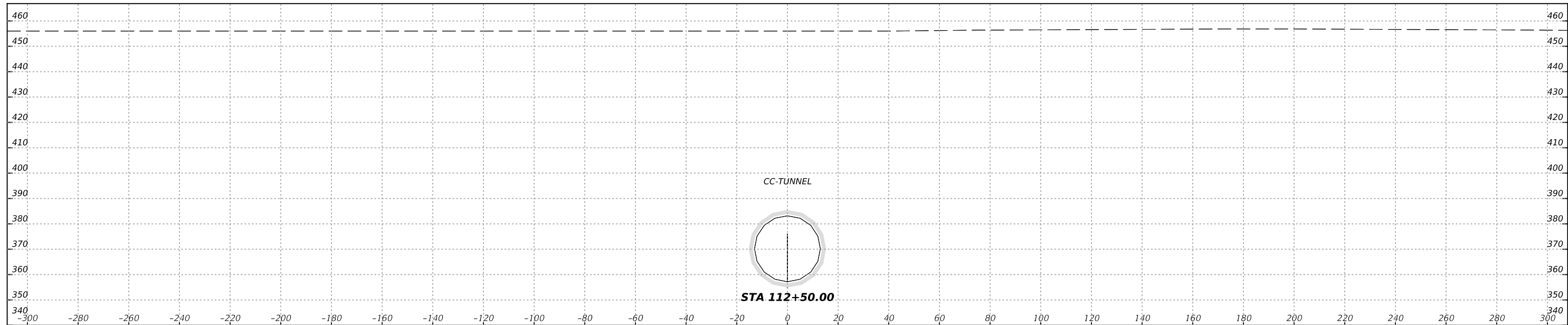
HDR Engineering, Inc.  
 Firm Registration No. F-754  
 710 Hester Crossing, Suite 150  
 Round Rock, Texas 78681



CAPITAL EXPRESS CENTRAL  
 Ç CESAR CHAVEZ TUNNEL  
 STA 112+00.00

SCALE: HORIZ: 1"=40'  
 VERT: 1"=40'

CONT	SECT	JOB	HIGHWAY
0015	13	433, ETC.	I-35
DIST			COUNTY
AUS			TRAVIS
SHEET NO.			746



NO.	DATE	REVISION	APPR BY



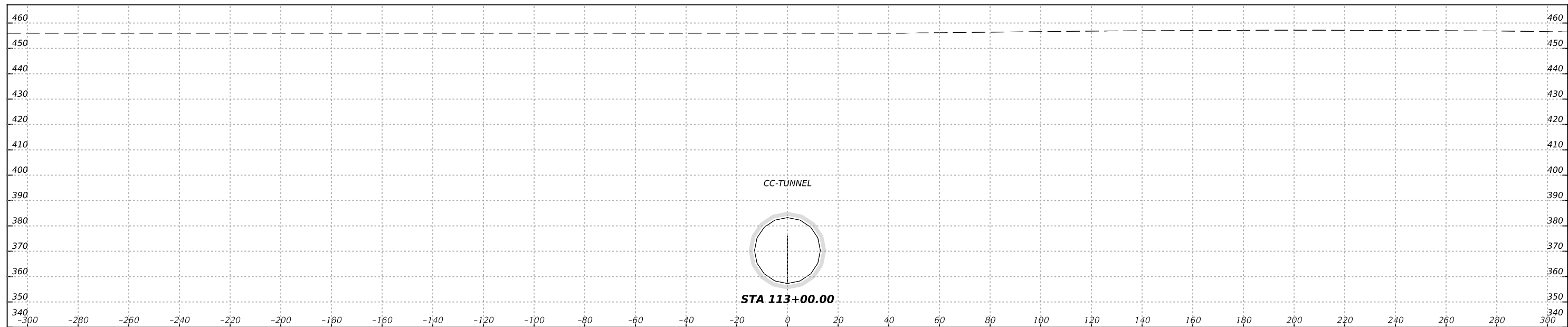
HDR Engineering, Inc.  
 Firm Registration No. F-754  
 710 Hester Crossing, Suite 150  
 Round Rock, Texas 78681



CAPITAL EXPRESS CENTRAL  
 Ç CESAR CHAVEZ TUNNEL  
 STA 112+50.00

SCALE: HORIZ: 1"=40'  
 VERT: 1"=40'

CONT	SECT	JOB	HIGHWAY
0015	13	433, ETC.	I-35
DIST COUNTY			SHEET NO.
AUS	TRAVIS		747



NO.	DATE	REVISION	APPR BY



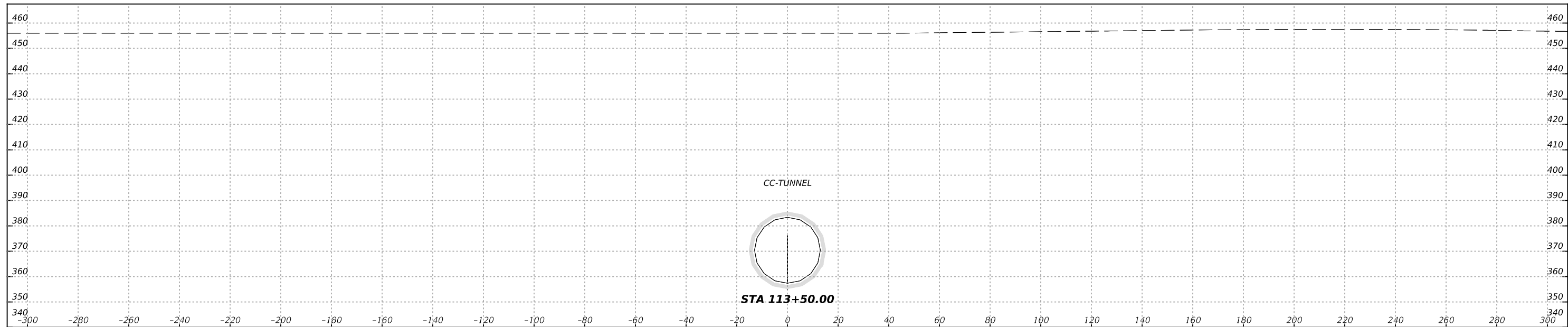
HDR Engineering, Inc.  
 Firm Registration No. F-754  
 710 Hester Crossing, Suite 150  
 Round Rock, Texas 78681



CAPITAL EXPRESS CENTRAL  
 Ç CESAR CHAVEZ TUNNEL  
 STA 113+00.00

SCALE: HORIZ: 1"=40'  
 VERT: 1"=40'

CONT	SECT	JOB	HIGHWAY
0015	13	433, ETC.	I-35
DIST			COUNTY
AUS			TRAVIS
SHEET NO.			748



NO.	DATE	REVISION	APPR BY



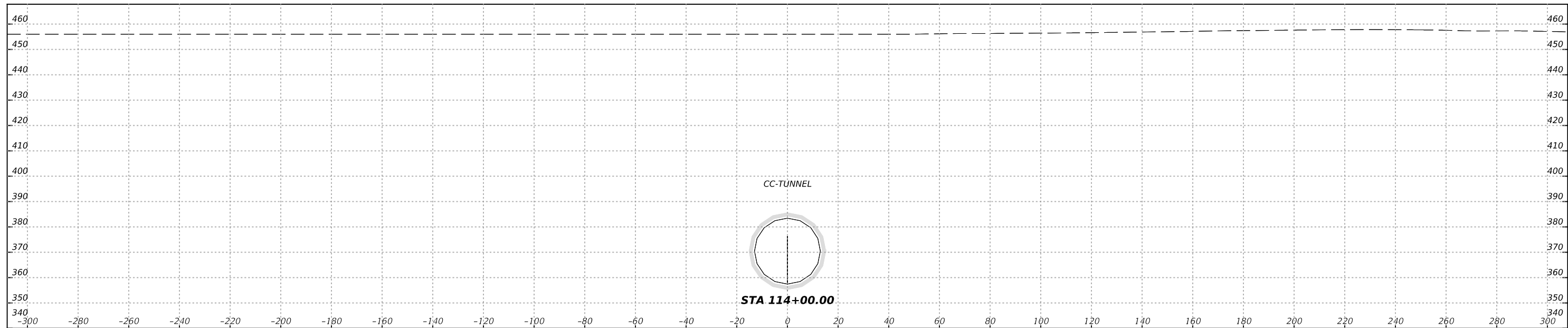
HDR Engineering, Inc.  
 Firm Registration No. F-754  
 710 Hester Crossing, Suite 150  
 Round Rock, Texas 78681



CAPITAL EXPRESS CENTRAL  
 Ç CESAR CHAVEZ TUNNEL  
 STA 113+50.00

SCALE: HORIZ: 1"=40'  
 VERT: 1"=40'

CONT	SECT	JOB	HIGHWAY
0015	13	433, ETC.	I-35
DIST	COUNTY	SHEET NO.	
AUS	TRAVIS	749	



NO.	DATE	REVISION	APPR BY



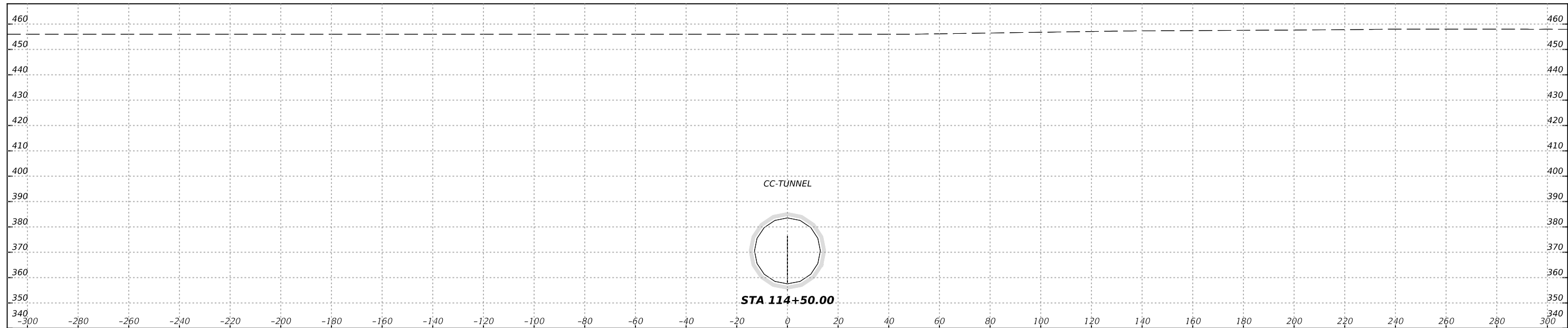
HDR Engineering, Inc.  
 Firm Registration No. F-754  
 710 Hester Crossing, Suite 150  
 Round Rock, Texas 78681



CAPITAL EXPRESS CENTRAL  
 Ç CESAR CHAVEZ TUNNEL  
 STA 114+00.00

SCALE: HORIZ: 1"=40'  
 VERT: 1"=40'

CONT	SECT	JOB	HIGHWAY
0015	13	433, ETC.	I-35
DIST		COUNTY	SHEET NO.
AUS		TRAVIS	750



NO.	DATE	REVISION	APPR BY



HDR Engineering, Inc.  
 Firm Registration No. F-754  
 710 Hester Crossing, Suite 150  
 Round Rock, Texas 78681

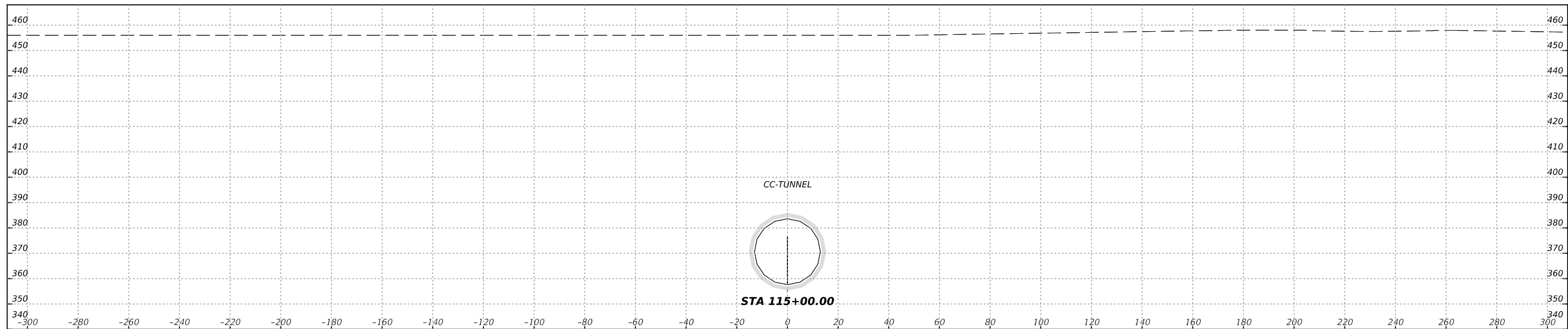


CAPITAL EXPRESS CENTRAL  
 Ç CESAR CHAVEZ TUNNEL  
 STA 114+50.00

SCALE: HORIZ: 1"=40'  
 VERT: 1"=40'

CONT	SECT	JOB	HIGHWAY
0015	13	433, ETC.	I-35
DIST	COUNTY		SHEET NO.
AUS	TRAVIS		751





NO.	DATE	REVISION	APPR BY



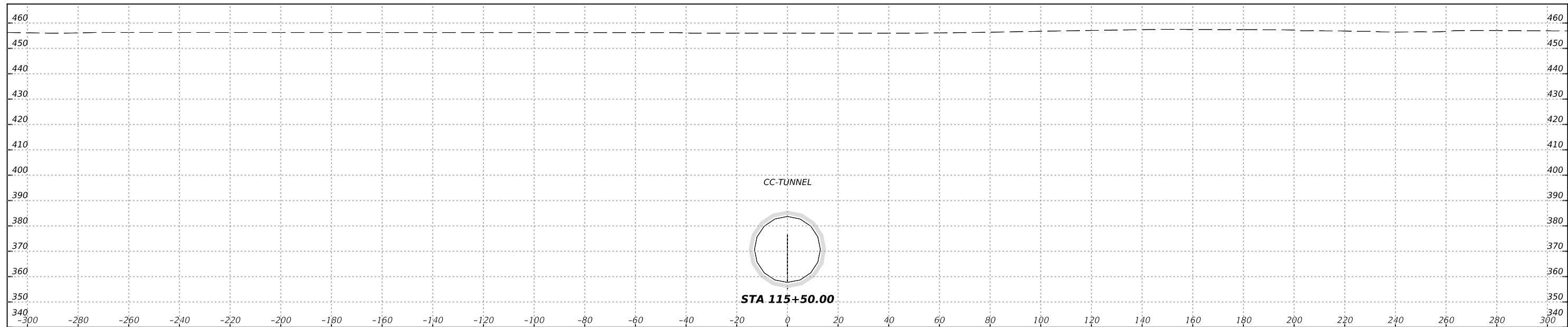
HDR Engineering, Inc.  
 Firm Registration No. F-754  
 710 Hester Crossing, Suite 150  
 Round Rock, Texas 78681



CAPITAL EXPRESS CENTRAL  
 Ç CESAR CHAVEZ TUNNEL  
 STA 115+00.00

SCALE: HORIZ: 1"=40'  
 VERT: 1"=40'

CONT	SECT	JOB	HIGHWAY
0015	13	433, ETC.	I-35
DIST	COUNTY		SHEET NO.
AUS	TRAVIS		752



NO.	DATE	REVISION	APPR BY



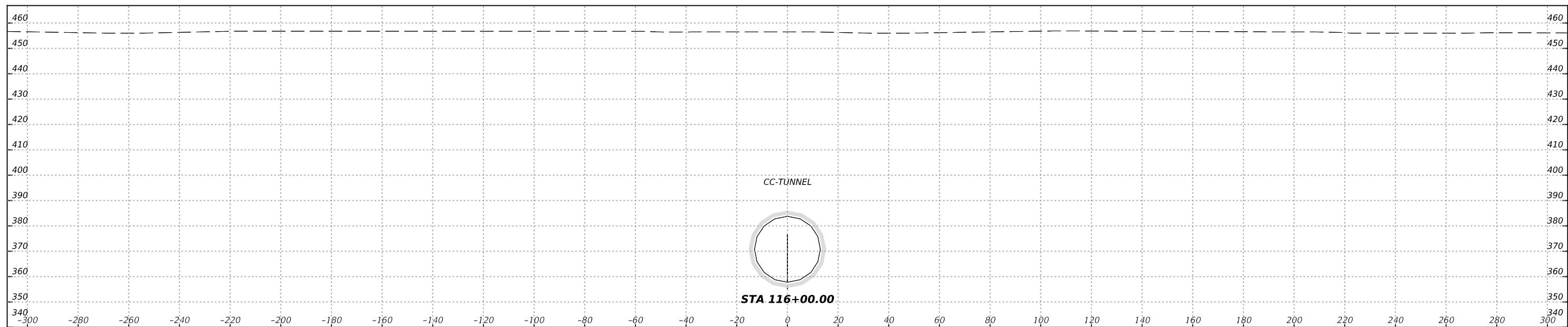
HDR Engineering, Inc.  
 Firm Registration No. F-754  
 710 Hester Crossing, Suite 150  
 Round Rock, Texas 78681



CAPITAL EXPRESS CENTRAL  
 Ç CESAR CHAVEZ TUNNEL  
 STA 115+50.00

SCALE: HORIZ: 1"=40'  
 VERT: 1"=40'

CONT	SECT	JOB	HIGHWAY
0015	13	433, ETC.	I-35
DIST COUNTY			SHEET NO.
AUS	TRAVIS		753



NO.	DATE	REVISION	APPR BY



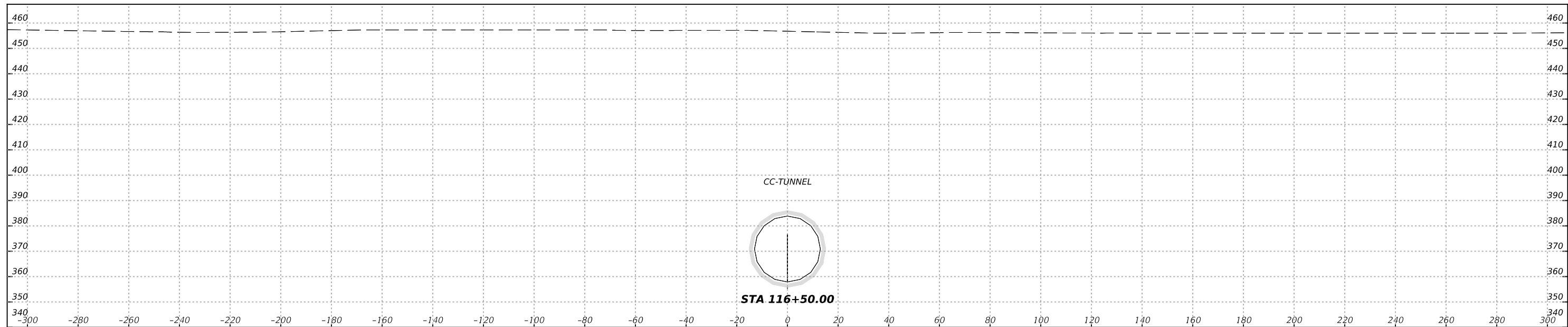
HDR Engineering, Inc.  
 Firm Registration No. F-754  
 710 Hester Crossing, Suite 150  
 Round Rock, Texas 78681



CAPITAL EXPRESS CENTRAL  
 Ç CESAR CHAVEZ TUNNEL  
 STA 116+00.00

SCALE: HORIZ: 1"=40'  
 VERT: 1"=40'

CONT	SECT	JOB	HIGHWAY
0015	13	433, ETC.	I-35
DIST	COUNTY		SHEET NO.
AUS	TRAVIS		754



NO.	DATE	REVISION	APPR BY



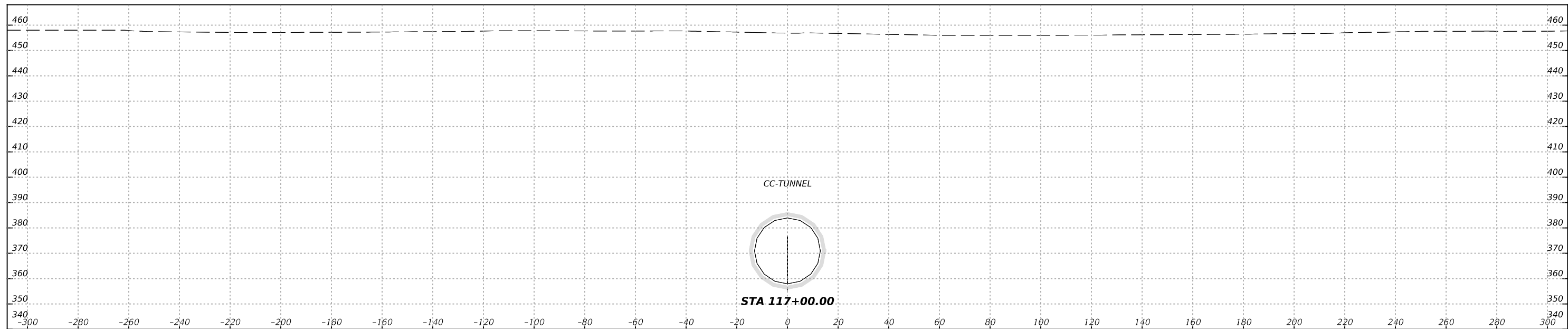
HDR Engineering, Inc.  
 Firm Registration No. F-754  
 710 Hester Crossing, Suite 150  
 Round Rock, Texas 78681



CAPITAL EXPRESS CENTRAL  
 Ç CESAR CHAVEZ TUNNEL  
 STA 116+50.00

SCALE: HORIZ: 1"=40'  
 VERT: 1"=40'

CONT	SECT	JOB	HIGHWAY
0015	13	433, ETC.	I-35
DIST			SHEET NO.
AUS	TRAVIS		755



NO.	DATE	REVISION	APPR BY



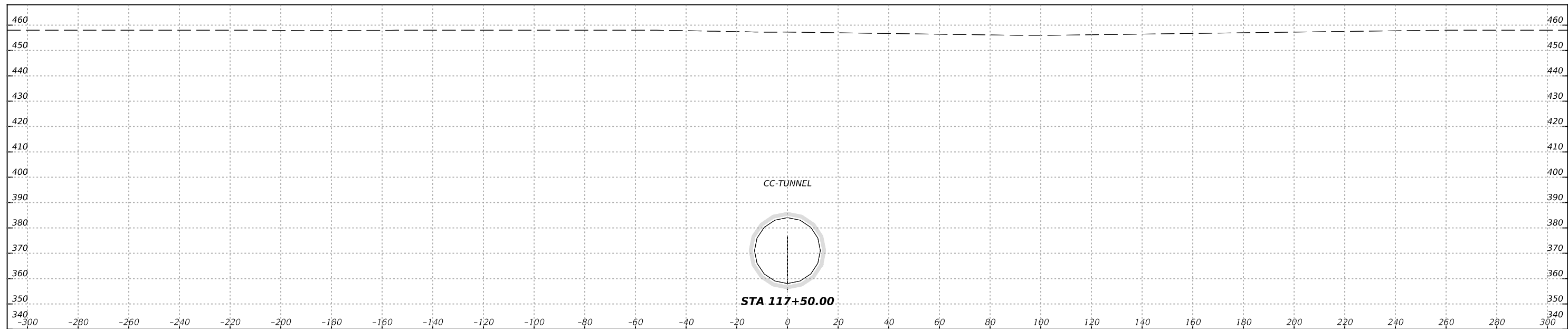
HDR Engineering, Inc.  
 Firm Registration No. F-754  
 710 Hester Crossing, Suite 150  
 Round Rock, Texas 78681



CAPITAL EXPRESS CENTRAL  
 Ç CESAR CHAVEZ TUNNEL  
 STA 117+00.00

SCALE: HORIZ: 1"=40'  
 VERT: 1"=40'

CONT	SECT	JOB	HIGHWAY
0015	13	433, ETC.	I-35
DIST	COUNTY		SHEET NO.
AUS	TRAVIS		756



NO.	DATE	REVISION	APPR BY



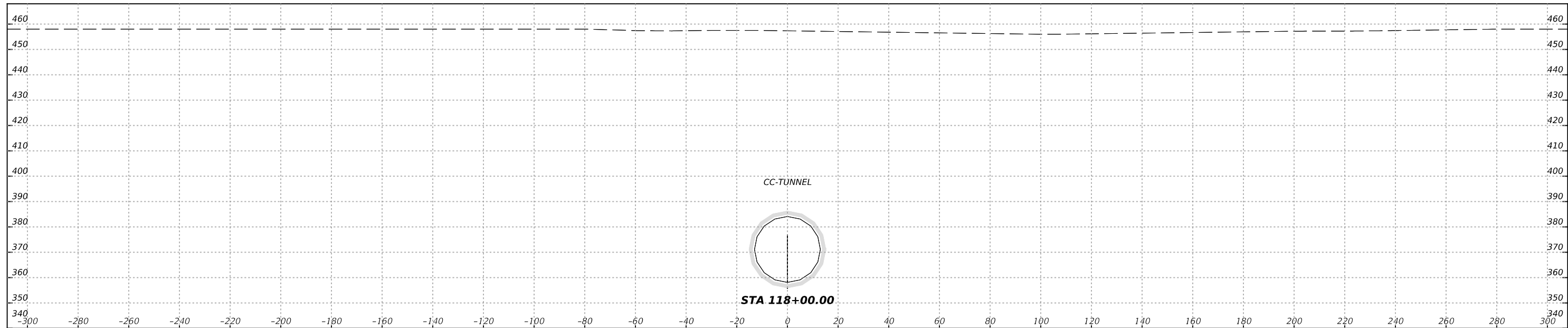
HDR Engineering, Inc.  
 Firm Registration No. F-754  
 710 Hester Crossing, Suite 150  
 Round Rock, Texas 78681



CAPITAL EXPRESS CENTRAL  
 Ç CESAR CHAVEZ TUNNEL  
 STA 117+50.00

SCALE: HORIZ: 1"=40'  
 VERT: 1"=40'

CONT	SECT	JOB	HIGHWAY
0015	13	433, ETC.	I-35
DIST	COUNTY		SHEET NO.
AUS	TRAVIS		757



NO.	DATE	REVISION	APPR BY



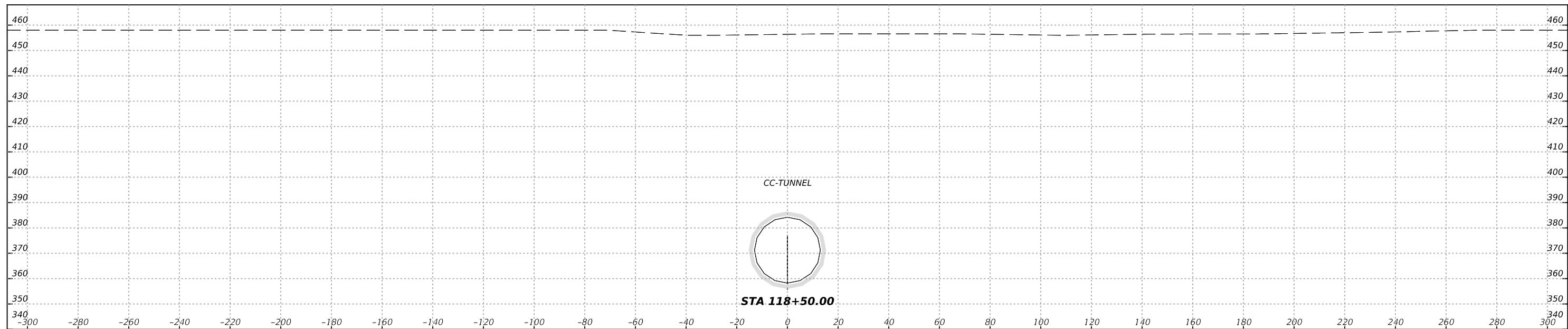
HDR Engineering, Inc.  
 Firm Registration No. F-754  
 710 Hester Crossing, Suite 150  
 Round Rock, Texas 78681



CAPITAL EXPRESS CENTRAL  
 Ç CESAR CHAVEZ TUNNEL  
 STA 118+00.00

SCALE: HORIZ: 1"=40'  
 VERT: 1"=40'

CONT	SECT	JOB	HIGHWAY
0015	13	433, ETC.	I-35
DIST			COUNTY
AUS			TRAVIS
SHEET NO.			758



NO.	DATE	REVISION	APPR BY



HDR Engineering, Inc.  
 Firm Registration No. F-754  
 710 Hester Crossing, Suite 150  
 Round Rock, Texas 78681

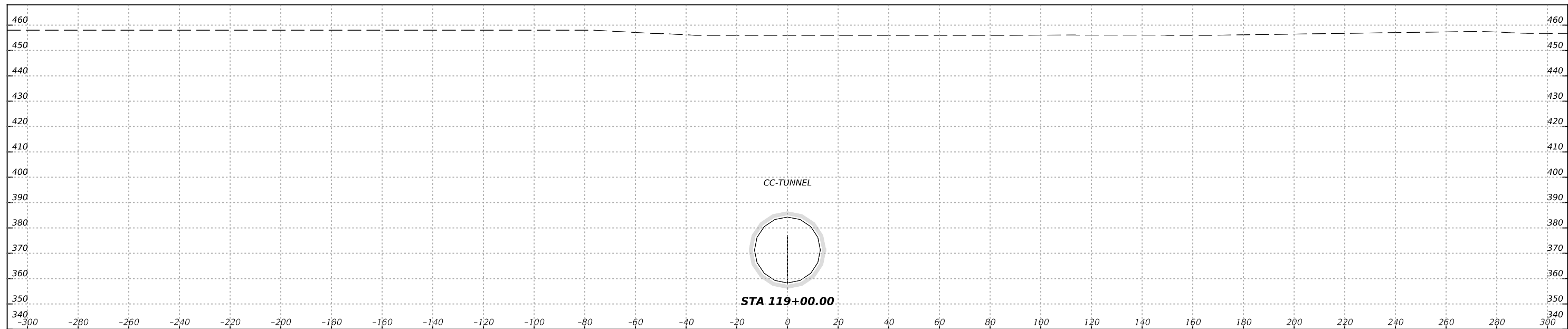


CAPITAL EXPRESS CENTRAL  
 Ç CESAR CHAVEZ TUNNEL  
 STA 118+50.00

SCALE: HORIZ: 1"=40'  
 VERT: 1"=40'

CONT	SECT	JOB	HIGHWAY
0015	13	433, ETC.	I-35
DIST	COUNTY		SHEET NO.
AUS	TRAVIS		759





NO.	DATE	REVISION	APPR BY



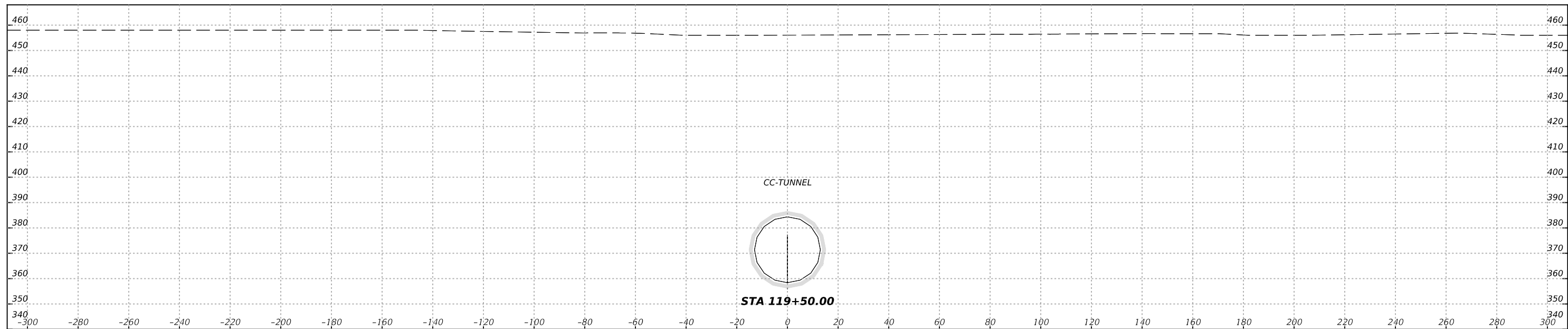
HDR Engineering, Inc.  
 Firm Registration No. F-754  
 710 Hester Crossing, Suite 150  
 Round Rock, Texas 78681



CAPITAL EXPRESS CENTRAL  
 Ç CESAR CHAVEZ TUNNEL  
 STA 119+00.00

SCALE: HORIZ: 1"=40'  
 VERT: 1"=40'

CONT	SECT	JOB	HIGHWAY
0015	13	433, ETC.	I-35
DIST	COUNTY		SHEET NO.
AUS	TRAVIS		760



NO.	DATE	REVISION	APPR BY



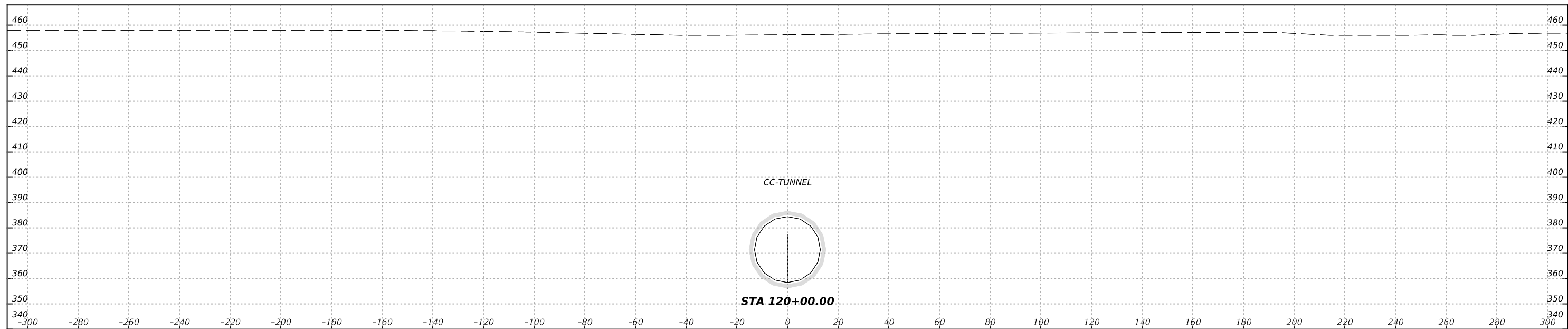
HDR Engineering, Inc.  
 Firm Registration No. F-754  
 710 Hester Crossing, Suite 150  
 Round Rock, Texas 78681



CAPITAL EXPRESS CENTRAL  
 Ç CESAR CHAVEZ TUNNEL  
 STA 119+50.00

SCALE: HORIZ: 1"=40'  
 VERT: 1"=40'

CONT	SECT	JOB	HIGHWAY
0015	13	433, ETC.	I-35
DIST	COUNTY		SHEET NO.
AUS	TRAVIS		761



NO.	DATE	REVISION	APPR BY



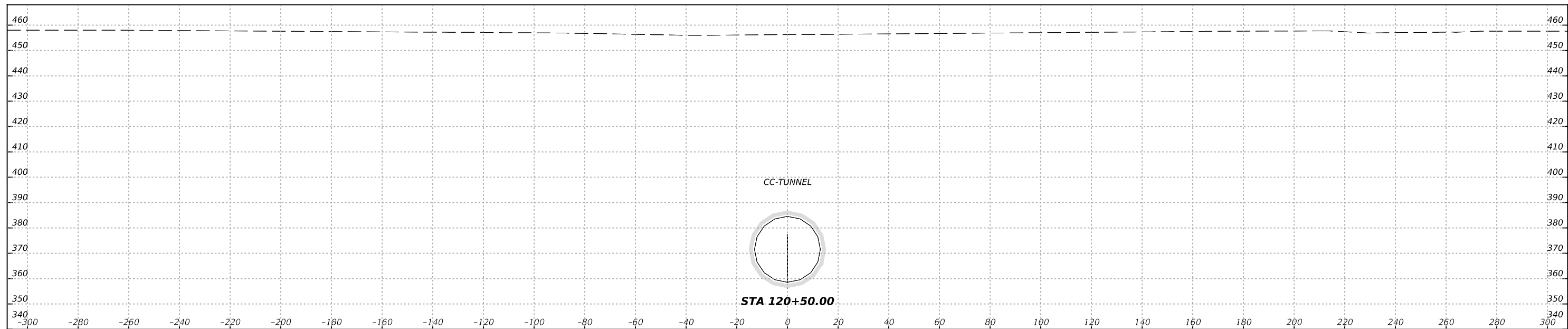
HDR Engineering, Inc.  
 Firm Registration No. F-754  
 710 Hester Crossing, Suite 150  
 Round Rock, Texas 78681



CAPITAL EXPRESS CENTRAL  
 Ç CESAR CHAVEZ TUNNEL  
 STA 120+00.00

SCALE: HORIZ: 1"=40'  
 VERT: 1"=40'

CONT	SECT	JOB	HIGHWAY
0015	13	433, ETC.	I-35
DIST COUNTY			SHEET NO.
AUS	TRAVIS		762



NO.	DATE	REVISION	APPR BY



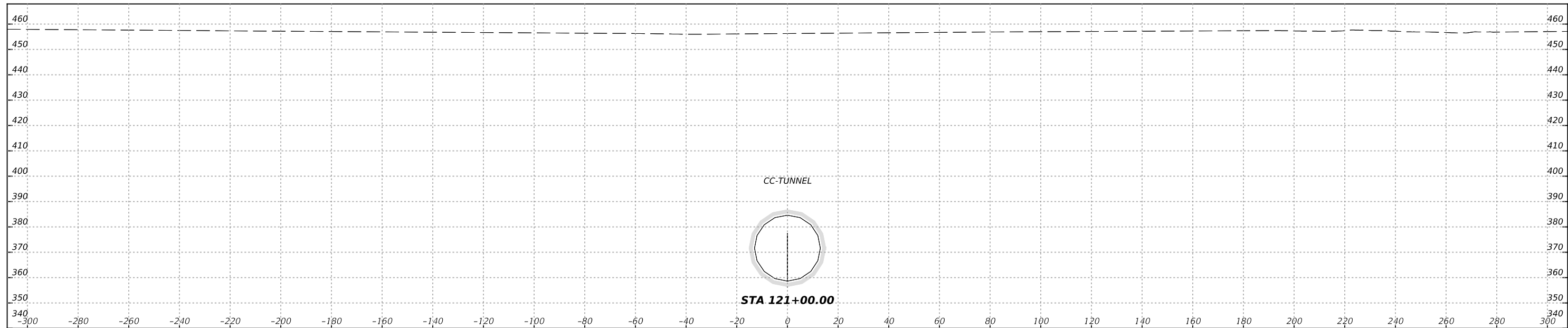
HDR Engineering, Inc.  
 Firm Registration No. F-754  
 710 Hester Crossing, Suite 150  
 Round Rock, Texas 78681



CAPITAL EXPRESS CENTRAL  
 Ç CESAR CHAVEZ TUNNEL  
 STA 120+50.00

SCALE: HORIZ: 1"=40'  
 VERT: 1"=40'

CONT	SECT	JOB	HIGHWAY
0015	13	433, ETC.	I-35
DIST COUNTY			SHEET NO.
AUS	TRAVIS		763



NO.	DATE	REVISION	APPR BY



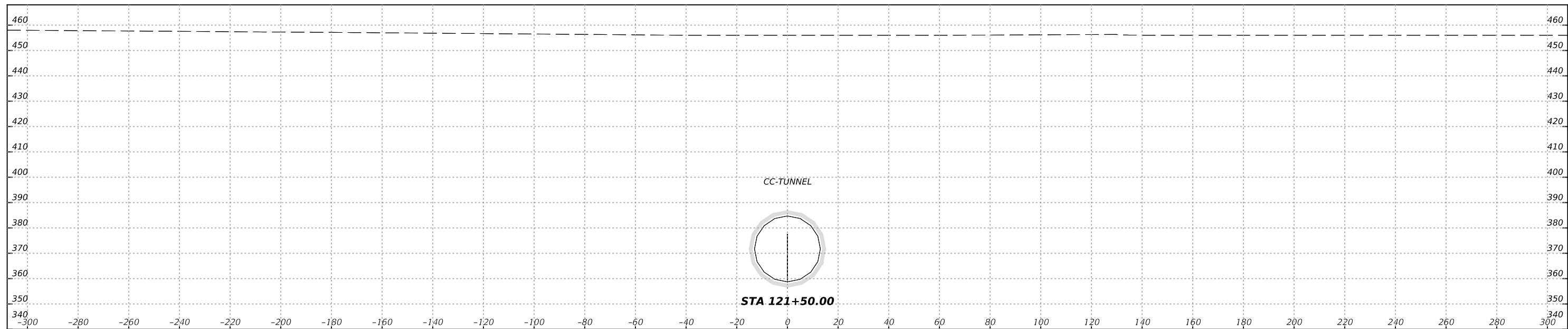
HDR Engineering, Inc.  
 Firm Registration No. F-754  
 710 Hester Crossing, Suite 150  
 Round Rock, Texas 78681



CAPITAL EXPRESS CENTRAL  
 Ç CESAR CHAVEZ TUNNEL  
 STA 121+00.00

SCALE: HORIZ: 1"=40'  
 VERT: 1"=40'

CONT	SECT	JOB	HIGHWAY
0015	13	433, ETC.	I-35
DIST	COUNTY		SHEET NO.
AUS	TRAVIS		764



NO.	DATE	REVISION	APPR BY



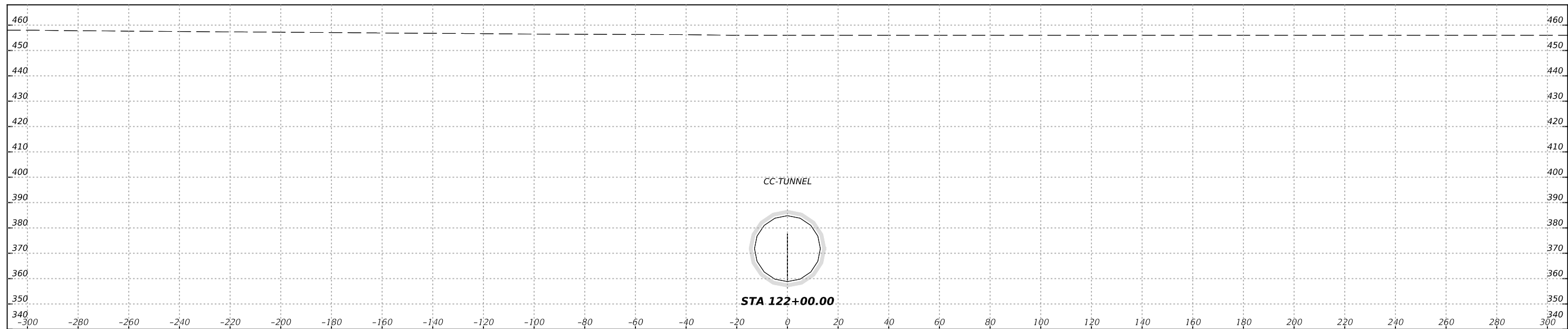
HDR Engineering, Inc.  
 Firm Registration No. F-754  
 710 Hester Crossing, Suite 150  
 Round Rock, Texas 78681



CAPITAL EXPRESS CENTRAL  
 Ç CESAR CHAVEZ TUNNEL  
 STA 121+50.00

SCALE: HORIZ: 1"=40'  
 VERT: 1"=40'

CONT	SECT	JOB	HIGHWAY
0015	13	433, ETC.	I-35
DIST	COUNTY		SHEET NO.
AUS	TRAVIS		765



NO.	DATE	REVISION	APPR BY



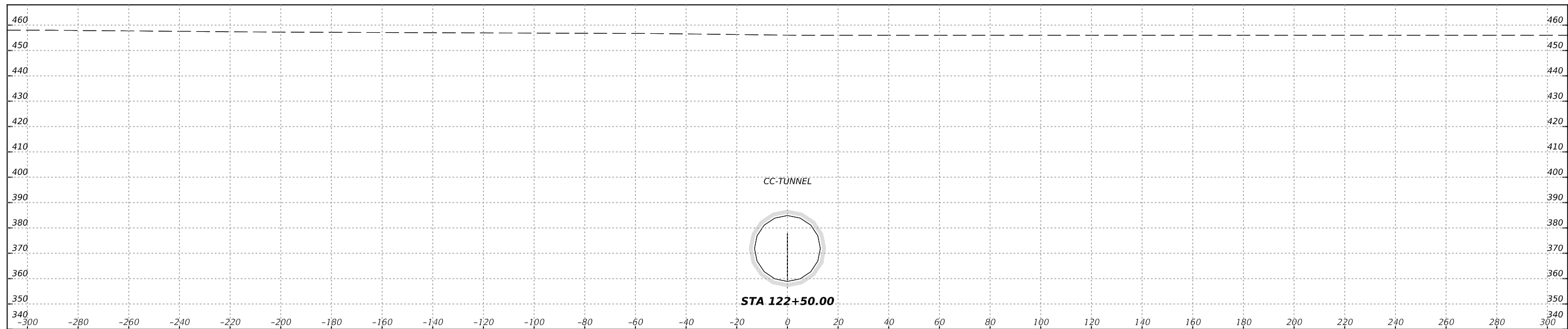
HDR Engineering, Inc.  
 Firm Registration No. F-754  
 710 Hester Crossing, Suite 150  
 Round Rock, Texas 78681



CAPITAL EXPRESS CENTRAL  
 Ç CESAR CHAVEZ TUNNEL  
 STA 122+00.00

SCALE: HORIZ: 1"=40'  
 VERT: 1"=40'

CONT	SECT	JOB	HIGHWAY
0015	13	433, ETC.	I-35
DIST COUNTY			SHEET NO.
AUS	TRAVIS		766



NO.	DATE	REVISION	APPR BY



HDR Engineering, Inc.  
 Firm Registration No. F-754  
 710 Hester Crossing, Suite 150  
 Round Rock, Texas 78681

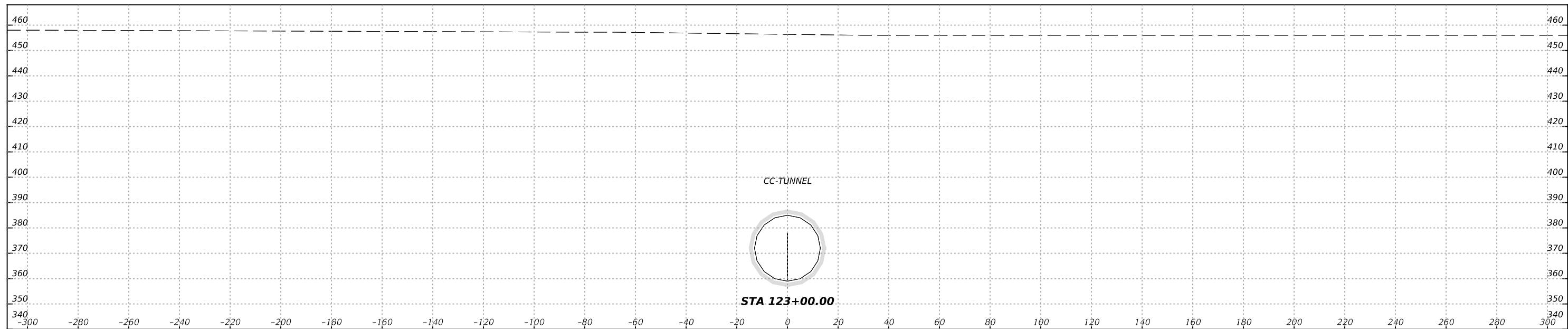


CAPITAL EXPRESS CENTRAL  
 Ç CESAR CHAVEZ TUNNEL  
 STA 122+50.00

SCALE: HORIZ: 1"=40'  
 VERT: 1"=40'

CONT	SECT	JOB	HIGHWAY
0015	13	433, ETC.	I-35
DIST	COUNTY		SHEET NO.
AUS	TRAVIS		767





NO.	DATE	REVISION	APPR BY



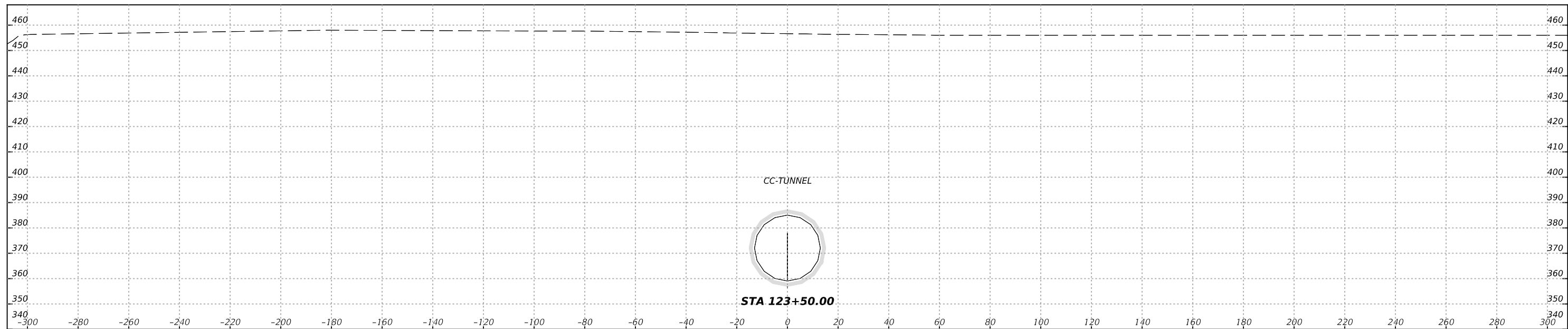
HDR Engineering, Inc.  
 Firm Registration No. F-754  
 710 Hester Crossing, Suite 150  
 Round Rock, Texas 78681



CAPITAL EXPRESS CENTRAL  
 Ç CESAR CHAVEZ TUNNEL  
 STA 123+00.00

SCALE: HORIZ: 1"=40'  
 VERT: 1"=40'

CONT	SECT	JOB	HIGHWAY
0015	13	433, ETC.	I-35
DIST COUNTY			SHEET NO.
AUS	TRAVIS		768



NO.	DATE	REVISION	APPR BY



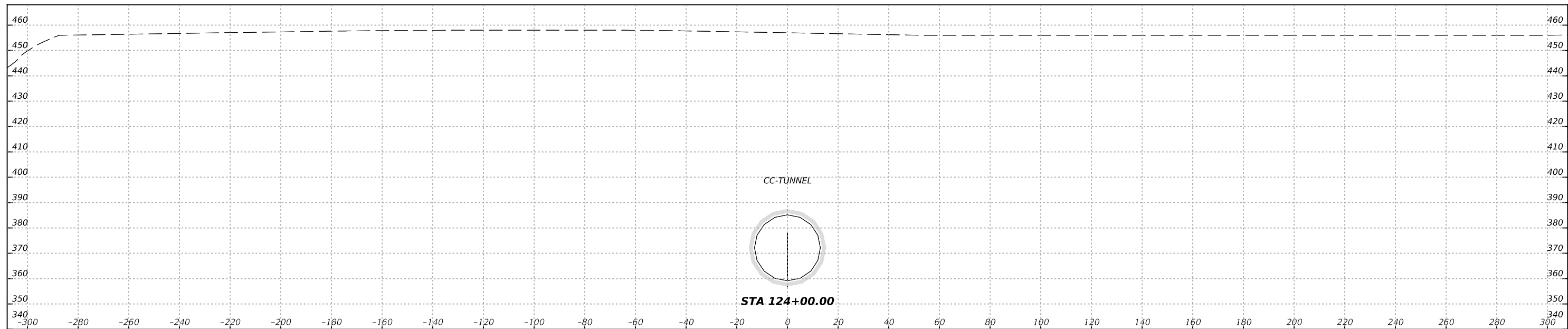
HDR Engineering, Inc.  
 Firm Registration No. F-754  
 710 Hester Crossing, Suite 150  
 Round Rock, Texas 78681



CAPITAL EXPRESS CENTRAL  
 Ç CESAR CHAVEZ TUNNEL  
 STA 123+50.00

SCALE: HORIZ: 1"=40'  
 VERT: 1"=40'

CONT	SECT	JOB	HIGHWAY
0015	13	433, ETC.	I-35
DIST COUNTY			SHEET NO.
AUS	TRAVIS		769



NO.	DATE	REVISION	APPR BY



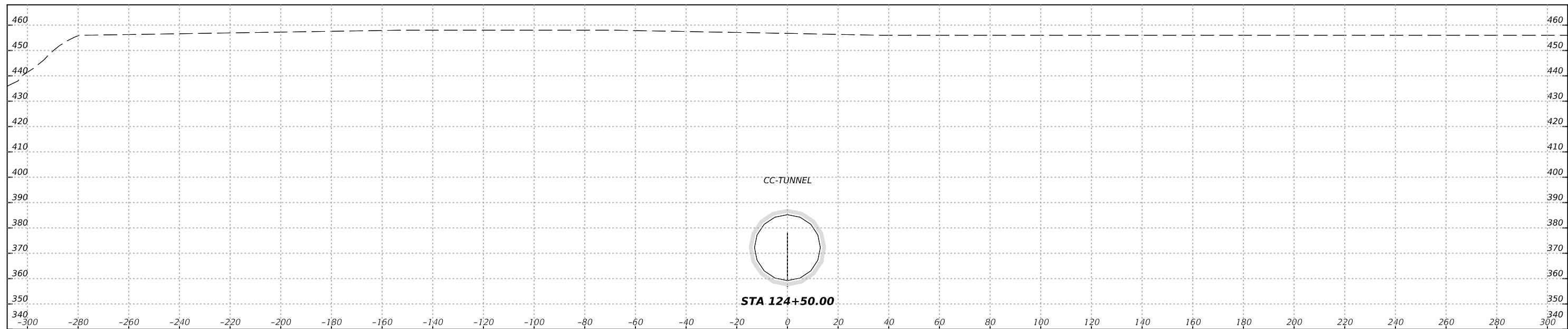
HDR Engineering, Inc.  
 Firm Registration No. F-754  
 710 Hester Crossing, Suite 150  
 Round Rock, Texas 78681



CAPITAL EXPRESS CENTRAL  
 Ç CESAR CHAVEZ TUNNEL  
 STA 124+00.00

SCALE: HORIZ: 1"=40'  
 VERT: 1"=40'

CONT	SECT	JOB	HIGHWAY
0015	13	433, ETC.	I-35
DIST	COUNTY		SHEET NO.
AUS	TRAVIS		770



NO.	DATE	REVISION	APPR BY



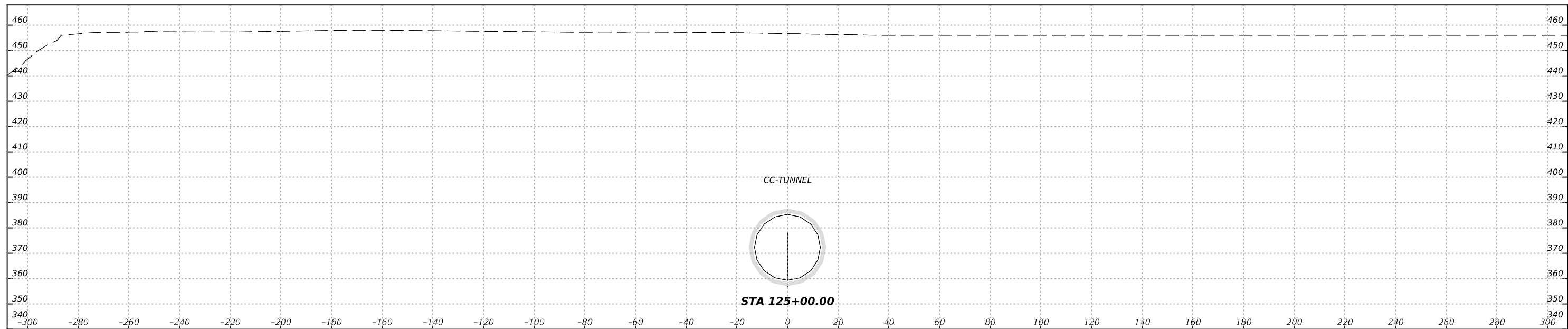
HDR Engineering, Inc.  
 Firm Registration No. F-754  
 710 Hester Crossing, Suite 150  
 Round Rock, Texas 78681



CAPITAL EXPRESS CENTRAL  
 Ç CESAR CHAVEZ TUNNEL  
 STA 124+50.00

SCALE: HORIZ: 1"=40'  
 VERT: 1"=40'

CONT	SECT	JOB	HIGHWAY
0015	13	433, ETC.	I-35
DIST	COUNTY		SHEET NO.
AUS	TRAVIS		771



NO.	DATE	REVISION	APPR BY



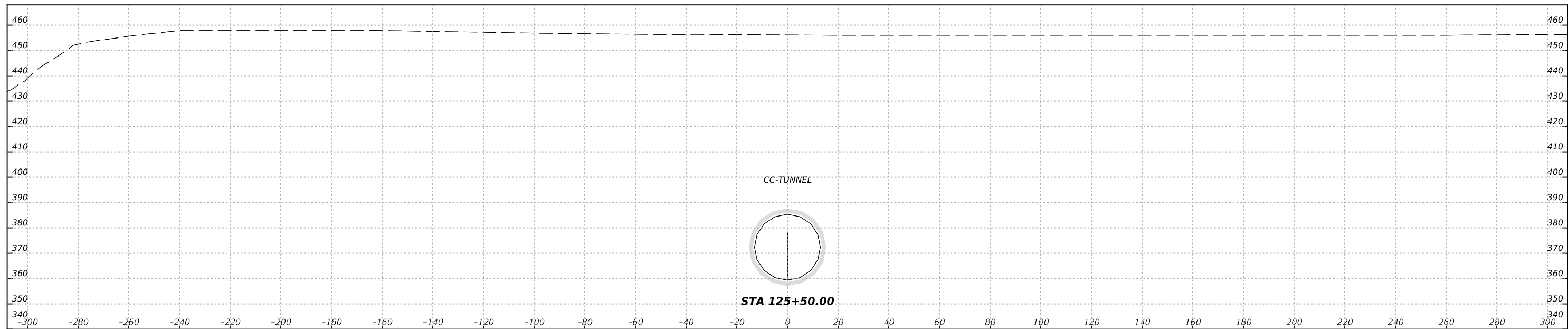
HDR Engineering, Inc.  
 Firm Registration No. F-754  
 710 Hester Crossing, Suite 150  
 Round Rock, Texas 78681



CAPITAL EXPRESS CENTRAL  
 Ç CESAR CHAVEZ TUNNEL  
 STA 125+00.00

SCALE: HORIZ: 1"=40'  
 VERT: 1"=40'

CONT	SECT	JOB	HIGHWAY
0015	13	433, ETC.	I-35
DIST			COUNTY
AUS			TRAVIS
SHEET NO.			772



NO.	DATE	REVISION	APPR BY



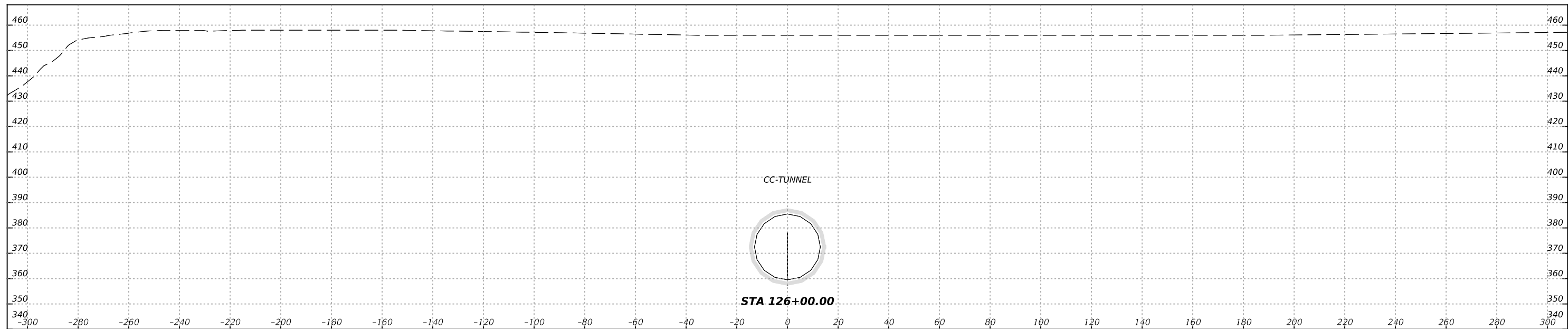
HDR Engineering, Inc.  
 Firm Registration No. F-754  
 710 Hester Crossing, Suite 150  
 Round Rock, Texas 78681



CAPITAL EXPRESS CENTRAL  
 Ç CESAR CHAVEZ TUNNEL  
 STA 125+50.00

SCALE: HORIZ: 1"=40'  
 VERT: 1"=40'

CONT	SECT	JOB	HIGHWAY
0015	13	433, ETC.	I-35
DIST	COUNTY		SHEET NO.
AUS	TRAVIS		773



NO.	DATE	REVISION	APPR BY



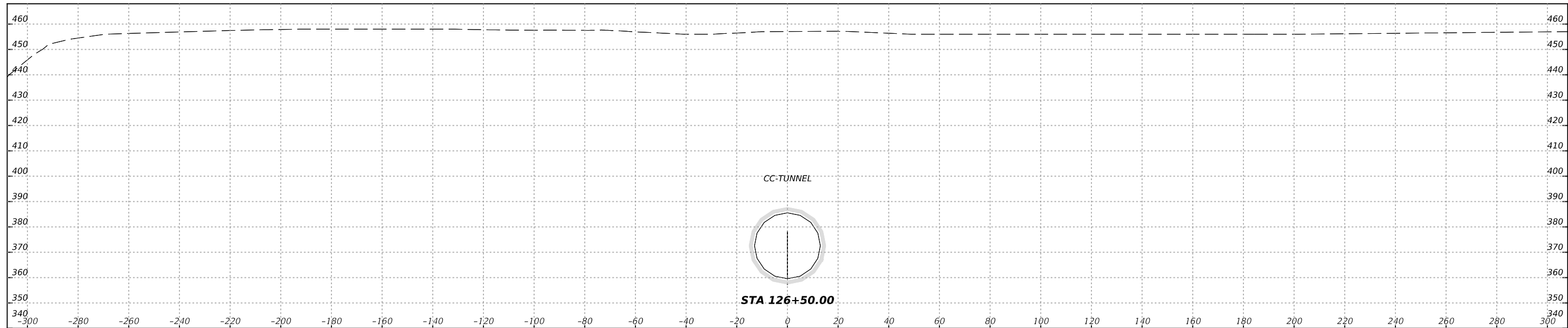
HDR Engineering, Inc.  
 Firm Registration No. F-754  
 710 Hester Crossing, Suite 150  
 Round Rock, Texas 78681



CAPITAL EXPRESS CENTRAL  
 Ç CESAR CHAVEZ TUNNEL  
 STA 126+00.00

SCALE: HORIZ: 1"=40'  
 VERT: 1"=40'

CONT	SECT	JOB	HIGHWAY
0015	13	433, ETC.	I-35
DIST	COUNTY		SHEET NO.
AUS	TRAVIS		774



NO.	DATE	REVISION	APPR BY



HDR Engineering, Inc.  
Firm Registration No. F-754  
710 Hester Crossing, Suite 150  
Round Rock, Texas 78681

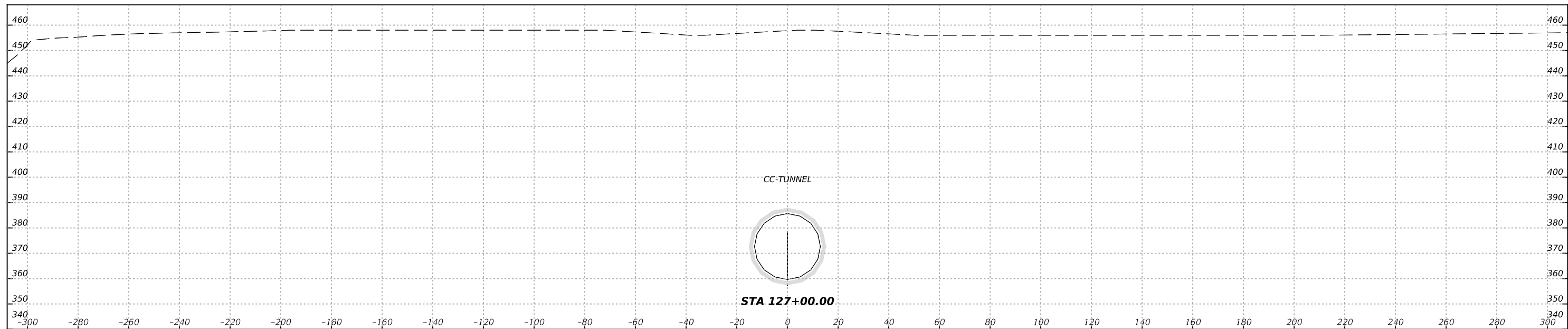


**CAPITAL EXPRESS CENTRAL**  
**☉ CESAR CHAVEZ TUNNEL**  
STA 126+50.00

SCALE: HORIZ: 1"=40'  
VERT: 1"=40'

CONT	SECT	JOB	HIGHWAY
0015	13	433, ETC.	I-35
DIST COUNTY			SHEET NO.
AUS	TRAVIS		775





NO.	DATE	REVISION	APPR BY



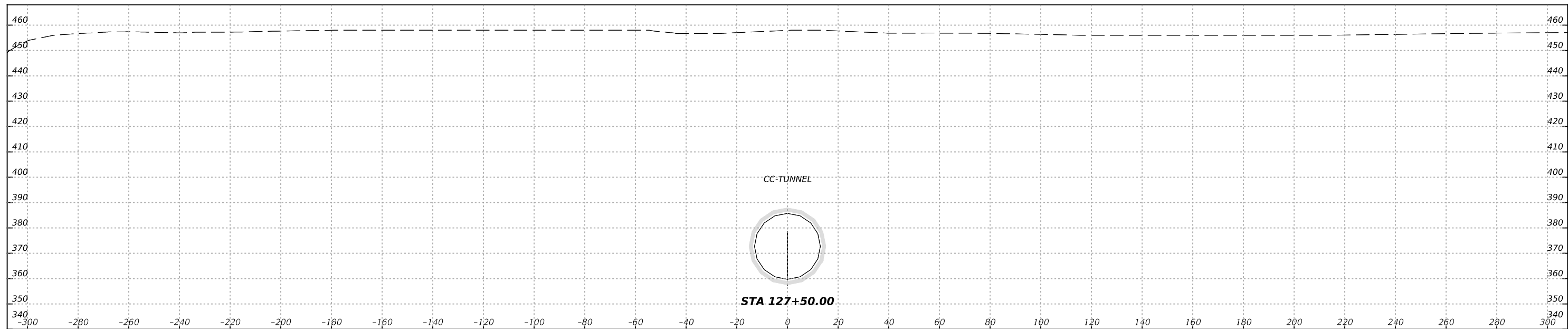
HDR Engineering, Inc.  
 Firm Registration No. F-754  
 710 Hester Crossing, Suite 150  
 Round Rock, Texas 78681



CAPITAL EXPRESS CENTRAL  
 Ç CESAR CHAVEZ TUNNEL  
 STA 127+00.00

SCALE: HORIZ: 1"=40'  
 VERT: 1"=40'

CONT	SECT	JOB	HIGHWAY
0015	13	433, ETC.	I-35
DIST	COUNTY		SHEET NO.
AUS	TRAVIS		776



NO.	DATE	REVISION	APPR BY



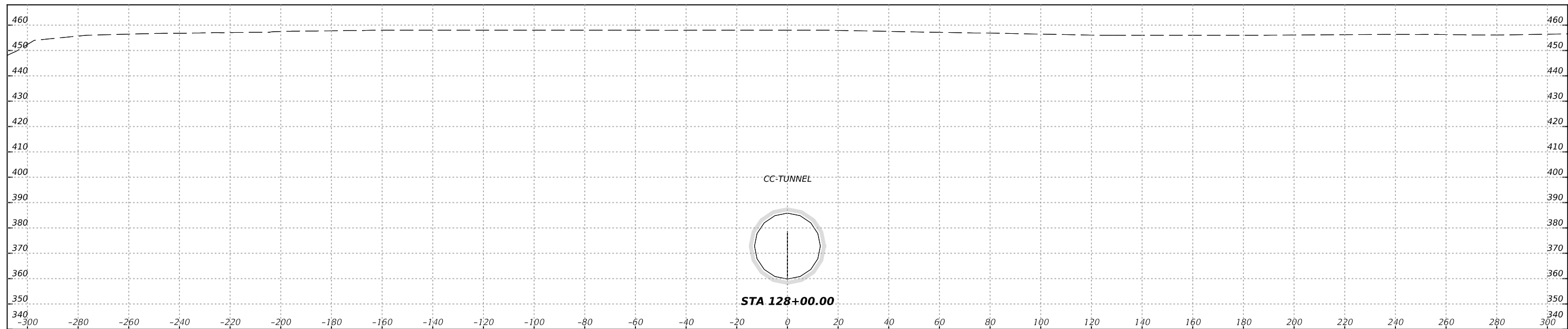
HDR Engineering, Inc.  
 Firm Registration No. F-754  
 710 Hester Crossing, Suite 150  
 Round Rock, Texas 78681



CAPITAL EXPRESS CENTRAL  
 Ç CESAR CHAVEZ TUNNEL  
 STA 127+50.00

SCALE: HORIZ: 1"=40'  
 VERT: 1"=40'

CONT	SECT	JOB	HIGHWAY
0015	13	433, ETC.	I-35
DIST	COUNTY		SHEET NO.
AUS	TRAVIS		777



NO.	DATE	REVISION	APPR BY



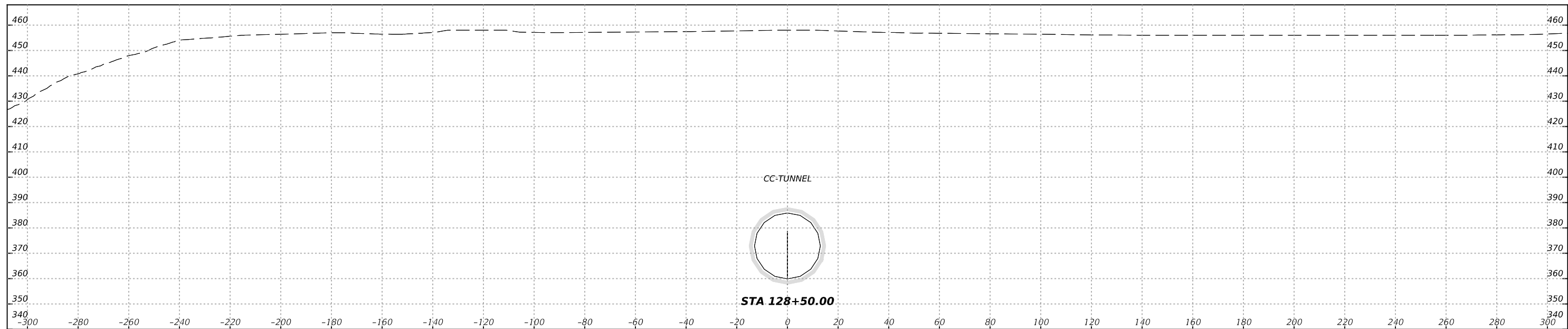
HDR Engineering, Inc.  
 Firm Registration No. F-754  
 710 Hester Crossing, Suite 150  
 Round Rock, Texas 78681



CAPITAL EXPRESS CENTRAL  
 Ç CESAR CHAVEZ TUNNEL  
 STA 128+00.00

SCALE: HORIZ: 1"=40'  
 VERT: 1"=40'

CONT	SECT	JOB	HIGHWAY
0015	13	433, ETC.	I-35
DIST	COUNTY		SHEET NO.
AUS	TRAVIS		778



NO.	DATE	REVISION	APPR BY



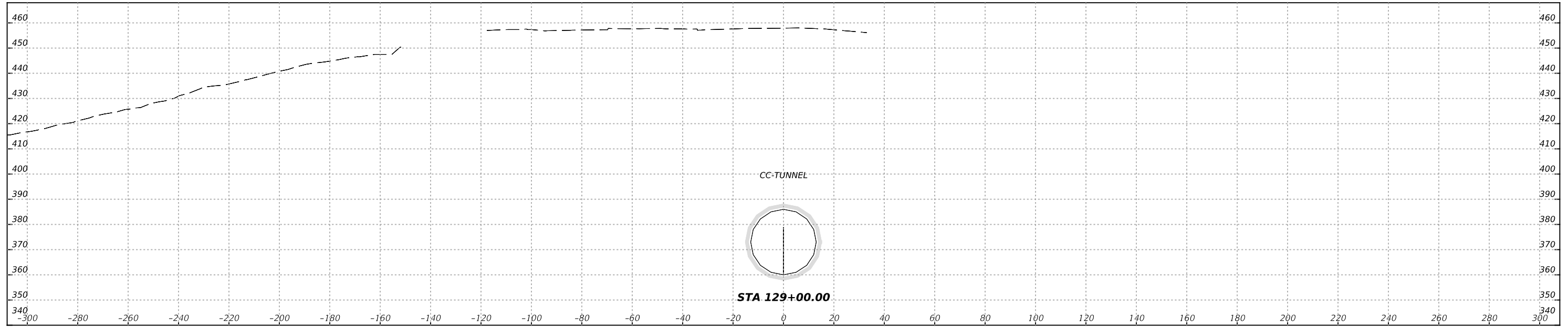
HDR Engineering, Inc.  
 Firm Registration No. F-754  
 710 Hester Crossing, Suite 150  
 Round Rock, Texas 78681



CAPITAL EXPRESS CENTRAL  
 Ç CESAR CHAVEZ TUNNEL  
 STA 128+50.00

SCALE: HORIZ: 1"=40'  
 VERT: 1"=40'

CONT	SECT	JOB	HIGHWAY
0015	13	433, ETC.	I-35
DIST	COUNTY		SHEET NO.
AUS	TRAVIS		779



NO.	DATE	REVISION	APPR BY



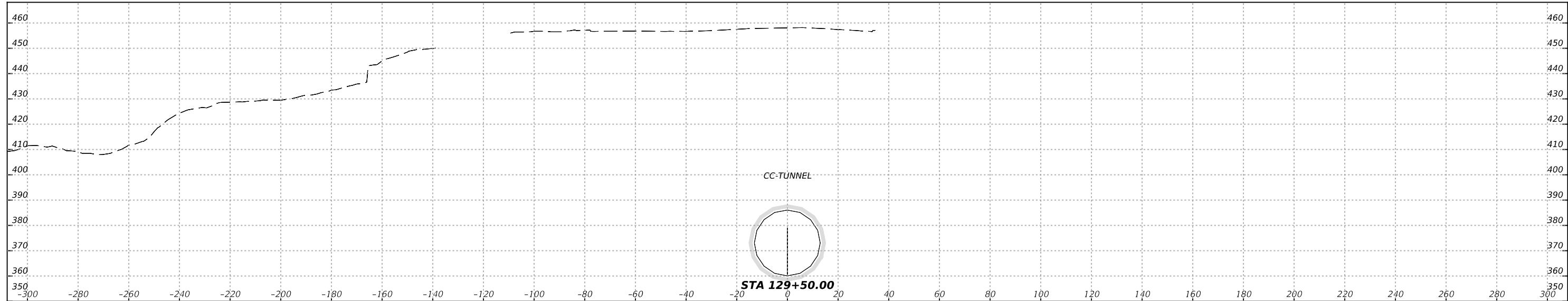
HDR Engineering, Inc.  
 Firm Registration No. F-754  
 710 Hester Crossing, Suite 150  
 Round Rock, Texas 78681



CAPITAL EXPRESS CENTRAL  
 Ç CESAR CHAVEZ TUNNEL  
 STA 129+00.00

SCALE: HORIZ: 1"=40'  
 VERT: 1"=40'

CONT	SECT	JOB	HIGHWAY
0015	13	433, ETC.	I-35
DIST	COUNTY		SHEET NO.
AUS	TRAVIS		780



NO.	DATE	REVISION	APPR BY



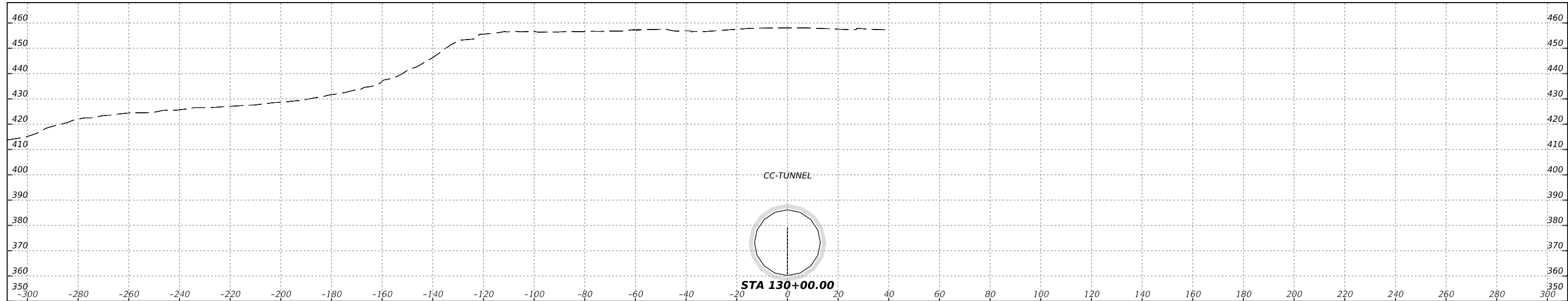
HDR Engineering, Inc.  
 Firm Registration No. F-754  
 710 Hester Crossing, Suite 150  
 Round Rock, Texas 78681



CAPITAL EXPRESS CENTRAL  
 Ç CESAR CHAVEZ TUNNEL  
 STA 129+50.00

SCALE: HORIZ: 1"=40'  
 VERT: 1"=40'

CONT	SECT	JOB	HIGHWAY
0015	13	433, ETC.	I-35
DIST	COUNTY		SHEET NO.
AUS	TRAVIS		781



NO.	DATE	REVISION	APPR BY



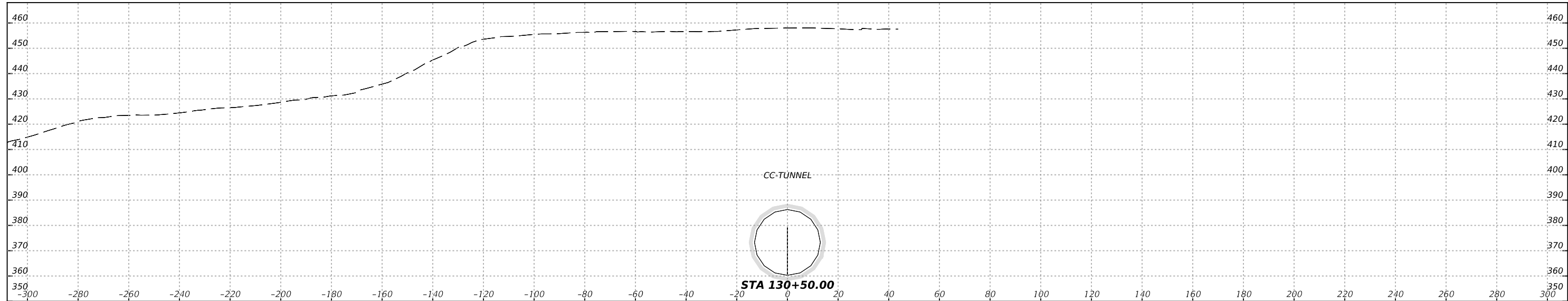
HDR Engineering, Inc.  
 Firm Registration No. F-754  
 710 Hester Crossing, Suite 150  
 Round Rock, Texas 78681



CAPITAL EXPRESS CENTRAL  
 Ç CESAR CHAVEZ TUNNEL  
 STA 130+00.00

SCALE: HORIZ: 1"=40'  
 VERT: 1"=40'

CONT	SECT	JOB	HIGHWAY
0015	13	433, ETC.	I-35
DIST			COUNTY
AUS			TRAVIS
SHEET NO.			782



NO.	DATE	REVISION	APPR BY



HDR Engineering, Inc.  
 Firm Registration No. F-754  
 710 Hester Crossing, Suite 150  
 Round Rock, Texas 78681

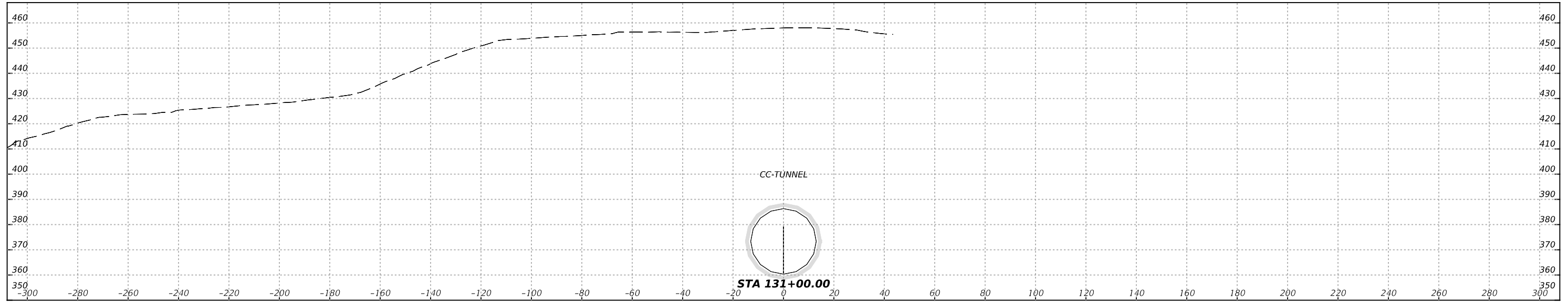


CAPITAL EXPRESS CENTRAL  
 Ç CESAR CHAVEZ TUNNEL  
 STA 130+50.00

SCALE: HORIZ: 1"=40'  
 VERT: 1"=40'

CONT	SECT	JOB	HIGHWAY
0015	13	433, ETC.	I-35
DIST	COUNTY		SHEET NO.
AUS	TRAVIS		783





NO.	DATE	REVISION	APPR BY



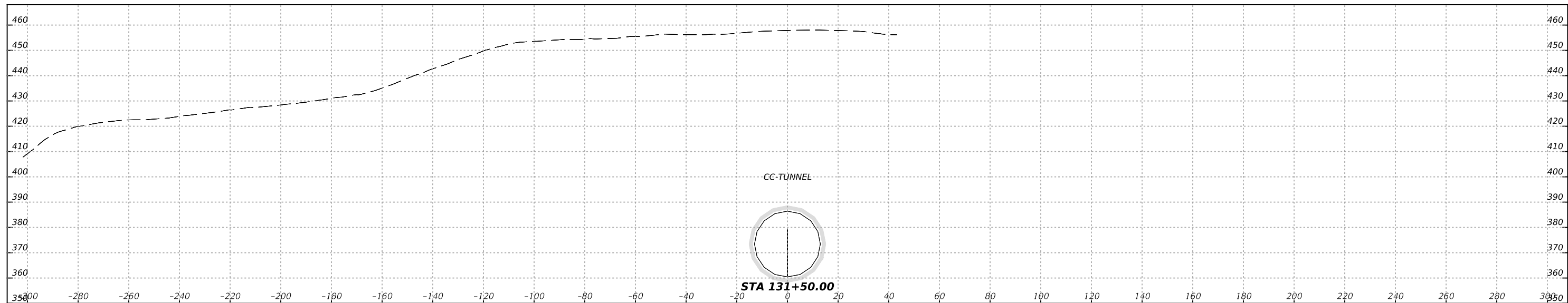
HDR Engineering, Inc.  
 Firm Registration No. F-754  
 710 Hester Crossing, Suite 150  
 Round Rock, Texas 78681



CAPITAL EXPRESS CENTRAL  
 Ç CESAR CHAVEZ TUNNEL  
 STA 131+00.00

SCALE: HORIZ: 1"=40'  
 VERT: 1"=40'

CONT	SECT	JOB	HIGHWAY
0015	13	433, ETC.	I-35
DIST COUNTY			SHEET NO.
AUS	TRAVIS		784



NO.	DATE	REVISION	APPR BY



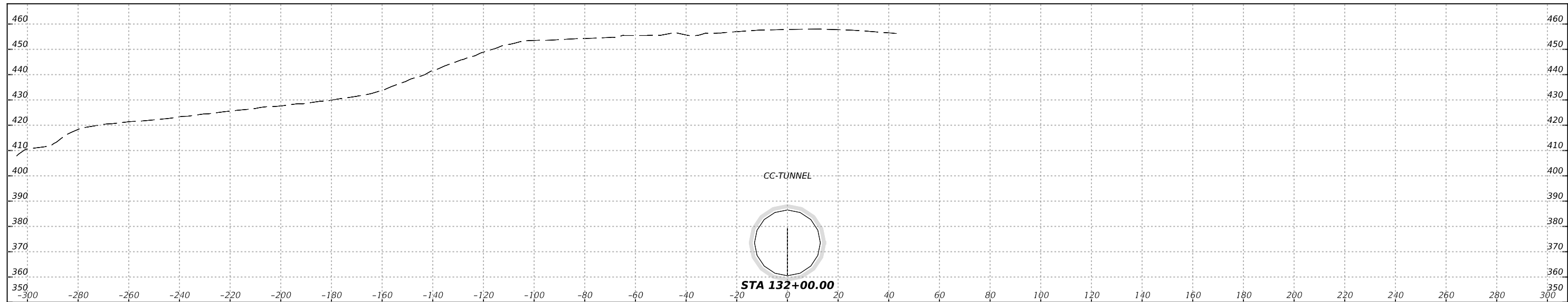
HDR Engineering, Inc.  
 Firm Registration No. F-754  
 710 Hester Crossing, Suite 150  
 Round Rock, Texas 78681



CAPITAL EXPRESS CENTRAL  
 Ç CESAR CHAVEZ TUNNEL  
 STA 131+50.00

SCALE: HORIZ: 1"=40'  
 VERT: 1"=40'

CONT	SECT	JOB	HIGHWAY
0015	13	433, ETC.	I-35
DIST			SHEET NO.
AUS	TRAVIS		785



NO.	DATE	REVISION	APPR BY



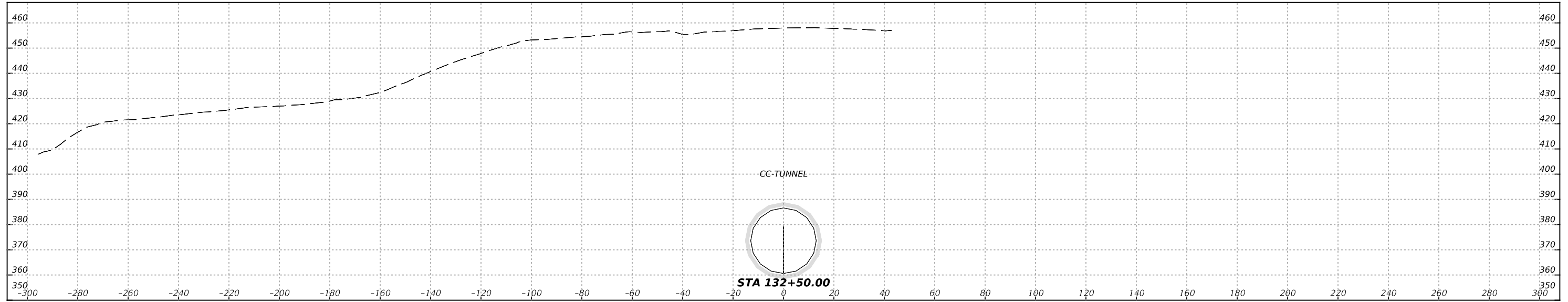
HDR Engineering, Inc.  
 Firm Registration No. F-754  
 710 Hester Crossing, Suite 150  
 Round Rock, Texas 78681



CAPITAL EXPRESS CENTRAL  
 Ç CESAR CHAVEZ TUNNEL  
 STA 132+00.00

SCALE: HORIZ: 1"=40'  
 VERT: 1"=40'

CONT	SECT	JOB	HIGHWAY
0015	13	433, ETC.	I-35
DIST COUNTY			SHEET NO.
AUS	TRAVIS		786



NO.	DATE	REVISION	APPR BY



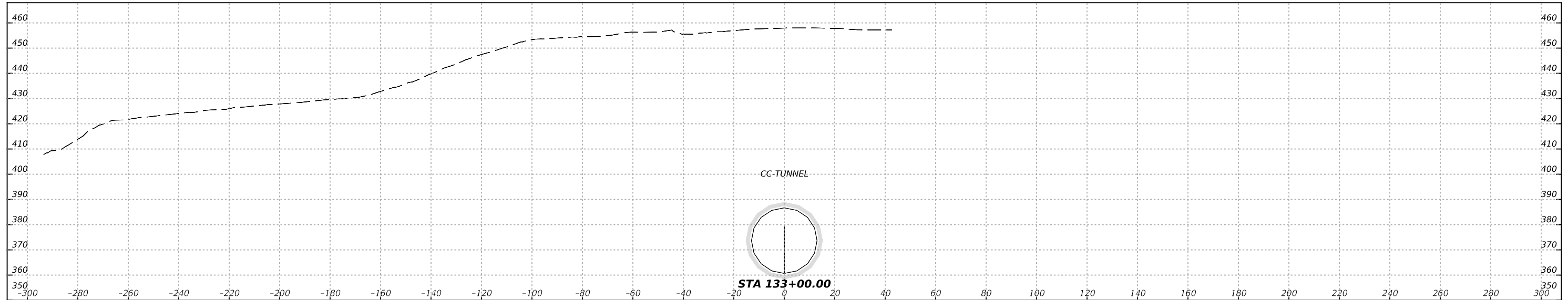
HDR Engineering, Inc.  
 Firm Registration No. F-754  
 710 Hester Crossing, Suite 150  
 Round Rock, Texas 78681



CAPITAL EXPRESS CENTRAL  
 Ç CESAR CHAVEZ TUNNEL  
 STA 132+50.00

SCALE: HORIZ: 1"=40'  
 VERT: 1"=40'

CONT	SECT	JOB	HIGHWAY
0015	13	433, ETC.	I-35
DIST	COUNTY		SHEET NO.
AUS	TRAVIS		787



NO.	DATE	REVISION	APPR BY



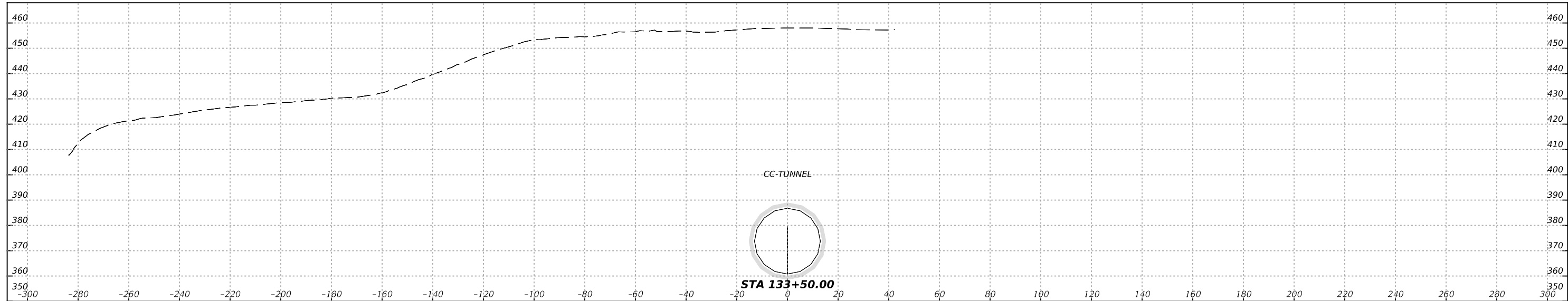
HDR Engineering, Inc.  
 Firm Registration No. F-754  
 710 Hester Crossing, Suite 150  
 Round Rock, Texas 78681



CAPITAL EXPRESS CENTRAL  
 Ç CESAR CHAVEZ TUNNEL  
 STA 133+00.00

SCALE: HORIZ: 1"=40'  
 VERT: 1"=40'

CONT	SECT	JOB	HIGHWAY
0015	13	433, ETC.	I-35
DIST			SHEET NO.
AUS	TRAVIS		788



NO.	DATE	REVISION	APPR BY



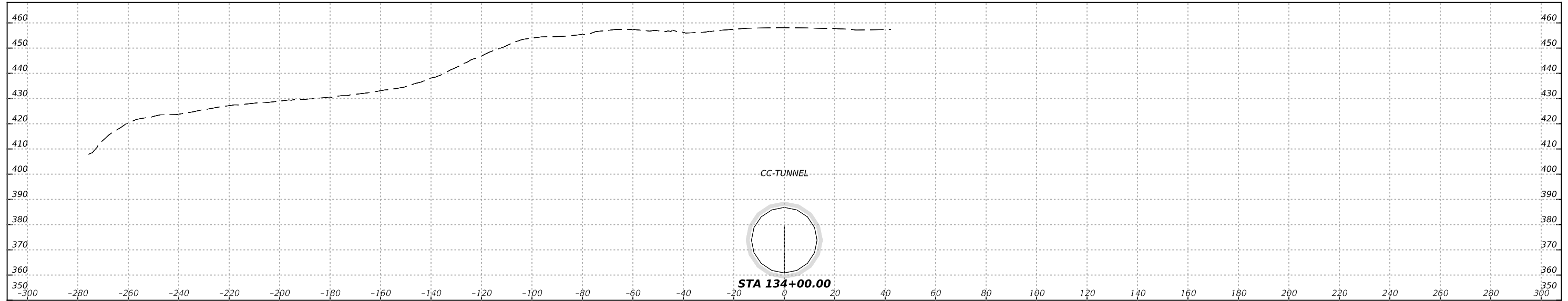
HDR Engineering, Inc.  
 Firm Registration No. F-754  
 710 Hester Crossing, Suite 150  
 Round Rock, Texas 78681



CAPITAL EXPRESS CENTRAL  
 Ç CESAR CHAVEZ TUNNEL  
 STA 133+50.00

SCALE: HORIZ: 1"=40'  
 VERT: 1"=40'

CONT	SECT	JOB	HIGHWAY
0015	13	433, ETC.	I-35
DIST			SHEET NO.
AUS	TRAVIS		789



NO.	DATE	REVISION	APPR BY



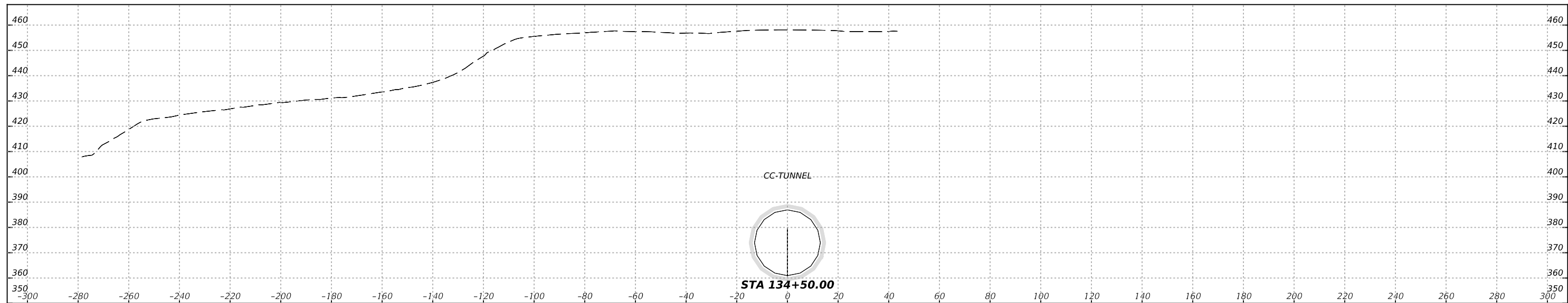
HDR Engineering, Inc.  
 Firm Registration No. F-754  
 710 Hester Crossing, Suite 150  
 Round Rock, Texas 78681



CAPITAL EXPRESS CENTRAL  
 Ç CESAR CHAVEZ TUNNEL  
 STA 134+00.00

SCALE: HORIZ: 1"=40'  
 VERT: 1"=40'

CONT	SECT	JOB	HIGHWAY
0015	13	433, ETC.	I-35
DIST COUNTY			SHEET NO.
AUS	TRAVIS		790



NO.	DATE	REVISION	APPR BY



HDR Engineering, Inc.  
 Firm Registration No. F-754  
 710 Hester Crossing, Suite 150  
 Round Rock, Texas 78681

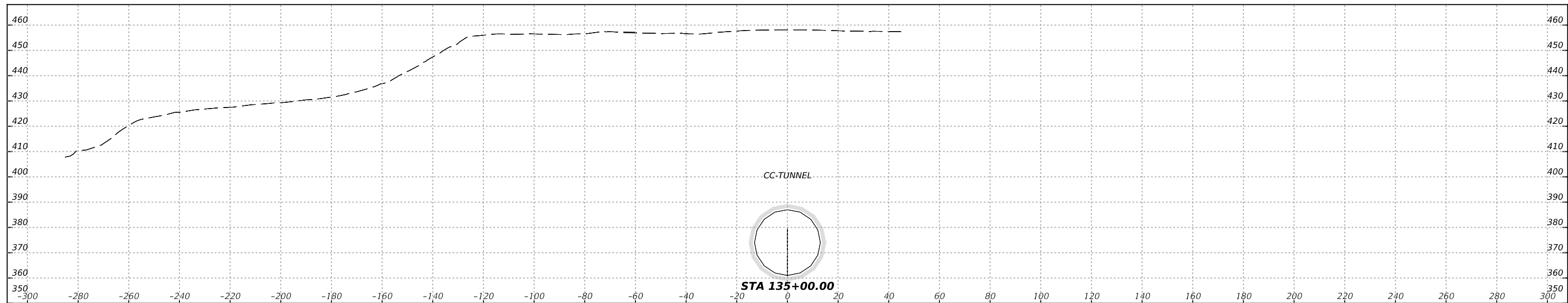


CAPITAL EXPRESS CENTRAL  
 Ç CESAR CHAVEZ TUNNEL  
 STA 134+50.00

SCALE: HORIZ: 1"=40'  
 VERT: 1"=40'

CONT	SECT	JOB	HIGHWAY
0015	13	433, ETC.	I-35
DIST	COUNTY		SHEET NO.
AUS	TRAVIS		791





NO.	DATE	REVISION	APPR BY



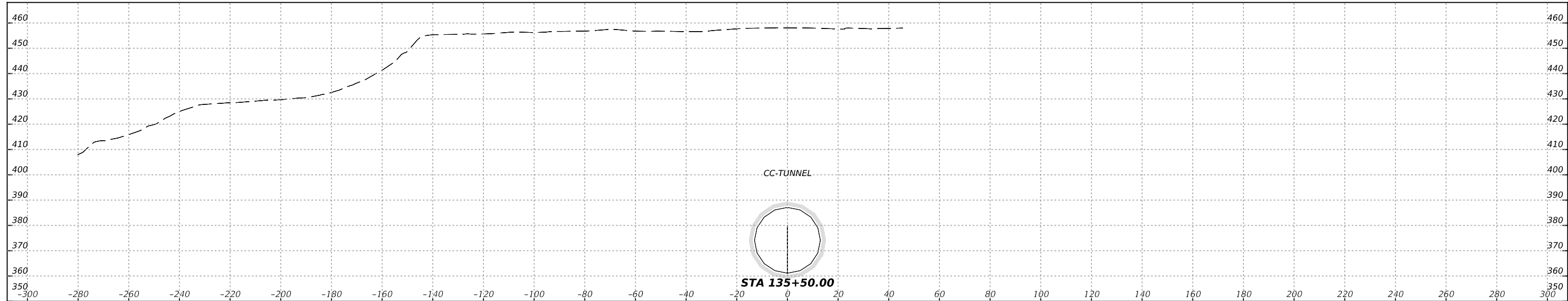
HDR Engineering, Inc.  
 Firm Registration No. F-754  
 710 Hester Crossing, Suite 150  
 Round Rock, Texas 78681



CAPITAL EXPRESS CENTRAL  
 Ç CESAR CHAVEZ TUNNEL  
 STA 135+00.00

SCALE: HORIZ: 1"=40'  
 VERT: 1"=40'

CONT	SECT	JOB	HIGHWAY
0015	13	433, ETC.	I-35
DIST			SHEET NO.
AUS	TRAVIS		792



NO.	DATE	REVISION	APPR BY



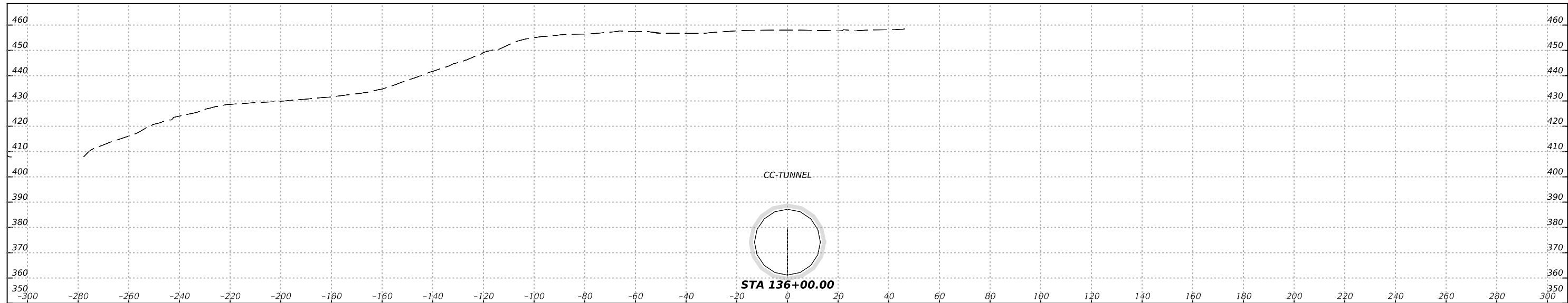
HDR Engineering, Inc.  
 Firm Registration No. F-754  
 710 Hester Crossing, Suite 150  
 Round Rock, Texas 78681



CAPITAL EXPRESS CENTRAL  
 Ç CESAR CHAVEZ TUNNEL  
 STA 135+50.00

SCALE: HORIZ: 1"=40'  
 VERT: 1"=40'

CONT	SECT	JOB	HIGHWAY
0015	13	433, ETC.	I-35
DIST	COUNTY	SHEET NO.	
AUS	TRAVIS	793	



NO.	DATE	REVISION	APPR BY



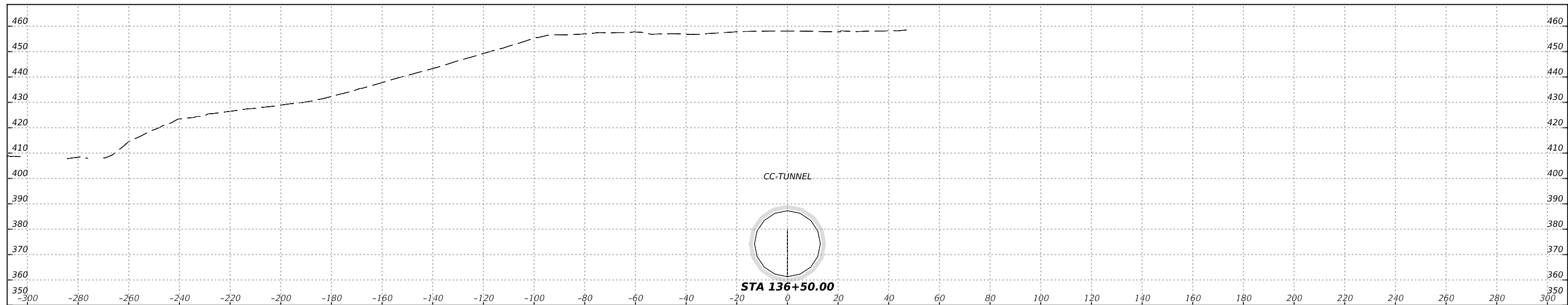
HDR Engineering, Inc.  
 Firm Registration No. F-754  
 710 Hester Crossing, Suite 150  
 Round Rock, Texas 78681



CAPITAL EXPRESS CENTRAL  
 Ç CESAR CHAVEZ TUNNEL  
 STA 136+00.00

SCALE: HORIZ: 1"=40'  
 VERT: 1"=40'

CONT	SECT	JOB	HIGHWAY
0015	13	433, ETC.	I-35
DIST			COUNTY
AUS			TRAVIS
SHEET NO.			SHEET NO.
			794



NO.	DATE	REVISION	APPR BY



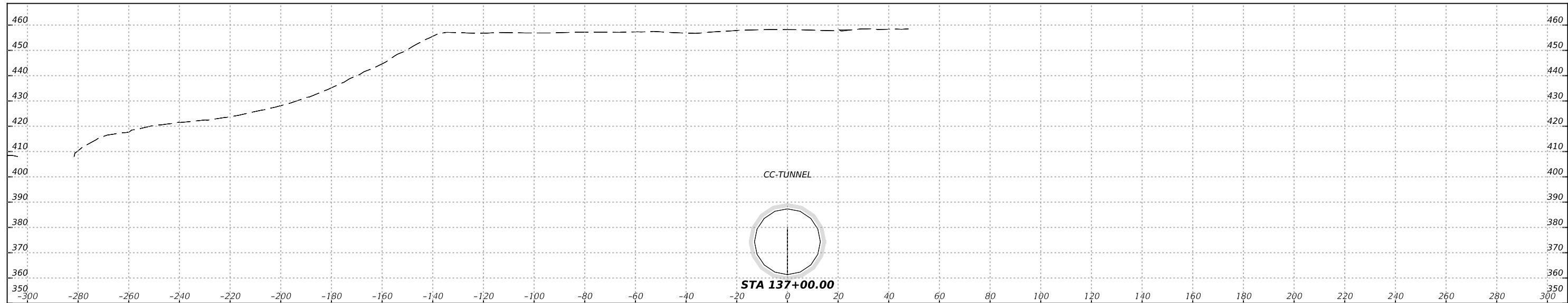
HDR Engineering, Inc.  
 Firm Registration No. F-754  
 710 Hester Crossing, Suite 150  
 Round Rock, Texas 78681



CAPITAL EXPRESS CENTRAL  
 Ç CESAR CHAVEZ TUNNEL  
 STA 136+50.00

SCALE: HORIZ: 1"=40'  
 VERT: 1"=40'

CONT	SECT	JOB	HIGHWAY
0015	13	433, ETC.	I-35
DIST COUNTY			SHEET NO.
AUS	TRAVIS		795



NO.	DATE	REVISION	APPR BY



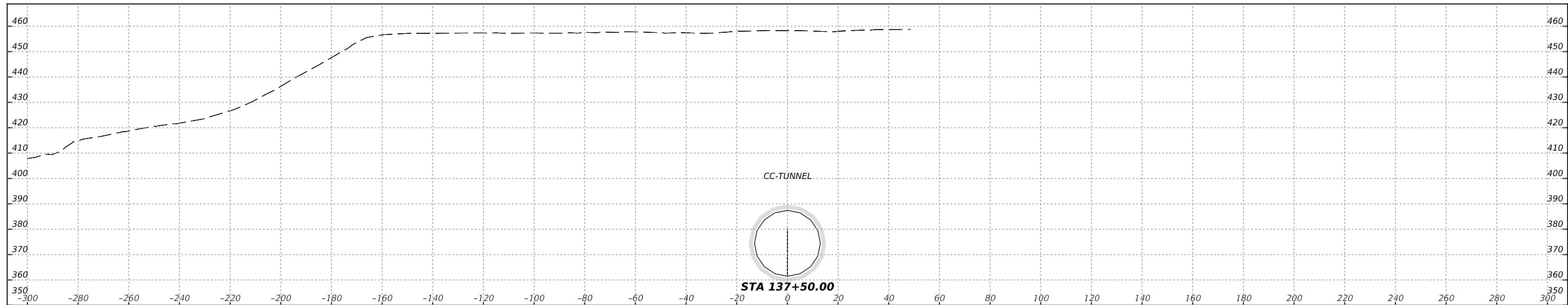
HDR Engineering, Inc.  
 Firm Registration No. F-754  
 710 Hester Crossing, Suite 150  
 Round Rock, Texas 78681



CAPITAL EXPRESS CENTRAL  
 Ç CESAR CHAVEZ TUNNEL  
 STA 137+00.00

SCALE: HORIZ: 1"=40'  
 VERT: 1"=40'

CONT	SECT	JOB	HIGHWAY
0015	13	433, ETC.	I-35
DIST			SHEET NO.
AUS	TRAVIS		797



NO.	DATE	REVISION	APPR BY



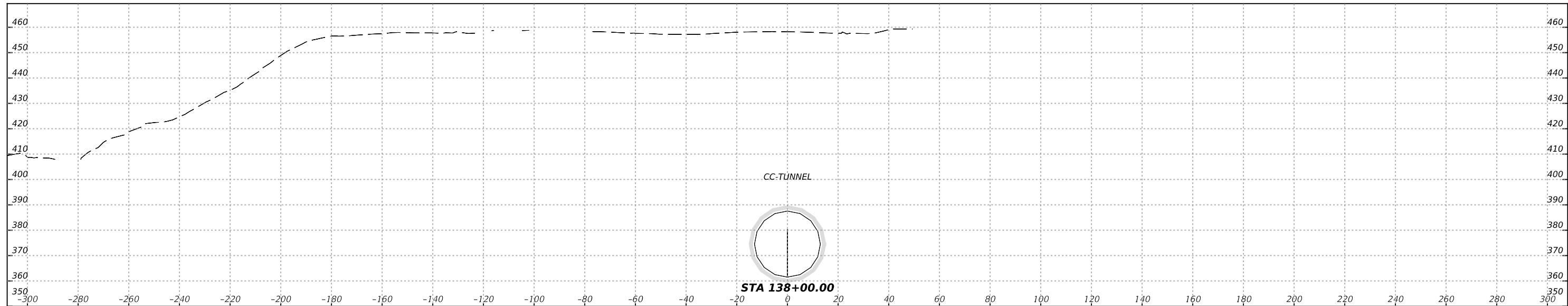
HDR Engineering, Inc.  
 Firm Registration No. F-754  
 710 Hester Crossing, Suite 150  
 Round Rock, Texas 78681



CAPITAL EXPRESS CENTRAL  
 Ç CESAR CHAVEZ TUNNEL  
 STA 137+50.00

SCALE: HORIZ: 1"=40'  
 VERT: 1"=40'

CONT	SECT	JOB	HIGHWAY
0015	13	433, ETC.	I-35
DIST			SHEET NO.
AUS	TRAVIS		797



NO.	DATE	REVISION	APPR BY



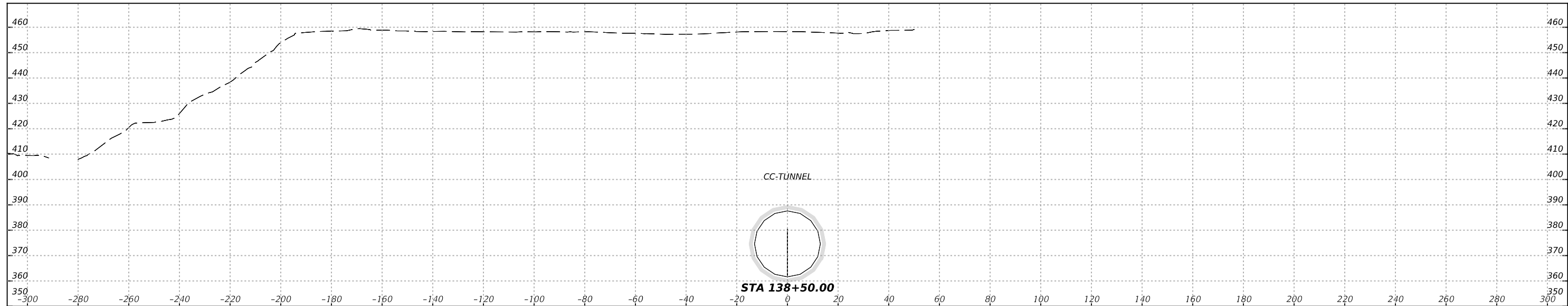
HDR Engineering, Inc.  
 Firm Registration No. F-754  
 710 Hester Crossing, Suite 150  
 Round Rock, Texas 78681



CAPITAL EXPRESS CENTRAL  
 Ç CESAR CHAVEZ TUNNEL  
 STA 138+00.00

SCALE: HORIZ: 1"=40'  
 VERT: 1"=40'

CONT	SECT	JOB	HIGHWAY
0015	13	433, ETC.	I-35
DIST	COUNTY		SHEET NO.
AUS	TRAVIS		798



NO.	DATE	REVISION	APPR BY



HDR Engineering, Inc.  
 Firm Registration No. F-754  
 710 Hester Crossing, Suite 150  
 Round Rock, Texas 78681

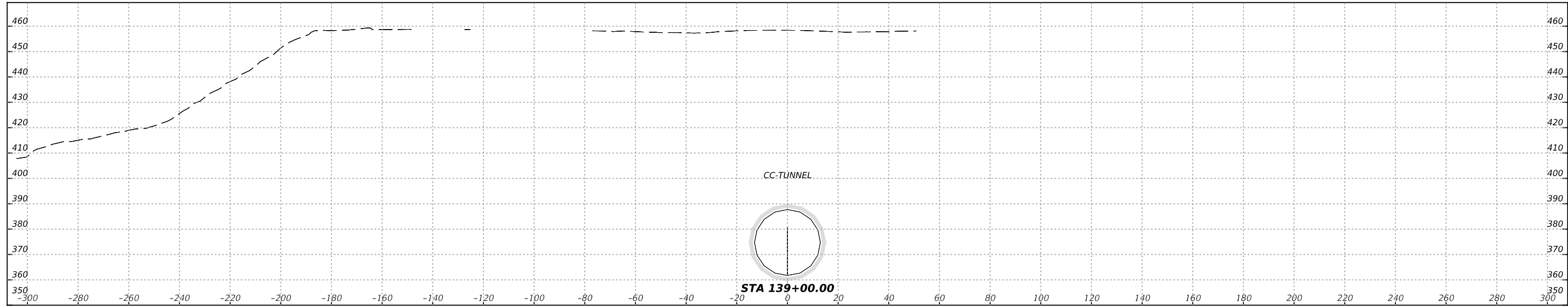


CAPITAL EXPRESS CENTRAL  
 Ç CESAR CHAVEZ TUNNEL  
 STA 138+50.00

SCALE: HORIZ: 1"=40'  
 VERT: 1"=40'

CONT	SECT	JOB	HIGHWAY
0015	13	433, ETC.	I-35
DIST		COUNTY	SHEET NO.
AUS		TRAVIS	799





NO.	DATE	REVISION	APPR BY



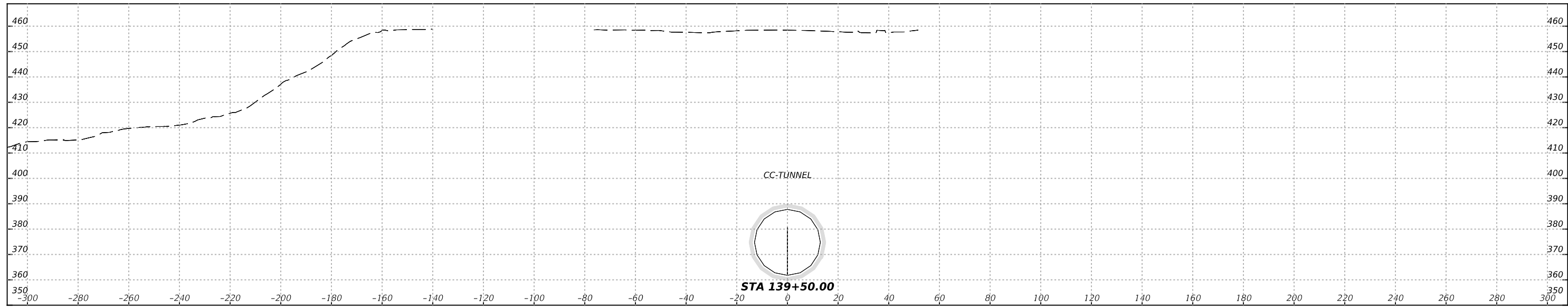
HDR Engineering, Inc.  
 Firm Registration No. F-754  
 710 Hester Crossing, Suite 150  
 Round Rock, Texas 78681



CAPITAL EXPRESS CENTRAL  
 Ç CESAR CHAVEZ TUNNEL  
 STA 139+00.00

SCALE: HORIZ: 1"=40'  
 VERT: 1"=40'

CONT	SECT	JOB	HIGHWAY
0015	13	433, ETC.	I-35
DIST	COUNTY		SHEET NO.
AUS	TRAVIS		800



NO.	DATE	REVISION	APPR BY



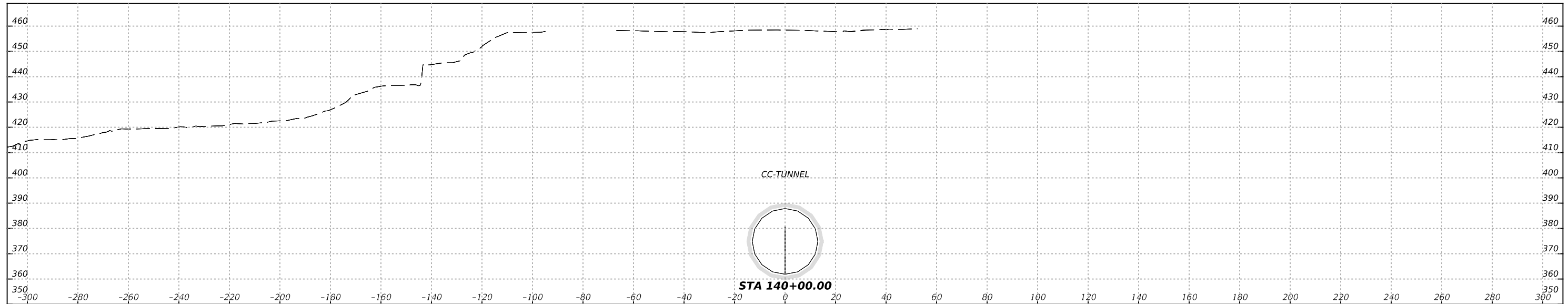
HDR Engineering, Inc.  
 Firm Registration No. F-754  
 710 Hester Crossing, Suite 150  
 Round Rock, Texas 78681



CAPITAL EXPRESS CENTRAL  
 Ç CESAR CHAVEZ TUNNEL  
 STA 139+50.00

SCALE: HORIZ: 1"=40'  
 VERT: 1"=40'

CONT	SECT	JOB	HIGHWAY
0015	13	433, ETC.	I-35
DIST	COUNTY		SHEET NO.
AUS	TRAVIS		801



NO.	DATE	REVISION	APPR BY



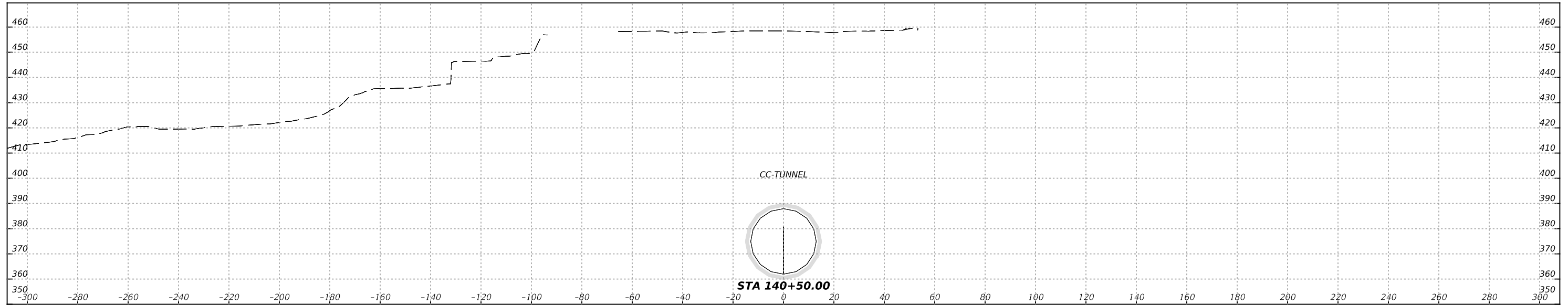
HDR Engineering, Inc.  
 Firm Registration No. F-754  
 710 Hester Crossing, Suite 150  
 Round Rock, Texas 78681



CAPITAL EXPRESS CENTRAL  
 Ç CESAR CHAVEZ TUNNEL  
 STA 140+00.00

SCALE: HORIZ: 1"=40'  
 VERT: 1"=40'

CONT	SECT	JOB	HIGHWAY
0015	13	433, ETC.	I-35
DIST			COUNTY
AUS			TRAVIS
SHEET NO.			802



NO.	DATE	REVISION	APPR BY



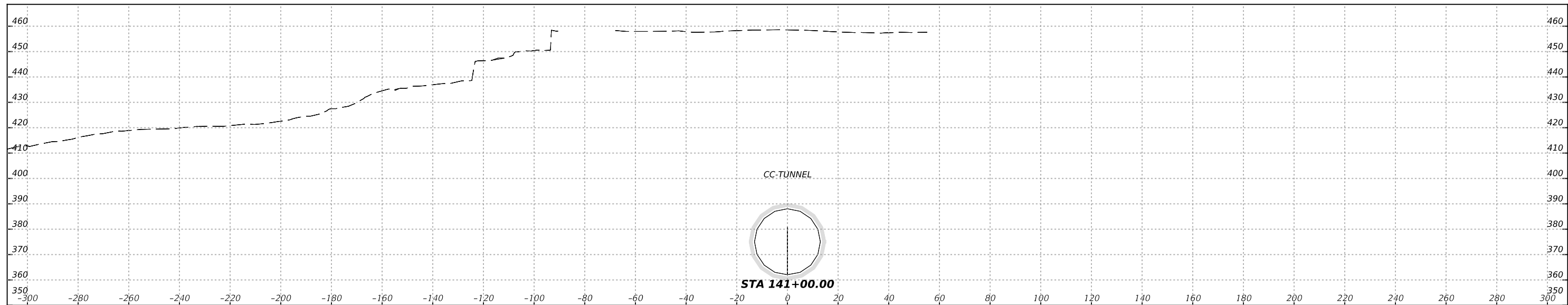
HDR Engineering, Inc.  
 Firm Registration No. F-754  
 710 Hester Crossing, Suite 150  
 Round Rock, Texas 78681



CAPITAL EXPRESS CENTRAL  
 Ç CESAR CHAVEZ TUNNEL  
 STA 140+50.00

SCALE: HORIZ: 1"=40'  
 VERT: 1"=40'

CONT	SECT	JOB	HIGHWAY
0015	13	433, ETC.	I-35
DIST	COUNTY		SHEET NO.
AUS	TRAVIS		802



NO.	DATE	REVISION	APPR BY



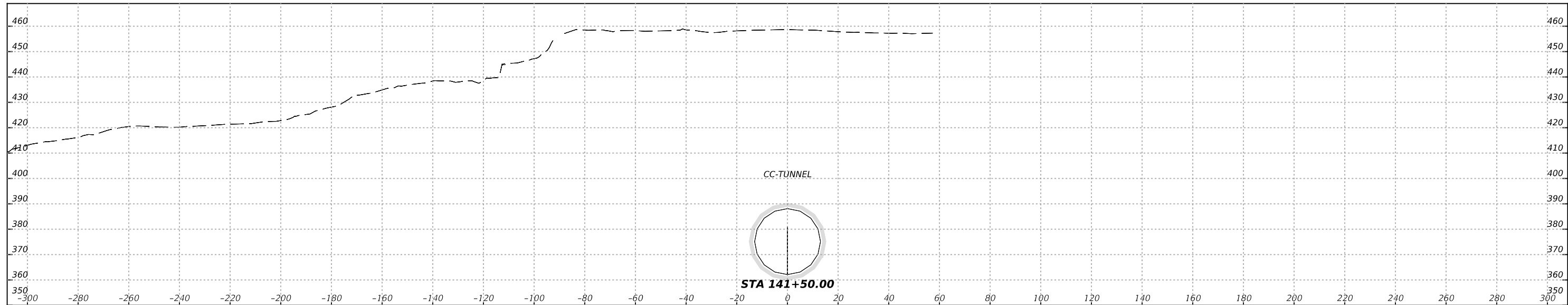
HDR Engineering, Inc.  
 Firm Registration No. F-754  
 710 Hester Crossing, Suite 150  
 Round Rock, Texas 78681



CAPITAL EXPRESS CENTRAL  
 Ç CESAR CHAVEZ TUNNEL  
 STA 141+00.00

SCALE: HORIZ: 1"=40'  
 VERT: 1"=40'

CONT	SECT	JOB	HIGHWAY
0015	13	433, ETC.	I-35
DIST			COUNTY
AUS			TRAVIS
SHEET NO.			804



NO.	DATE	REVISION	APPR BY



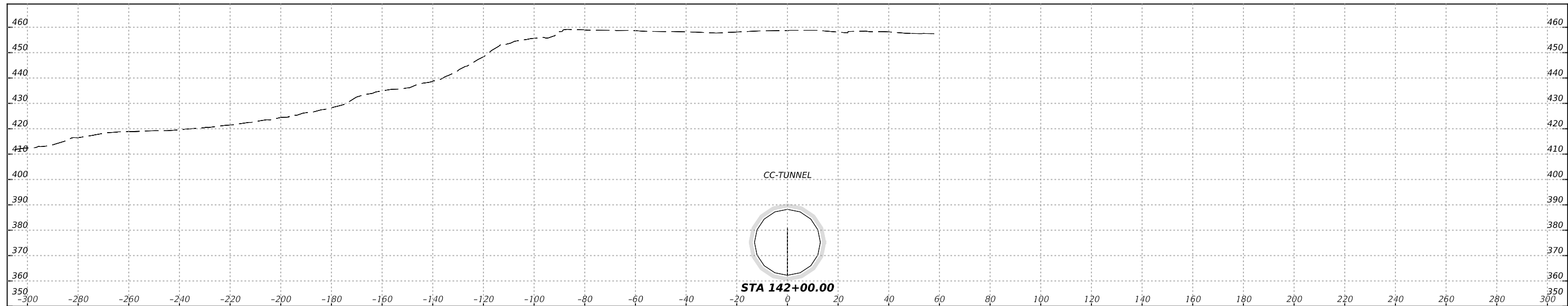
HDR Engineering, Inc.  
 Firm Registration No. F-754  
 710 Hester Crossing, Suite 150  
 Round Rock, Texas 78681



CAPITAL EXPRESS CENTRAL  
 Ç CESAR CHAVEZ TUNNEL  
 STA 141+50.00

SCALE: HORIZ: 1"=40'  
 VERT: 1"=40'

CONT	SECT	JOB	HIGHWAY
0015	13	433, ETC.	I-35
DIST	COUNTY		SHEET NO.
AUS	TRAVIS		805



NO.	DATE	REVISION	APPR BY



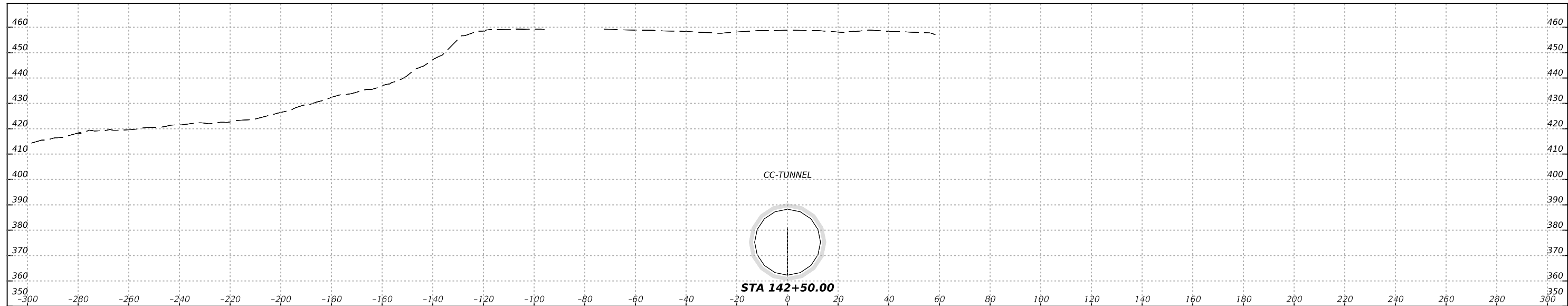
HDR Engineering, Inc.  
 Firm Registration No. F-754  
 710 Hester Crossing, Suite 150  
 Round Rock, Texas 78681



CAPITAL EXPRESS CENTRAL  
 Ç CESAR CHAVEZ TUNNEL  
 STA 142+00.00

SCALE: HORIZ: 1"=40'  
 VERT: 1"=40'

CONT	SECT	JOB	HIGHWAY
0015	13	433, ETC.	I-35
DIST	COUNTY		SHEET NO.
AUS	TRAVIS		806



NO.	DATE	REVISION	APPR BY



HDR Engineering, Inc.  
 Firm Registration No. F-754  
 710 Hester Crossing, Suite 150  
 Round Rock, Texas 78681

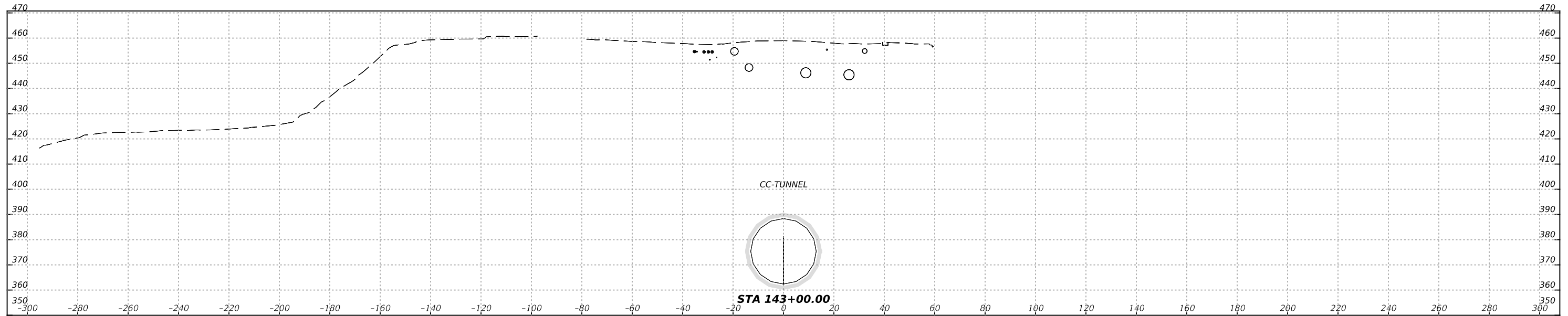


CAPITAL EXPRESS CENTRAL  
 Ç CESAR CHAVEZ TUNNEL  
 STA 142+50.00

SCALE: HORIZ: 1"=40'  
 VERT: 1"=40'

CONT	SECT	JOB	HIGHWAY
0015	13	433, ETC.	I-35
DIST			SHEET NO.
AUS	TRAVIS		807





NO.	DATE	REVISION	APPR BY



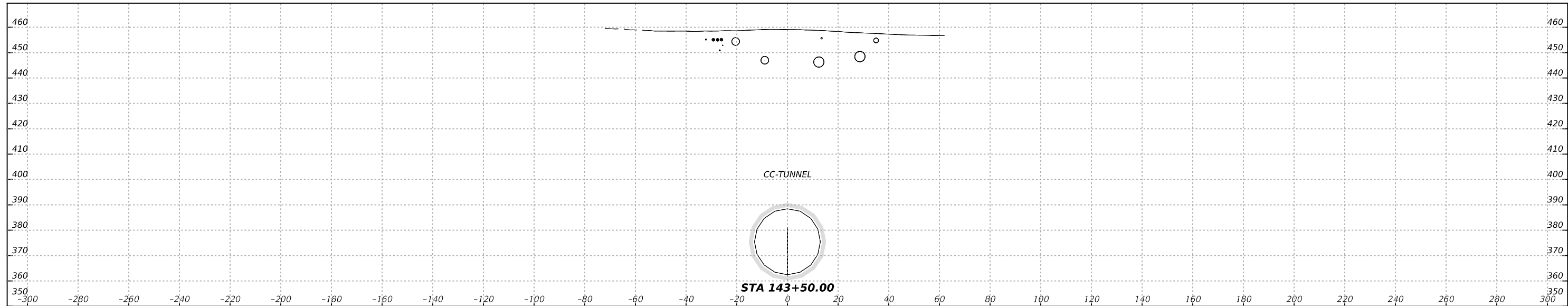
HDR Engineering, Inc.  
 Firm Registration No. F-754  
 710 Hester Crossing, Suite 150  
 Round Rock, Texas 78681



CAPITAL EXPRESS CENTRAL  
 Ç CESAR CHAVEZ TUNNEL  
 STA 143+00.00

SCALE: HORIZ: 1"=40'  
 VERT: 1"=40'

CONT	SECT	JOB	HIGHWAY
0015	13	433, ETC.	I-35
DIST COUNTY			SHEET NO.
AUS	TRAVIS		808



NO.	DATE	REVISION	APPR BY



HDR Engineering, Inc.  
 Firm Registration No. F-754  
 710 Hester Crossing, Suite 150  
 Round Rock, Texas 78681

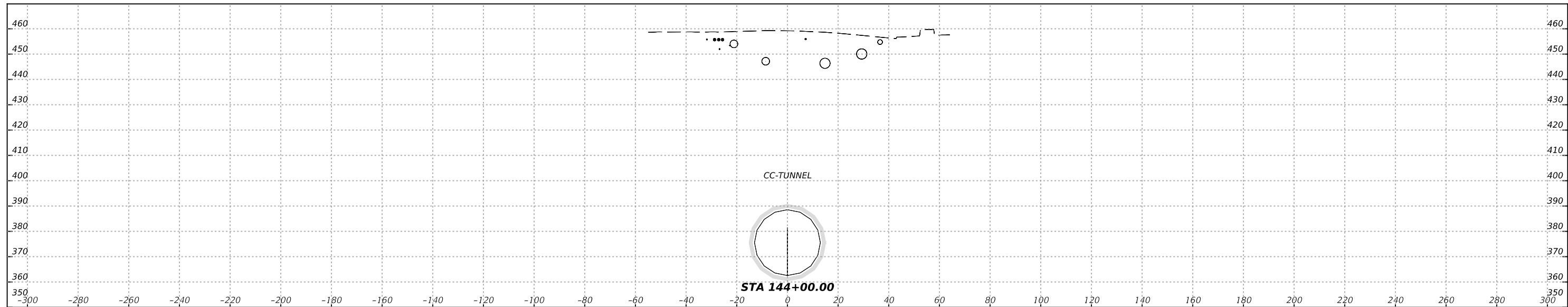


CAPITAL EXPRESS CENTRAL  
 Ç CESAR CHAVEZ TUNNEL  
 STA 143+50.00

SCALE: HORIZ: 1"=40'  
 VERT: 1"=40'

CONT	SECT	JOB	HIGHWAY
0015	13	433, ETC.	I-35
DIST COUNTY			SHEET NO.
AUS	TRAVIS		809

DW: ACF CK: JD



NO.	DATE	REVISION	APPR BY



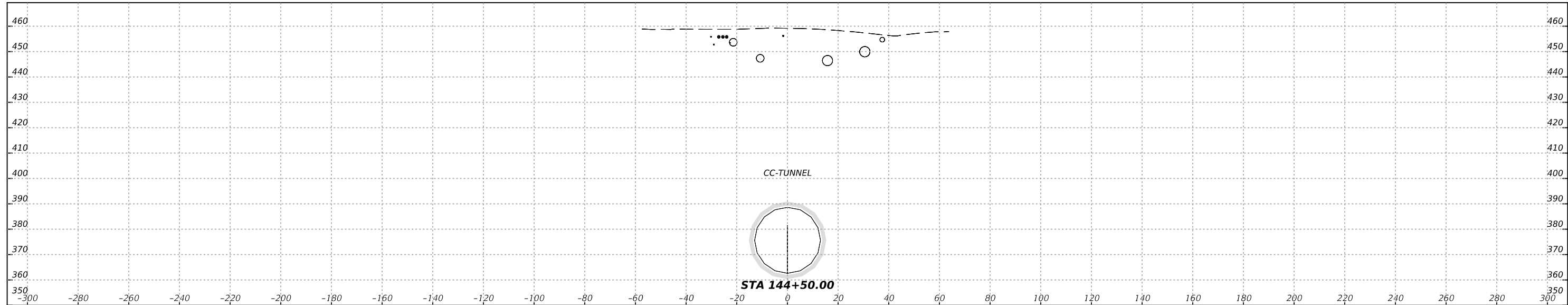
HDR Engineering, Inc.  
Firm Registration No. F-754  
710 Hester Crossing, Suite 150  
Round Rock, Texas 78681



**CAPITAL EXPRESS CENTRAL**  
**Ç CESAR CHAVEZ TUNNEL**  
**STA 144+00.00**

SCALE: HORIZ: 1"=40'  
VERT: 1"=40'

CONT	SECT	JOB	HIGHWAY
0015	13	433, ETC.	I-35
DIST COUNTY			SHEET NO.
AUS	TRAVIS		810



NO.	DATE	REVISION	APPR BY



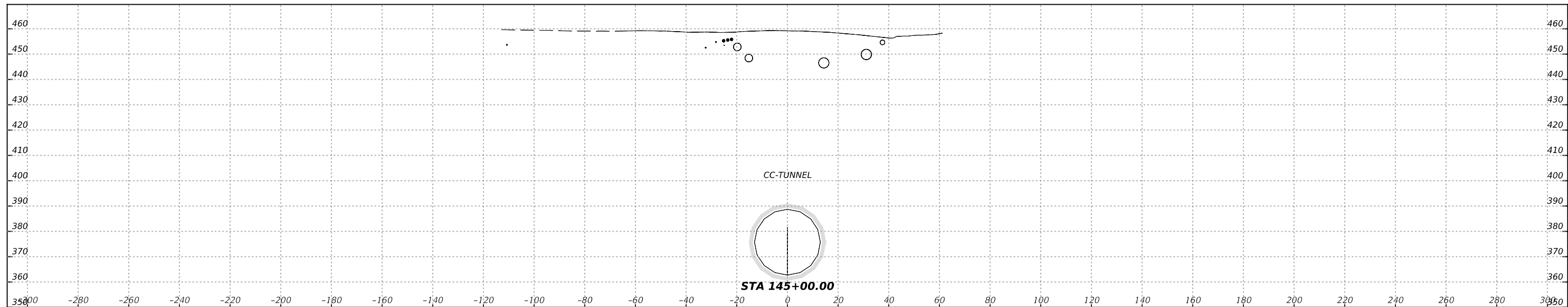
HDR Engineering, Inc.  
 Firm Registration No. F-754  
 710 Hester Crossing, Suite 150  
 Round Rock, Texas 78681



CAPITAL EXPRESS CENTRAL  
 Ç CESAR CHAVEZ TUNNEL  
 STA 144+50.00

SCALE: HORIZ: 1"=40'  
 VERT: 1"=40'

CONT	SECT	JOB	HIGHWAY
0015	13	433, ETC.	I-35
DIST COUNTY			SHEET NO.
AUS	TRAVIS		811



NO.	DATE	REVISION	APPR BY



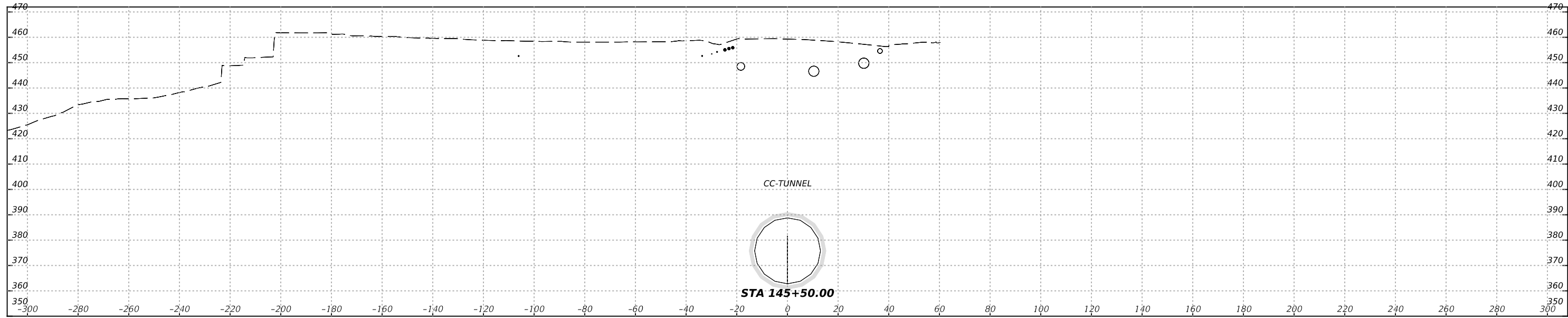
HDR Engineering, Inc.  
 Firm Registration No. F-754  
 710 Hester Crossing, Suite 150  
 Round Rock, Texas 78681



CAPITAL EXPRESS CENTRAL  
 Ç CESAR CHAVEZ TUNNEL  
 STA 145+00.00

SCALE: HORIZ: 1"=40'  
 VERT: 1"=40'

CONT	SECT	JOB	HIGHWAY
0015	13	433, ETC.	I-35
DIST	COUNTY		SHEET NO.
AUS	TRAVIS		812



NO.	DATE	REVISION	APPR BY



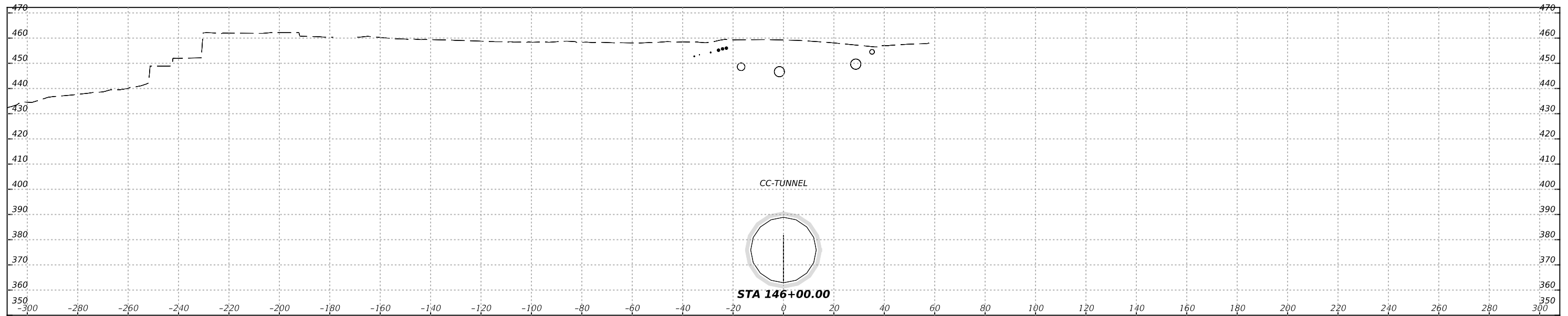
HDR Engineering, Inc.  
 Firm Registration No. F-754  
 710 Hester Crossing, Suite 150  
 Round Rock, Texas 78681



CAPITAL EXPRESS CENTRAL  
 Ç CESAR CHAVEZ TUNNEL  
 STA 145+50.00

SCALE: HORIZ: 1"=40'  
 VERT: 1"=40'

CONT	SECT	JOB	HIGHWAY
0015	13	433, ETC.	I-35
DIST			SHEET NO.
AUS	TRAVIS		813



NO.	DATE	REVISION	APPR BY



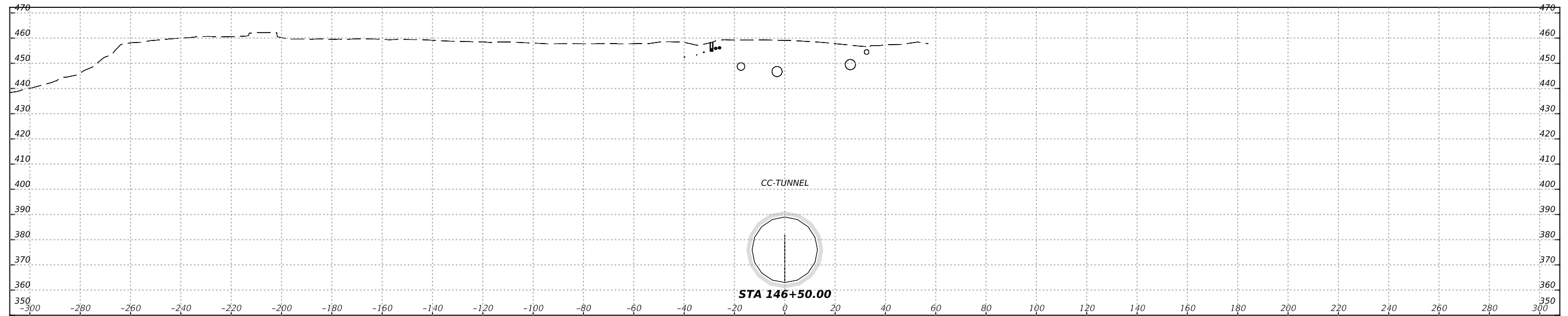
HDR Engineering, Inc.  
 Firm Registration No. F-754  
 710 Hester Crossing, Suite 150  
 Round Rock, Texas 78681



CAPITAL EXPRESS CENTRAL  
 Ç CESAR CHAVEZ TUNNEL  
 STA 146+00.00

SCALE: HORIZ: 1"=40'  
 VERT: 1"=40'

CONT	SECT	JOB	HIGHWAY
0015	13	433, ETC.	I-35
DIST			SHEET NO.
AUS	TRAVIS		814



NO.	DATE	REVISION	APPR BY



HDR Engineering, Inc.  
 Firm Registration No. F-754  
 710 Hester Crossing, Suite 150  
 Round Rock, Texas 78681

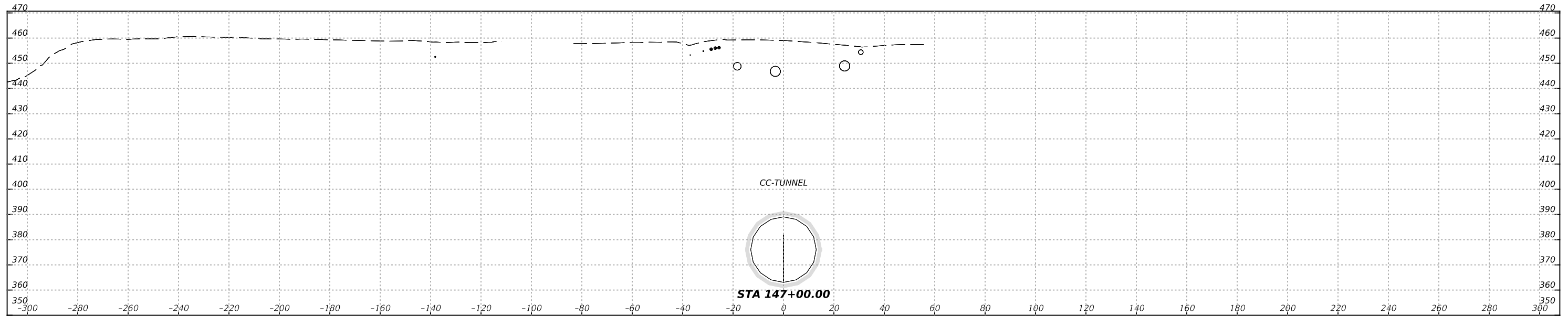


CAPITAL EXPRESS CENTRAL  
 Ç CESAR CHAVEZ TUNNEL  
 STA 146+50.00

SCALE: HORIZ: 1"=40'  
 VERT: 1"=40'

CONT	SECT	JOB	HIGHWAY
0015	13	433, ETC.	I-35
DIST COUNTY			SHEET NO.
AUS	TRAVIS		815





NO.	DATE	REVISION	APPR BY



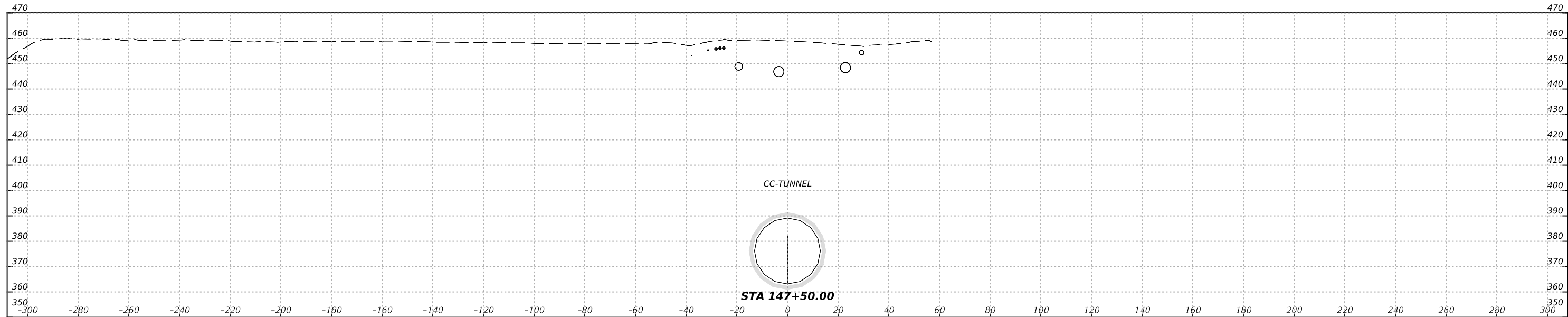
HDR Engineering, Inc.  
 Firm Registration No. F-754  
 710 Hester Crossing, Suite 150  
 Round Rock, Texas 78681



CAPITAL EXPRESS CENTRAL  
 Ç CESAR CHAVEZ TUNNEL  
 STA 147+00.00

SCALE: HORIZ: 1"=40'  
 VERT: 1"=40'

CONT	SECT	JOB	HIGHWAY
0015	13	433, ETC.	I-35
DIST			SHEET NO.
AUS	TRAVIS		816



NO.	DATE	REVISION	APPR BY



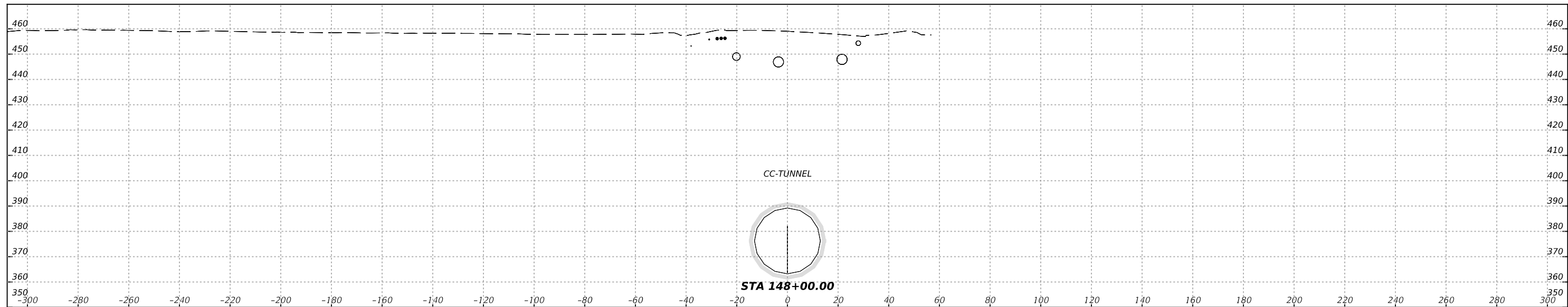
HDR Engineering, Inc.  
 Firm Registration No. F-754  
 710 Hester Crossing, Suite 150  
 Round Rock, Texas 78681



CAPITAL EXPRESS CENTRAL  
 Ç CESAR CHAVEZ TUNNEL  
 STA 147+50.00

SCALE: HORIZ: 1"=40'  
 VERT: 1"=40'

CONT	SECT	JOB	HIGHWAY
0015	13	433, ETC.	I-35
DIST			COUNTY
AUS			TRAVIS
SHEET NO.			SHEET NO.
			817



NO.	DATE	REVISION	APPR BY



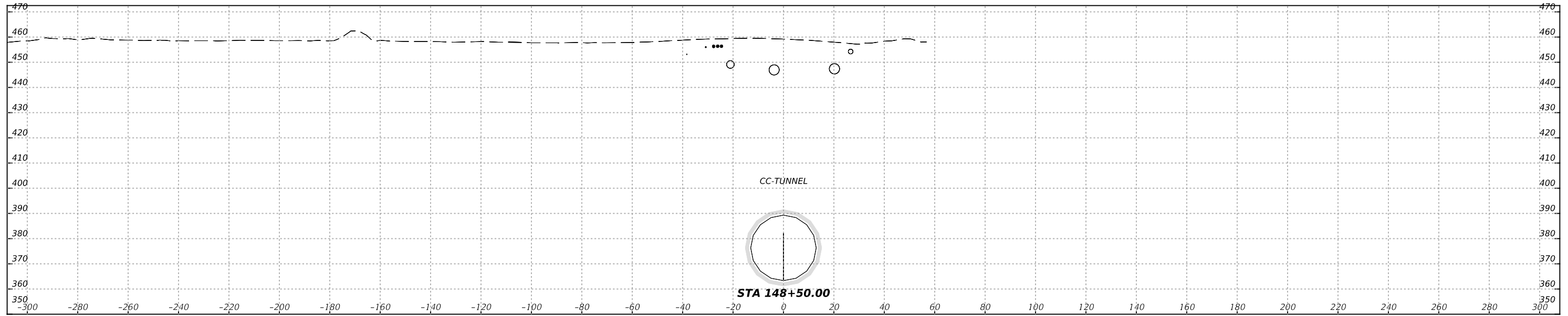
HDR Engineering, Inc.  
 Firm Registration No. F-754  
 710 Hester Crossing, Suite 150  
 Round Rock, Texas 78681



CAPITAL EXPRESS CENTRAL  
 Ç CESAR CHAVEZ TUNNEL  
 STA 148+00.00

SCALE: HORIZ: 1"=40'  
 VERT: 1"=40'

CONT	SECT	JOB	HIGHWAY
0015	13	433, ETC.	I-35
DIST COUNTY			SHEET NO.
AUS	TRAVIS		818



NO.	DATE	REVISION	APPR BY



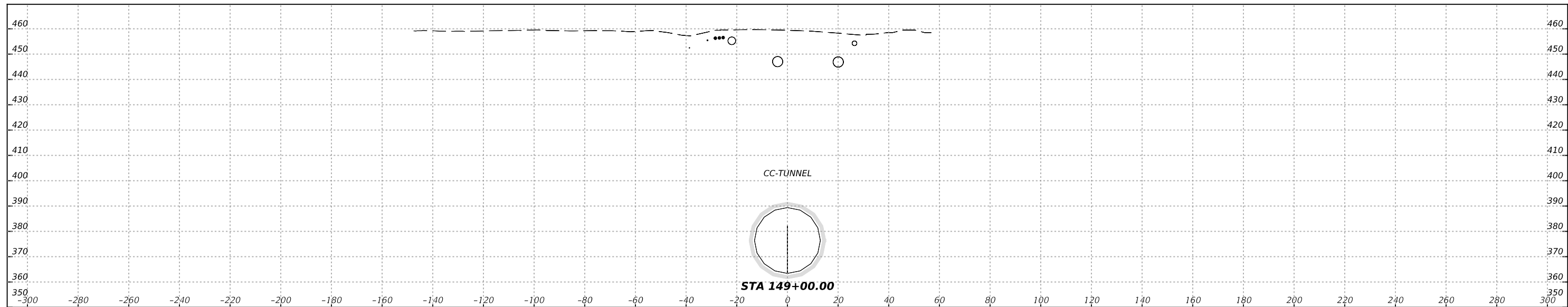
HDR Engineering, Inc.  
 Firm Registration No. F-754  
 710 Hester Crossing, Suite 150  
 Round Rock, Texas 78681



CAPITAL EXPRESS CENTRAL  
 Ç CESAR CHAVEZ TUNNEL  
 STA 148+50.00

SCALE: HORIZ: 1"=40'  
 VERT: 1"=40'

CONT	SECT	JOB	HIGHWAY
0015	13	433, ETC.	I-35
DIST COUNTY			SHEET NO.
AUS	TRAVIS		819



NO.	DATE	REVISION	APPR BY



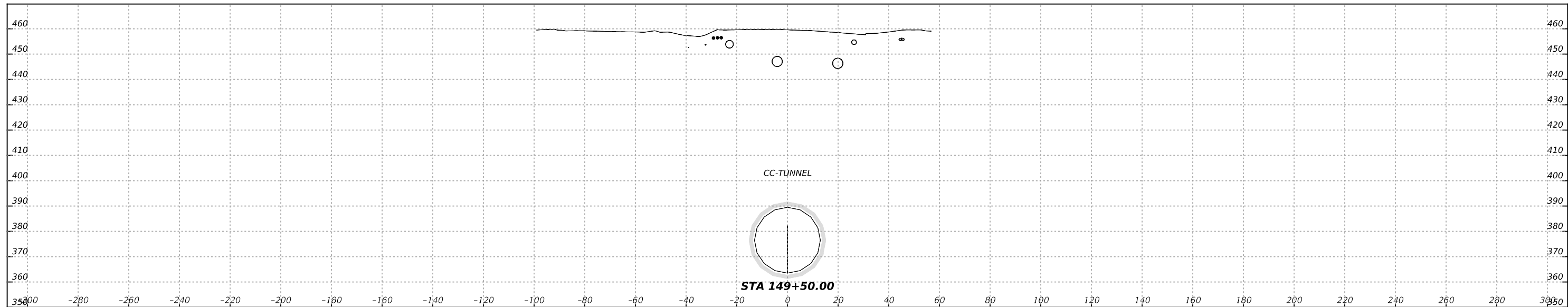
HDR Engineering, Inc.  
 Firm Registration No. F-754  
 710 Hester Crossing, Suite 150  
 Round Rock, Texas 78681



CAPITAL EXPRESS CENTRAL  
 Ç CESAR CHAVEZ TUNNEL  
 STA 149+00.00

SCALE: HORIZ: 1"=40'  
 VERT: 1"=40'

CONT	SECT	JOB	HIGHWAY
0015	13	433, ETC.	I-35
DIST			SHEET NO.
AUS	TRAVIS		820



NO.	DATE	REVISION	APPR BY



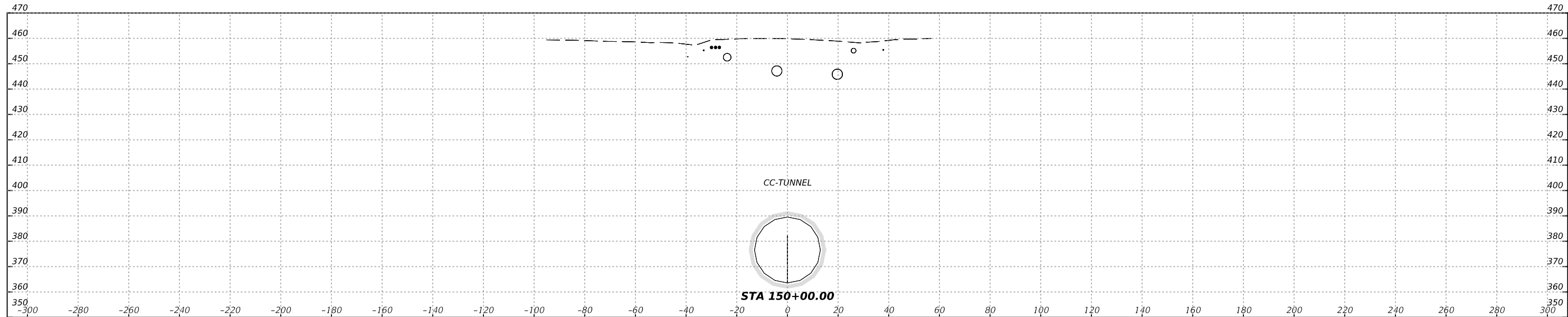
HDR Engineering, Inc.  
 Firm Registration No. F-754  
 710 Hester Crossing, Suite 150  
 Round Rock, Texas 78681



CAPITAL EXPRESS CENTRAL  
 Ç CESAR CHAVEZ TUNNEL  
 STA 149+50.00

SCALE: HORIZ: 1"=40'  
 VERT: 1"=40'

CONT	SECT	JOB	HIGHWAY
0015	13	433, ETC.	I-35
DIST	COUNTY		SHEET NO.
AUS	TRAVIS		821



NO.	DATE	REVISION	APPR BY



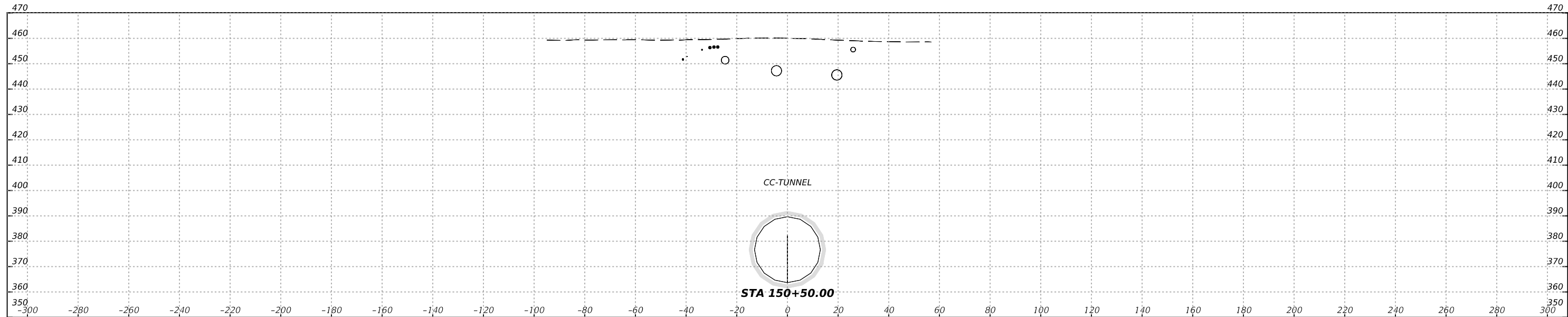
HDR Engineering, Inc.  
 Firm Registration No. F-754  
 710 Hester Crossing, Suite 150  
 Round Rock, Texas 78681



CAPITAL EXPRESS CENTRAL  
 Ç CESAR CHAVEZ TUNNEL  
 STA 150+00.00

SCALE: HORIZ: 1"=40'  
 VERT: 1"=40'

CONT	SECT	JOB	HIGHWAY
0015	13	433, ETC.	I-35
DIST COUNTY			SHEET NO.
AUS	TRAVIS		822



NO.	DATE	REVISION	APPR BY



HDR Engineering, Inc.  
 Firm Registration No. F-754  
 710 Hester Crossing, Suite 150  
 Round Rock, Texas 78681

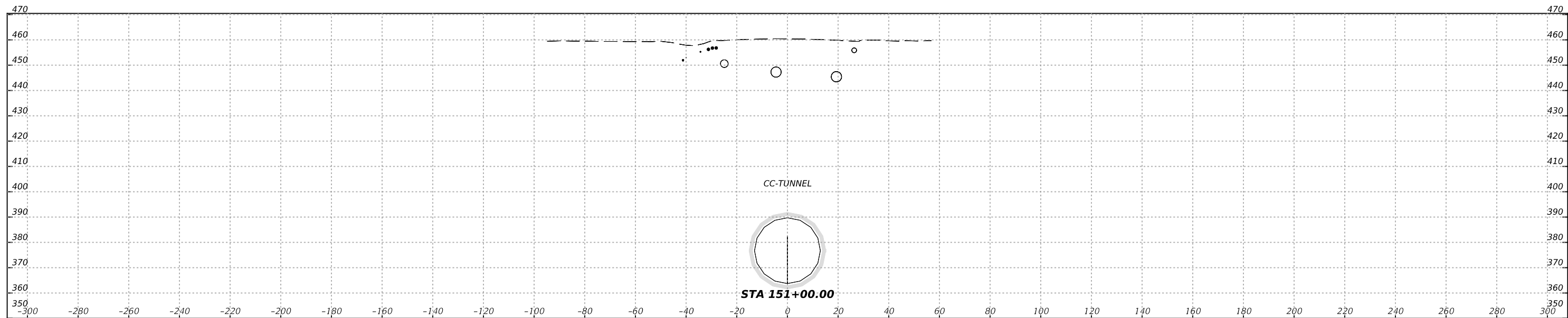


CAPITAL EXPRESS CENTRAL  
 Ç CESAR CHAVEZ TUNNEL  
 STA 150+50.00

SCALE: HORIZ: 1"=40'  
 VERT: 1"=40'

CONT	SECT	JOB	HIGHWAY
0015	13	433, ETC.	I-35
DIST COUNTY			SHEET NO.
AUS	TRAVIS	823	





NO.	DATE	REVISION	APPR BY



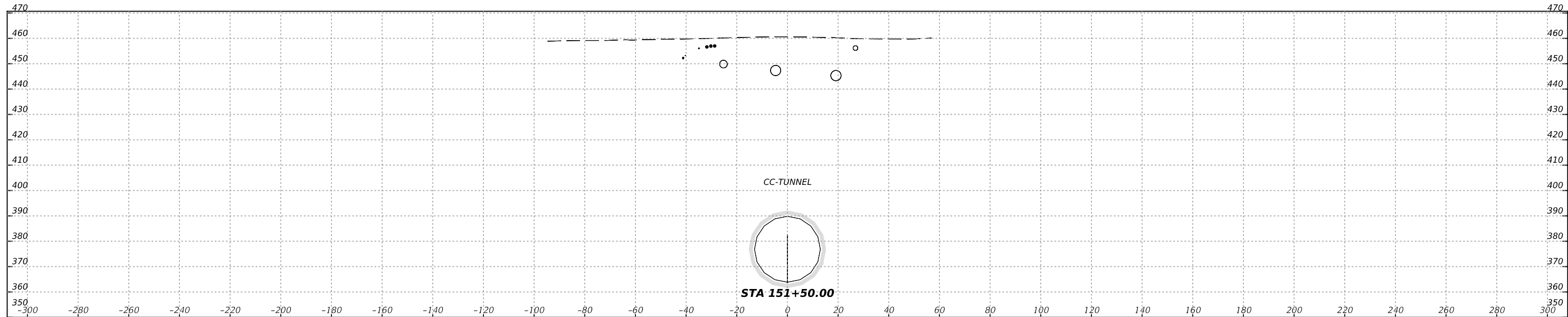
HDR Engineering, Inc.  
 Firm Registration No. F-754  
 710 Hester Crossing, Suite 150  
 Round Rock, Texas 78681



CAPITAL EXPRESS CENTRAL  
 Ç CESAR CHAVEZ TUNNEL  
 STA 151+00.00

SCALE: HORIZ: 1"=40'  
 VERT: 1"=40'

CONT	SECT	JOB	HIGHWAY
0015	13	433, ETC.	I-35
DIST COUNTY			SHEET NO.
AUS	TRAVIS	824	



NO.	DATE	REVISION	APPR BY



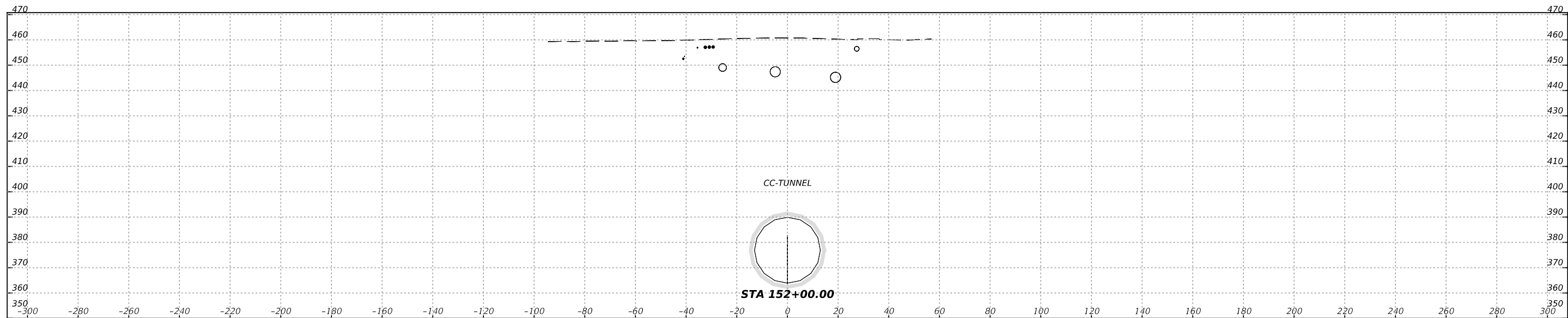
HDR Engineering, Inc.  
 Firm Registration No. F-754  
 710 Hester Crossing, Suite 150  
 Round Rock, Texas 78681



CAPITAL EXPRESS CENTRAL  
 Ç CESAR CHAVEZ TUNNEL  
 STA 151+50.00

SCALE: HORIZ: 1"=40'  
 VERT: 1"=40'

CONT	SECT	JOB	HIGHWAY
0015	13	433, ETC.	I-35
DIST COUNTY			SHEET NO.
AUS	TRAVIS		825



NO.	DATE	REVISION	APPR BY



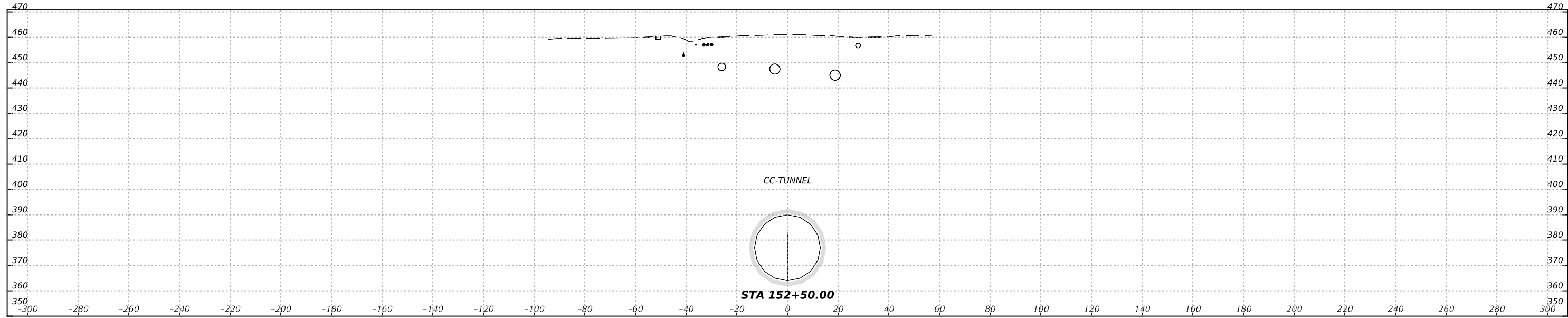
HDR Engineering, Inc.  
 Firm Registration No. F-754  
 710 Hester Crossing, Suite 150  
 Round Rock, Texas 78681



CAPITAL EXPRESS CENTRAL  
 Ç CESAR CHAVEZ TUNNEL  
 STA 152+00.00

SCALE: HORIZ: 1"=40'  
 VERT: 1"=40'

CONT	SECT	JOB	HIGHWAY
0015	13	433, ETC.	I-35
DIST COUNTY			SHEET NO.
AUS	TRAVIS		826



NO.	DATE	REVISION	APPR BY



HDR Engineering, Inc.  
 Firm Registration No. F-754  
 710 Hester Crossing, Suite 150  
 Round Rock, Texas 78681



CAPITAL AREA 35

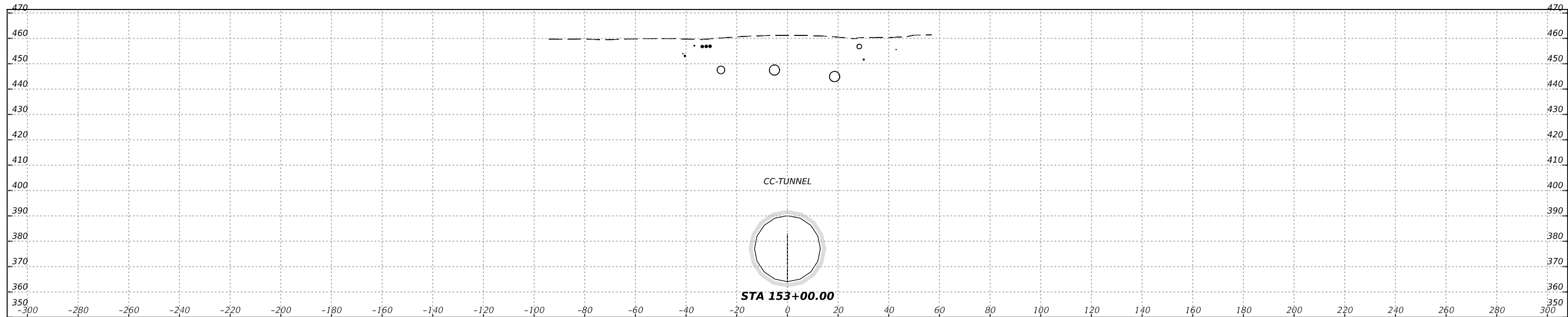


Texas Department of Transportation

CAPITAL EXPRESS CENTRAL  
 Ç CESAR CHAVEZ TUNNEL  
 STA 152+50.00

SCALE: HORIZ: 1"=40'  
 VERT: 1"=40'

CONT	SECT	JOB	HIGHWAY
0015	13	433, ETC.	I-35
DIST			SHEET NO.
AUS	TRAVIS		827



NO.	DATE	REVISION	APPR BY



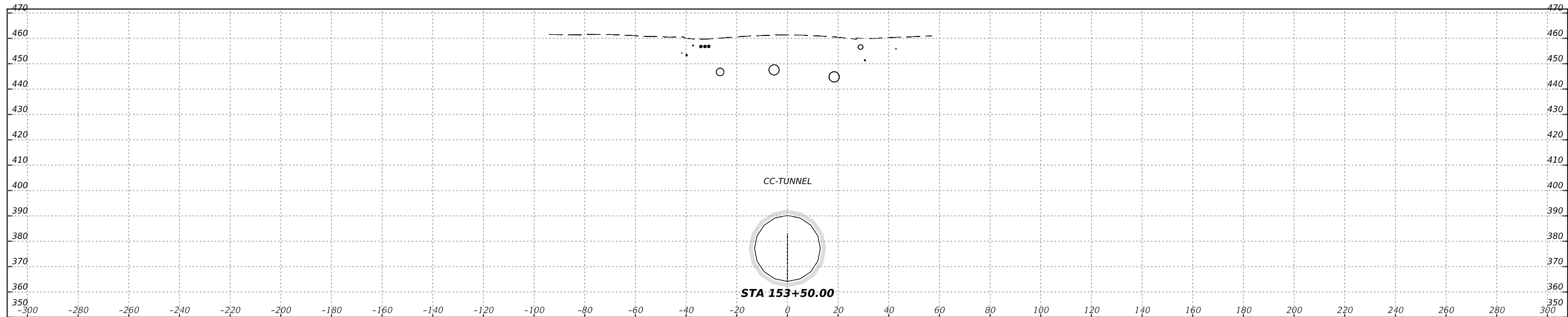
HDR Engineering, Inc.  
 Firm Registration No. F-754  
 710 Hester Crossing, Suite 150  
 Round Rock, Texas 78681



CAPITAL EXPRESS CENTRAL  
 Ç CESAR CHAVEZ TUNNEL  
 STA 153+00.00

SCALE: HORIZ: 1"=40'  
 VERT: 1"=40'

CONT	SECT	JOB	HIGHWAY
0015	13	433, ETC.	I-35
DIST			COUNTY
AUS			TRAVIS
SHEET NO.			SHEET NO.
			828



NO.	DATE	REVISION	APPR BY



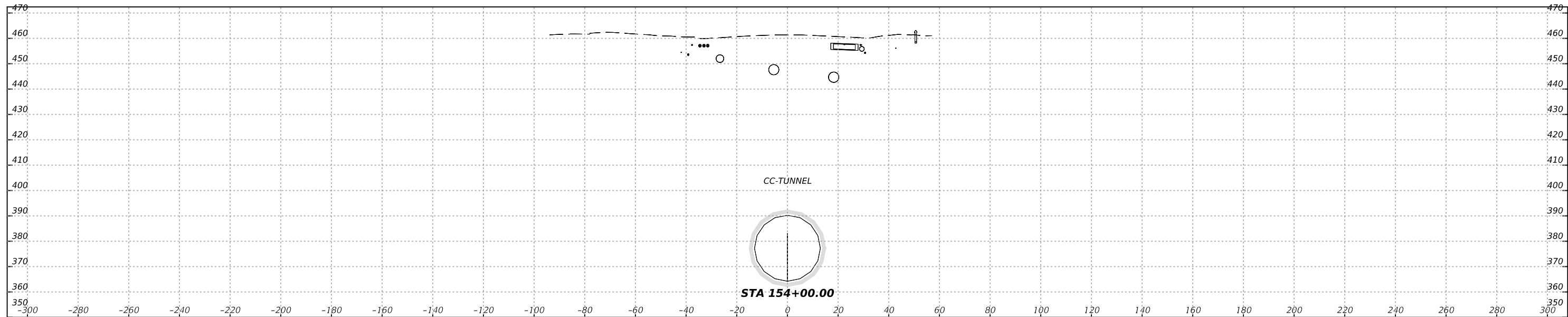
HDR Engineering, Inc.  
 Firm Registration No. F-754  
 710 Hester Crossing, Suite 150  
 Round Rock, Texas 78681



CAPITAL EXPRESS CENTRAL  
 Ç CESAR CHAVEZ TUNNEL  
 STA 153+50.00

SCALE: HORIZ: 1"=40'  
 VERT: 1"=40'

CONT	SECT	JOB	HIGHWAY
0015	13	433, ETC.	I-35
DIST		COUNTY	SHEET NO.
AUS		TRAVIS	829



NO.	DATE	REVISION	APPR BY



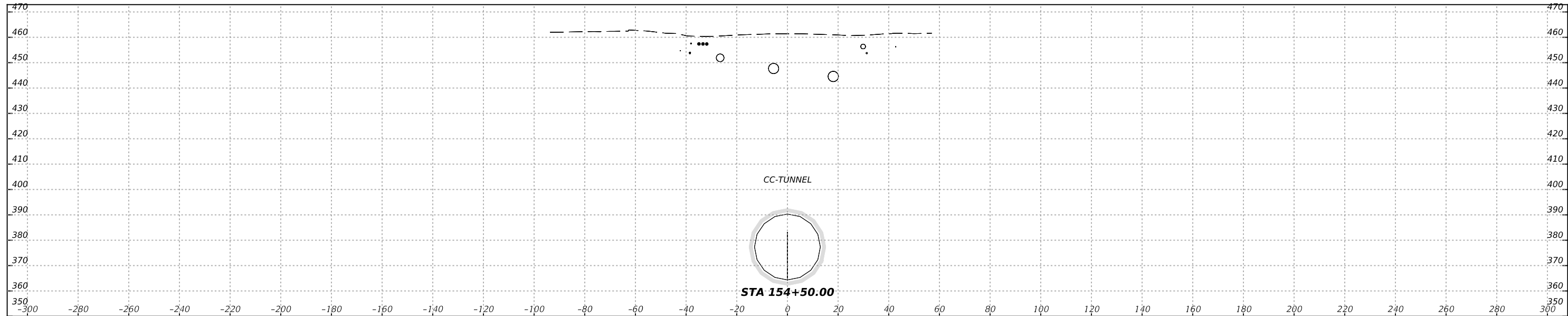
HDR Engineering, Inc.  
 Firm Registration No. F-754  
 710 Hester Crossing, Suite 150  
 Round Rock, Texas 78681



CAPITAL EXPRESS CENTRAL  
 Ç CESAR CHAVEZ TUNNEL  
 STA 154+00.00

SCALE: HORIZ: 1"=40'  
 VERT: 1"=40'

CONT	SECT	JOB	HIGHWAY
0015	13	433, ETC.	I-35
DIST COUNTY			SHEET NO.
AUS	TRAVIS		830



NO.	DATE	REVISION	APPR BY



HDR Engineering, Inc.  
 Firm Registration No. F-754  
 710 Hester Crossing, Suite 150  
 Round Rock, Texas 78681

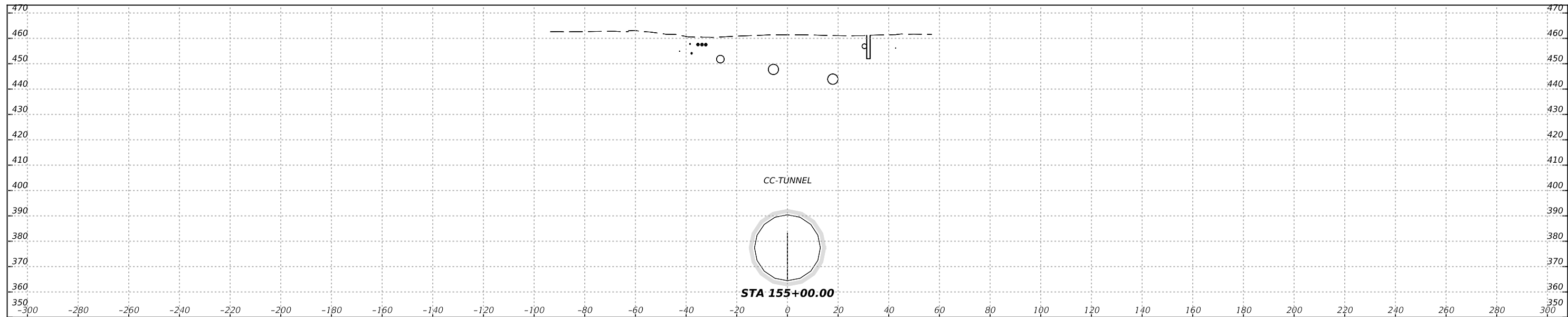


CAPITAL EXPRESS CENTRAL  
 Ç CESAR CHAVEZ TUNNEL  
 STA 154+50.00

SCALE: HORIZ: 1"=40'  
 VERT: 1"=40'

CONT	SECT	JOB	HIGHWAY
0015	13	433, ETC.	I-35
DIST COUNTY			SHEET NO.
AUS	TRAVIS		831





NO.	DATE	REVISION	APPR BY



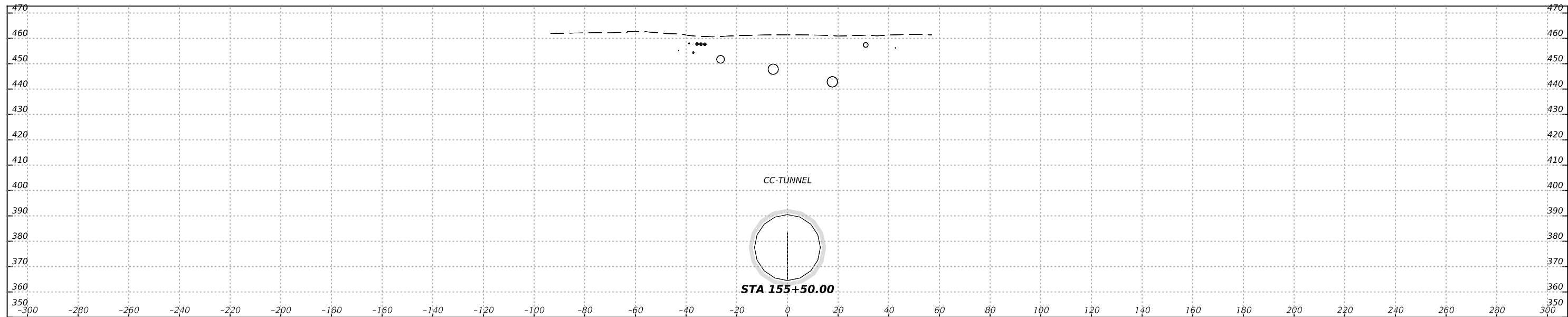
HDR Engineering, Inc.  
 Firm Registration No. F-754  
 710 Hester Crossing, Suite 150  
 Round Rock, Texas 78681



CAPITAL EXPRESS CENTRAL  
 Ç CESAR CHAVEZ TUNNEL  
 STA 155+00.00

SCALE: HORIZ: 1"=40'  
 VERT: 1"=40'

CONT	SECT	JOB	HIGHWAY
0015	13	433, ETC.	I-35
DIST COUNTY			SHEET NO.
AUS	TRAVIS	832	



NO.	DATE	REVISION	APPR BY



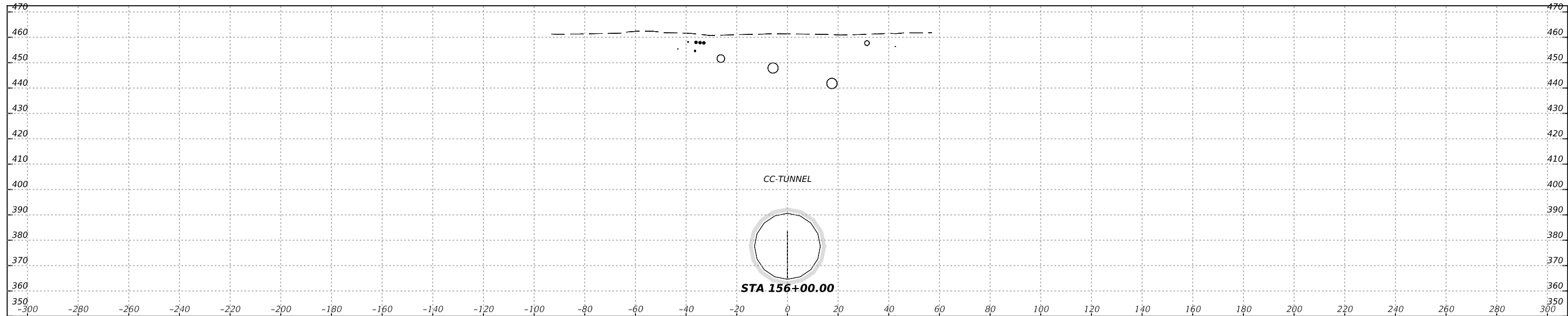
HDR Engineering, Inc.  
 Firm Registration No. F-754  
 710 Hester Crossing, Suite 150  
 Round Rock, Texas 78681



CAPITAL EXPRESS CENTRAL  
 Ç CESAR CHAVEZ TUNNEL  
 STA 155+50.00

SCALE: HORIZ: 1"=40'  
 VERT: 1"=40'

CONT	SECT	JOB	HIGHWAY
0015	13	433, ETC.	I-35
DIST COUNTY			SHEET NO.
AUS	TRAVIS		833



NO.	DATE	REVISION	APPR BY



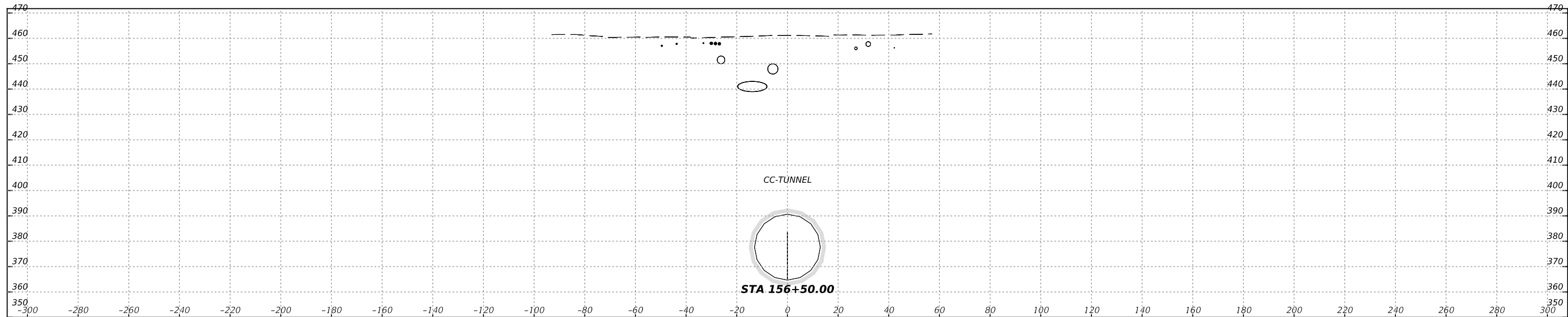
HDR Engineering, Inc.  
 Firm Registration No. F-754  
 710 Hester Crossing, Suite 150  
 Round Rock, Texas 78681



CAPITAL EXPRESS CENTRAL  
 Ç CESAR CHAVEZ TUNNEL  
 STA 156+00.00

SCALE: HORIZ: 1"=40'  
 VERT: 1"=40'

CONT	SECT	JOB	HIGHWAY
0015	13	433, ETC.	I-35
DIST	COUNTY		SHEET NO.
AUS	TRAVIS		834



NO.	DATE	REVISION	APPR BY



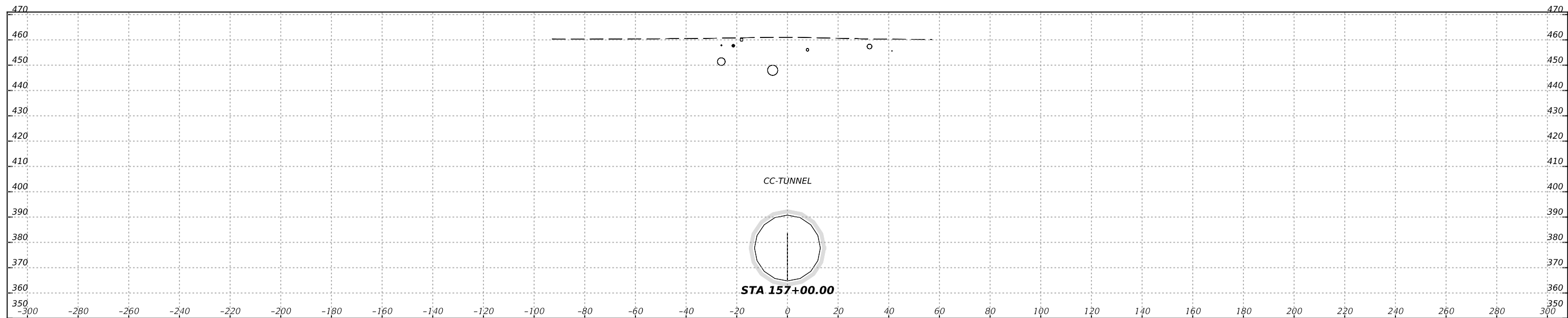
HDR Engineering, Inc.  
 Firm Registration No. F-754  
 710 Hester Crossing, Suite 150  
 Round Rock, Texas 78681



CAPITAL EXPRESS CENTRAL  
 Ç CESAR CHAVEZ TUNNEL  
 STA 156+50.00

SCALE: HORIZ: 1"=40'  
 VERT: 1"=40'

CONT	SECT	JOB	HIGHWAY
0015	13	433, ETC.	I-35
DIST	COUNTY		SHEET NO.
AUS	TRAVIS		835



NO.	DATE	REVISION	APPR BY



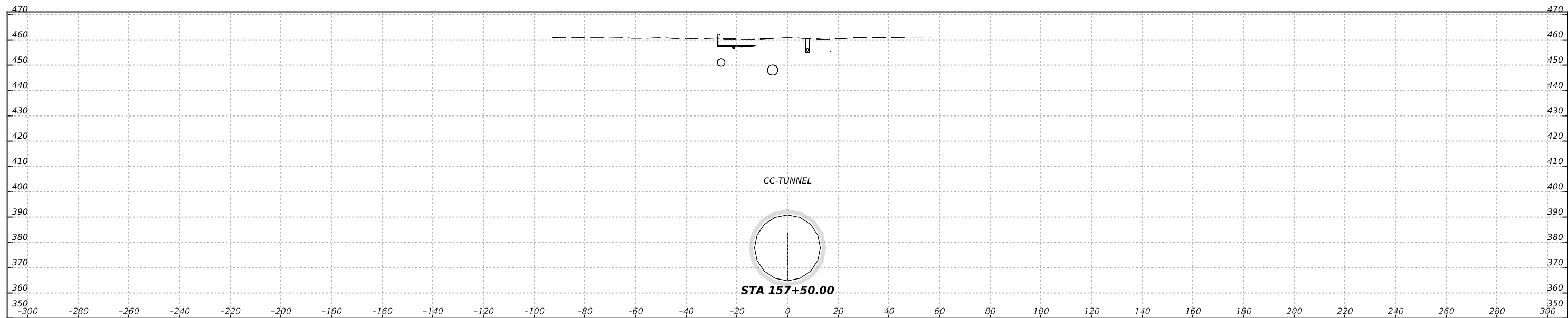
HDR Engineering, Inc.  
 Firm Registration No. F-754  
 710 Hester Crossing, Suite 150  
 Round Rock, Texas 78681



CAPITAL EXPRESS CENTRAL  
 Ç CESAR CHAVEZ TUNNEL  
 STA 157+00.00

SCALE: HORIZ: 1"=40'  
 VERT: 1"=40'

CONT	SECT	JOB	HIGHWAY
0015	13	433, ETC.	I-35
DIST	COUNTY		SHEET NO.
AUS	TRAVIS		836



NO.	DATE	REVISION	APPR BY



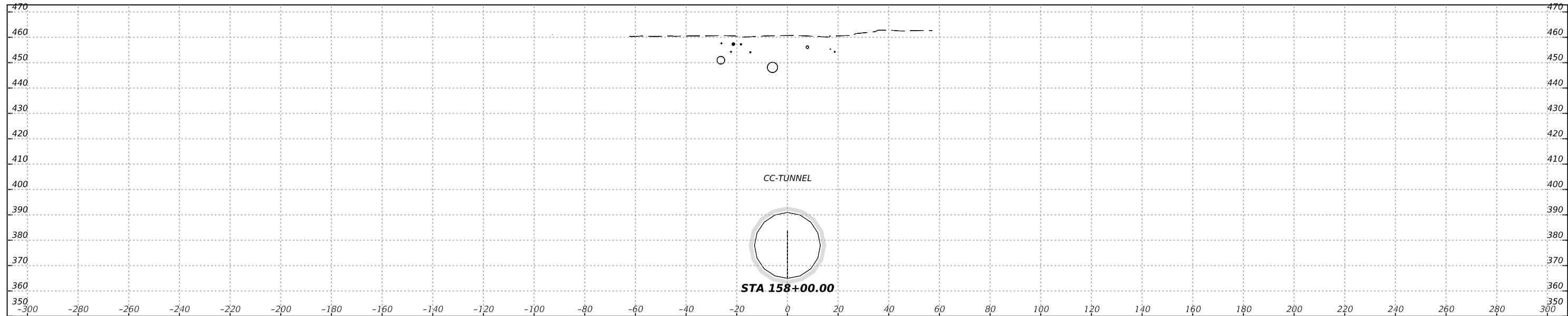
HDR Engineering, Inc.  
 Firm Registration No. F-754  
 710 Hester Crossing, Suite 150  
 Round Rock, Texas 78681



CAPITAL EXPRESS CENTRAL  
 Ç CESAR CHAVEZ TUNNEL  
 STA 157+50.00

SCALE: HORIZ: 1"=40'  
 VERT: 1"=40'

CONT	SECT	JOB	HIGHWAY
0015	13	433, ETC.	I-35
DIST	COUNTY		SHEET NO.
AUS	TRAVIS		837



NO.	DATE	REVISION	APPR BY



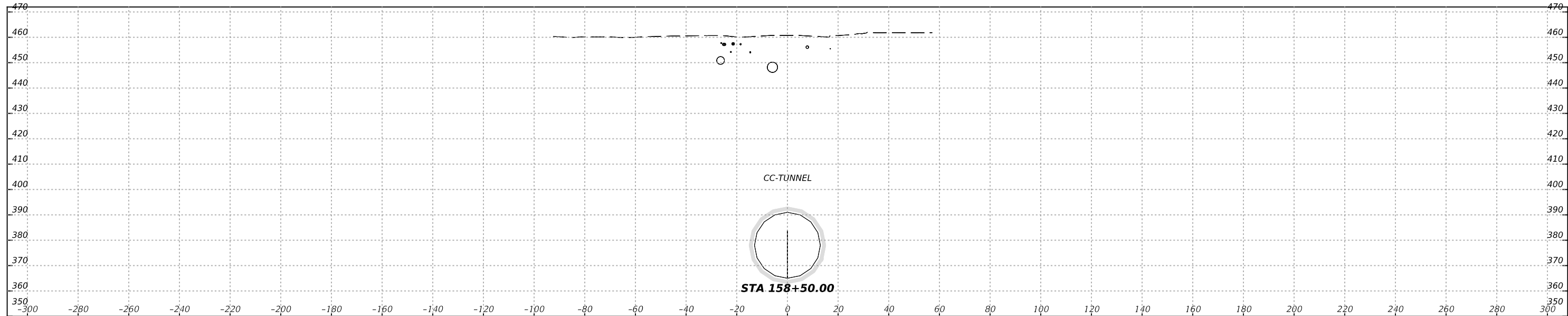
HDR Engineering, Inc.  
 Firm Registration No. F-754  
 710 Hester Crossing, Suite 150  
 Round Rock, Texas 78681



CAPITAL EXPRESS CENTRAL  
 Ç CESAR CHAVEZ TUNNEL  
 STA 158+00.00

SCALE: HORIZ: 1"=40'  
 VERT: 1"=40'

CONT	SECT	JOB	HIGHWAY
0015	13	433, ETC.	I-35
DIST	COUNTY		SHEET NO.
AUS	TRAVIS		838



NO.	DATE	REVISION	APPR BY



HDR Engineering, Inc.  
 Firm Registration No. F-754  
 710 Hester Crossing, Suite 150  
 Round Rock, Texas 78681

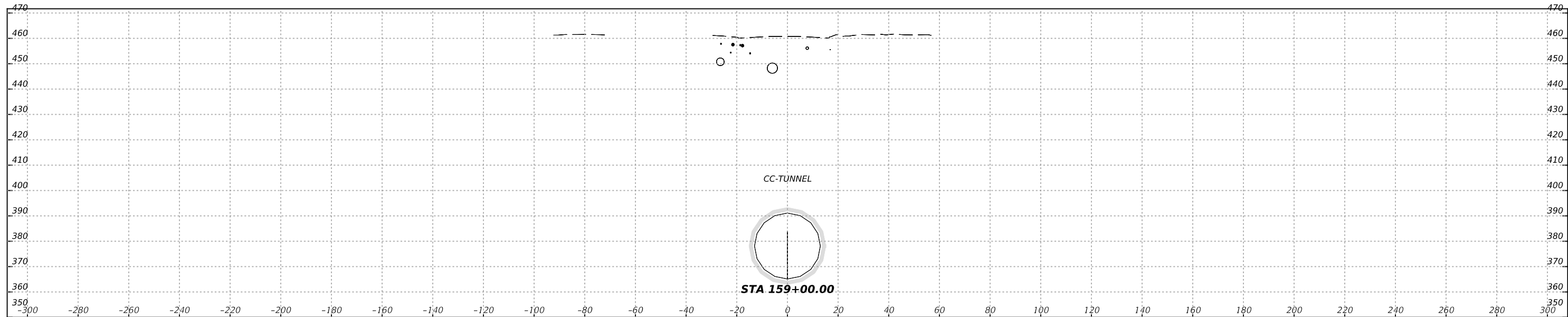


CAPITAL EXPRESS CENTRAL  
 Ç CESAR CHAVEZ TUNNEL  
 STA 158+50.00

SCALE: HORIZ: 1"=40'  
 VERT: 1"=40'

CONT	SECT	JOB	HIGHWAY
0015	13	433, ETC.	I-35
DIST COUNTY			SHEET NO.
AUS	TRAVIS	839	





NO.	DATE	REVISION	APPR BY



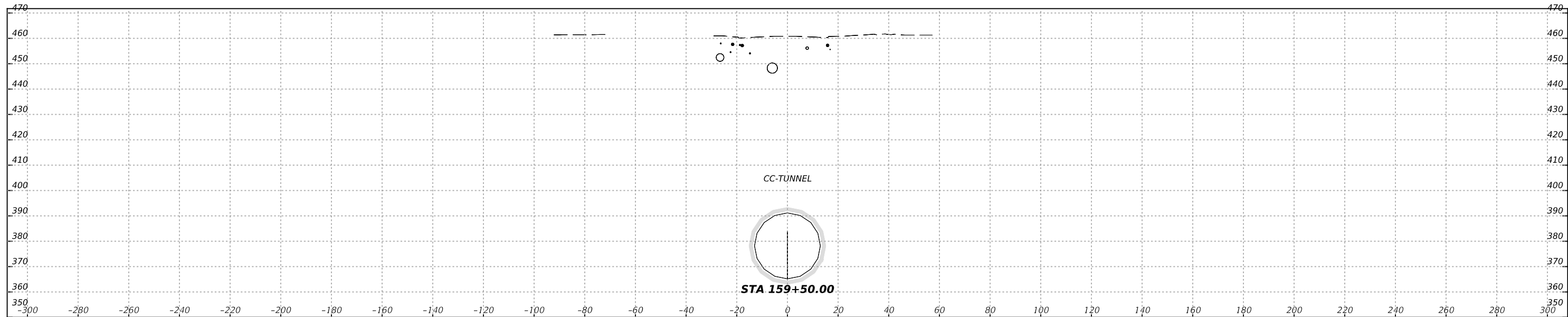
HDR Engineering, Inc.  
 Firm Registration No. F-754  
 710 Hester Crossing, Suite 150  
 Round Rock, Texas 78681



CAPITAL EXPRESS CENTRAL  
 Ç CESAR CHAVEZ TUNNEL  
 STA 159+00.00

SCALE: HORIZ: 1"=40'  
 VERT: 1"=40'

CONT	SECT	JOB	HIGHWAY
0015	13	433, ETC.	I-35
DIST	COUNTY		SHEET NO.
AUS	TRAVIS		840



NO.	DATE	REVISION	APPR BY



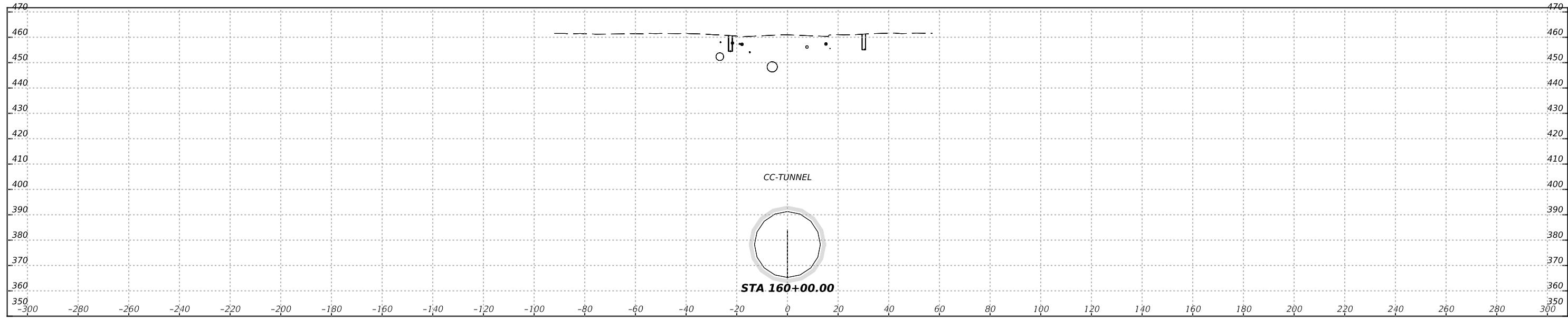
HDR Engineering, Inc.  
 Firm Registration No. F-754  
 710 Hester Crossing, Suite 150  
 Round Rock, Texas 78681



CAPITAL EXPRESS CENTRAL  
 Ç CESAR CHAVEZ TUNNEL  
 STA 159+50.00

SCALE: HORIZ: 1"=40'  
 VERT: 1"=40'

CONT	SECT	JOB	HIGHWAY
0015	13	433, ETC.	I-35
DIST COUNTY			SHEET NO.
AUS	TRAVIS		841



NO.	DATE	REVISION	APPR BY



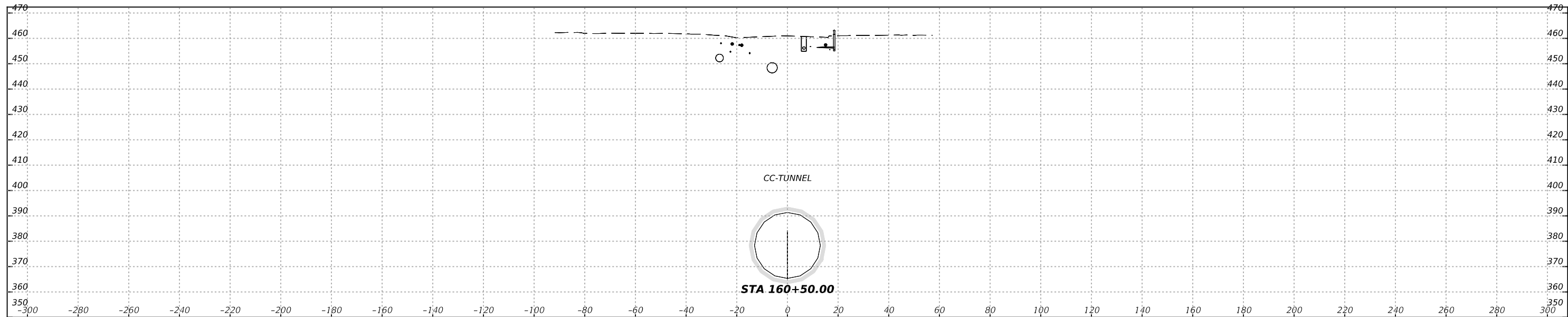
HDR Engineering, Inc.  
Firm Registration No. F-754  
710 Hester Crossing, Suite 150  
Round Rock, Texas 78681



**CAPITAL EXPRESS CENTRAL**  
**Ç CESAR CHAVEZ TUNNEL**  
**STA 160+00.00**

SCALE: HORIZ: 1"=40'  
VERT: 1"=40'

CONT	SECT	JOB	HIGHWAY
0015	13	433, ETC.	I-35
DIST COUNTY			SHEET NO.
AUS	TRAVIS		842



NO.	DATE	REVISION	APPR BY



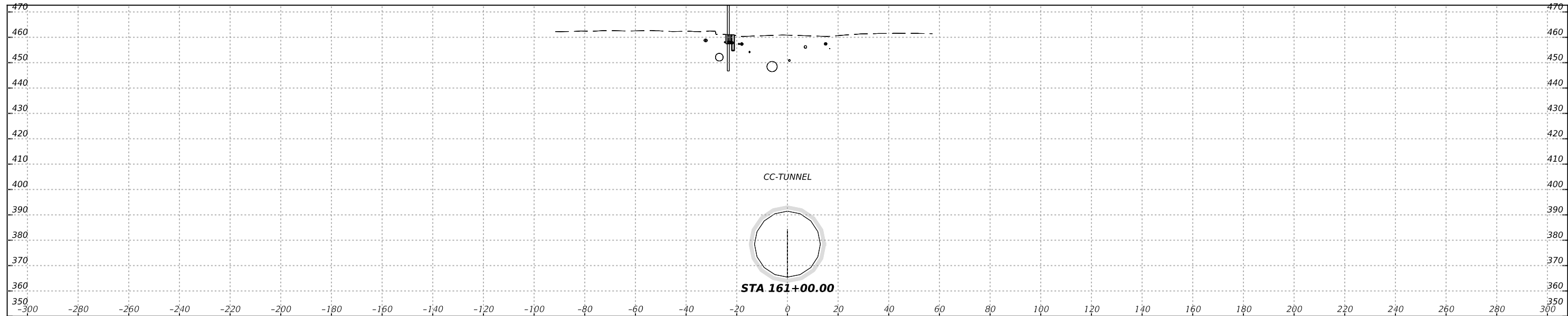
HDR Engineering, Inc.  
 Firm Registration No. F-754  
 710 Hester Crossing, Suite 150  
 Round Rock, Texas 78681



CAPITAL EXPRESS CENTRAL  
 Ç CESAR CHAVEZ TUNNEL  
 STA 160+50.00

SCALE: HORIZ: 1"=40'  
 VERT: 1"=40'

CONT	SECT	JOB	HIGHWAY
0015	13	433, ETC.	I-35
DIST COUNTY			SHEET NO.
AUS	TRAVIS		843



NO.	DATE	REVISION	APPR BY



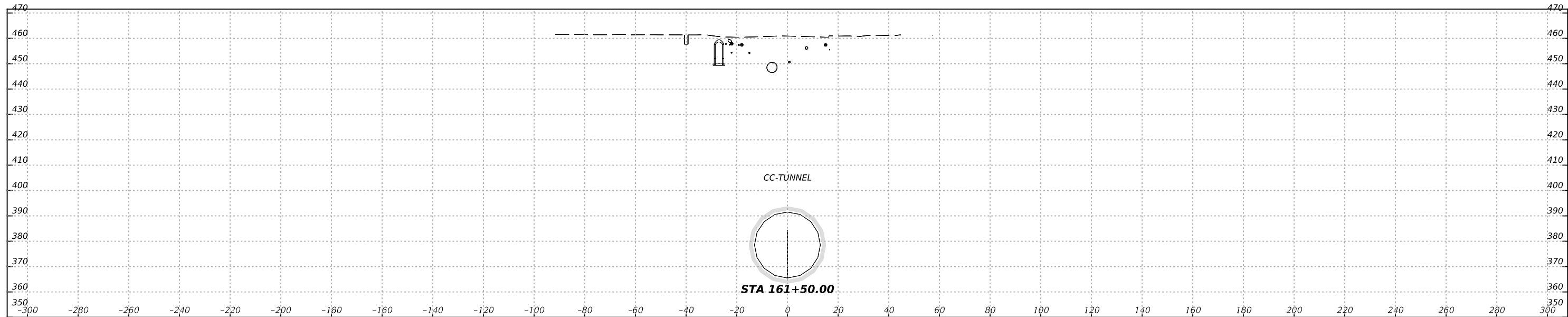
HDR Engineering, Inc.  
 Firm Registration No. F-754  
 710 Hester Crossing, Suite 150  
 Round Rock, Texas 78681



CAPITAL EXPRESS CENTRAL  
 Ç CESAR CHAVEZ TUNNEL  
 STA 161+00.00

SCALE: HORIZ: 1"=40'  
 VERT: 1"=40'

CONT	SECT	JOB	HIGHWAY
0015	13	433, ETC.	I-35
DIST COUNTY			SHEET NO.
AUS	TRAVIS		844



NO.	DATE	REVISION	APPR BY



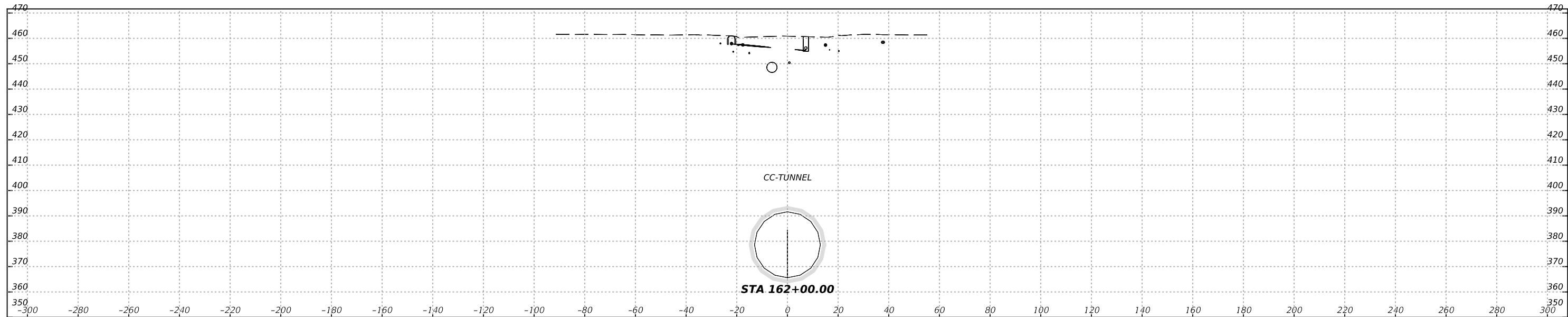
HDR Engineering, Inc.  
 Firm Registration No. F-754  
 710 Hester Crossing, Suite 150  
 Round Rock, Texas 78681



CAPITAL EXPRESS CENTRAL  
 Ç CESAR CHAVEZ TUNNEL  
 STA 161+50.00

SCALE: HORIZ: 1"=40'  
 VERT: 1"=40'

CONT	SECT	JOB	HIGHWAY
0015	13	433, ETC.	I-35
DIST	COUNTY		SHEET NO.
AUS	TRAVIS		845



NO.	DATE	REVISION	APPR BY



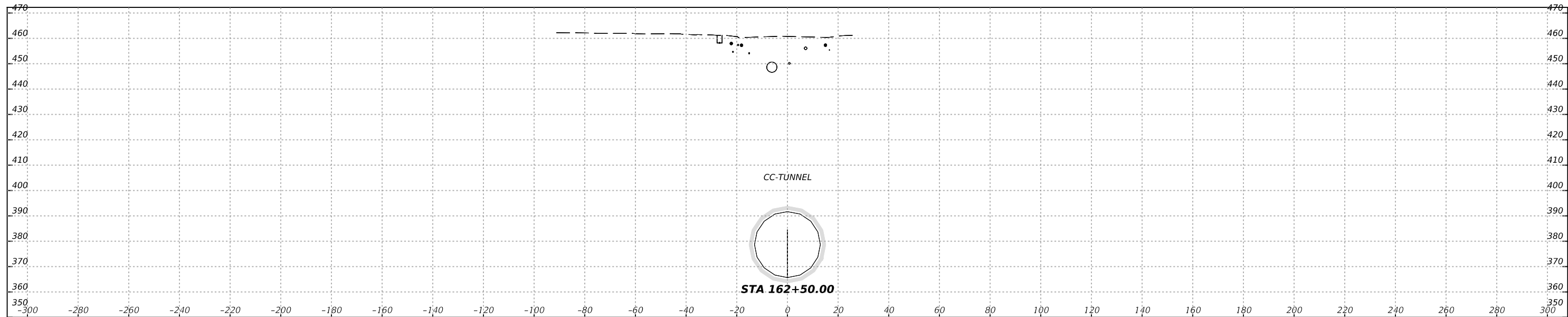
HDR Engineering, Inc.  
 Firm Registration No. F-754  
 710 Hester Crossing, Suite 150  
 Round Rock, Texas 78681



CAPITAL EXPRESS CENTRAL  
 Ç CESAR CHAVEZ TUNNEL  
 STA 162+00.00

SCALE: HORIZ: 1"=40'  
 VERT: 1"=40'

CONT	SECT	JOB	HIGHWAY
0015	13	433, ETC.	I-35
DIST COUNTY			SHEET NO.
AUS	TRAVIS		846



NO.	DATE	REVISION	APPR BY



HDR Engineering, Inc.  
 Firm Registration No. F-754  
 710 Hester Crossing, Suite 150  
 Round Rock, Texas 78681

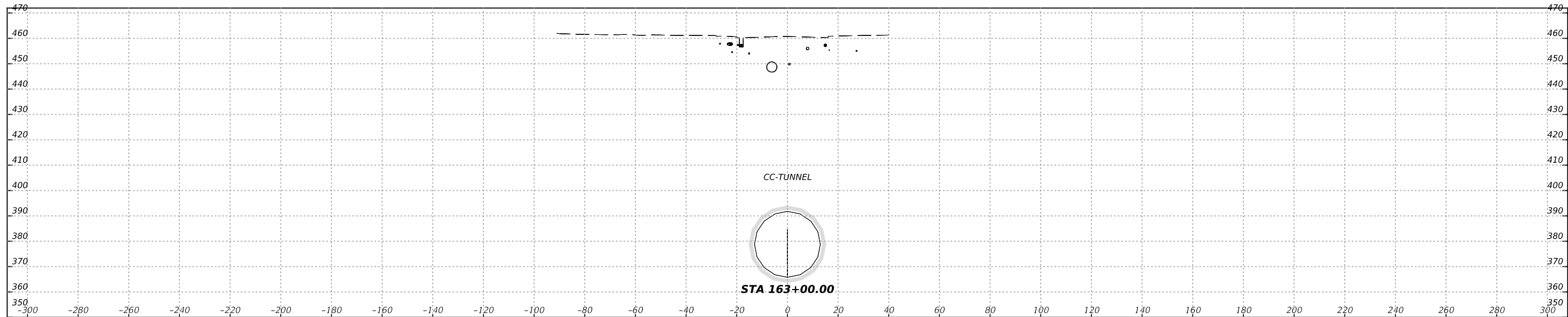


CAPITAL EXPRESS CENTRAL  
 Ç CESAR CHAVEZ TUNNEL  
 STA 162+50.00

SCALE: HORIZ: 1"=40'  
 VERT: 1"=40'

CONT	SECT	JOB	HIGHWAY
0015	13	433, ETC.	I-35
DIST COUNTY			SHEET NO.
AUS	TRAVIS		847





NO.	DATE	REVISION	APPR BY



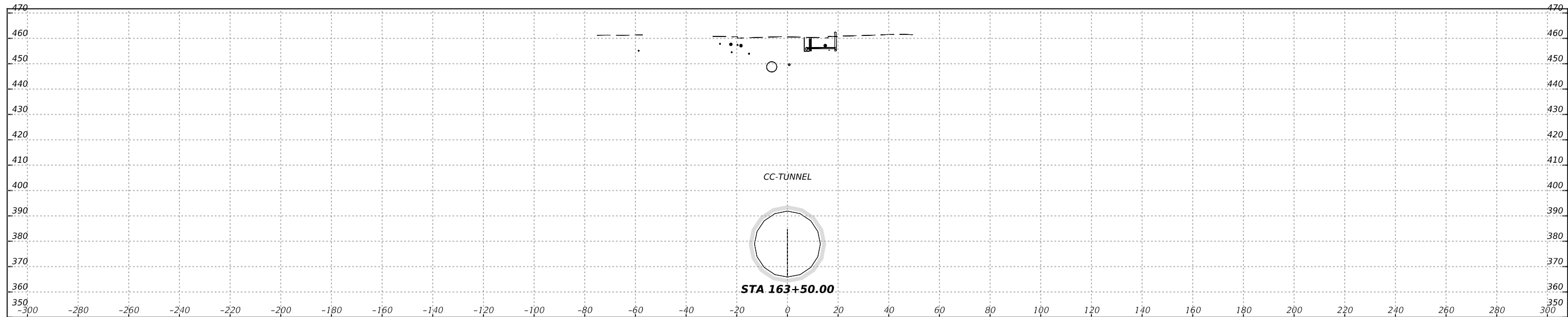
HDR Engineering, Inc.  
 Firm Registration No. F-754  
 710 Hester Crossing, Suite 150  
 Round Rock, Texas 78681



CAPITAL EXPRESS CENTRAL  
 Ç CESAR CHAVEZ TUNNEL  
 STA 163+00.00

SCALE: HORIZ: 1"=40'  
 VERT: 1"=40'

CONT	SECT	JOB	HIGHWAY
0015	13	433, ETC.	I-35
DIST COUNTY			SHEET NO.
AUS	TRAVIS		848



NO.	DATE	REVISION	APPR BY



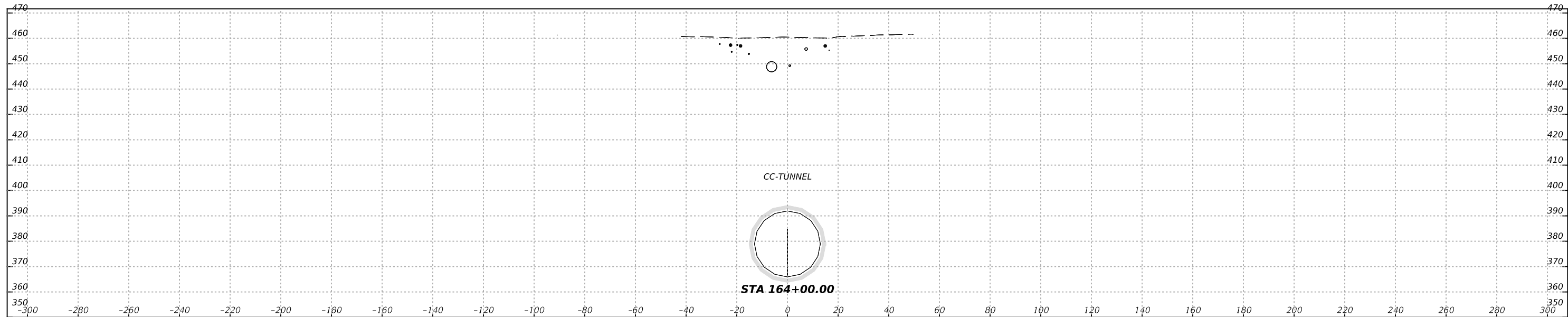
HDR Engineering, Inc.  
 Firm Registration No. F-754  
 710 Hester Crossing, Suite 150  
 Round Rock, Texas 78681



CAPITAL EXPRESS CENTRAL  
 Ç CESAR CHAVEZ TUNNEL  
 STA 163+50.00

SCALE: HORIZ: 1"=40'  
 VERT: 1"=40'

CONT	SECT	JOB	HIGHWAY
0015	13	433, ETC.	I-35
DIST			COUNTY
AUS			TRAVIS
SHEET NO.			849



NO.	DATE	REVISION	APPR BY



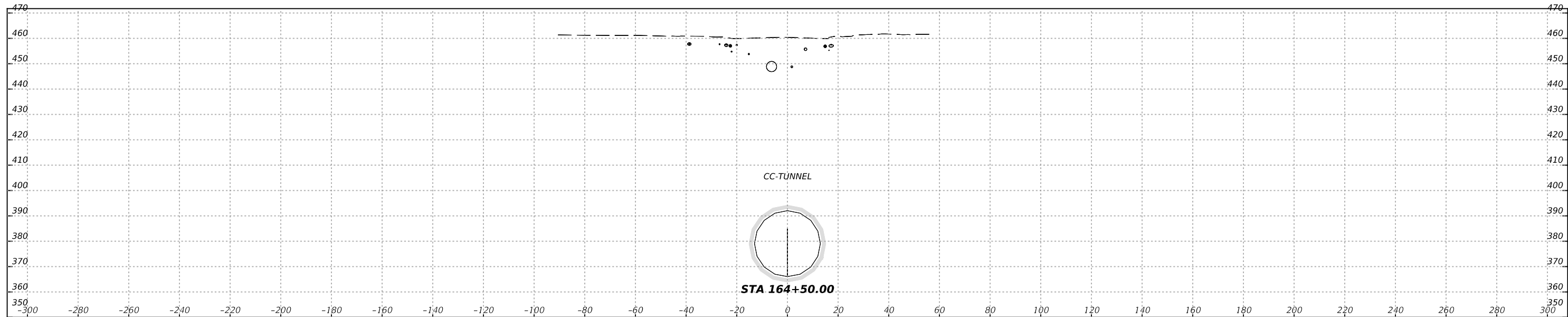
HDR Engineering, Inc.  
 Firm Registration No. F-754  
 710 Hester Crossing, Suite 150  
 Round Rock, Texas 78681



CAPITAL EXPRESS CENTRAL  
 Ç CESAR CHAVEZ TUNNEL  
 STA 164+00.00

SCALE: HORIZ: 1"=40'  
 VERT: 1"=40'

CONT	SECT	JOB	HIGHWAY
0015	13	433, ETC.	I-35
DIST COUNTY			SHEET NO.
AUS	TRAVIS		850



NO.	DATE	REVISION	APPR BY



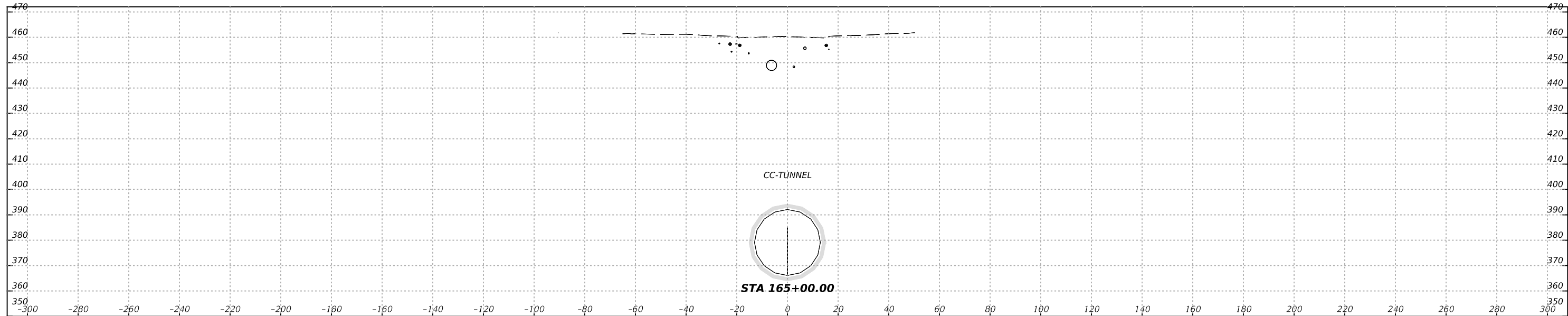
HDR Engineering, Inc.  
 Firm Registration No. F-754  
 710 Hester Crossing, Suite 150  
 Round Rock, Texas 78681



CAPITAL EXPRESS CENTRAL  
 Ç CESAR CHAVEZ TUNNEL  
 STA 164+50.00

SCALE: HORIZ: 1"=40'  
 VERT: 1"=40'

CONT	SECT	JOB	HIGHWAY
0015	13	433, ETC.	I-35
DIST	COUNTY		SHEET NO.
AUS	TRAVIS		851



NO.	DATE	REVISION	APPR BY



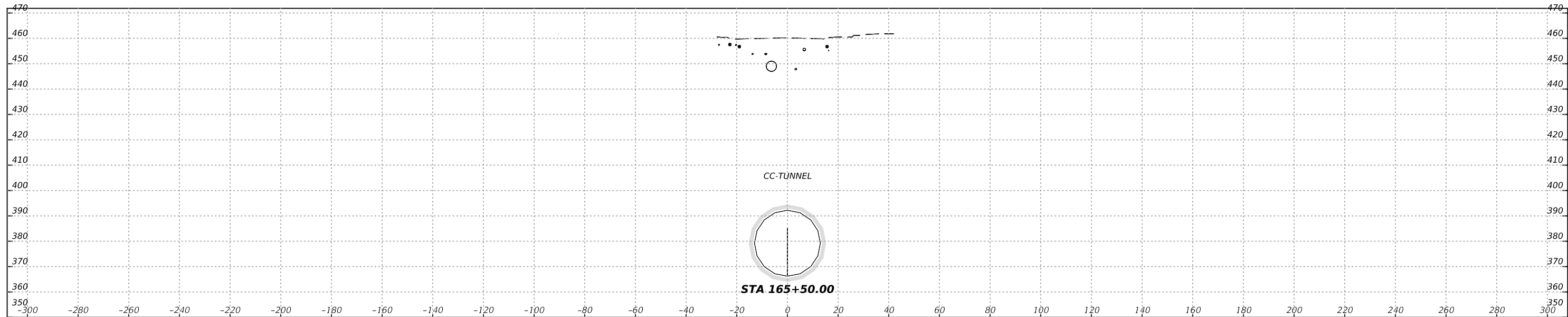
HDR Engineering, Inc.  
 Firm Registration No. F-754  
 710 Hester Crossing, Suite 150  
 Round Rock, Texas 78681



CAPITAL EXPRESS CENTRAL  
 Ç CESAR CHAVEZ TUNNEL  
 STA 165+00.00

SCALE: HORIZ: 1"=40'  
 VERT: 1"=40'

CONT	SECT	JOB	HIGHWAY
0015	13	433, ETC.	I-35
DIST	COUNTY		SHEET NO.
AUS	TRAVIS		852



NO.	DATE	REVISION	APPR BY



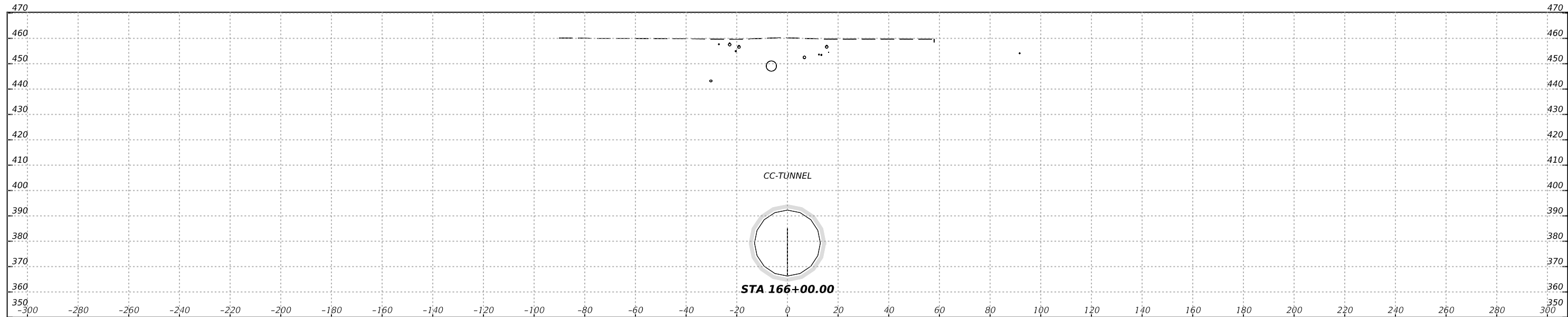
HDR Engineering, Inc.  
 Firm Registration No. F-754  
 710 Hester Crossing, Suite 150  
 Round Rock, Texas 78681



CAPITAL EXPRESS CENTRAL  
 Ç CESAR CHAVEZ TUNNEL  
 STA 165+50.00

SCALE: HORIZ: 1"=40'  
 VERT: 1"=40'

CONT	SECT	JOB	HIGHWAY
0015	13	433, ETC.	I-35
DIST	COUNTY		SHEET NO.
AUS	TRAVIS		853



NO.	DATE	REVISION	APPR BY



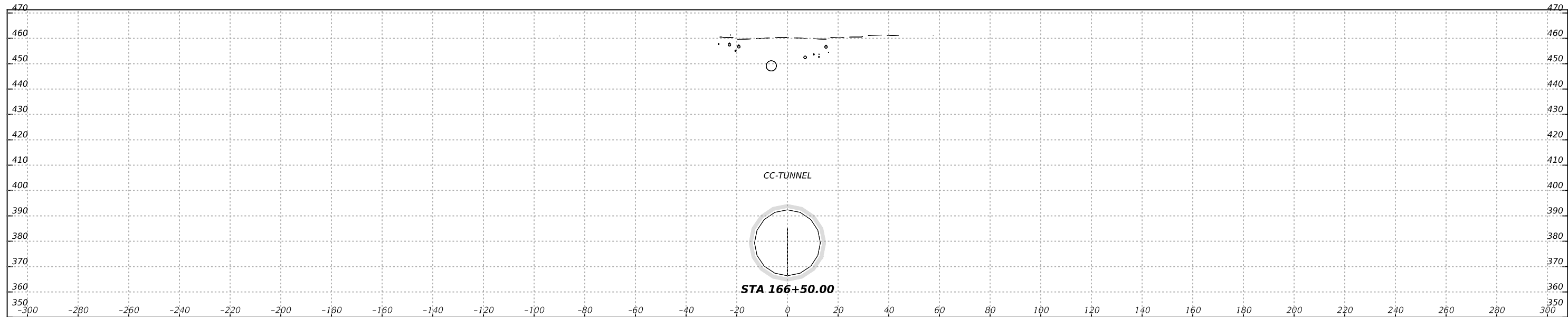
HDR Engineering, Inc.  
 Firm Registration No. F-754  
 710 Hester Crossing, Suite 150  
 Round Rock, Texas 78681



CAPITAL EXPRESS CENTRAL  
 Ç CESAR CHAVEZ TUNNEL  
 STA 166+00.00

SCALE: HORIZ: 1"=40'  
 VERT: 1"=40'

CONT	SECT	JOB	HIGHWAY
0015	13	433, ETC.	I-35
DIST COUNTY			SHEET NO.
AUS	TRAVIS		854



NO.	DATE	REVISION	APPR BY



HDR Engineering, Inc.  
 Firm Registration No. F-754  
 710 Hester Crossing, Suite 150  
 Round Rock, Texas 78681

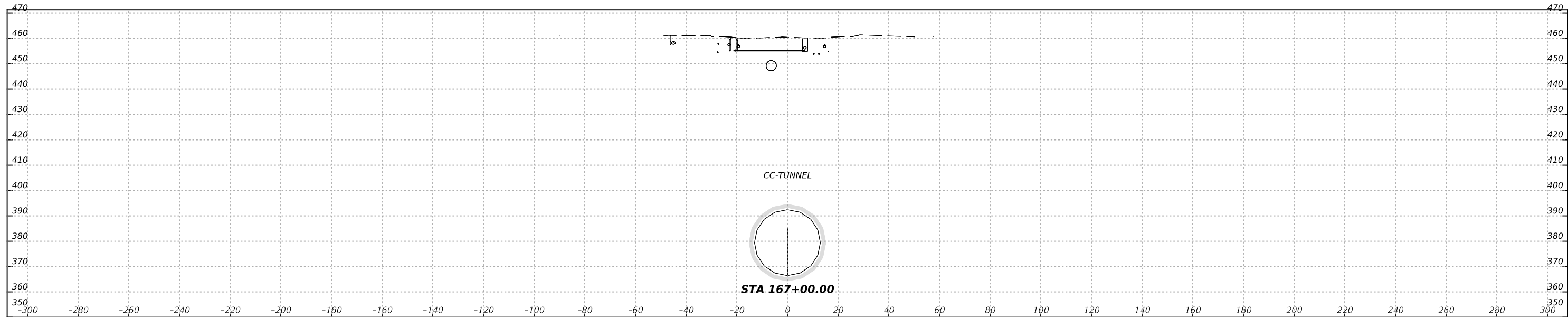


CAPITAL EXPRESS CENTRAL  
 Ç CESAR CHAVEZ TUNNEL  
 STA 166+50.00

SCALE: HORIZ: 1"=40'  
 VERT: 1"=40'

CONT	SECT	JOB	HIGHWAY
0015	13	433, ETC.	I-35
DIST COUNTY			SHEET NO.
AUS	TRAVIS		855





NO.	DATE	REVISION	APPR BY



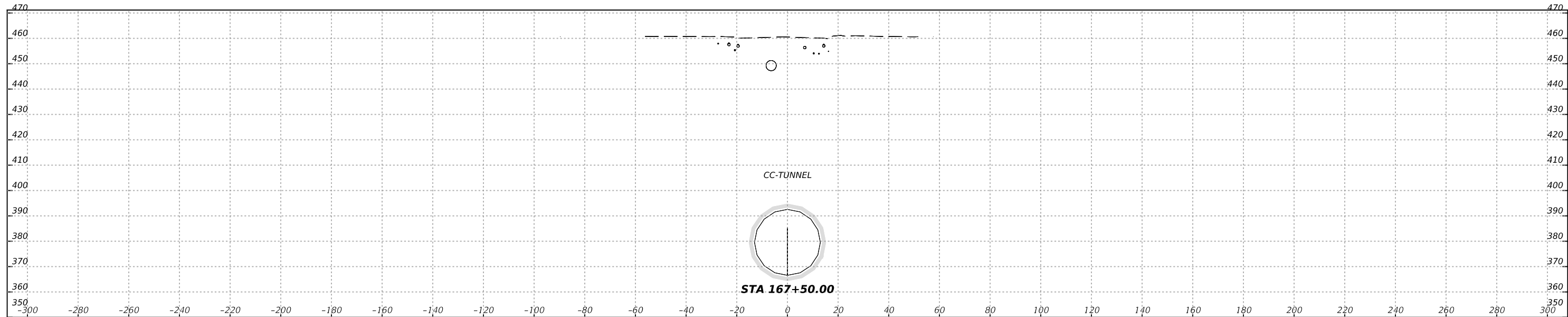
HDR Engineering, Inc.  
 Firm Registration No. F-754  
 710 Hester Crossing, Suite 150  
 Round Rock, Texas 78681



CAPITAL EXPRESS CENTRAL  
 Ç CESAR CHAVEZ TUNNEL  
 STA 167+00.00

SCALE: HORIZ: 1"=40'  
 VERT: 1"=40'

CONT	SECT	JOB	HIGHWAY
0015	13	433, ETC.	I-35
DIST		COUNTY	SHEET NO.
AUS		TRAVIS	856



NO.	DATE	REVISION	APPR BY



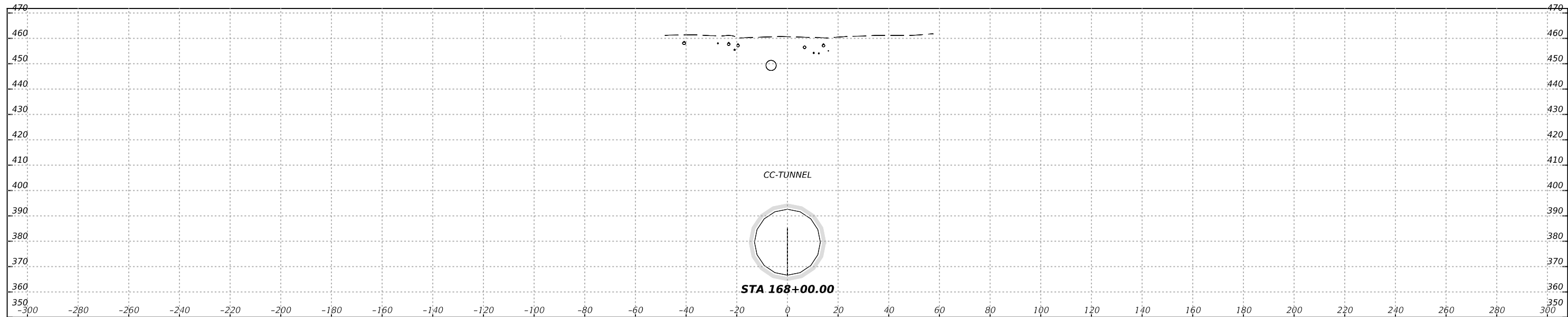
HDR Engineering, Inc.  
 Firm Registration No. F-754  
 710 Hester Crossing, Suite 150  
 Round Rock, Texas 78681



CAPITAL EXPRESS CENTRAL  
 Ç CESAR CHAVEZ TUNNEL  
 STA 167+50.00

SCALE: HORIZ: 1"=40'  
 VERT: 1"=40'

CONT	SECT	JOB	HIGHWAY
0015	13	433, ETC.	I-35
DIST	COUNTY		SHEET NO.
AUS	TRAVIS		857



NO.	DATE	REVISION	APPR BY



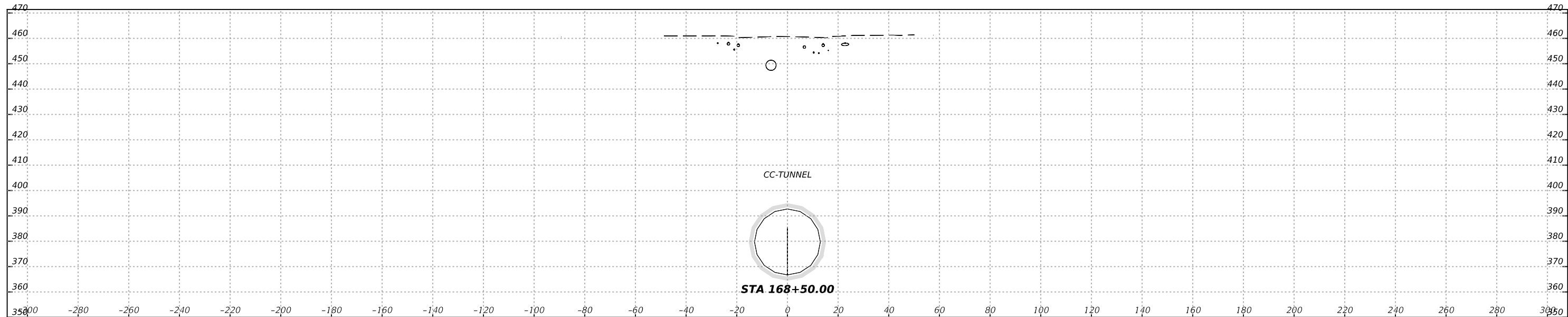
HDR Engineering, Inc.  
 Firm Registration No. F-754  
 710 Hester Crossing, Suite 150  
 Round Rock, Texas 78681



CAPITAL EXPRESS CENTRAL  
 Ç CESAR CHAVEZ TUNNEL  
 STA 168+00.00

SCALE: HORIZ: 1"=40'  
 VERT: 1"=40'

CONT	SECT	JOB	HIGHWAY
0015	13	433, ETC.	I-35
DIST		COUNTY	SHEET NO.
AUS		TRAVIS	858



NO.	DATE	REVISION	APPR BY



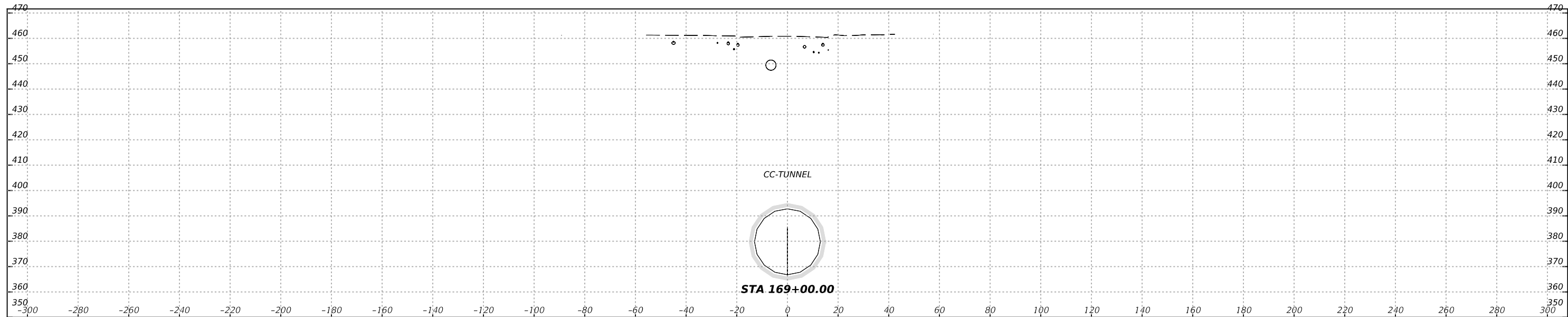
HDR Engineering, Inc.  
 Firm Registration No. F-754  
 710 Hester Crossing, Suite 150  
 Round Rock, Texas 78681



CAPITAL EXPRESS CENTRAL  
 Ç CESAR CHAVEZ TUNNEL  
 STA 168+50.00

SCALE: HORIZ: 1"=40'  
 VERT: 1"=40'

CONT	SECT	JOB	HIGHWAY
0015	13	433, ETC.	I-35
DIST COUNTY			SHEET NO.
AUS	TRAVIS		859



NO.	DATE	REVISION	APPR BY



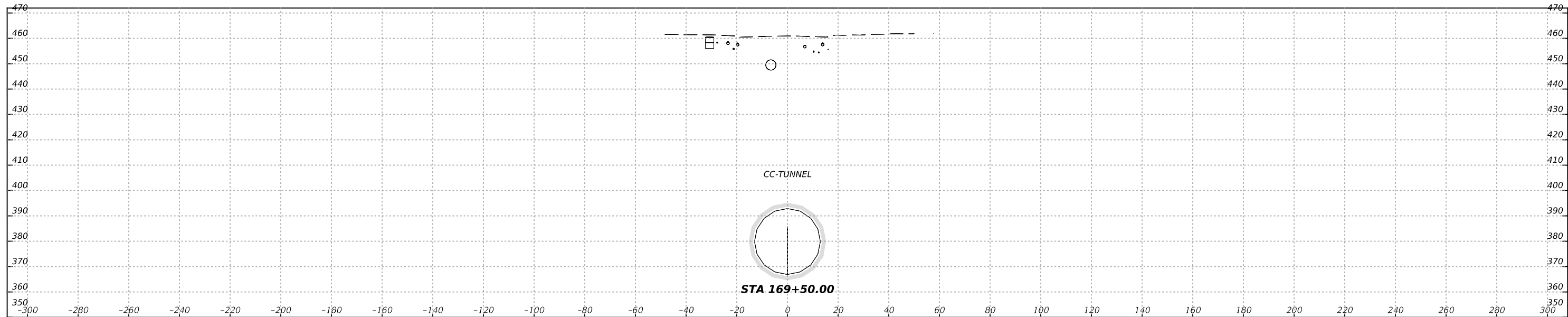
HDR Engineering, Inc.  
 Firm Registration No. F-754  
 710 Hester Crossing, Suite 150  
 Round Rock, Texas 78681



CAPITAL EXPRESS CENTRAL  
 Ç CESAR CHAVEZ TUNNEL  
 STA 169+00.00

SCALE: HORIZ: 1"=40'  
 VERT: 1"=40'

CONT	SECT	JOB	HIGHWAY
0015	13	433, ETC.	I-35
DIST COUNTY			SHEET NO.
AUS	TRAVIS		860



NO.	DATE	REVISION	APPR BY



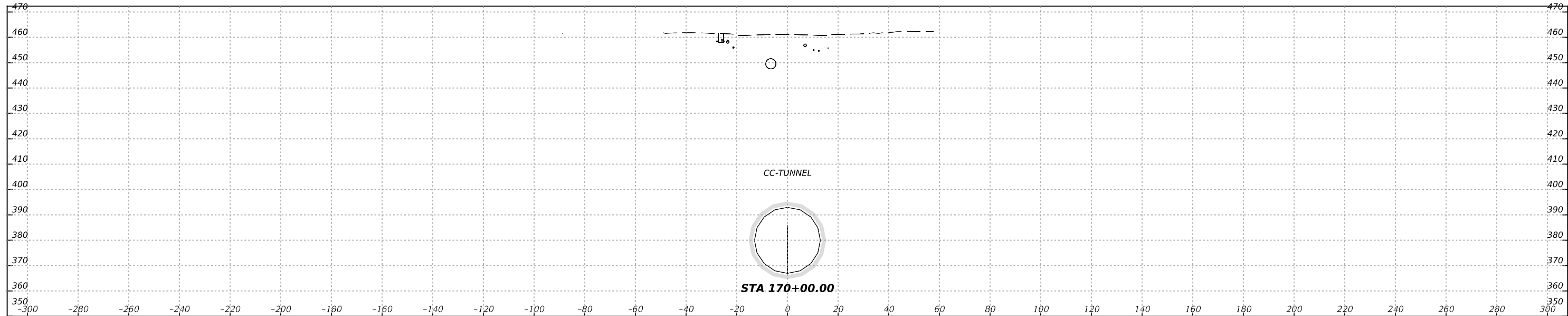
HDR Engineering, Inc.  
 Firm Registration No. F-754  
 710 Hester Crossing, Suite 150  
 Round Rock, Texas 78681



CAPITAL EXPRESS CENTRAL  
 Ç CESAR CHAVEZ TUNNEL  
 STA 169+50.00

SCALE: HORIZ: 1"=40'  
 VERT: 1"=40'

CONT	SECT	JOB	HIGHWAY
0015	13	433, ETC.	I-35
DIST			COUNTY
AUS			TRAVIS
SHEET NO.			861



NO.	DATE	REVISION	APPR BY



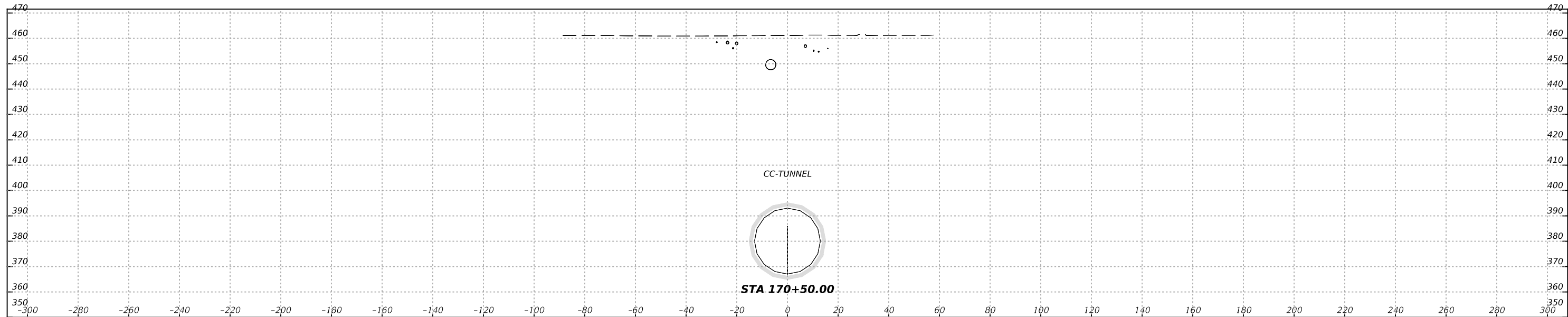
HDR Engineering, Inc.  
 Firm Registration No. F-754  
 710 Hester Crossing, Suite 150  
 Round Rock, Texas 78681



CAPITAL EXPRESS CENTRAL  
 Ç CESAR CHAVEZ TUNNEL  
 STA 170+00.00

SCALE: HORIZ: 1"=40'  
 VERT: 1"=40'

CONT	SECT	JOB	HIGHWAY
0015	13	433, ETC.	I-35
DIST	COUNTY		SHEET NO.
AUS	TRAVIS		862



NO.	DATE	REVISION	APPR BY



HDR Engineering, Inc.  
 Firm Registration No. F-754  
 710 Hester Crossing, Suite 150  
 Round Rock, Texas 78681

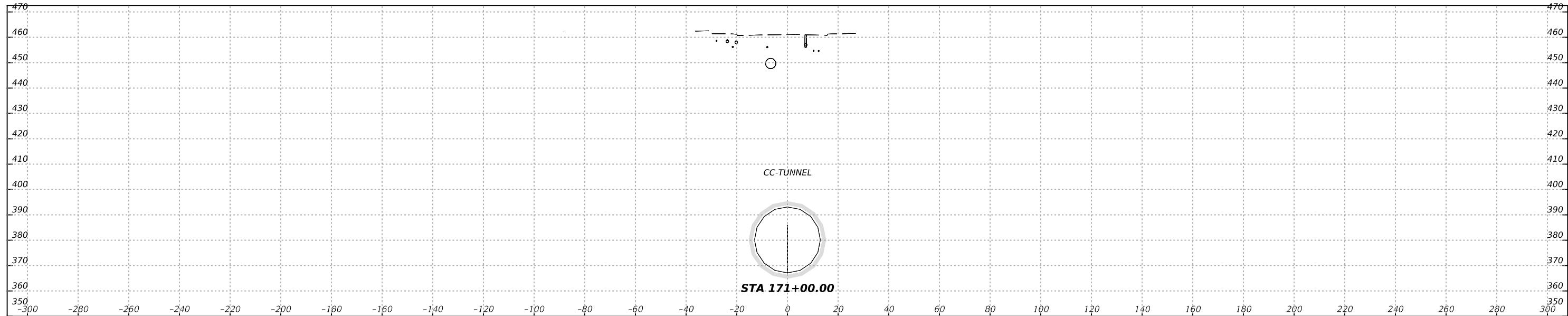


CAPITAL EXPRESS CENTRAL  
 Ç CESAR CHAVEZ TUNNEL  
 STA 170+50.00

SCALE: HORIZ: 1"=40'  
 VERT: 1"=40'

CONT	SECT	JOB	HIGHWAY
0015	13	433, ETC.	I-35
DIST		COUNTY	SHEET NO.
AUS		TRAVIS	863





NO.	DATE	REVISION	APPR BY



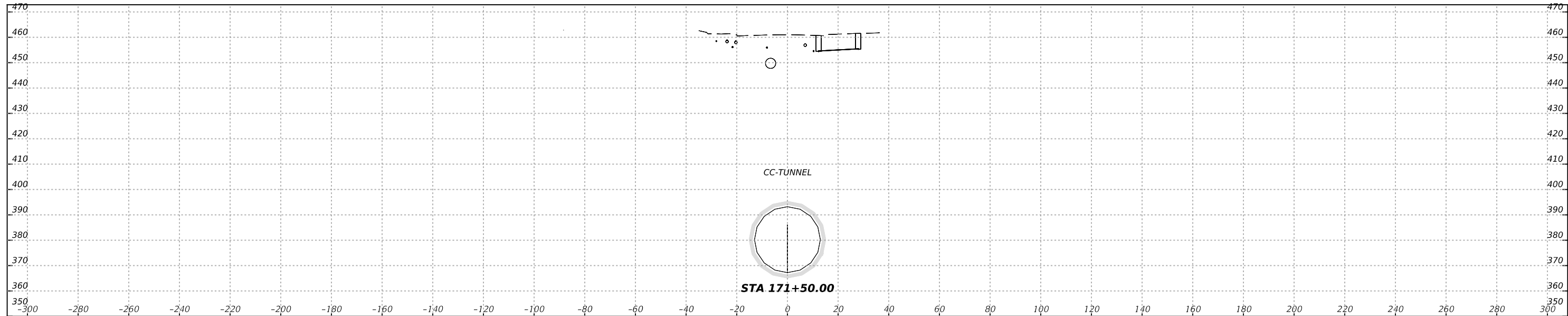
HDR Engineering, Inc.  
 Firm Registration No. F-754  
 710 Hester Crossing, Suite 150  
 Round Rock, Texas 78681



CAPITAL EXPRESS CENTRAL  
 Ç CESAR CHAVEZ TUNNEL  
 STA 171+00.00

SCALE: HORIZ: 1"=40'  
 VERT: 1"=40'

CONT	SECT	JOB	HIGHWAY
0015	13	433, ETC.	I-35
DIST COUNTY			SHEET NO.
AUS	TRAVIS		864



NO.	DATE	REVISION	APPR BY



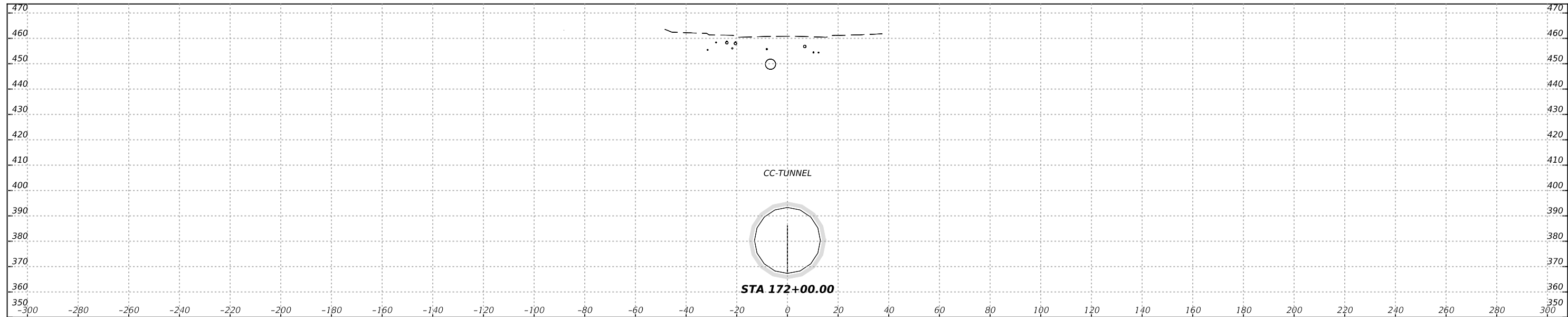
HDR Engineering, Inc.  
Firm Registration No. F-754  
710 Hester Crossing, Suite 150  
Round Rock, Texas 78681



**CAPITAL EXPRESS CENTRAL**  
**Ç CESAR CHAVEZ TUNNEL**  
**STA 171+50.00**

SCALE: HORIZ: 1"=40'  
VERT: 1"=40'

CONT	SECT	JOB	HIGHWAY
0015	13	433, ETC.	I-35
DIST	COUNTY		SHEET NO.
AUS	TRAVIS		865



CC-TUNNEL

STA 172+00.00

NO.	DATE	REVISION	APPR BY



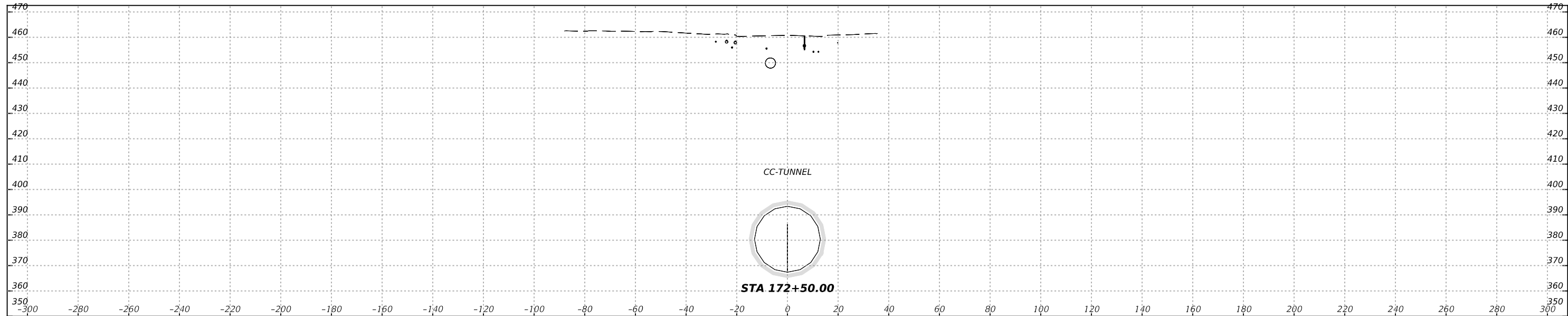
HDR Engineering, Inc.  
Firm Registration No. F-754  
710 Hester Crossing, Suite 150  
Round Rock, Texas 78681



CAPITAL EXPRESS CENTRAL  
CESAR CHAVEZ TUNNEL  
STA 172+00.00

SCALE: HORIZ: 1"=40'  
VERT: 1"=40'

CONT	SECT	JOB	HIGHWAY
0015	13	433, ETC.	I-35
DIST	COUNTY		SHEET NO.
AUS	TRAVIS		866



NO.	DATE	REVISION	APPR BY



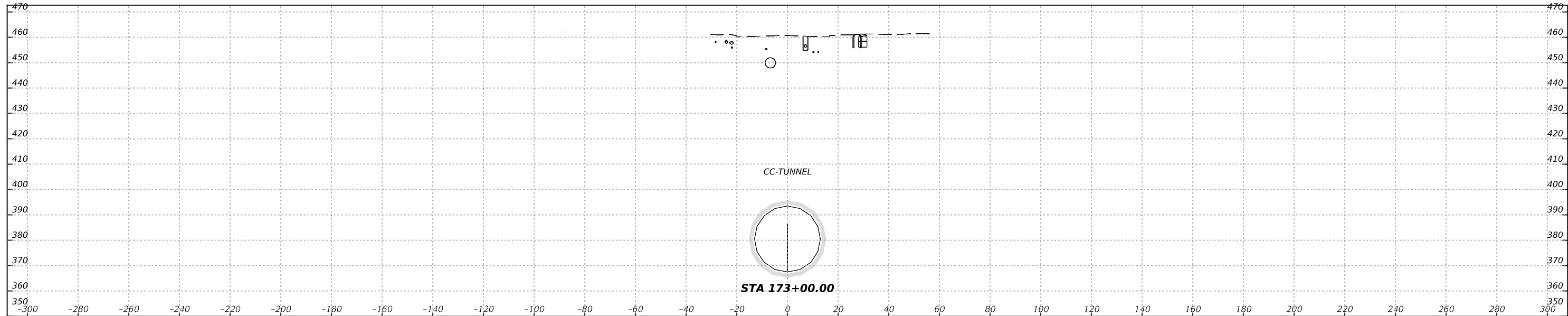
HDR Engineering, Inc.  
Firm Registration No. F-754  
710 Hester Crossing, Suite 150  
Round Rock, Texas 78681



**CAPITAL EXPRESS CENTRAL**  
**Ç CESAR CHAVEZ TUNNEL**  
**STA 172+50.00**

SCALE: HORIZ: 1"=40'  
VERT: 1"=40'

CONT	SECT	JOB	HIGHWAY
0015	13	433, ETC.	I-35
DIST COUNTY			SHEET NO.
AUS	TRAVIS		867



NO.	DATE	REVISION	APPR BY



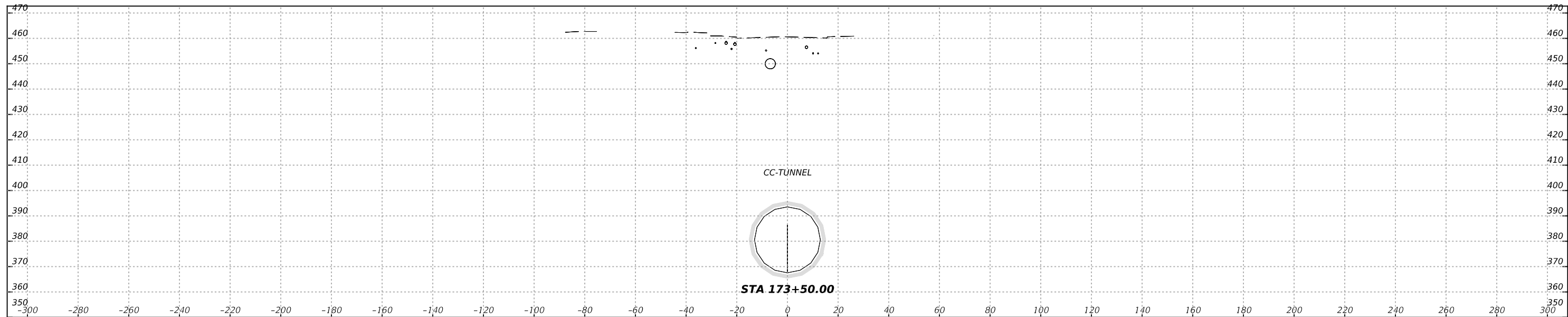
HDR Engineering, Inc.  
 Firm Registration No. F-754  
 710 Hester Crossing, Suite 150  
 Round Rock, Texas 78681



CAPITAL EXPRESS CENTRAL  
 Ç CESAR CHAVEZ TUNNEL  
 STA 173+00.00

SCALE: HORIZ: 1"=40'  
 VERT: 1"=40'

CONT	SECT	JOB	HIGHWAY
0015	13	433, ETC.	I-35
DIST COUNTY			SHEET NO.
AUS	TRAVIS		868



NO.	DATE	REVISION	APPR BY



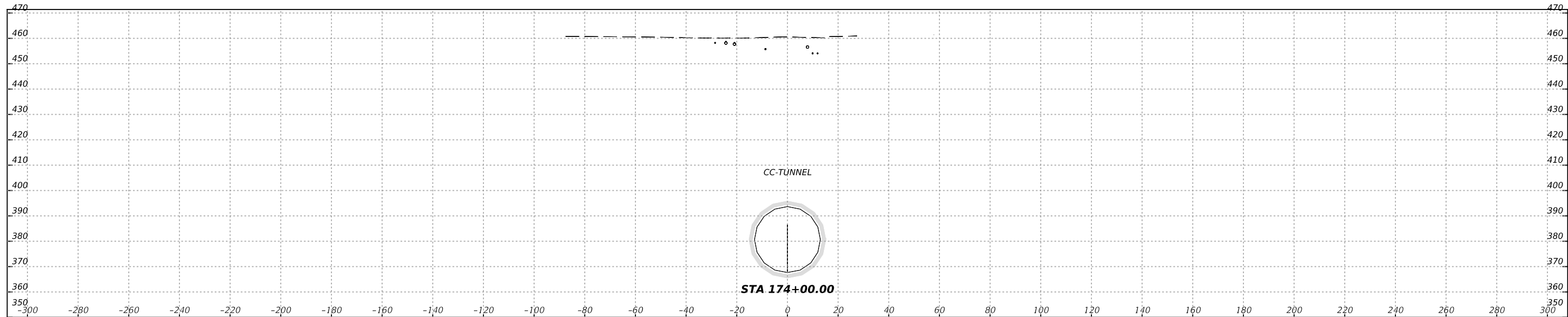
HDR Engineering, Inc.  
 Firm Registration No. F-754  
 710 Hester Crossing, Suite 150  
 Round Rock, Texas 78681



CAPITAL EXPRESS CENTRAL  
 Ç CESAR CHAVEZ TUNNEL  
 STA 173+50.00

SCALE: HORIZ: 1"=40'  
 VERT: 1"=40'

CONT	SECT	JOB	HIGHWAY
0015	13	433, ETC.	I-35
DIST COUNTY			SHEET NO.
AUS	TRAVIS		869



NO.	DATE	REVISION	APPR BY



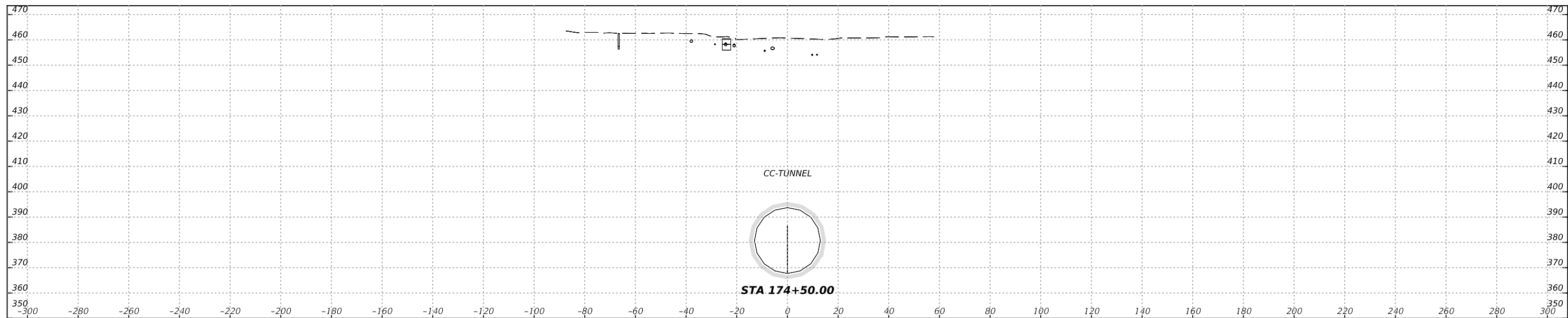
HDR Engineering, Inc.  
 Firm Registration No. F-754  
 710 Hester Crossing, Suite 150  
 Round Rock, Texas 78681



CAPITAL EXPRESS CENTRAL  
 Ç CESAR CHAVEZ TUNNEL  
 STA 174+00.00

SCALE: HORIZ: 1"=40'  
 VERT: 1"=40'

CONT	SECT	JOB	HIGHWAY
0015	13	433, ETC.	I-35
DIST		COUNTY	SHEET NO.
AUS		TRAVIS	870



NO.	DATE	REVISION	APPR BY



HDR Engineering, Inc.  
 Firm Registration No. F-754  
 710 Hester Crossing, Suite 150  
 Round Rock, Texas 78681

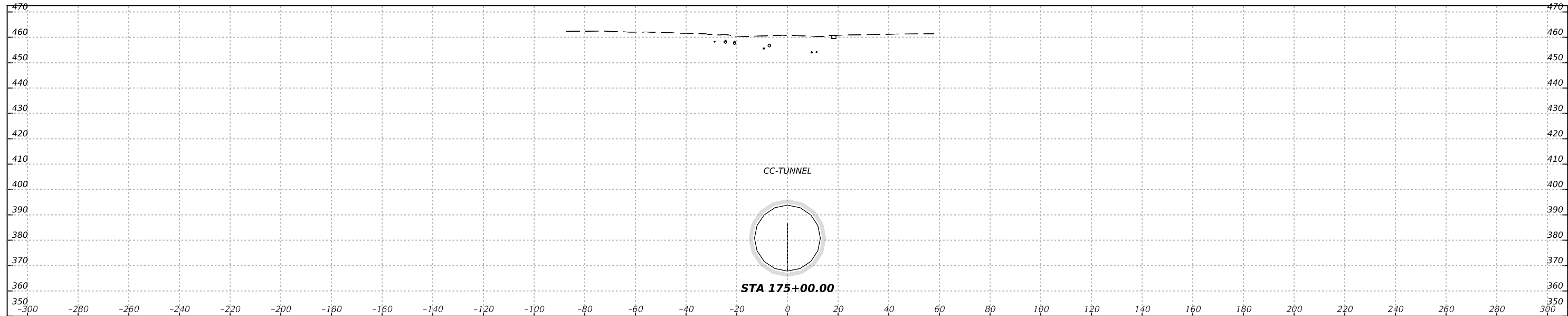


CAPITAL EXPRESS CENTRAL  
 Ç CESAR CHAVEZ TUNNEL  
 STA 174+50.00

SCALE: HORIZ: 1"=40'  
 VERT: 1"=40'

CONT	SECT	JOB	HIGHWAY
0015	13	433, ETC.	I-35
DIST COUNTY			SHEET NO.
AUS	TRAVIS		871





NO.	DATE	REVISION	APPR BY



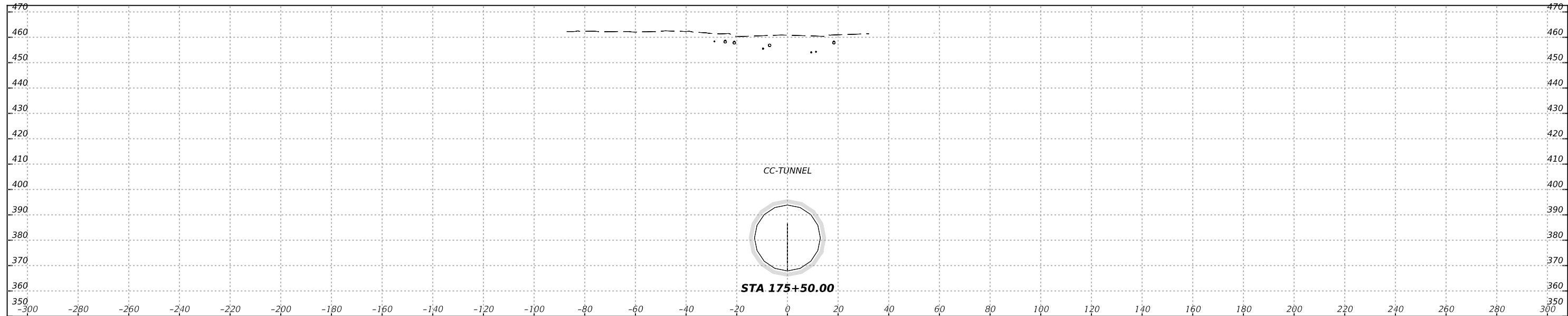
HDR Engineering, Inc.  
 Firm Registration No. F-754  
 710 Hester Crossing, Suite 150  
 Round Rock, Texas 78681



CAPITAL EXPRESS CENTRAL  
 Ç CESAR CHAVEZ TUNNEL  
 STA 175+00.00

SCALE: HORIZ: 1"=40'  
 VERT: 1"=40'

CONT	SECT	JOB	HIGHWAY
0015	13	433, ETC.	I-35
DIST COUNTY			SHEET NO.
AUS	TRAVIS		872



NO.	DATE	REVISION	APPR BY



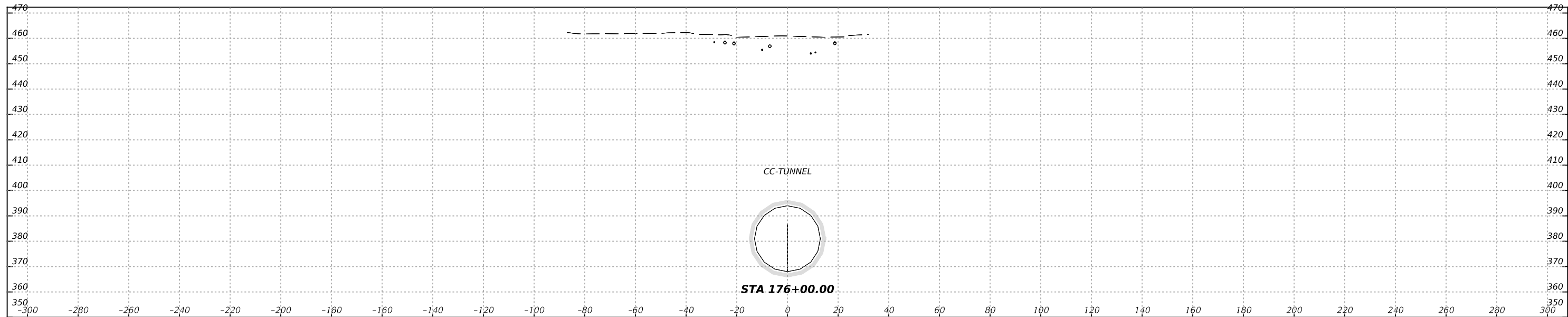
HDR Engineering, Inc.  
 Firm Registration No. F-754  
 710 Hester Crossing, Suite 150  
 Round Rock, Texas 78681



CAPITAL EXPRESS CENTRAL  
 Ç CESAR CHAVEZ TUNNEL  
 STA 175+50.00

SCALE: HORIZ: 1"=40'  
 VERT: 1"=40'

CONT	SECT	JOB	HIGHWAY
0015	13	433, ETC.	I-35
DIST	COUNTY		SHEET NO.
AUS	TRAVIS		873



NO.	DATE	REVISION	APPR BY



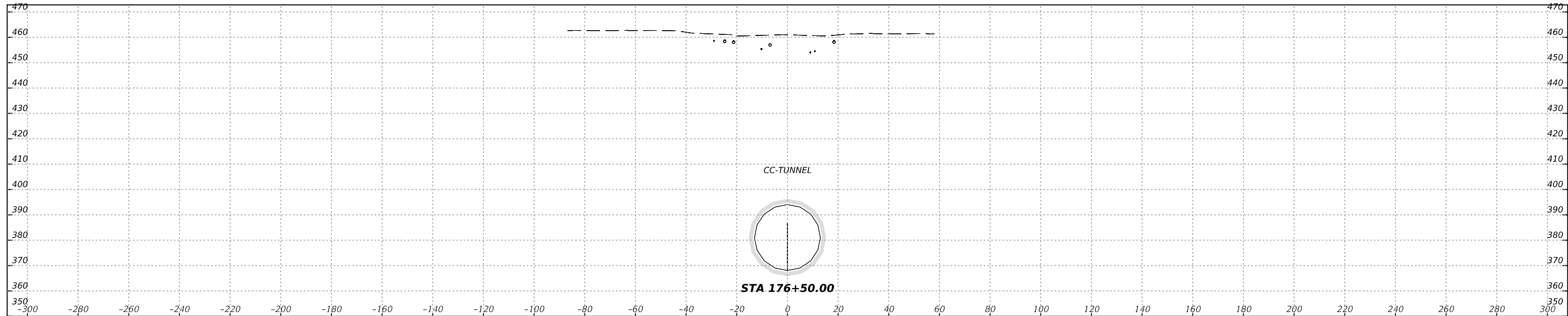
HDR Engineering, Inc.  
 Firm Registration No. F-754  
 710 Hester Crossing, Suite 150  
 Round Rock, Texas 78681



CAPITAL EXPRESS CENTRAL  
 Ç CESAR CHAVEZ TUNNEL  
 STA 176+00.00

SCALE: HORIZ: 1"=40'  
 VERT: 1"=40'

CONT	SECT	JOB	HIGHWAY
0015	13	433, ETC.	I-35
DIST	COUNTY		SHEET NO.
AUS	TRAVIS		874



NO.	DATE	REVISION	APPR BY



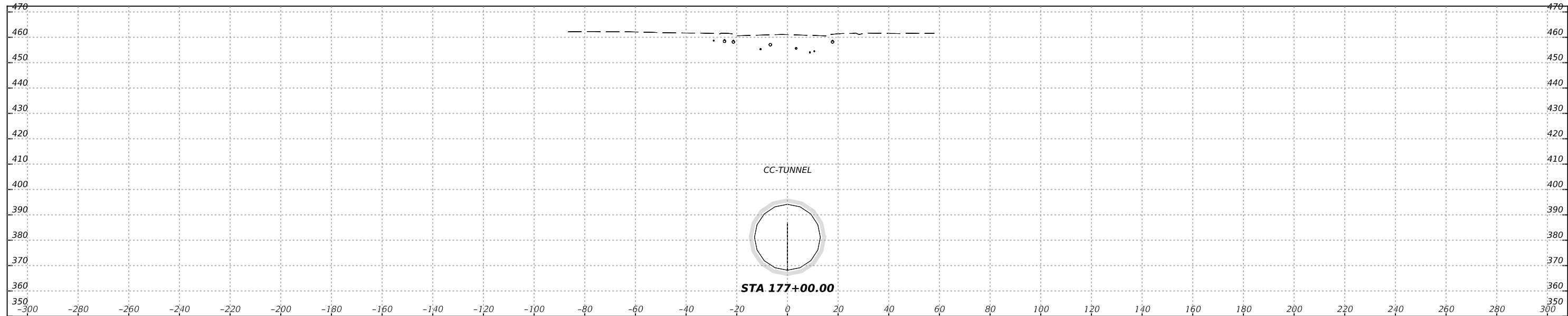
HDR Engineering, Inc.  
 Firm Registration No. F-754  
 710 Hester Crossing, Suite 150  
 Round Rock, Texas 78681



CAPITAL EXPRESS CENTRAL  
 Ç CESAR CHAVEZ TUNNEL  
 STA 176+50.00

SCALE: HORIZ: 1"=40'  
 VERT: 1"=40'

CONT	SECT	JOB	HIGHWAY
0015	13	433, ETC.	I-35
DIST COUNTY			SHEET NO.
AUS	TRAVIS		875



NO.	DATE	REVISION	APPR BY



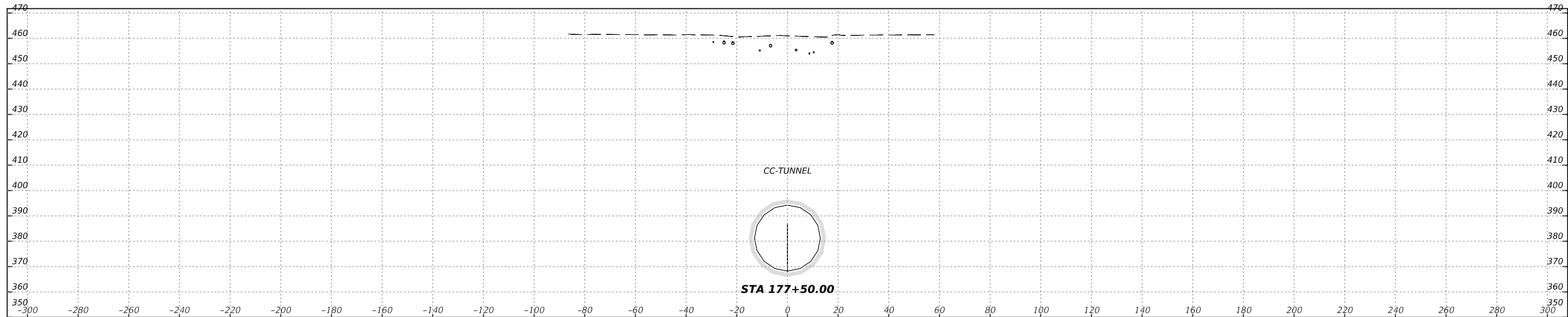
HDR Engineering, Inc.  
 Firm Registration No. F-754  
 710 Hester Crossing, Suite 150  
 Round Rock, Texas 78681



CAPITAL EXPRESS CENTRAL  
 Ç CESAR CHAVEZ TUNNEL  
 STA 177+00.00

SCALE: HORIZ: 1"=40'  
 VERT: 1"=40'

CONT	SECT	JOB	HIGHWAY
0015	13	433, ETC.	I-35
DIST COUNTY			SHEET NO.
AUS	TRAVIS		876



NO.	DATE	REVISION	APPR BY



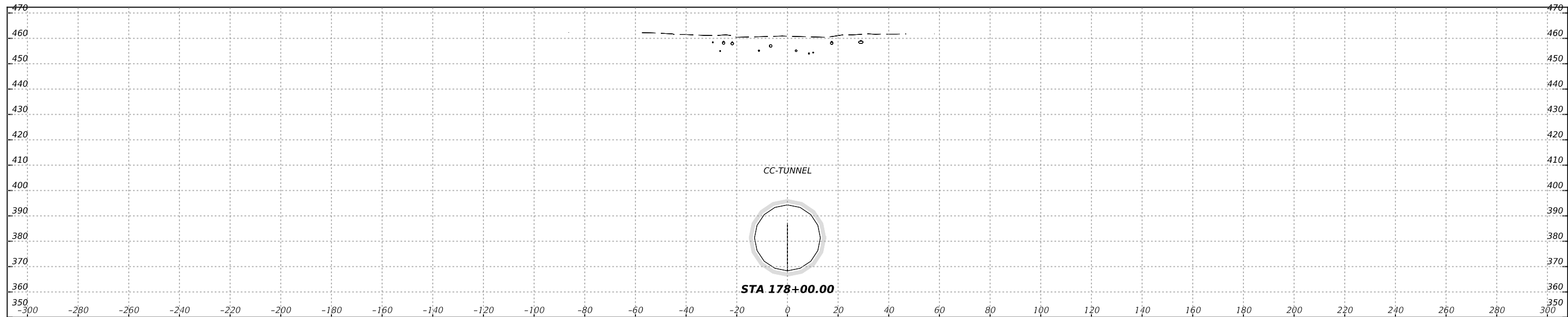
HDR Engineering, Inc.  
 Firm Registration No. F-754  
 710 Hester Crossing, Suite 150  
 Round Rock, Texas 78681



CAPITAL EXPRESS CENTRAL  
 Ç CESAR CHAVEZ TUNNEL  
 STA 177+50.00

SCALE: HORIZ: 1"=40'  
 VERT: 1"=40'

CONT	SECT	JOB	HIGHWAY
0015	13	433, ETC.	I-35
DIST	COUNTY		SHEET NO.
AUS	TRAVIS		877



NO.	DATE	REVISION	APPR BY



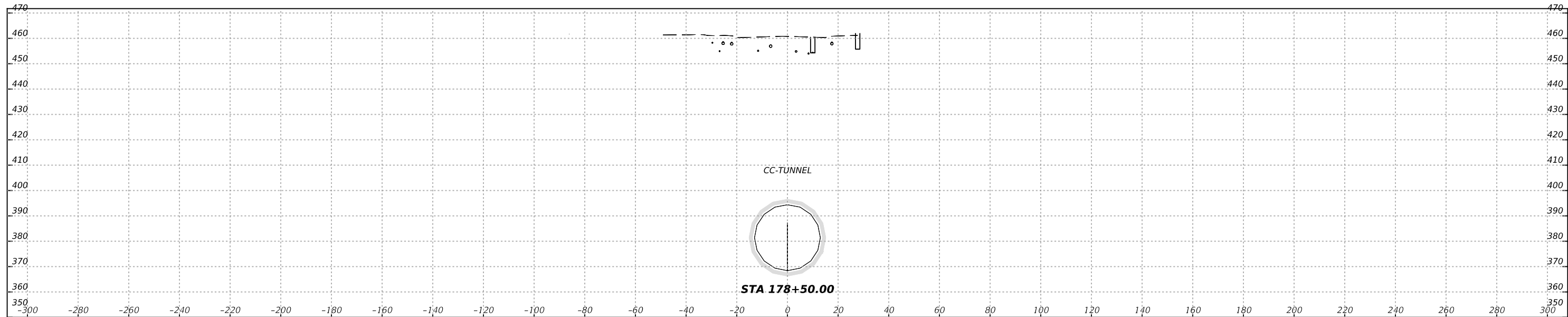
HDR Engineering, Inc.  
 Firm Registration No. F-754  
 710 Hester Crossing, Suite 150  
 Round Rock, Texas 78681



CAPITAL EXPRESS CENTRAL  
 Ç CESAR CHAVEZ TUNNEL  
 STA 178+00.00

SCALE: HORIZ: 1"=40'  
 VERT: 1"=40'

CONT	SECT	JOB	HIGHWAY
0015	13	433, ETC.	I-35
DIST COUNTY			SHEET NO.
AUS	TRAVIS		878



NO.	DATE	REVISION	APPR BY



HDR Engineering, Inc.  
 Firm Registration No. F-754  
 710 Hester Crossing, Suite 150  
 Round Rock, Texas 78681

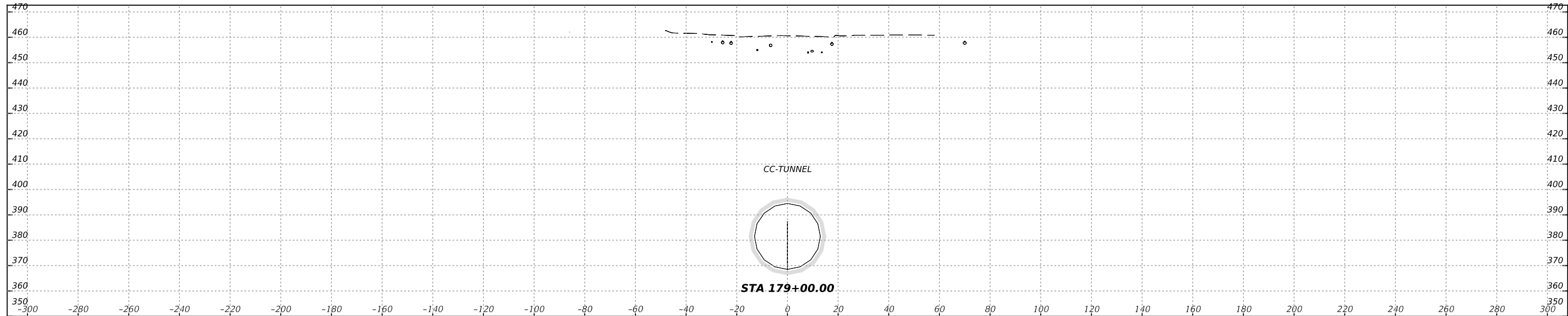


CAPITAL EXPRESS CENTRAL  
 Ç CESAR CHAVEZ TUNNEL  
 STA 178+50.00

SCALE: HORIZ: 1"=40'  
 VERT: 1"=40'

CONT	SECT	JOB	HIGHWAY
0015	13	433, ETC.	I-35
DIST COUNTY			SHEET NO.
AUS	TRAVIS		879





NO.	DATE	REVISION	APPR BY



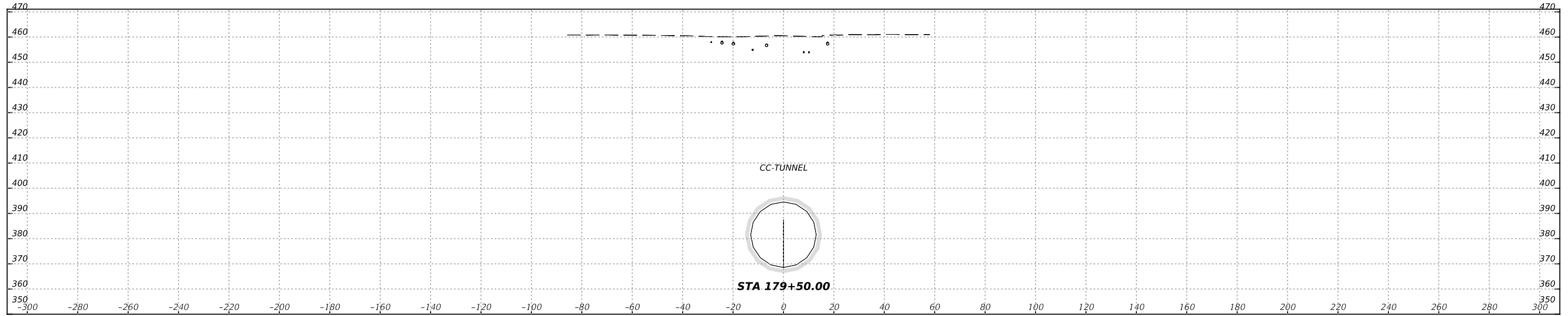
HDR Engineering, Inc.  
 Firm Registration No. F-754  
 710 Hester Crossing, Suite 150  
 Round Rock, Texas 78681



CAPITAL EXPRESS CENTRAL  
 Ç CESAR CHAVEZ TUNNEL  
 STA 179+00.00

SCALE: HORIZ: 1"=40'  
 VERT: 1"=40'

CONT	SECT	JOB	HIGHWAY
0015	13	433, ETC.	I-35
DIST	COUNTY		SHEET NO.
AUS	TRAVIS		880



NO.	DATE	REVISION	APPR BY



HDR Engineering, Inc.  
 Firm Registration No. F-754  
 710 Hester Crossing, Suite 150  
 Round Rock, Texas 78681



CAPITAL AREA

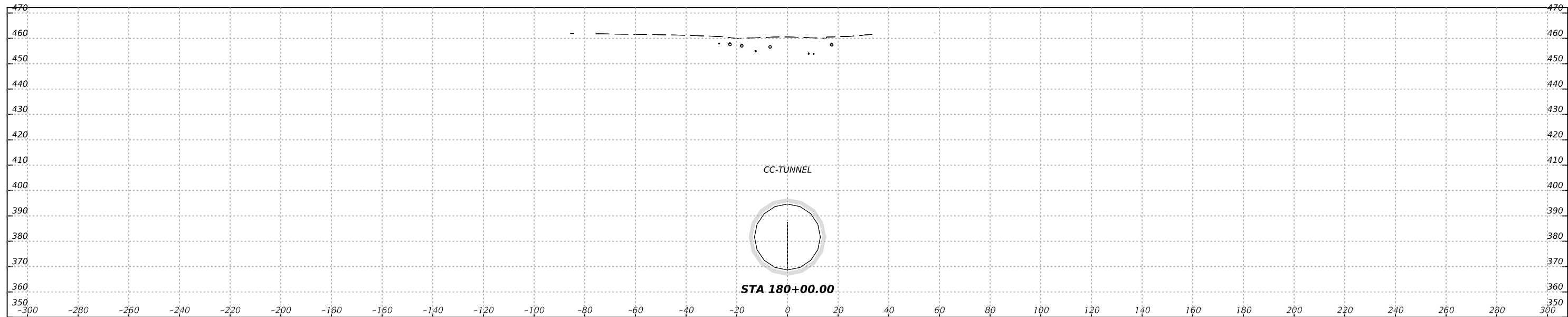


Texas Department of Transportation

**CAPITAL EXPRESS CENTRAL**  
 Ç CESAR CHAVEZ TUNNEL  
 STA 179+50.00

SCALE: HORIZ: 1"=40'  
 VERT: 1"=40'

CONT	SECT	JOB	HIGHWAY
0015	13	433, ETC.	I-35
DIST COUNTY			SHEET NO.
AUS	TRAVIS	881	



NO.	DATE	REVISION	APPR BY



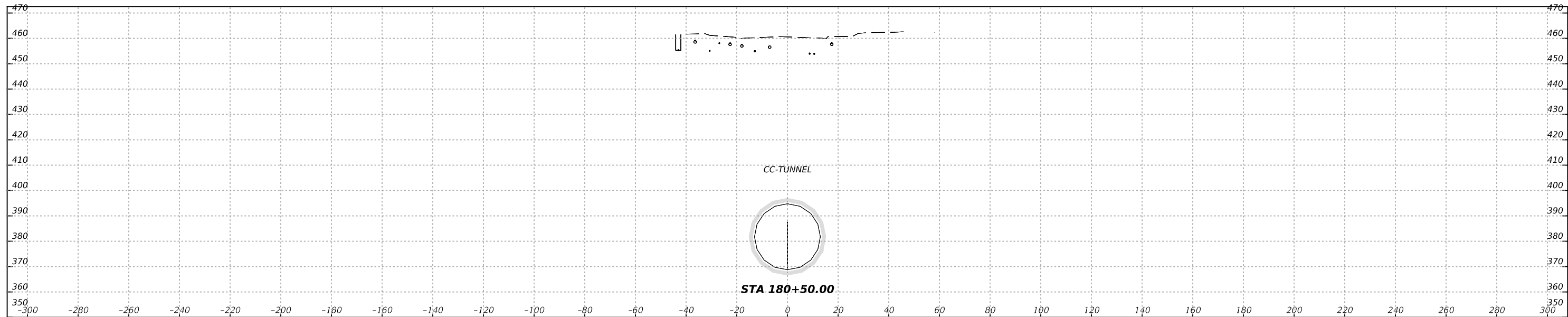
HDR Engineering, Inc.  
 Firm Registration No. F-754  
 710 Hester Crossing, Suite 150  
 Round Rock, Texas 78681



CAPITAL EXPRESS CENTRAL  
 Ç CESAR CHAVEZ TUNNEL  
 STA 180+00.00

SCALE: HORIZ: 1"=40'  
 VERT: 1"=40'

CONT	SECT	JOB	HIGHWAY
0015	13	433, ETC.	I-35
DIST COUNTY			SHEET NO.
AUS	TRAVIS		882



NO.	DATE	REVISION	APPR BY



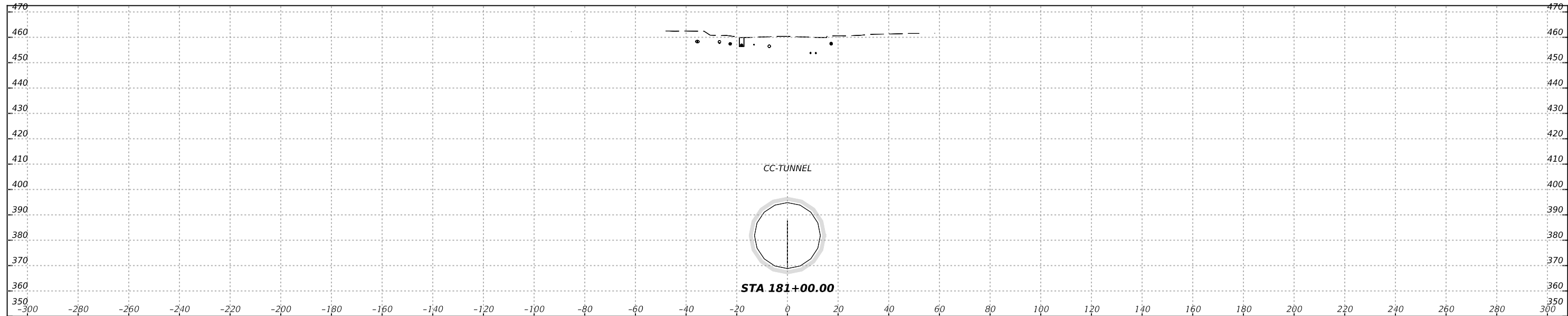
HDR Engineering, Inc.  
 Firm Registration No. F-754  
 710 Hester Crossing, Suite 150  
 Round Rock, Texas 78681



CAPITAL EXPRESS CENTRAL  
 Ç CESAR CHAVEZ TUNNEL  
 STA 180+50.00

SCALE: HORIZ: 1"=40'  
 VERT: 1"=40'

CONT	SECT	JOB	HIGHWAY
0015	13	433, ETC.	I-35
DIST			COUNTY
AUS			TRAVIS
SHEET NO.			883



NO.	DATE	REVISION	APPR BY



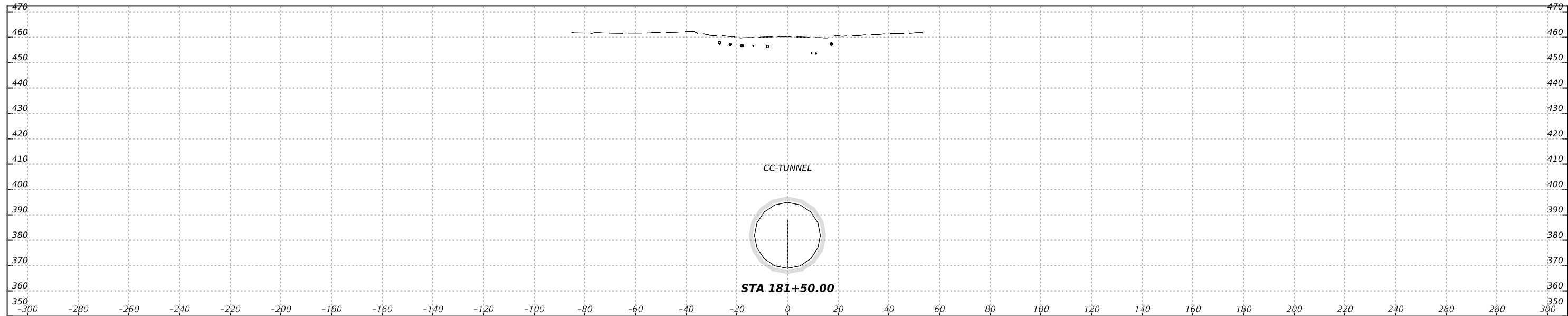
HDR Engineering, Inc.  
Firm Registration No. F-754  
710 Hester Crossing, Suite 150  
Round Rock, Texas 78681



**CAPITAL EXPRESS CENTRAL**  
**Ç CESAR CHAVEZ TUNNEL**  
**STA 181+00.00**

SCALE: HORIZ: 1"=40'  
VERT: 1"=40'

CONT	SECT	JOB	HIGHWAY
0015	13	433, ETC.	I-35
DIST COUNTY			SHEET NO.
AUS	TRAVIS		884



NO.	DATE	REVISION	APPR BY



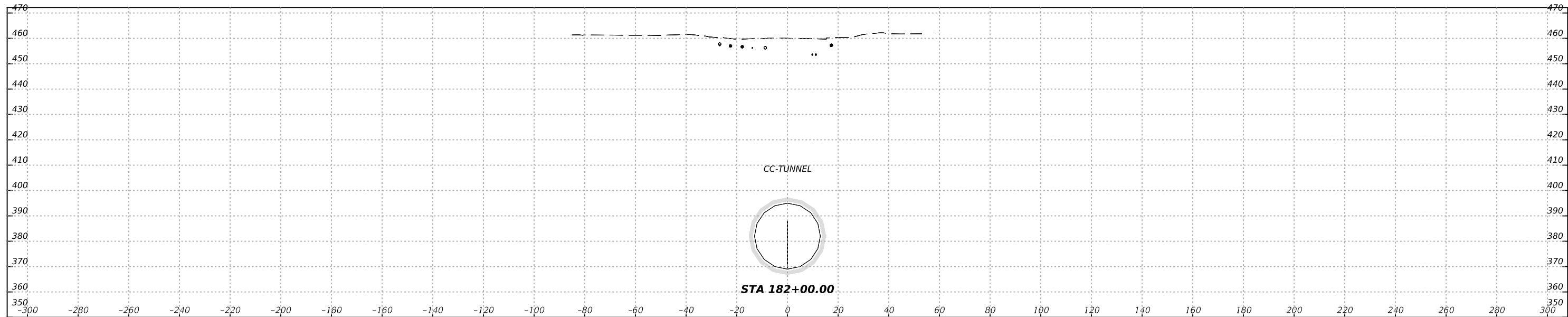
HDR Engineering, Inc.  
 Firm Registration No. F-754  
 710 Hester Crossing, Suite 150  
 Round Rock, Texas 78681



CAPITAL EXPRESS CENTRAL  
 Ç CESAR CHAVEZ TUNNEL  
 STA 181+50.00

SCALE: HORIZ: 1"=40'  
 VERT: 1"=40'

CONT	SECT	JOB	HIGHWAY
0015	13	433, ETC.	I-35
DIST	COUNTY		SHEET NO.
AUS	TRAVIS		885



NO.	DATE	REVISION	APPR BY



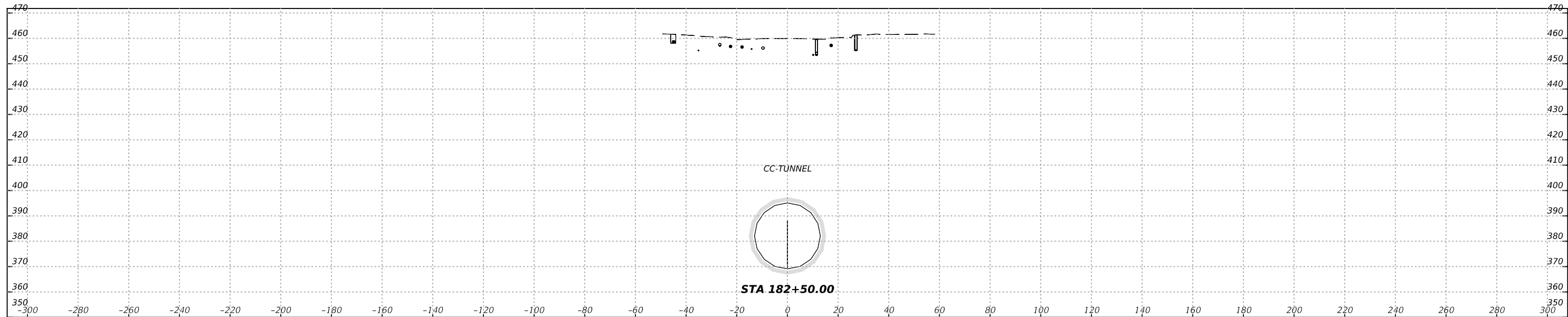
HDR Engineering, Inc.  
 Firm Registration No. F-754  
 710 Hester Crossing, Suite 150  
 Round Rock, Texas 78681



CAPITAL EXPRESS CENTRAL  
 Ç CESAR CHAVEZ TUNNEL  
 STA 182+00.00

SCALE: HORIZ: 1"=40'  
 VERT: 1"=40'

CONT	SECT	JOB	HIGHWAY
0015	13	433, ETC.	I-35
DIST COUNTY			SHEET NO.
AUS	TRAVIS		886



NO.	DATE	REVISION	APPR BY



HDR Engineering, Inc.  
 Firm Registration No. F-754  
 710 Hester Crossing, Suite 150  
 Round Rock, Texas 78681

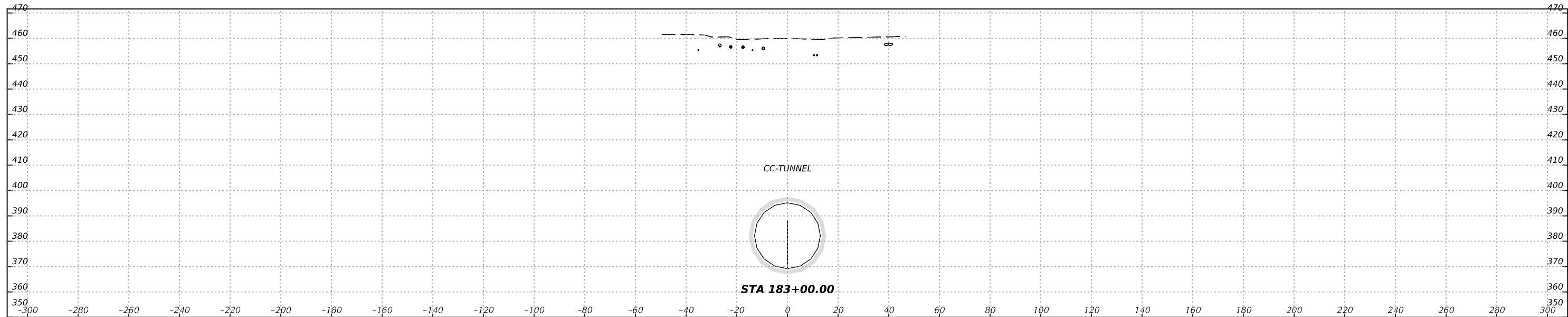


CAPITAL EXPRESS CENTRAL  
 Ç CESAR CHAVEZ TUNNEL  
 STA 182+50.00

SCALE: HORIZ: 1"=40'  
 VERT: 1"=40'

CONT	SECT	JOB	HIGHWAY
0015	13	433, ETC.	I-35
DIST	COUNTY		SHEET NO.
AUS	TRAVIS		887





NO.	DATE	REVISION	APPR BY



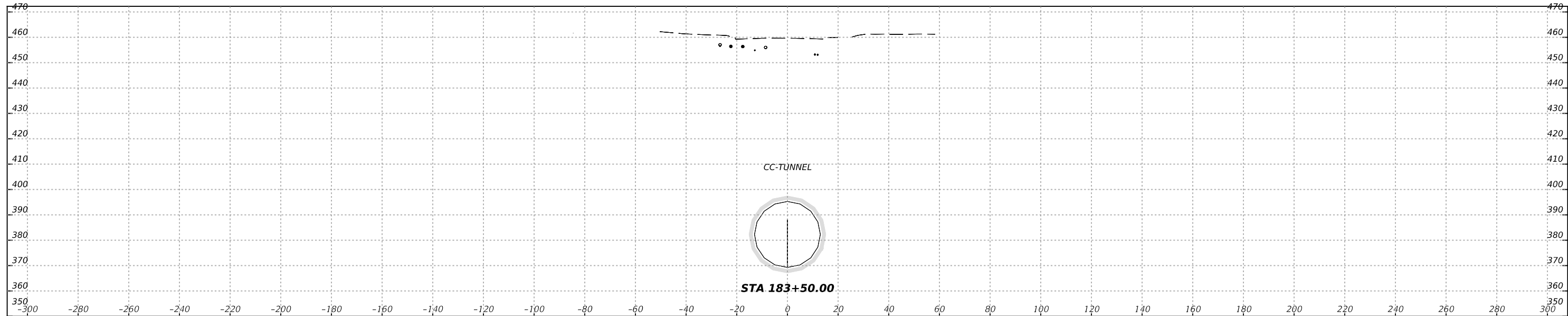
HDR Engineering, Inc.  
 Firm Registration No. F-754  
 710 Hester Crossing, Suite 150  
 Round Rock, Texas 78681



CAPITAL EXPRESS CENTRAL  
 Ç CESAR CHAVEZ TUNNEL  
 STA 183+00.00

SCALE: HORIZ: 1"=40'  
 VERT: 1"=40'

CONT	SECT	JOB	HIGHWAY
0015	13	433, ETC.	I-35
DIST	COUNTY		SHEET NO.
AUS	TRAVIS		888



NO.	DATE	REVISION	APPR BY



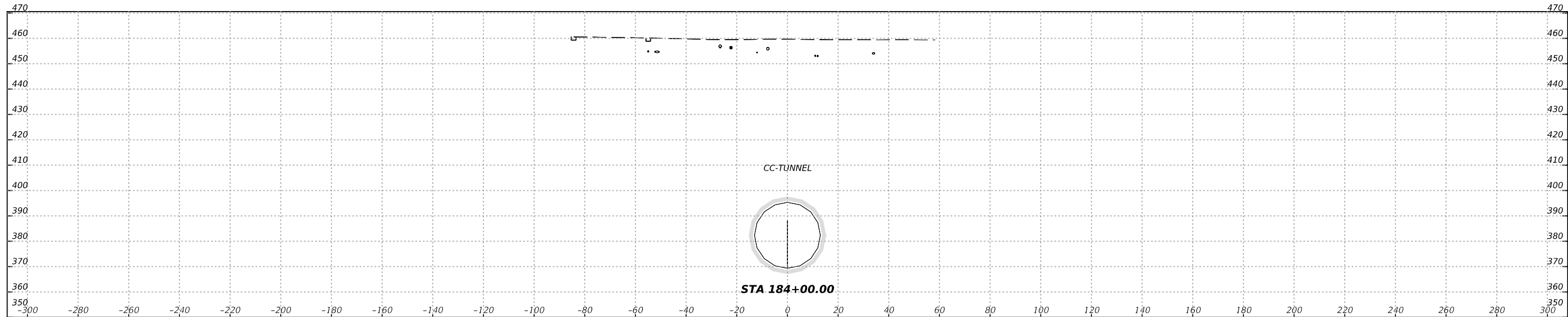
HDR Engineering, Inc.  
 Firm Registration No. F-754  
 710 Hester Crossing, Suite 150  
 Round Rock, Texas 78681



CAPITAL EXPRESS CENTRAL  
 Ç CESAR CHAVEZ TUNNEL  
 STA 183+50.00

SCALE: HORIZ: 1"=40'  
 VERT: 1"=40'

CONT	SECT	JOB	HIGHWAY
0015	13	433, ETC.	I-35
DIST COUNTY			SHEET NO.
AUS	TRAVIS		889



NO.	DATE	REVISION	APPR BY



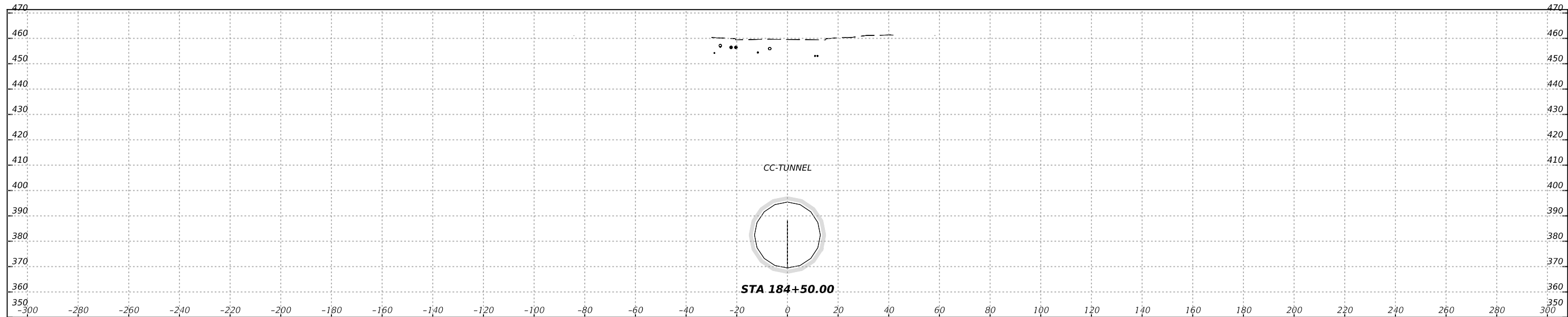
HDR Engineering, Inc.  
 Firm Registration No. F-754  
 710 Hester Crossing, Suite 150  
 Round Rock, Texas 78681



CAPITAL EXPRESS CENTRAL  
 Ç CESAR CHAVEZ TUNNEL  
 STA 184+00.00

SCALE: HORIZ: 1"=40'  
 VERT: 1"=40'

CONT	SECT	JOB	HIGHWAY
0015	13	433, ETC.	I-35
DIST	COUNTY		SHEET NO.
AUS	TRAVIS		890



NO.	DATE	REVISION	APPR BY



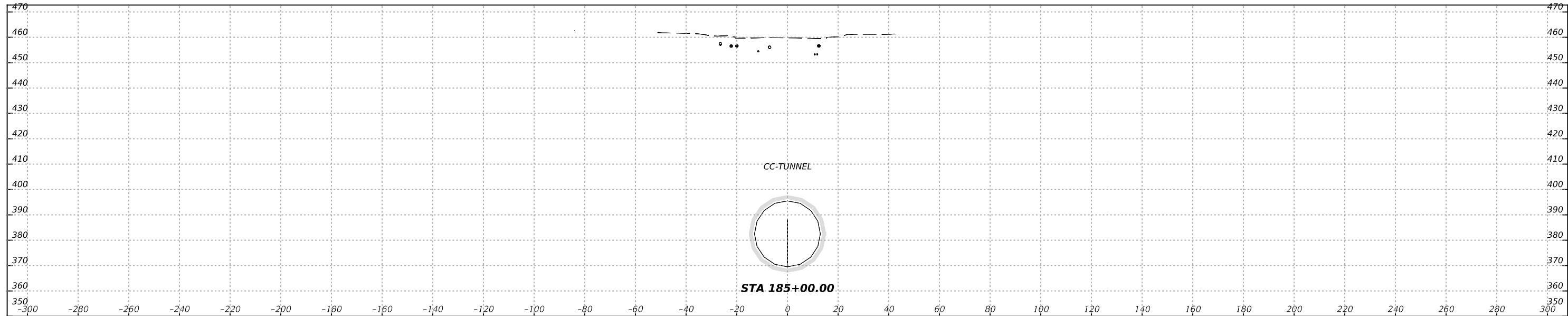
HDR Engineering, Inc.  
 Firm Registration No. F-754  
 710 Hester Crossing, Suite 150  
 Round Rock, Texas 78681



CAPITAL EXPRESS CENTRAL  
 Ç CESAR CHAVEZ TUNNEL  
 STA 184+50.00

SCALE: HORIZ: 1"=40'  
 VERT: 1"=40'

CONT	SECT	JOB	HIGHWAY
0015	13	433, ETC.	I-35
DIST	COUNTY		SHEET NO.
AUS	TRAVIS		891



NO.	DATE	REVISION	APPR BY



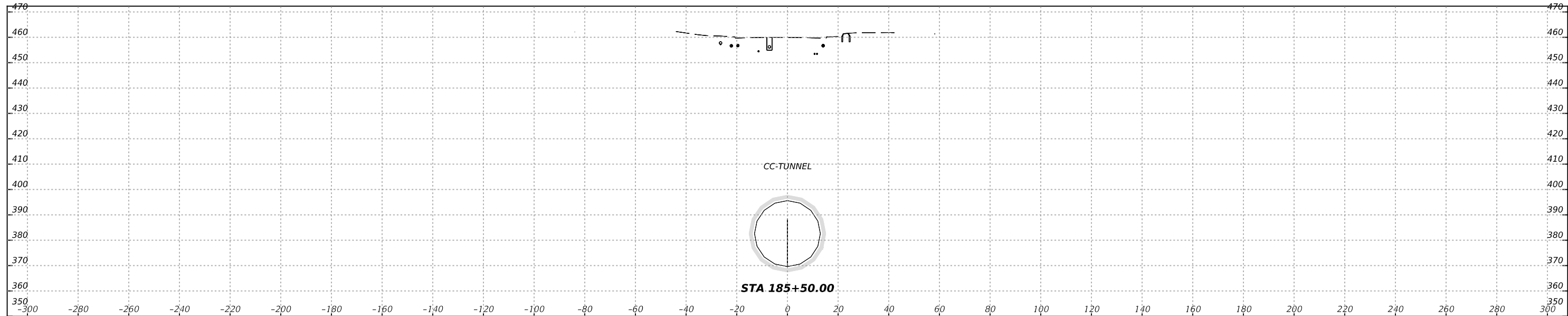
HDR Engineering, Inc.  
 Firm Registration No. F-754  
 710 Hester Crossing, Suite 150  
 Round Rock, Texas 78681



CAPITAL EXPRESS CENTRAL  
 Ç CESAR CHAVEZ TUNNEL  
 STA 185+00.00

SCALE: HORIZ: 1"=40'  
 VERT: 1"=40'

CONT	SECT	JOB	HIGHWAY
0015	13	433, ETC.	I-35
DIST	COUNTY		SHEET NO.
AUS	TRAVIS		892



NO.	DATE	REVISION	APPR BY



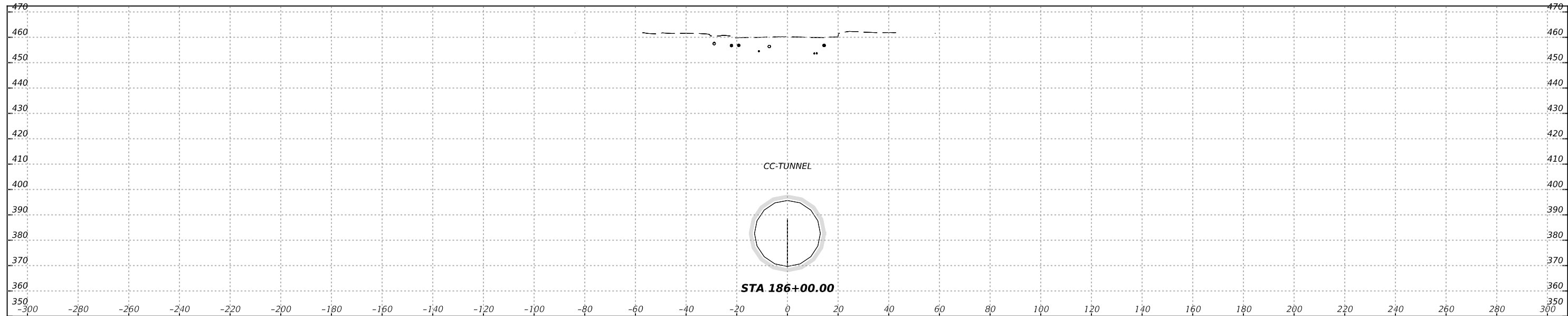
HDR Engineering, Inc.  
 Firm Registration No. F-754  
 710 Hester Crossing, Suite 150  
 Round Rock, Texas 78681



CAPITAL EXPRESS CENTRAL  
 Ç CESAR CHAVEZ TUNNEL  
 STA 185+50.00

SCALE: HORIZ: 1"=40'  
 VERT: 1"=40'

CONT	SECT	JOB	HIGHWAY
0015	13	433, ETC.	I-35
DIST COUNTY			SHEET NO.
AUS	TRAVIS		893



NO.	DATE	REVISION	APPR BY



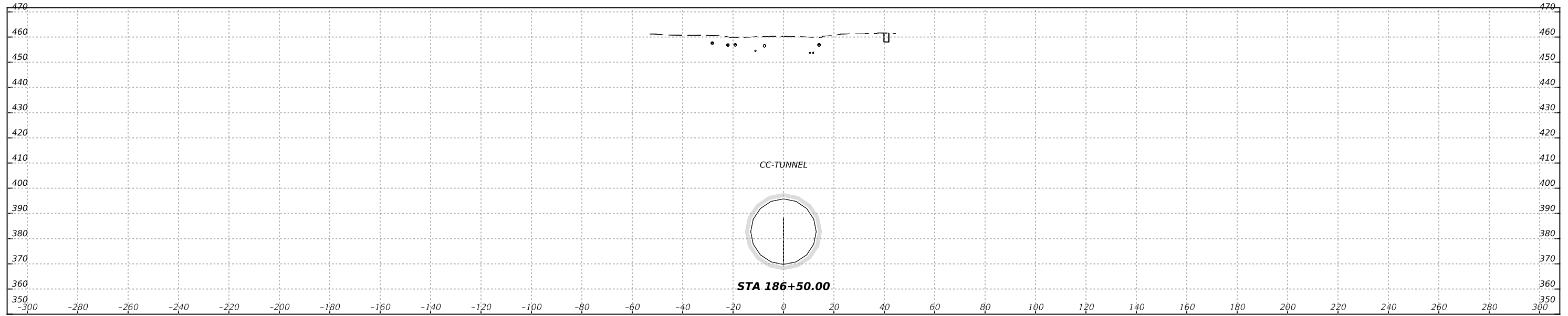
HDR Engineering, Inc.  
 Firm Registration No. F-754  
 710 Hester Crossing, Suite 150  
 Round Rock, Texas 78681



CAPITAL EXPRESS CENTRAL  
 Ç CESAR CHAVEZ TUNNEL  
 STA 186+00.00

SCALE: HORIZ: 1"=40'  
 VERT: 1"=40'

CONT	SECT	JOB	HIGHWAY
0015	13	433, ETC.	I-35
DIST	COUNTY		SHEET NO.
AUS	TRAVIS		894



NO.	DATE	REVISION	APPR BY



HDR Engineering, Inc.  
 Firm Registration No. F-754  
 710 Hester Crossing, Suite 150  
 Round Rock, Texas 78681

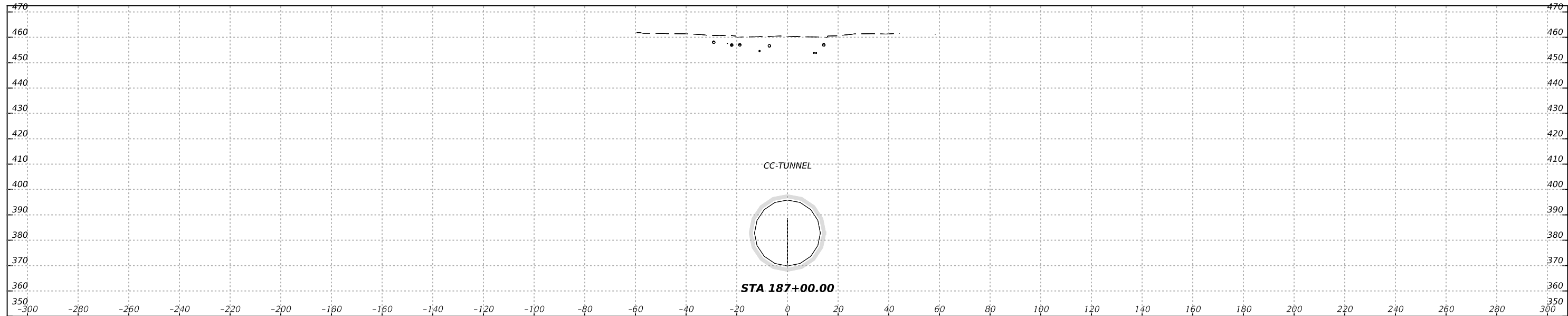


CAPITAL EXPRESS CENTRAL  
 Ç CESAR CHAVEZ TUNNEL  
 STA 186+50.00

SCALE: HORIZ: 1"=40'  
 VERT: 1"=40'

CONT	SECT	JOB	HIGHWAY
0015	13	433, ETC.	I-35
DIST		COUNTY	SHEET NO.
AUS		TRAVIS	895





NO.	DATE	REVISION	APPR BY



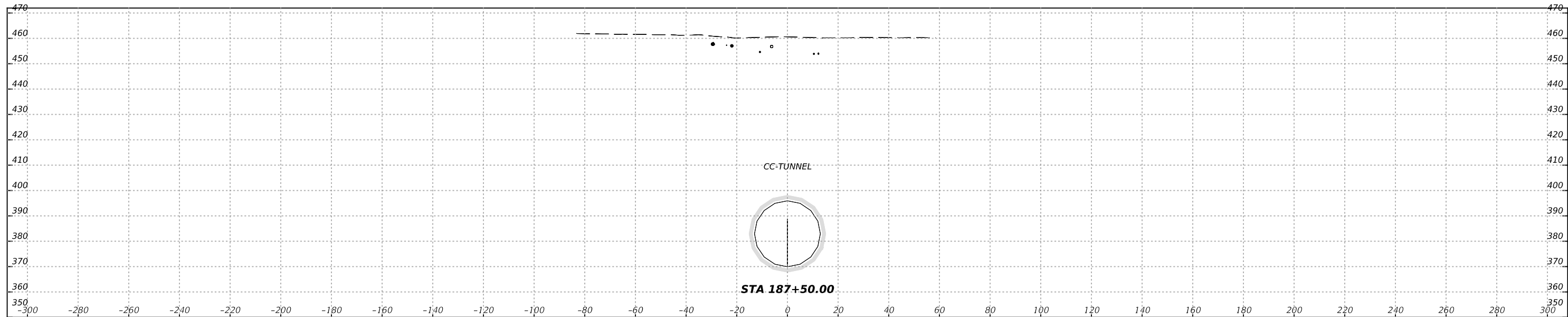
HDR Engineering, Inc.  
 Firm Registration No. F-754  
 710 Hester Crossing, Suite 150  
 Round Rock, Texas 78681



CAPITAL EXPRESS CENTRAL  
 Ç CESAR CHAVEZ TUNNEL  
 STA 187+00.00

SCALE: HORIZ: 1"=40'  
 VERT: 1"=40'

CONT	SECT	JOB	HIGHWAY
0015	13	433, ETC.	I-35
DIST	COUNTY		SHEET NO.
AUS	TRAVIS		896



NO.	DATE	REVISION	APPR BY



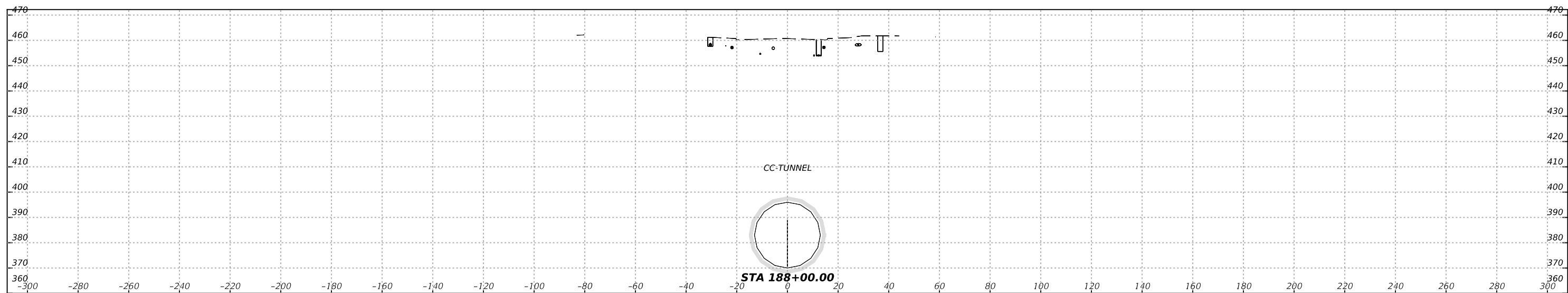
HDR Engineering, Inc.  
 Firm Registration No. F-754  
 710 Hester Crossing, Suite 150  
 Round Rock, Texas 78681



CAPITAL EXPRESS CENTRAL  
 Ç CESAR CHAVEZ TUNNEL  
 STA 187+50.00

SCALE: HORIZ: 1"=40'  
 VERT: 1"=40'

CONT	SECT	JOB	HIGHWAY
0015	13	433, ETC.	I-35
DIST			COUNTY
AUS			TRAVIS
SHEET NO.			897



NO.	DATE	REVISION	APPR BY



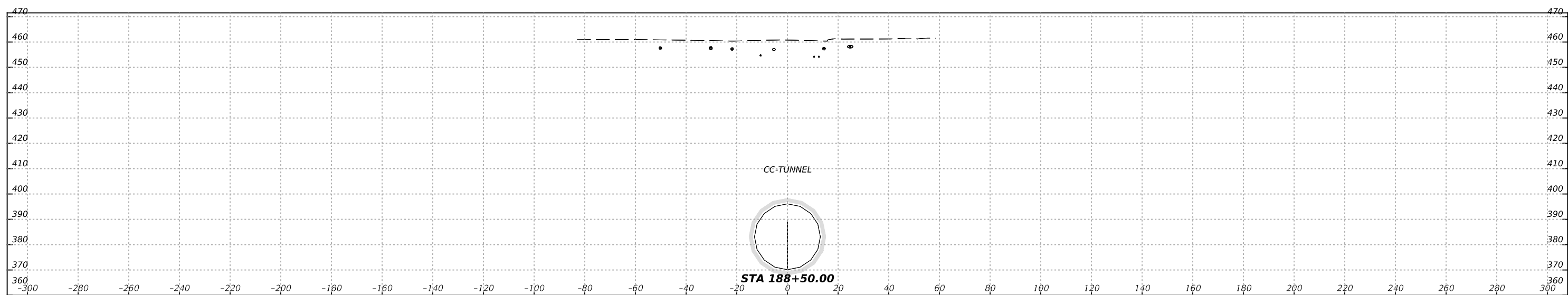
HDR Engineering, Inc.  
 Firm Registration No. F-754  
 710 Hester Crossing, Suite 150  
 Round Rock, Texas 78681



CAPITAL EXPRESS CENTRAL  
 Ç CESAR CHAVEZ TUNNEL  
 STA 188+00.00

SCALE: HORIZ: 1"=40'  
 VERT: 1"=40'

CONT	SECT	JOB	HIGHWAY
0015	13	433, ETC.	I-35
DIST			COUNTY
AUS			TRAVIS
SHEET NO.			898



NO.	DATE	REVISION	APPR BY



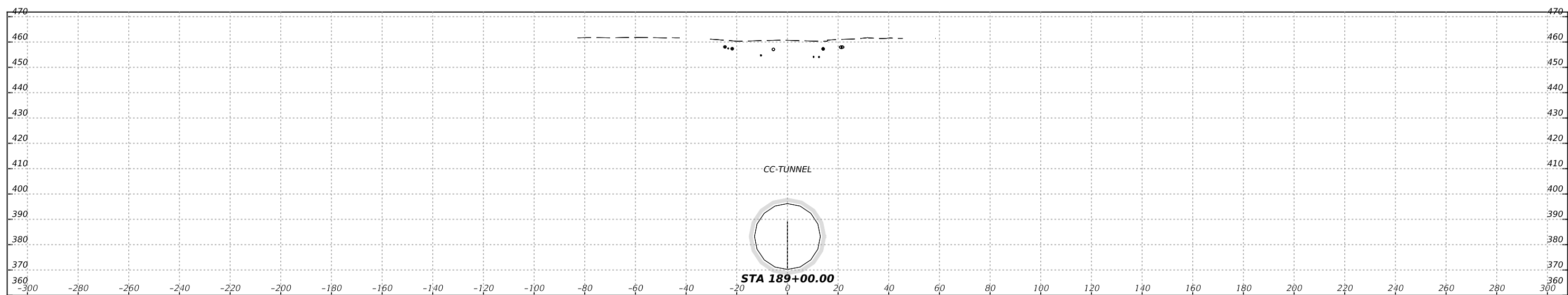
HDR Engineering, Inc.  
 Firm Registration No. F-754  
 710 Hester Crossing, Suite 150  
 Round Rock, Texas 78681



CAPITAL EXPRESS CENTRAL  
 Ç CESAR CHAVEZ TUNNEL  
 STA 188+50.00

SCALE: HORIZ: 1"=40'  
 VERT: 1"=40'

CONT	SECT	JOB	HIGHWAY
0015	13	433, ETC.	I-35
DIST	COUNTY		SHEET NO.
AUS	TRAVIS		899



NO.	DATE	REVISION	APPR BY



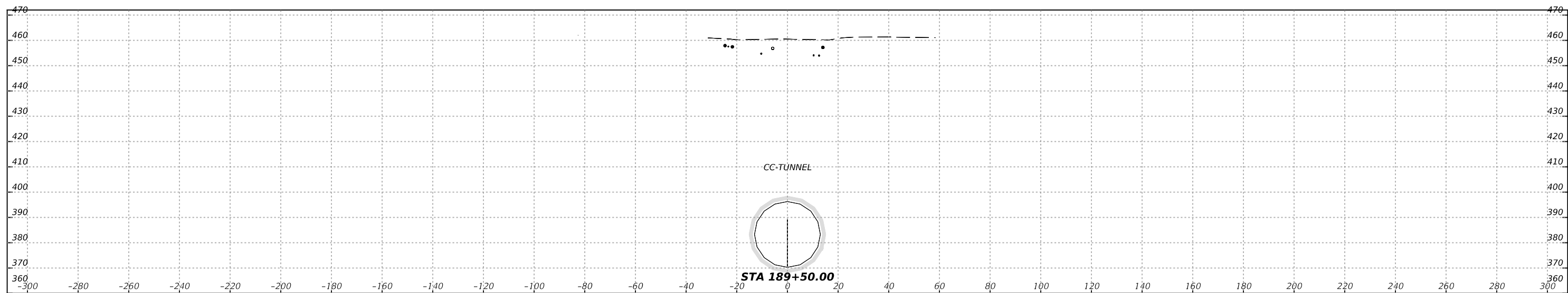
HDR Engineering, Inc.  
 Firm Registration No. F-754  
 710 Hester Crossing, Suite 150  
 Round Rock, Texas 78681



CAPITAL EXPRESS CENTRAL  
 Ç CESAR CHAVEZ TUNNEL  
 STA 189+00.00

SCALE: HORIZ: 1"=40'  
 VERT: 1"=40'

CONT	SECT	JOB	HIGHWAY
0015	13	433, ETC.	I-35
DIST			COUNTY
AUS			TRAVIS
SHEET NO.			900



NO.	DATE	REVISION	APPR BY



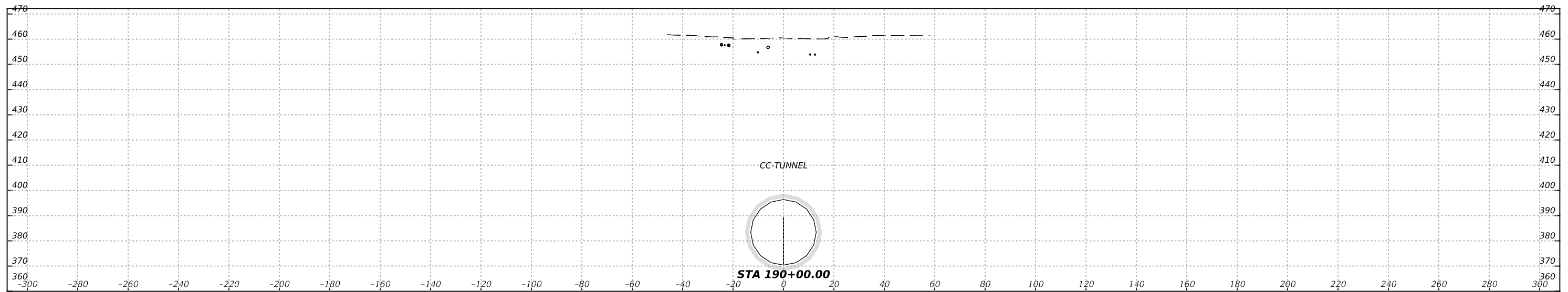
HDR Engineering, Inc.  
 Firm Registration No. F-754  
 710 Hester Crossing, Suite 150  
 Round Rock, Texas 78681



CAPITAL EXPRESS CENTRAL  
 Ç CESAR CHAVEZ TUNNEL  
 STA 189+50.00

SCALE: HORIZ: 1"=40'  
 VERT: 1"=40'

CONT	SECT	JOB	HIGHWAY
0015	13	433, ETC.	I-35
DIST	COUNTY		SHEET NO.
AUS	TRAVIS		901



NO.	DATE	REVISION	APPR BY



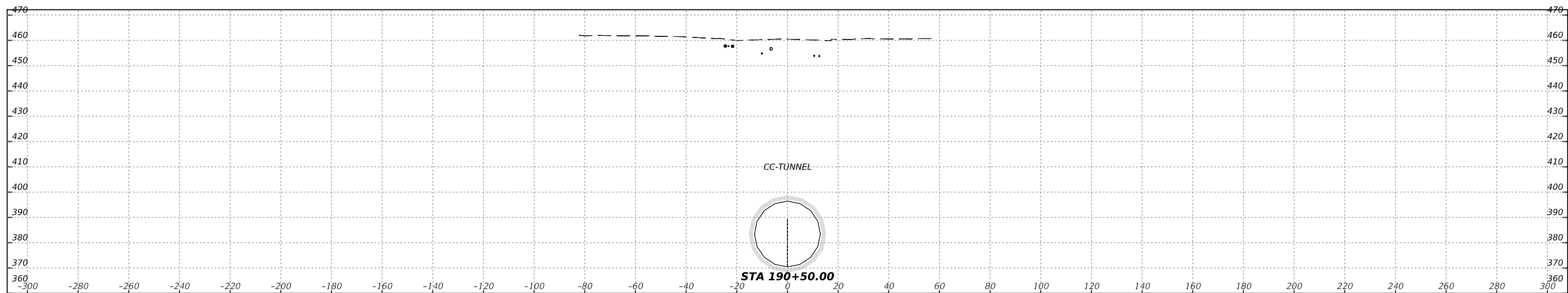
HDR Engineering, Inc.  
 Firm Registration No. F-754  
 710 Hester Crossing, Suite 150  
 Round Rock, Texas 78681



CAPITAL EXPRESS CENTRAL  
 Ç CESAR CHAVEZ TUNNEL  
 STA 190+00.00

SCALE: HORIZ: 1"=40'  
 VERT: 1"=40'

CONT	SECT	JOB	HIGHWAY
0015	13	433, ETC.	I-35
DIST			COUNTY
AUS			TRAVIS
SHEET NO.			902



NO.	DATE	REVISION	APPR BY



HDR Engineering, Inc.  
 Firm Registration No. F-754  
 710 Hester Crossing, Suite 150  
 Round Rock, Texas 78681

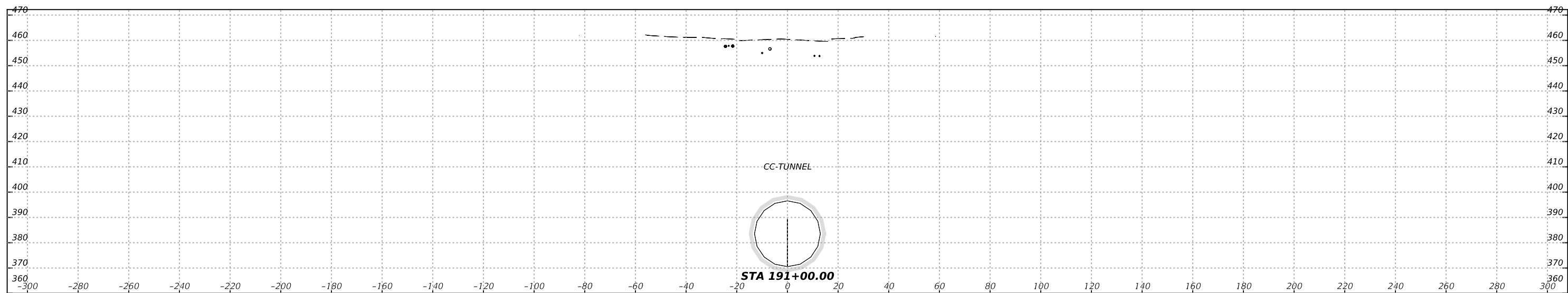


CAPITAL EXPRESS CENTRAL  
 Ç CESAR CHAVEZ TUNNEL  
 STA 190+50.00

SCALE: HORIZ: 1"=40'  
 VERT: 1"=40'

CONT	SECT	JOB	HIGHWAY
0015	13	433, ETC.	I-35
DIST			COUNTY
AUS			TRAVIS
SHEET NO.			903





NO.	DATE	REVISION	APPR BY



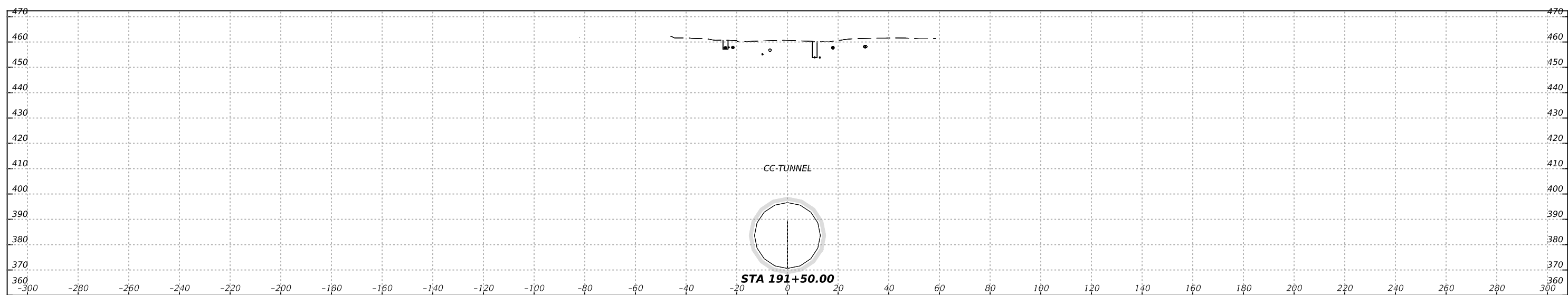
HDR Engineering, Inc.  
 Firm Registration No. F-754  
 710 Hester Crossing, Suite 150  
 Round Rock, Texas 78681



CAPITAL EXPRESS CENTRAL  
 Ç CESAR CHAVEZ TUNNEL  
 STA 191+00.00

SCALE: HORIZ: 1"=40'  
 VERT: 1"=40'

CONT	SECT	JOB	HIGHWAY
0015	13	433, ETC.	I-35
DIST			COUNTY
AUS			TRAVIS
SHEET NO.			904



NO.	DATE	REVISION	APPR BY



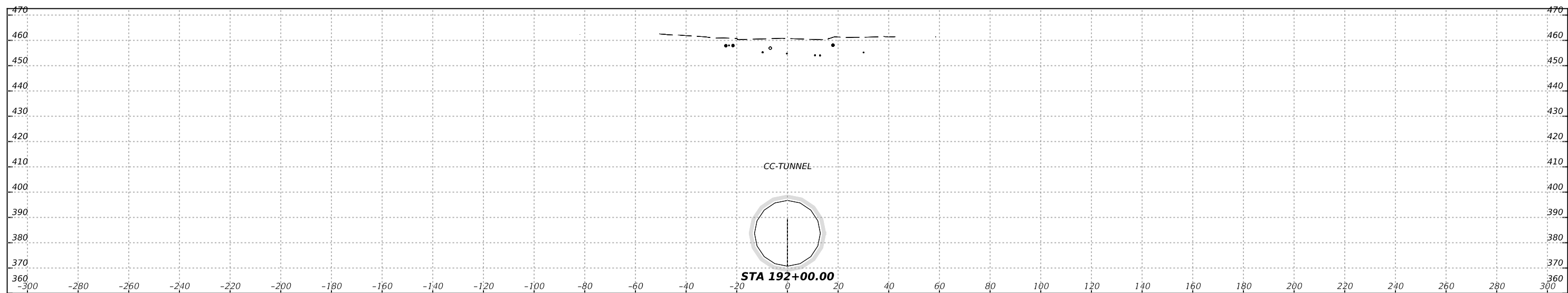
HDR Engineering, Inc.  
 Firm Registration No. F-754  
 710 Hester Crossing, Suite 150  
 Round Rock, Texas 78681



CAPITAL EXPRESS CENTRAL  
 Ç CESAR CHAVEZ TUNNEL  
 STA 191+50.00

SCALE: HORIZ: 1"=40'  
 VERT: 1"=40'

CONT	SECT	JOB	HIGHWAY
0015	13	433, ETC.	I-35
DIST			SHEET NO.
AUS	TRAVIS		905



NO.	DATE	REVISION	APPR BY



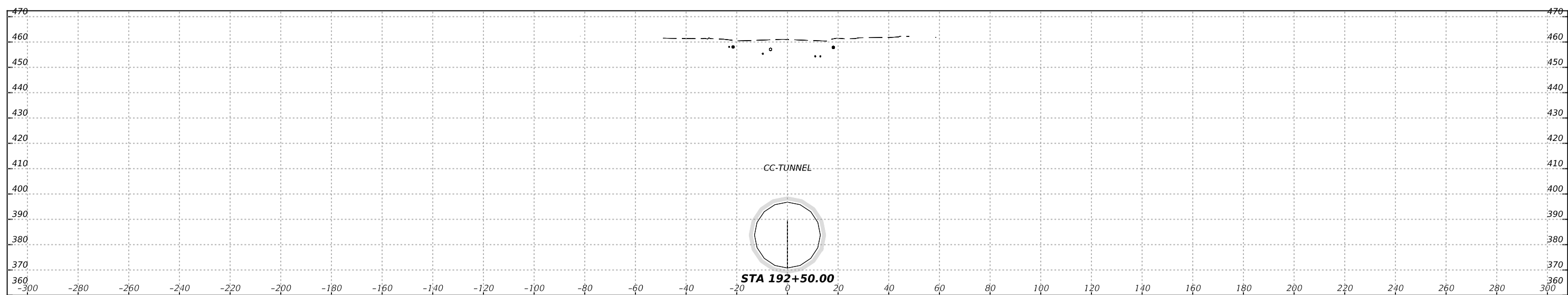
HDR Engineering, Inc.  
 Firm Registration No. F-754  
 710 Hester Crossing, Suite 150  
 Round Rock, Texas 78681



CAPITAL EXPRESS CENTRAL  
 Ç CESAR CHAVEZ TUNNEL  
 STA 192+00.00

SCALE: HORIZ: 1"=40'  
 VERT: 1"=40'

CONT	SECT	JOB	HIGHWAY
0015	13	433, ETC.	I-35
DIST COUNTY			SHEET NO.
AUS	TRAVIS		906



NO.	DATE	REVISION	APPR BY



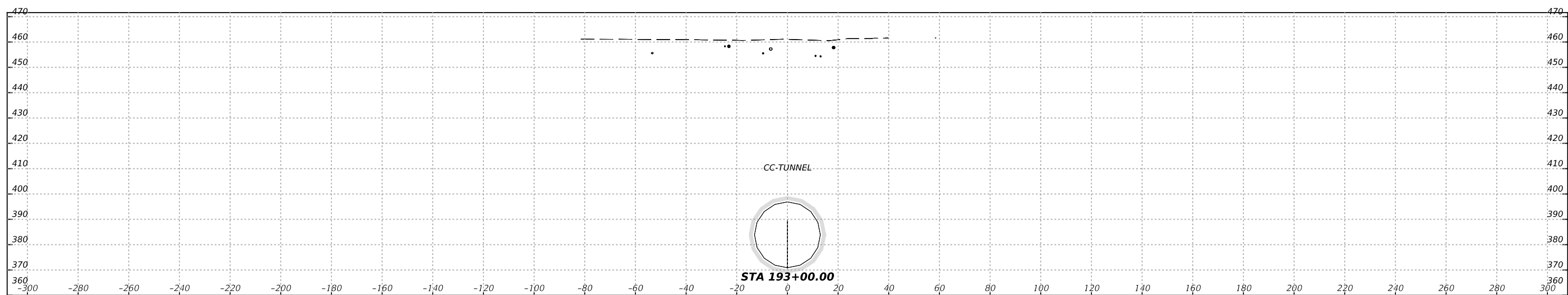
HDR Engineering, Inc.  
 Firm Registration No. F-754  
 710 Hester Crossing, Suite 150  
 Round Rock, Texas 78681



CAPITAL EXPRESS CENTRAL  
 Ç CESAR CHAVEZ TUNNEL  
 STA 192+50.00

SCALE: HORIZ: 1"=40'  
 VERT: 1"=40'

CONT	SECT	JOB	HIGHWAY
0015	13	433, ETC.	I-35
DIST	COUNTY		SHEET NO.
AUS	TRAVIS		907



NO.	DATE	REVISION	APPR BY



HDR Engineering, Inc.  
 Firm Registration No. F-754  
 710 Hester Crossing, Suite 150  
 Round Rock, Texas 78681

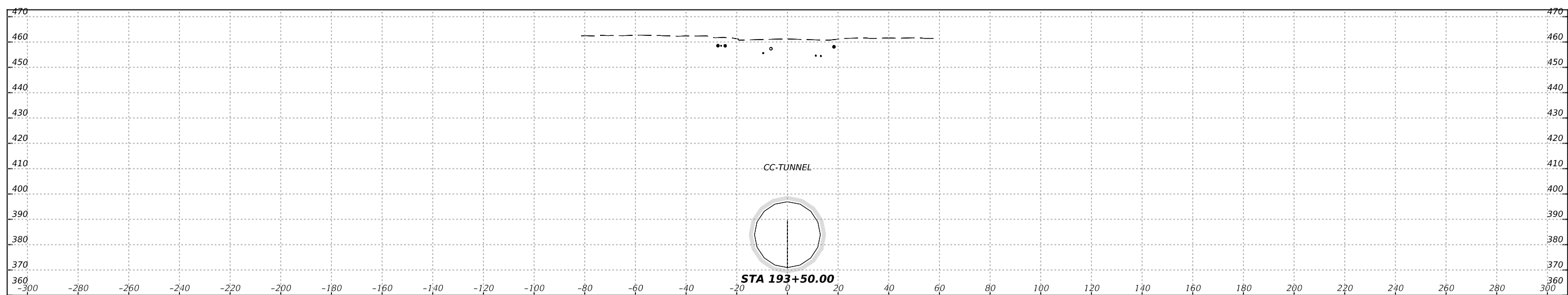


CAPITAL EXPRESS CENTRAL  
 Ç CESAR CHAVEZ TUNNEL  
 STA 193+00.00

SCALE: HORIZ: 1"=40'  
 VERT: 1"=40'

CONT	SECT	JOB	HIGHWAY
0015	13	433, ETC.	I-35
DIST COUNTY			SHEET NO.
AUS	TRAVIS		908

DN: ACF CK: DW: JD



NO.	DATE	REVISION	APPR BY



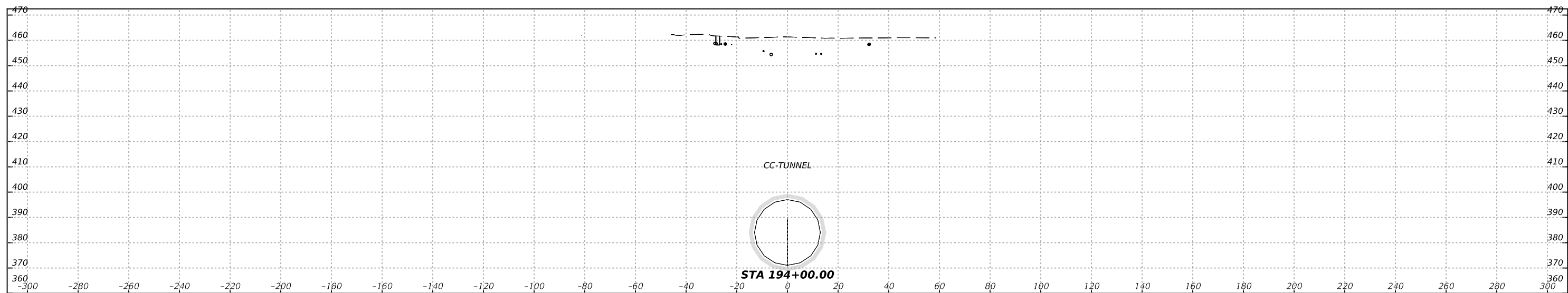
HDR Engineering, Inc.  
 Firm Registration No. F-754  
 710 Hester Crossing, Suite 150  
 Round Rock, Texas 78681



CAPITAL EXPRESS CENTRAL  
 Ç CESAR CHAVEZ TUNNEL  
 STA 193+50.00

SCALE: HORIZ: 1"=40'  
 VERT: 1"=40'

CONT	SECT	JOB	HIGHWAY
0015	13	433, ETC.	I-35
DIST			SHEET NO.
AUS	TRAVIS		909



NO.	DATE	REVISION	APPR BY



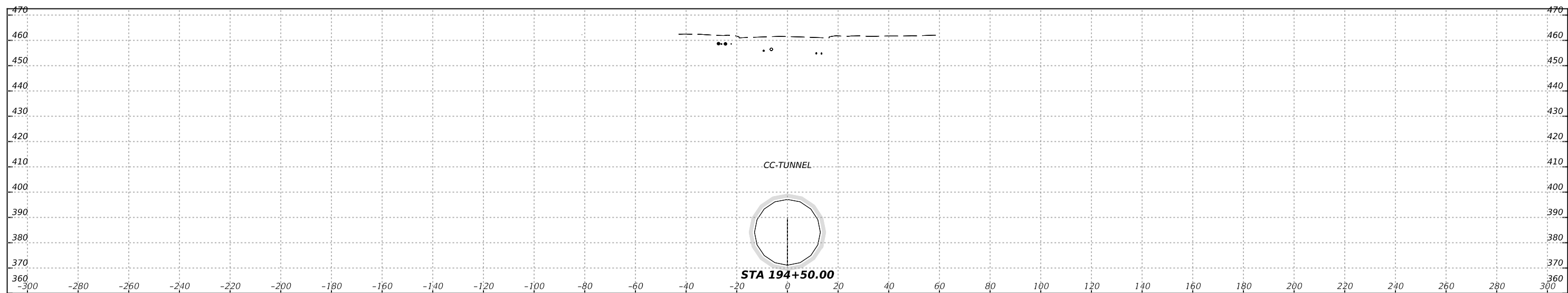
HDR Engineering, Inc.  
 Firm Registration No. F-754  
 710 Hester Crossing, Suite 150  
 Round Rock, Texas 78681



CAPITAL EXPRESS CENTRAL  
 Ç CESAR CHAVEZ TUNNEL  
 STA 194+00.00

SCALE: HORIZ: 1"=40'  
 VERT: 1"=40'

CONT	SECT	JOB	HIGHWAY
0015	13	433, ETC.	I-35
DIST			SHEET NO.
AUS	TRAVIS		910



NO.	DATE	REVISION	APPR BY



HDR Engineering, Inc.  
 Firm Registration No. F-754  
 710 Hester Crossing, Suite 150  
 Round Rock, Texas 78681

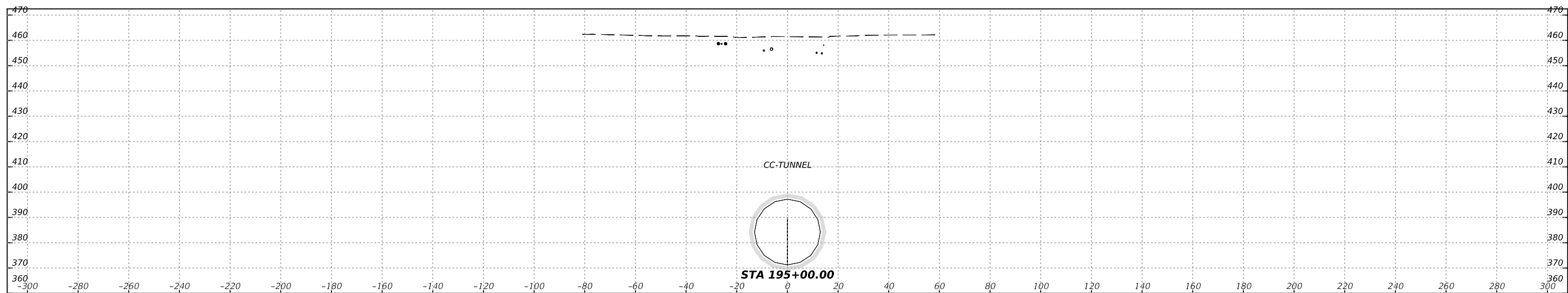


CAPITAL EXPRESS CENTRAL  
 Ç CESAR CHAVEZ TUNNEL  
 STA 194+50.00

SCALE: HORIZ: 1"=40'  
 VERT: 1"=40'

CONT	SECT	JOB	HIGHWAY
0015	13	433, ETC.	I-35
DIST	COUNTY		SHEET NO.
AUS	TRAVIS		911





NO.	DATE	REVISION	APPR BY



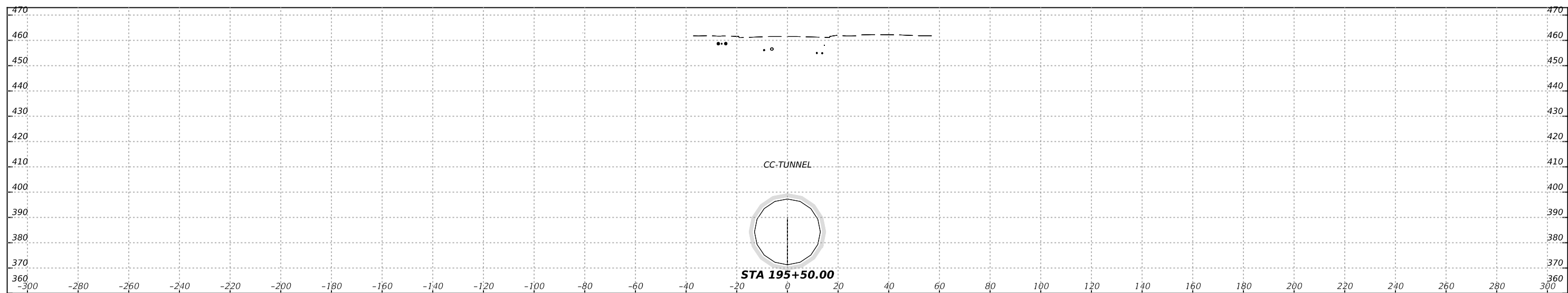
HDR Engineering, Inc.  
 Firm Registration No. F-754  
 710 Hester Crossing, Suite 150  
 Round Rock, Texas 78681



CAPITAL EXPRESS CENTRAL  
 Ç CESAR CHAVEZ TUNNEL  
 STA 195+00.00

SCALE: HORIZ: 1"=40'  
 VERT: 1"=40'

CONT	SECT	JOB	HIGHWAY
0015	13	433, ETC.	I-35
DIST		COUNTY	SHEET NO.
AUS		TRAVIS	912



NO.	DATE	REVISION	APPR BY



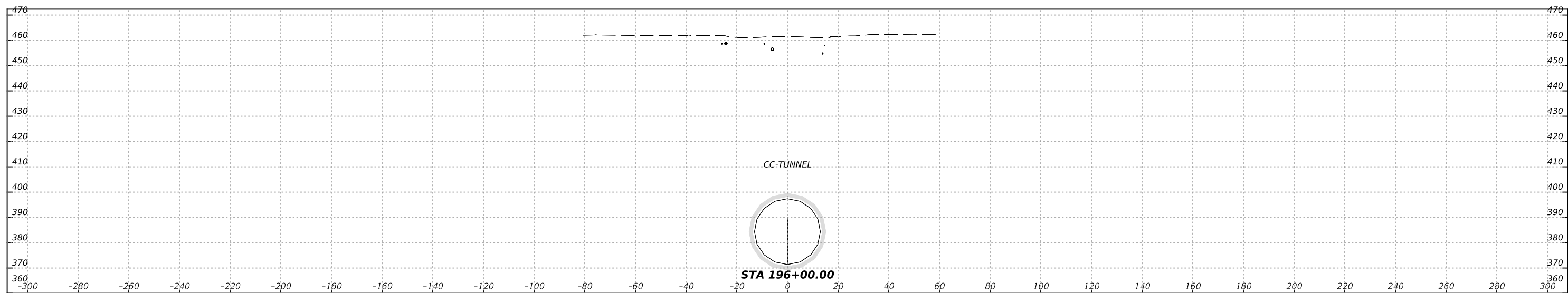
HDR Engineering, Inc.  
 Firm Registration No. F-754  
 710 Hester Crossing, Suite 150  
 Round Rock, Texas 78681



CAPITAL EXPRESS CENTRAL  
 Ç CESAR CHAVEZ TUNNEL  
 STA 195+50.00

SCALE: HORIZ: 1"=40'  
 VERT: 1"=40'

CONT	SECT	JOB	HIGHWAY
0015	13	433, ETC.	I-35
DIST	COUNTY		SHEET NO.
AUS	TRAVIS		913



NO.	DATE	REVISION	APPR BY



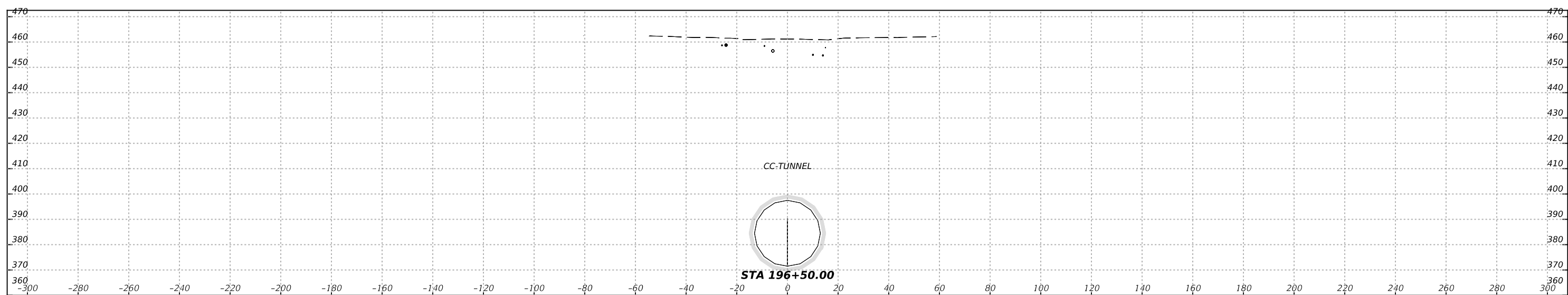
HDR Engineering, Inc.  
 Firm Registration No. F-754  
 710 Hester Crossing, Suite 150  
 Round Rock, Texas 78681



CAPITAL EXPRESS CENTRAL  
 Ç CESAR CHAVEZ TUNNEL  
 STA 196+00.00

SCALE: HORIZ: 1"=40'  
 VERT: 1"=40'

CONT	SECT	JOB	HIGHWAY
0015	13	433, ETC.	I-35
DIST	COUNTY		SHEET NO.
AUS	TRAVIS		914



NO.	DATE	REVISION	APPR BY



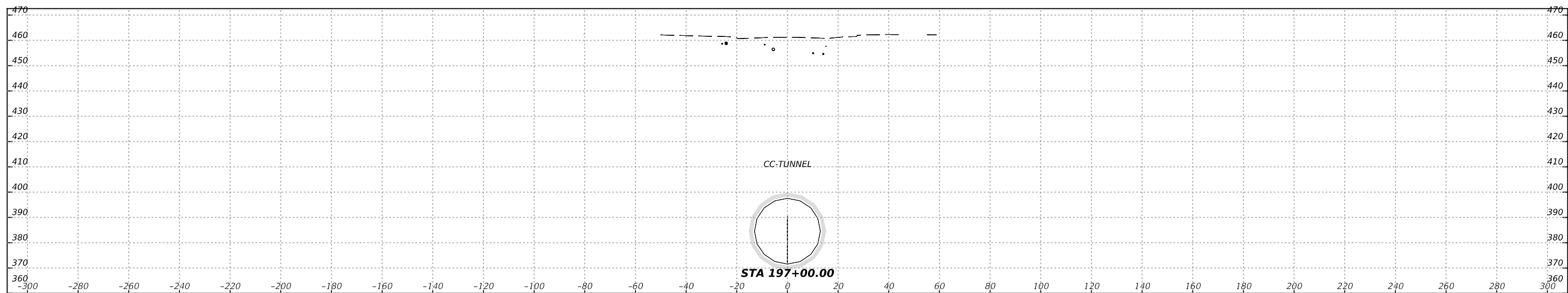
HDR Engineering, Inc.  
 Firm Registration No. F-754  
 710 Hester Crossing, Suite 150  
 Round Rock, Texas 78681



CAPITAL EXPRESS CENTRAL  
 Ç CESAR CHAVEZ TUNNEL  
 STA 196+50.00

SCALE: HORIZ: 1"=40'  
 VERT: 1"=40'

CONT	SECT	JOB	HIGHWAY
0015	13	433, ETC.	I-35
DIST	COUNTY		SHEET NO.
AUS	TRAVIS		915



NO.	DATE	REVISION	APPR BY



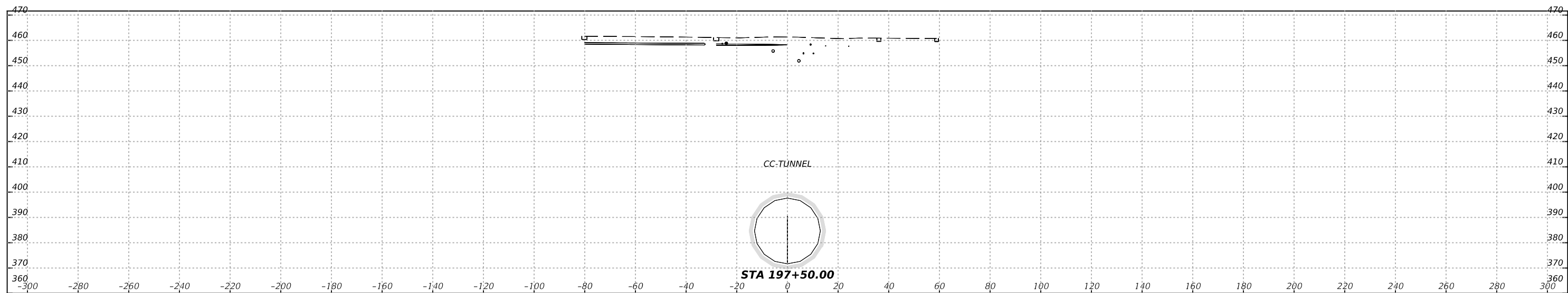
HDR Engineering, Inc.  
 Firm Registration No. F-754  
 710 Hester Crossing, Suite 150  
 Round Rock, Texas 78681



CAPITAL EXPRESS CENTRAL  
 Ç CESAR CHAVEZ TUNNEL  
 STA 197+00.00

SCALE: HORIZ: 1"=40'  
 VERT: 1"=40'

CONT	SECT	JOB	HIGHWAY
0015	13	433, ETC.	I-35
DIST	COUNTY		SHEET NO.
AUS	TRAVIS		916



NO.	DATE	REVISION	APPR BY



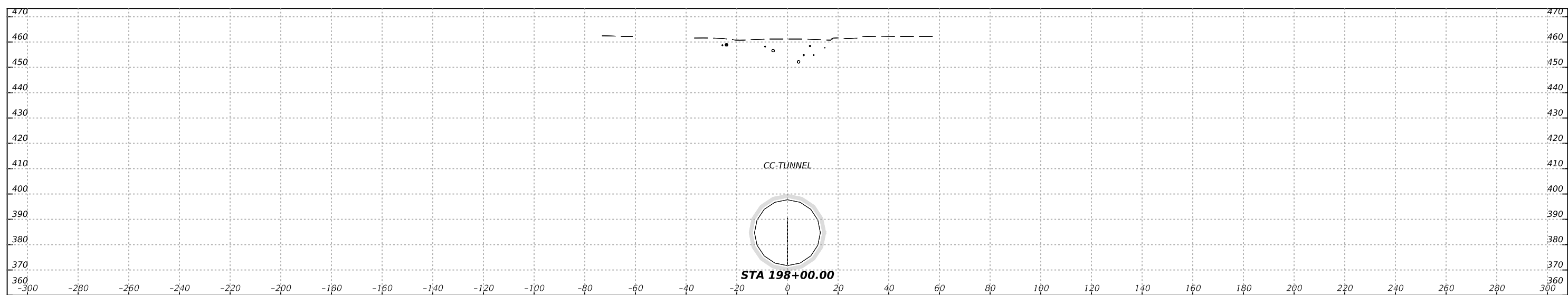
HDR Engineering, Inc.  
 Firm Registration No. F-754  
 710 Hester Crossing, Suite 150  
 Round Rock, Texas 78681



CAPITAL EXPRESS CENTRAL  
 Ç CESAR CHAVEZ TUNNEL  
 STA 197+50.00

SCALE: HORIZ: 1"=40'  
 VERT: 1"=40'

CONT	SECT	JOB	HIGHWAY
0015	13	433, ETC.	I-35
DIST			COUNTY
AUS			TRAVIS
SHEET NO.			917



NO.	DATE	REVISION	APPR BY



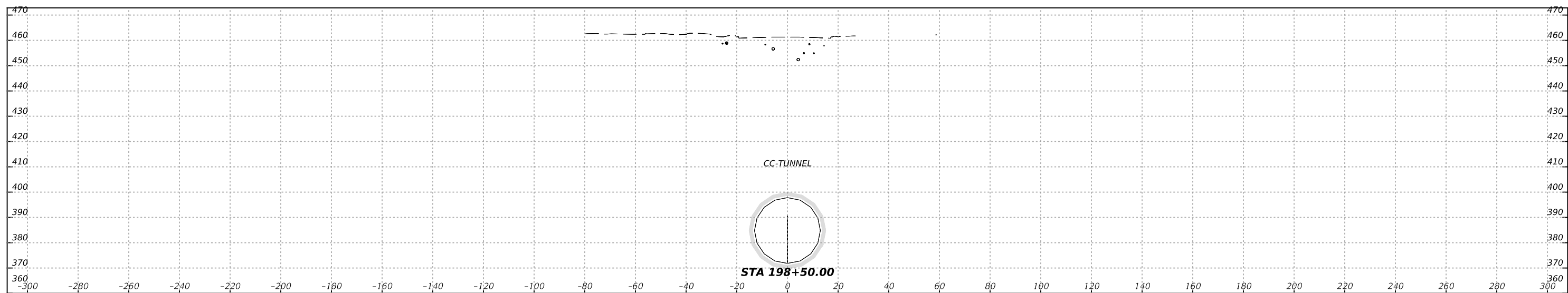
HDR Engineering, Inc.  
 Firm Registration No. F-754  
 710 Hester Crossing, Suite 150  
 Round Rock, Texas 78681



CAPITAL EXPRESS CENTRAL  
 Ç CESAR CHAVEZ TUNNEL  
 STA 198+00.00

SCALE: HORIZ: 1"=40'  
 VERT: 1"=40'

CONT	SECT	JOB	HIGHWAY
0015	13	433, ETC.	I-35
DIST	COUNTY		SHEET NO.
AUS	TRAVIS		918



NO.	DATE	REVISION	APPR BY



HDR Engineering, Inc.  
 Firm Registration No. F-754  
 710 Hester Crossing, Suite 150  
 Round Rock, Texas 78681

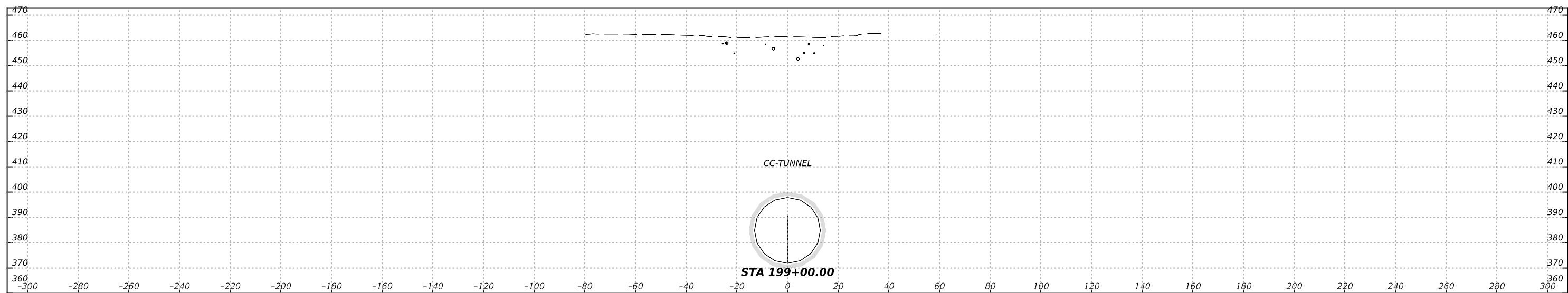


CAPITAL EXPRESS CENTRAL  
 Ç CESAR CHAVEZ TUNNEL  
 STA 198+50.00

SCALE: HORIZ: 1"=40'  
 VERT: 1"=40'

CONT	SECT	JOB	HIGHWAY
0015	13	433, ETC.	I-35
DIST	COUNTY		SHEET NO.
AUS	TRAVIS		919





NO.	DATE	REVISION	APPR BY



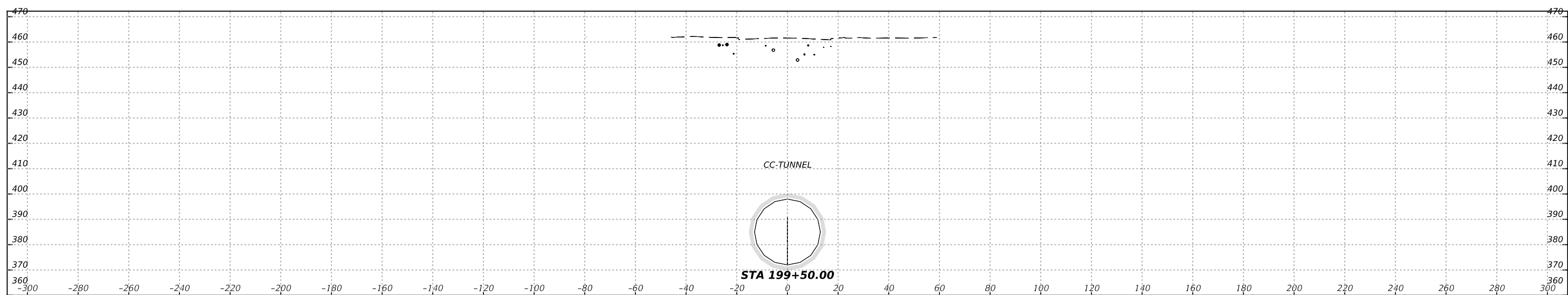
HDR Engineering, Inc.  
 Firm Registration No. F-754  
 710 Hester Crossing, Suite 150  
 Round Rock, Texas 78681



CAPITAL EXPRESS CENTRAL  
 Ç CESAR CHAVEZ TUNNEL  
 STA 199+00.00

SCALE: HORIZ: 1"=40'  
 VERT: 1"=40'

CONT	SECT	JOB	HIGHWAY
0015	13	433, ETC.	I-35
DIST			SHEET NO.
AUS	TRAVIS		920



NO.	DATE	REVISION	APPR BY



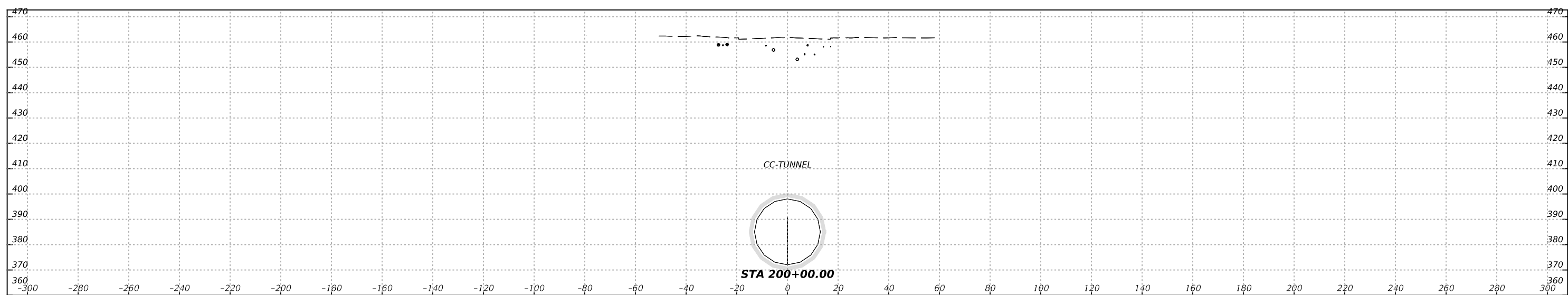
HDR Engineering, Inc.  
 Firm Registration No. F-754  
 710 Hester Crossing, Suite 150  
 Round Rock, Texas 78681



CAPITAL EXPRESS CENTRAL  
 Ç CESAR CHAVEZ TUNNEL  
 STA 199+50.00

SCALE: HORIZ: 1"=40'  
 VERT: 1"=40'

CONT	SECT	JOB	HIGHWAY
0015	13	433, ETC.	I-35
DIST		COUNTY	SHEET NO.
AUS		TRAVIS	921



NO.	DATE	REVISION	APPR BY



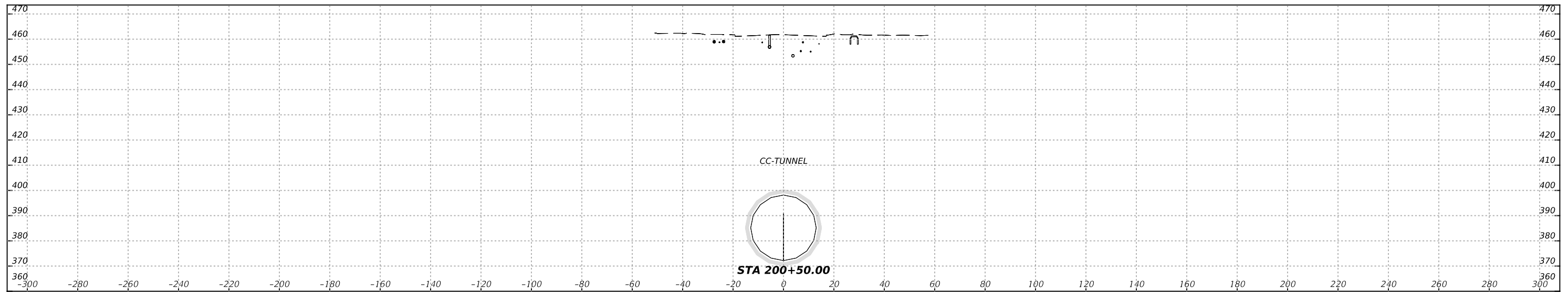
HDR Engineering, Inc.  
 Firm Registration No. F-754  
 710 Hester Crossing, Suite 150  
 Round Rock, Texas 78681



CAPITAL EXPRESS CENTRAL  
 Ç CESAR CHAVEZ TUNNEL  
 STA 200+00.00

SCALE: HORIZ: 1"=40'  
 VERT: 1"=40'

CONT	SECT	JOB	HIGHWAY
0015	13	433, ETC.	I-35
DIST			SHEET NO.
AUS	TRAVIS		922



NO.	DATE	REVISION	APPR BY



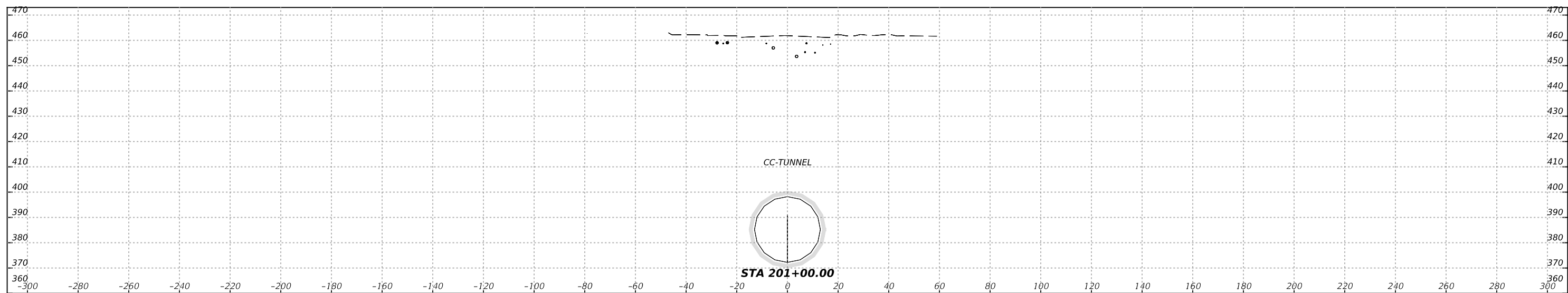
HDR Engineering, Inc.  
 Firm Registration No. F-754  
 710 Hester Crossing, Suite 150  
 Round Rock, Texas 78681



CAPITAL EXPRESS CENTRAL  
 Ç CESAR CHAVEZ TUNNEL  
 STA 200+50.00

SCALE: HORIZ: 1"=40'  
 VERT: 1"=40'

CONT	SECT	JOB	HIGHWAY
0015	13	433, ETC.	I-35
DIST	COUNTY		SHEET NO.
AUS	TRAVIS		923



NO.	DATE	REVISION	APPR BY



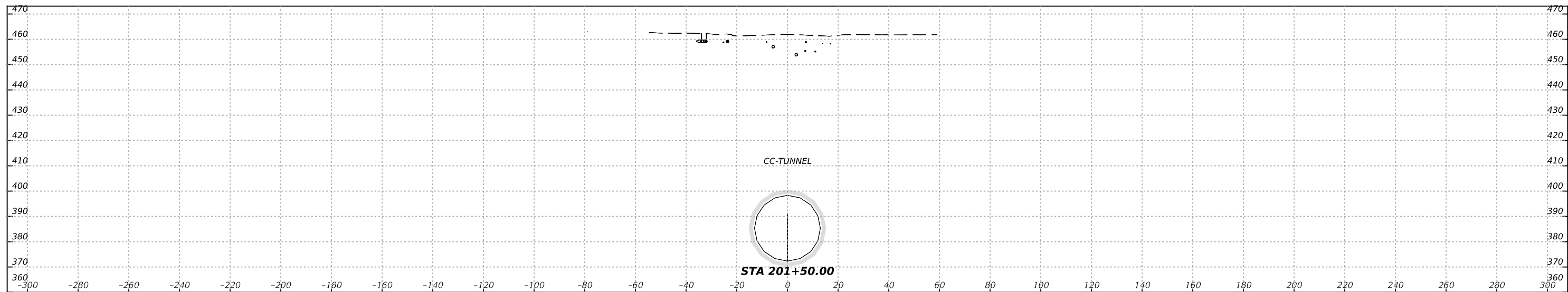
HDR Engineering, Inc.  
 Firm Registration No. F-754  
 710 Hester Crossing, Suite 150  
 Round Rock, Texas 78681



CAPITAL EXPRESS CENTRAL  
 Ç CESAR CHAVEZ TUNNEL  
 STA 201+00.00

SCALE: HORIZ: 1"=40'  
 VERT: 1"=40'

CONT	SECT	JOB	HIGHWAY
0015	13	433, ETC.	I-35
DIST			SHEET NO.
AUS	TRAVIS		924



NO.	DATE	REVISION	APPR BY



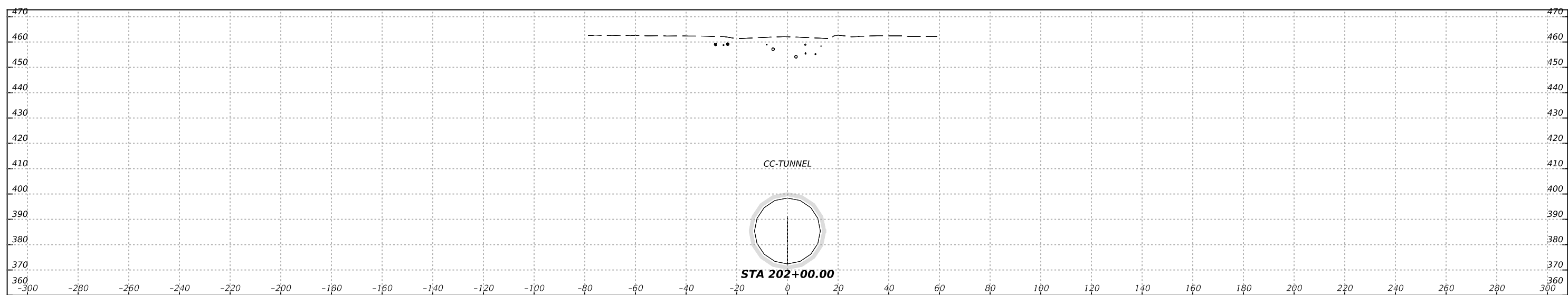
HDR Engineering, Inc.  
 Firm Registration No. F-754  
 710 Hester Crossing, Suite 150  
 Round Rock, Texas 78681



CAPITAL EXPRESS CENTRAL  
 Ç CESAR CHAVEZ TUNNEL  
 STA 201+50.00

SCALE: HORIZ: 1"=40'  
 VERT: 1"=40'

CONT	SECT	JOB	HIGHWAY
0015	13	433, ETC.	I-35
DIST	COUNTY		SHEET NO.
AUS	TRAVIS		925



NO.	DATE	REVISION	APPR BY



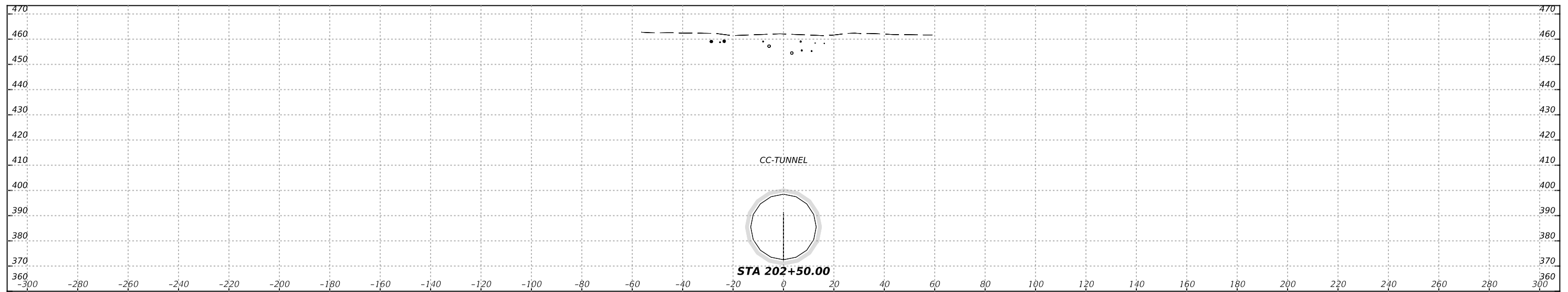
HDR Engineering, Inc.  
 Firm Registration No. F-754  
 710 Hester Crossing, Suite 150  
 Round Rock, Texas 78681



CAPITAL EXPRESS CENTRAL  
 Ç CESAR CHAVEZ TUNNEL  
 STA 202+00.00

SCALE: HORIZ: 1"=40'  
 VERT: 1"=40'

CONT	SECT	JOB	HIGHWAY
0015	13	433, ETC.	I-35
DIST			COUNTY
AUS			TRAVIS
SHEET NO.			926



NO.	DATE	REVISION	APPR BY



HDR Engineering, Inc.  
 Firm Registration No. F-754  
 710 Hester Crossing, Suite 150  
 Round Rock, Texas 78681

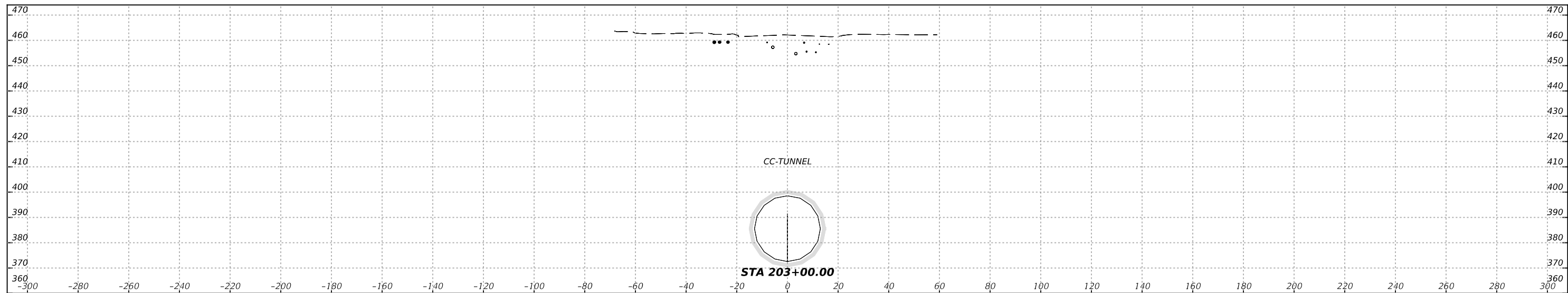


CAPITAL EXPRESS CENTRAL  
 Ç CESAR CHAVEZ TUNNEL  
 STA 202+50.00

SCALE: HORIZ: 1"=40'  
 VERT: 1"=40'

CONT	SECT	JOB	HIGHWAY
0015	13	433, ETC.	I-35
DIST	COUNTY		SHEET NO.
AUS	TRAVIS		927





NO.	DATE	REVISION	APPR BY



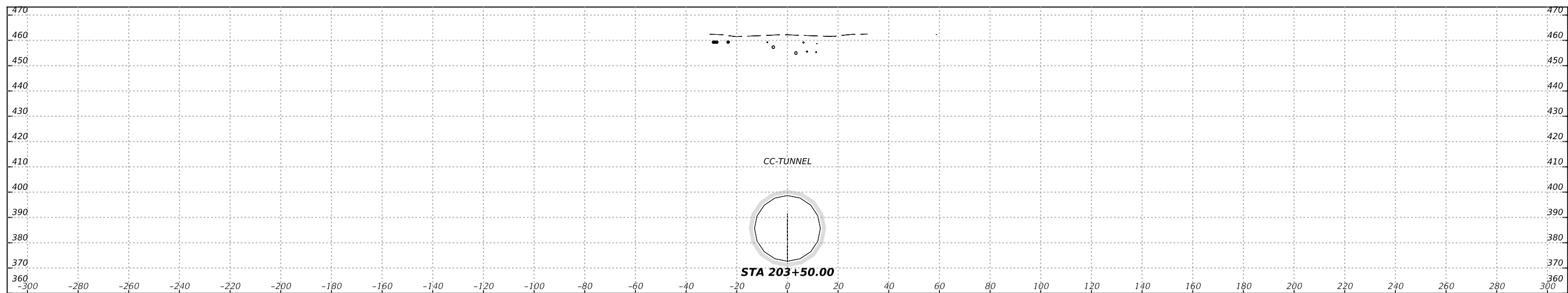
HDR Engineering, Inc.  
 Firm Registration No. F-754  
 710 Hester Crossing, Suite 150  
 Round Rock, Texas 78681



CAPITAL EXPRESS CENTRAL  
 Ç CESAR CHAVEZ TUNNEL  
 STA 203+00.00

SCALE: HORIZ: 1"=40'  
 VERT: 1"=40'

CONT	SECT	JOB	HIGHWAY
0015	13	433, ETC.	I-35
DIST	COUNTY		SHEET NO.
AUS	TRAVIS		928



NO.	DATE	REVISION	APPR BY



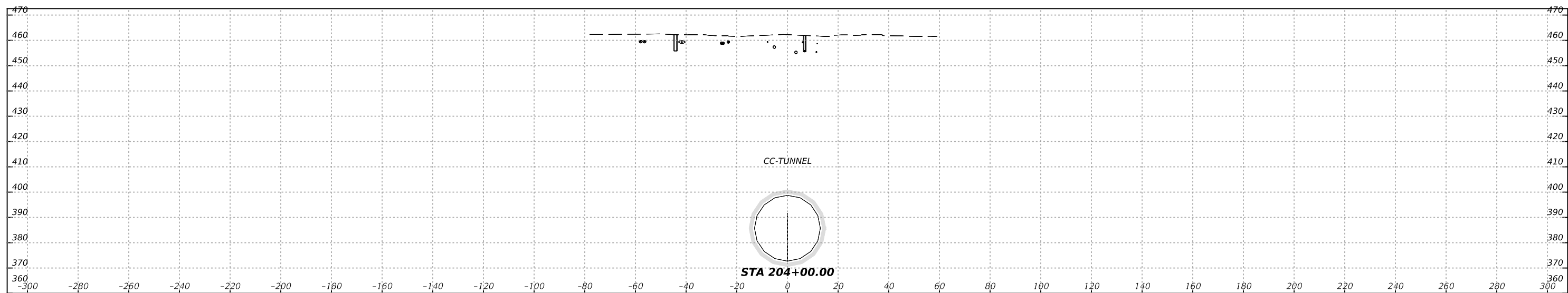
HDR Engineering, Inc.  
 Firm Registration No. F-754  
 710 Hester Crossing, Suite 150  
 Round Rock, Texas 78681



CAPITAL EXPRESS CENTRAL  
 Ç CESAR CHAVEZ TUNNEL  
 STA 203+50.00

SCALE: HORIZ: 1"=40'  
 VERT: 1"=40'

CONT	SECT	JOB	HIGHWAY
0015	13	433, ETC.	I-35
DIST	COUNTY		SHEET NO.
AUS	TRAVIS		929



NO.	DATE	REVISION	APPR BY



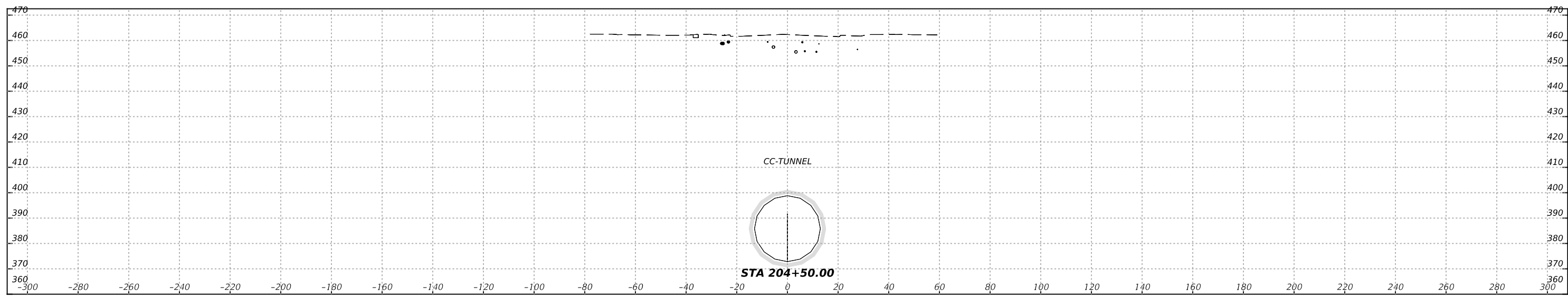
HDR Engineering, Inc.  
 Firm Registration No. F-754  
 710 Hester Crossing, Suite 150  
 Round Rock, Texas 78681



CAPITAL EXPRESS CENTRAL  
 Ç CESAR CHAVEZ TUNNEL  
 STA 204+00.00

SCALE: HORIZ: 1"=40'  
 VERT: 1"=40'

CONT	SECT	JOB	HIGHWAY
0015	13	433, ETC.	I-35
DIST	COUNTY		SHEET NO.
AUS	TRAVIS		930



NO.	DATE	REVISION	APPR BY



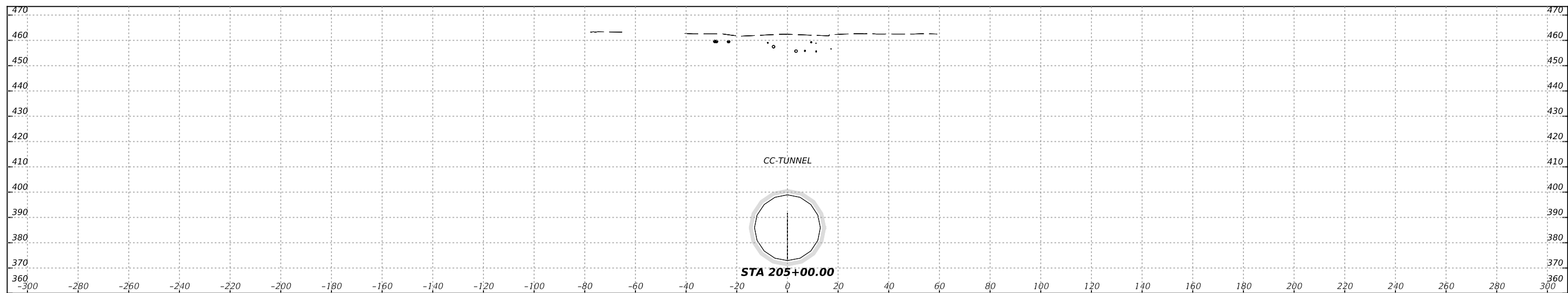
HDR Engineering, Inc.  
 Firm Registration No. F-754  
 710 Hester Crossing, Suite 150  
 Round Rock, Texas 78681



CAPITAL EXPRESS CENTRAL  
 Ç CESAR CHAVEZ TUNNEL  
 STA 204+50.00

SCALE: HORIZ: 1"=40'  
 VERT: 1"=40'

CONT	SECT	JOB	HIGHWAY
0015	13	433, ETC.	I-35
DIST			SHEET NO.
AUS	TRAVIS		931



NO.	DATE	REVISION	APPR BY



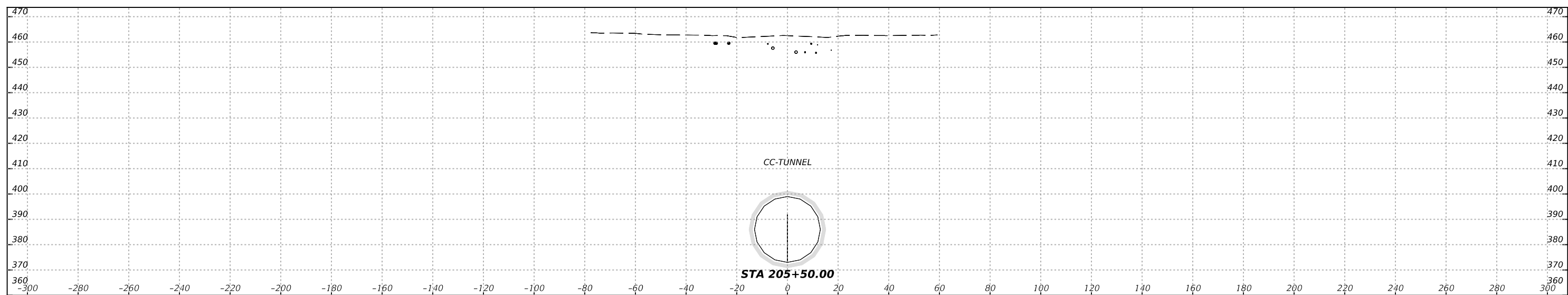
HDR Engineering, Inc.  
 Firm Registration No. F-754  
 710 Hester Crossing, Suite 150  
 Round Rock, Texas 78681



CAPITAL EXPRESS CENTRAL  
 Ç CESAR CHAVEZ TUNNEL  
 STA 205+00.00

SCALE: HORIZ: 1"=40'  
 VERT: 1"=40'

CONT	SECT	JOB	HIGHWAY
0015	13	433, ETC.	I-35
DIST	COUNTY		SHEET NO.
AUS	TRAVIS		932



NO.	DATE	REVISION	APPR BY



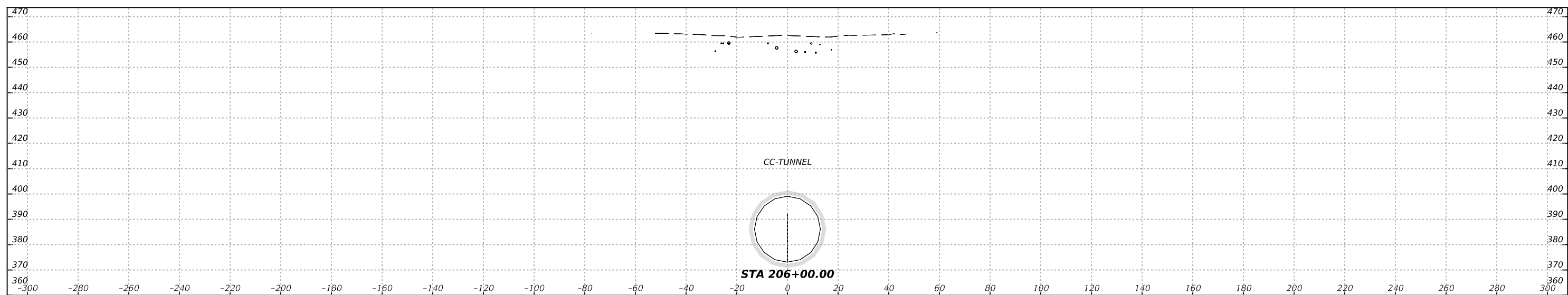
HDR Engineering, Inc.  
 Firm Registration No. F-754  
 710 Hester Crossing, Suite 150  
 Round Rock, Texas 78681



CAPITAL EXPRESS CENTRAL  
 Ç CESAR CHAVEZ TUNNEL  
 STA 205+50.00

SCALE: HORIZ: 1"=40'  
 VERT: 1"=40'

CONT	SECT	JOB	HIGHWAY
0015	13	433, ETC.	I-35
DIST	COUNTY		SHEET NO.
AUS	TRAVIS		933



NO.	DATE	REVISION	APPR BY



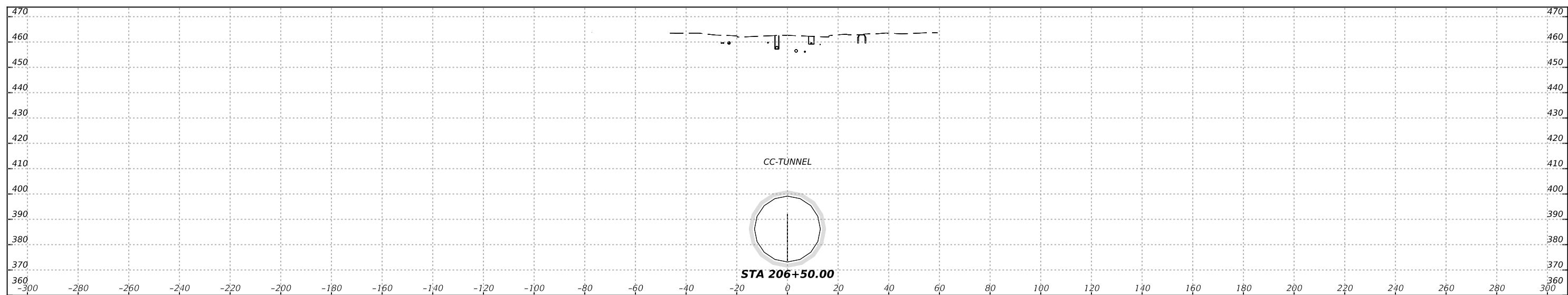
HDR Engineering, Inc.  
 Firm Registration No. F-754  
 710 Hester Crossing, Suite 150  
 Round Rock, Texas 78681



CAPITAL EXPRESS CENTRAL  
 Ç CESAR CHAVEZ TUNNEL  
 STA 206+00.00

SCALE: HORIZ: 1"=40'  
 VERT: 1"=40'

CONT	SECT	JOB	HIGHWAY
0015	13	433, ETC.	I-35
DIST			SHEET NO.
AUS	TRAVIS		934



NO.	DATE	REVISION	APPR BY



HDR Engineering, Inc.  
 Firm Registration No. F-754  
 710 Hester Crossing, Suite 150  
 Round Rock, Texas 78681

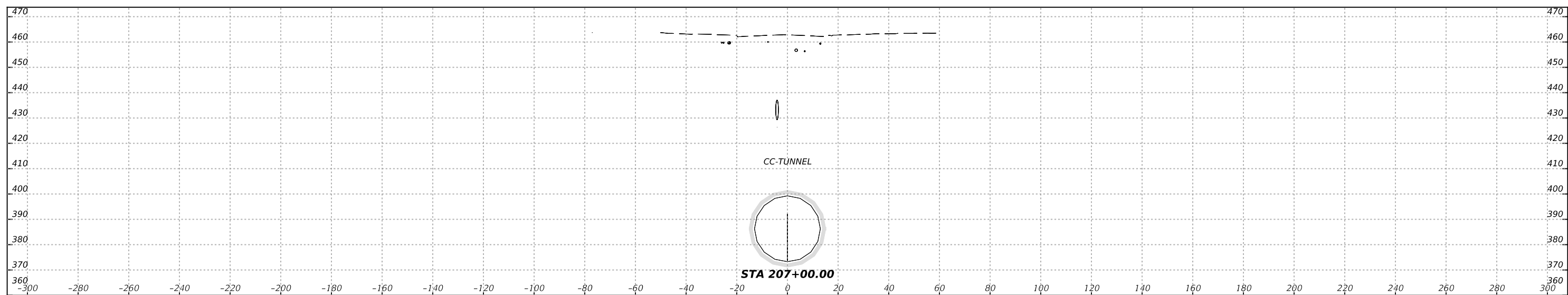


CAPITAL EXPRESS CENTRAL  
 Ç CESAR CHAVEZ TUNNEL  
 STA 206+50.00

SCALE: HORIZ: 1"=40'  
 VERT: 1"=40'

CONT	SECT	JOB	HIGHWAY
0015	13	433, ETC.	I-35
DIST	COUNTY		SHEET NO.
AUS	TRAVIS		935





NO.	DATE	REVISION	APPR BY



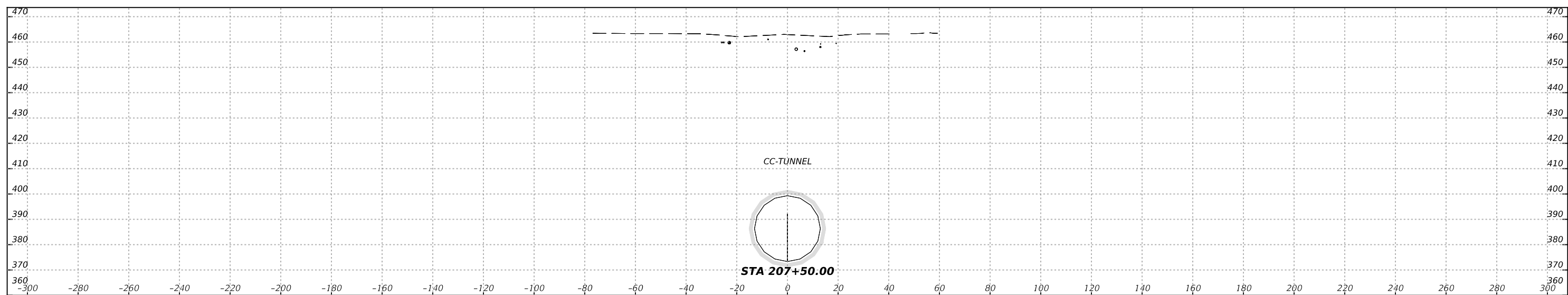
HDR Engineering, Inc.  
 Firm Registration No. F-754  
 710 Hester Crossing, Suite 150  
 Round Rock, Texas 78681



CAPITAL EXPRESS CENTRAL  
 Ç CESAR CHAVEZ TUNNEL  
 STA 207+00.00

SCALE: HORIZ: 1"=40'  
 VERT: 1"=40'

CONT	SECT	JOB	HIGHWAY
0015	13	433, ETC.	I-35
DIST	COUNTY		SHEET NO.
AUS	TRAVIS		936



NO.	DATE	REVISION	APPR BY



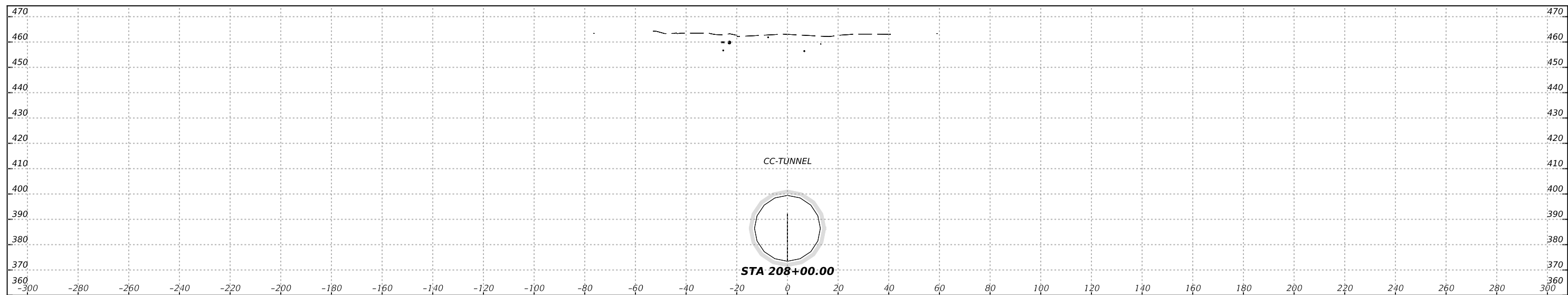
HDR Engineering, Inc.  
 Firm Registration No. F-754  
 710 Hester Crossing, Suite 150  
 Round Rock, Texas 78681



CAPITAL EXPRESS CENTRAL  
 Ç CESAR CHAVEZ TUNNEL  
 STA 207+50.00

SCALE: HORIZ: 1"=40'  
 VERT: 1"=40'

CONT	SECT	JOB	HIGHWAY
0015	13	433, ETC.	I-35
DIST			SHEET NO.
AUS	TRAVIS		937



NO.	DATE	REVISION	APPR BY



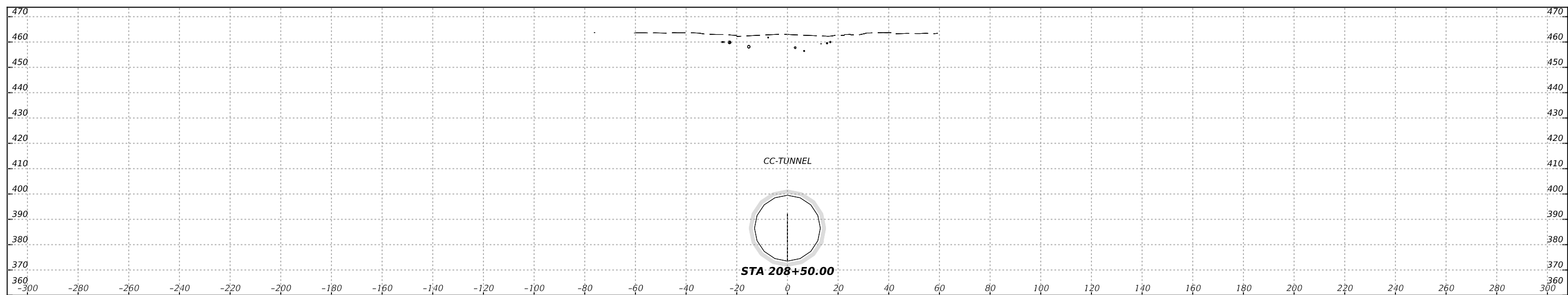
HDR Engineering, Inc.  
 Firm Registration No. F-754  
 710 Hester Crossing, Suite 150  
 Round Rock, Texas 78681



CAPITAL EXPRESS CENTRAL  
 Ç CESAR CHAVEZ TUNNEL  
 STA 208+00.00

SCALE: HORIZ: 1"=40'  
 VERT: 1"=40'

CONT	SECT	JOB	HIGHWAY
0015	13	433, ETC.	I-35
DIST	COUNTY		SHEET NO.
AUS	TRAVIS		938



NO.	DATE	REVISION	APPR BY



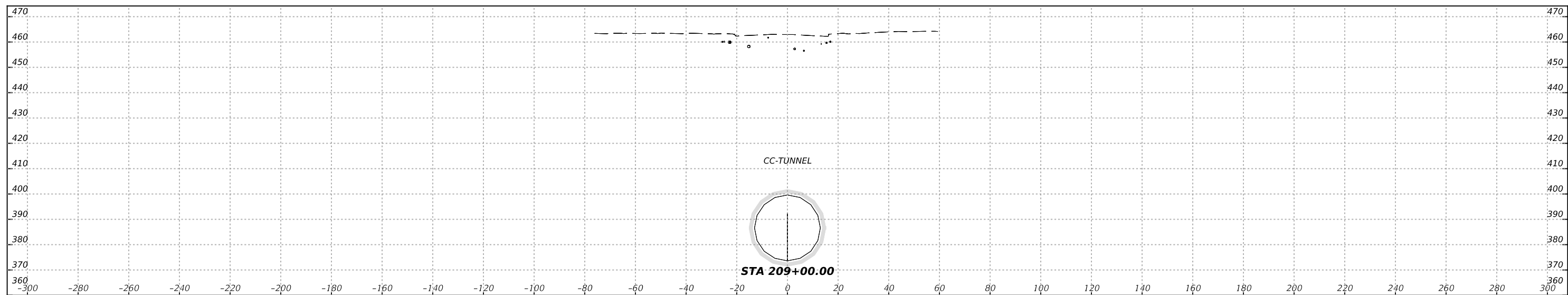
HDR Engineering, Inc.  
 Firm Registration No. F-754  
 710 Hester Crossing, Suite 150  
 Round Rock, Texas 78681



CAPITAL EXPRESS CENTRAL  
 Ç CESAR CHAVEZ TUNNEL  
 STA 208+50.00

SCALE: HORIZ: 1"=40'  
 VERT: 1"=40'

CONT	SECT	JOB	HIGHWAY
0015	13	433, ETC.	I-35
DIST			COUNTY
AUS			TRAVIS
SHEET NO.			939



NO.	DATE	REVISION	APPR BY



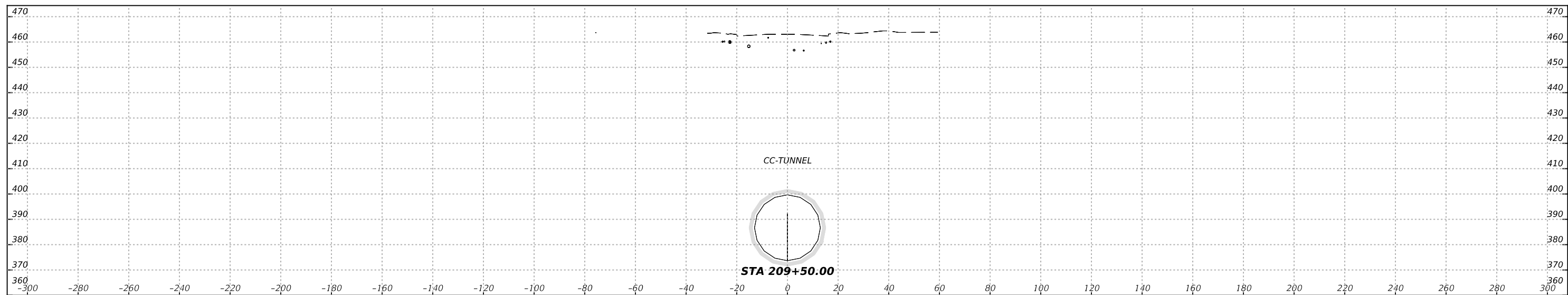
HDR Engineering, Inc.  
 Firm Registration No. F-754  
 710 Hester Crossing, Suite 150  
 Round Rock, Texas 78681



CAPITAL EXPRESS CENTRAL  
 Ç CESAR CHAVEZ TUNNEL  
 STA 209+00.00

SCALE: HORIZ: 1"=40'  
 VERT: 1"=40'

CONT	SECT	JOB	HIGHWAY
0015	13	433, ETC.	I-35
DIST	COUNTY		SHEET NO.
AUS	TRAVIS		940



NO.	DATE	REVISION	APPR BY



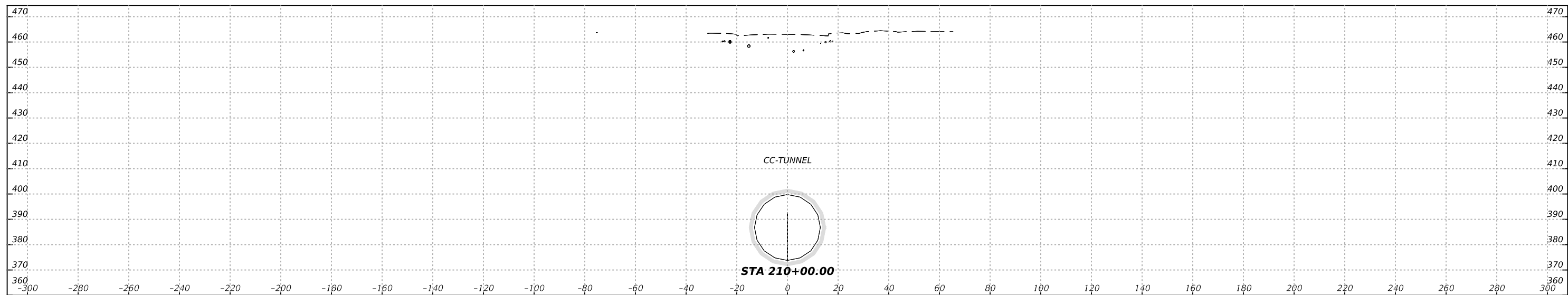
HDR Engineering, Inc.  
 Firm Registration No. F-754  
 710 Hester Crossing, Suite 150  
 Round Rock, Texas 78681



CAPITAL EXPRESS CENTRAL  
 Ç CESAR CHAVEZ TUNNEL  
 STA 209+50.00

SCALE: HORIZ: 1"=40'  
 VERT: 1"=40'

CONT	SECT	JOB	HIGHWAY
0015	13	433, ETC.	I-35
DIST			COUNTY
AUS			TRAVIS
SHEET NO.			941



NO.	DATE	REVISION	APPR BY



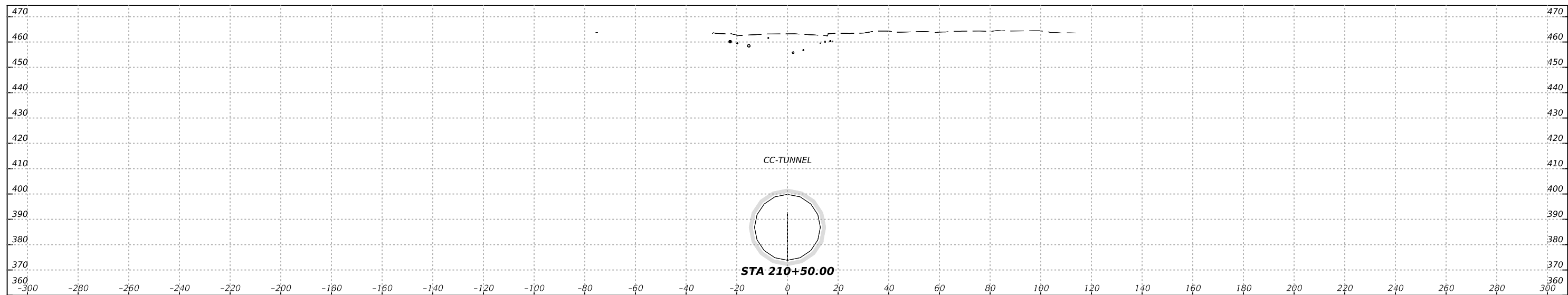
HDR Engineering, Inc.  
 Firm Registration No. F-754  
 710 Hester Crossing, Suite 150  
 Round Rock, Texas 78681



CAPITAL EXPRESS CENTRAL  
 Ç CESAR CHAVEZ TUNNEL  
 STA 210+00.00

SCALE: HORIZ: 1"=40'  
 VERT: 1"=40'

CONT	SECT	JOB	HIGHWAY
0015	13	433, ETC.	I-35
DIST	COUNTY		SHEET NO.
AUS	TRAVIS		942



NO.	DATE	REVISION	APPR BY



HDR Engineering, Inc.  
 Firm Registration No. F-754  
 710 Hester Crossing, Suite 150  
 Round Rock, Texas 78681

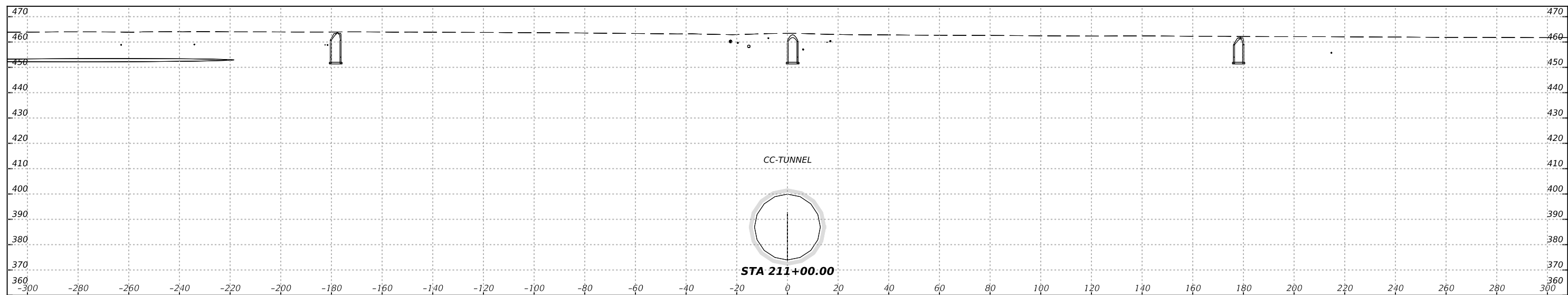


CAPITAL EXPRESS CENTRAL  
 Ç CESAR CHAVEZ TUNNEL  
 STA 210+50.00

SCALE: HORIZ: 1"=40'  
 VERT: 1"=40'

CONT	SECT	JOB	HIGHWAY
0015	13	433, ETC.	I-35
DIST			SHEET NO.
AUS	TRAVIS		943





NO.	DATE	REVISION	APPR BY



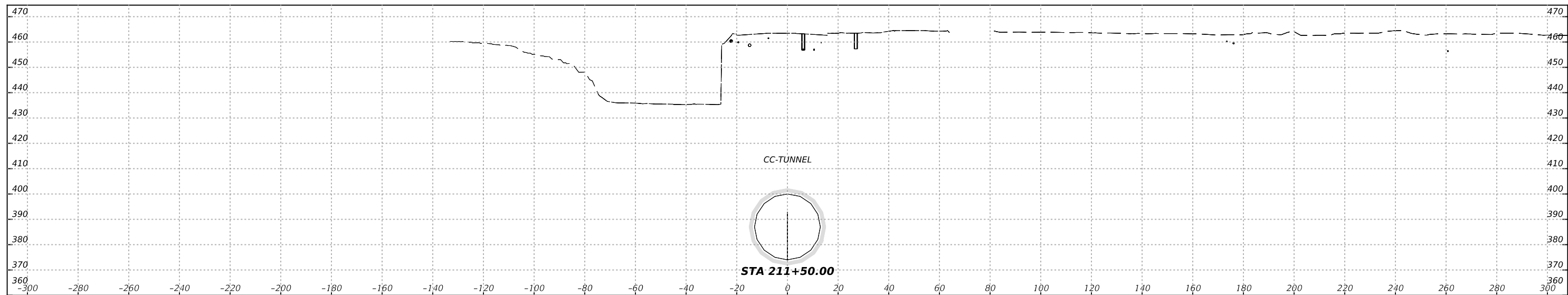
HDR Engineering, Inc.  
 Firm Registration No. F-754  
 710 Hester Crossing, Suite 150  
 Round Rock, Texas 78681



CAPITAL EXPRESS CENTRAL  
 Ç CESAR CHAVEZ TUNNEL  
 STA 211+00.00

SCALE: HORIZ: 1"=40'  
 VERT: 1"=40'

CONT	SECT	JOB	HIGHWAY
0015	13	433, ETC.	I-35
DIST COUNTY			SHEET NO.
AUS	TRAVIS	944	



NO.	DATE	REVISION	APPR BY



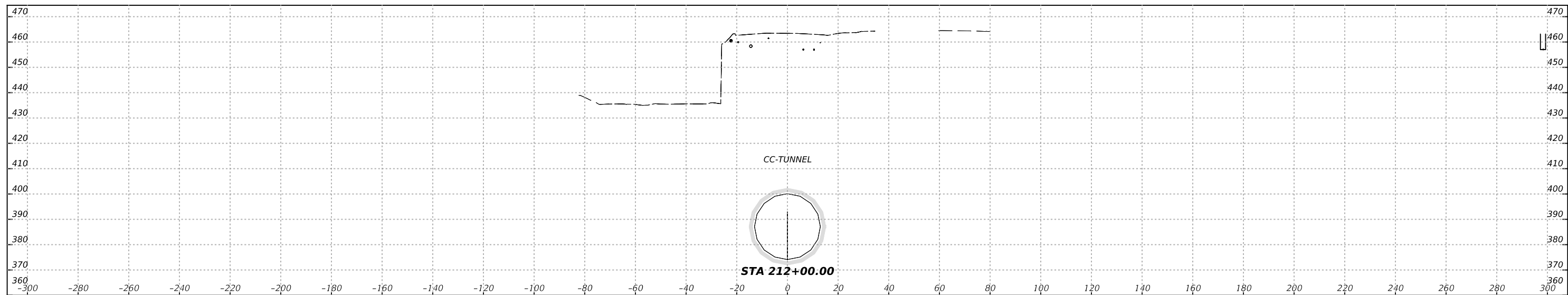
HDR Engineering, Inc.  
 Firm Registration No. F-754  
 710 Hester Crossing, Suite 150  
 Round Rock, Texas 78681



CAPITAL EXPRESS CENTRAL  
 Ç CESAR CHAVEZ TUNNEL  
 STA 211+50.00

SCALE: HORIZ: 1"=40'  
 VERT: 1"=40'

CONT	SECT	JOB	HIGHWAY
0015	13	433, ETC.	I-35
DIST COUNTY			SHEET NO.
AUS	TRAVIS	945	



NO.	DATE	REVISION	APPR BY



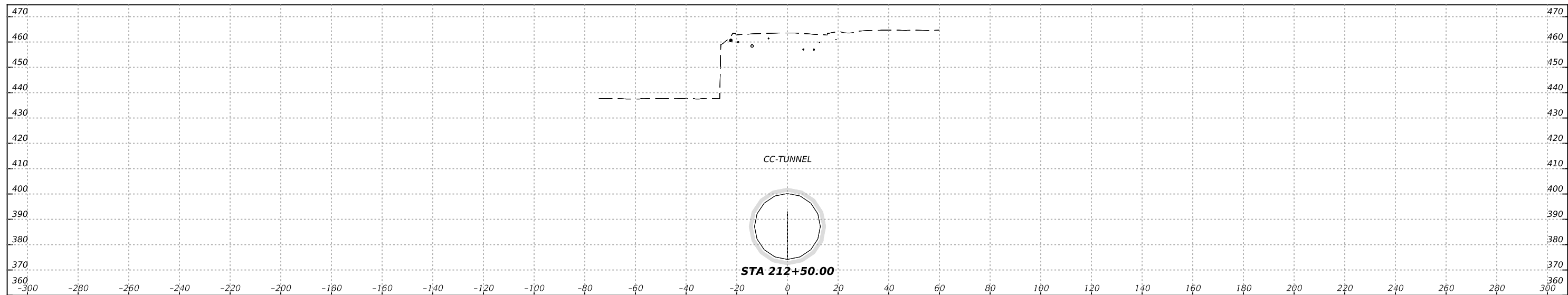
HDR Engineering, Inc.  
 Firm Registration No. F-754  
 710 Hester Crossing, Suite 150  
 Round Rock, Texas 78681



CAPITAL EXPRESS CENTRAL  
 Ç CESAR CHAVEZ TUNNEL  
 STA 212+00.00

SCALE: HORIZ: 1"=40'  
 VERT: 1"=40'

CONT	SECT	JOB	HIGHWAY
0015	13	433, ETC.	I-35
DIST COUNTY			SHEET NO.
AUS	TRAVIS		946



NO.	DATE	REVISION	APPR BY



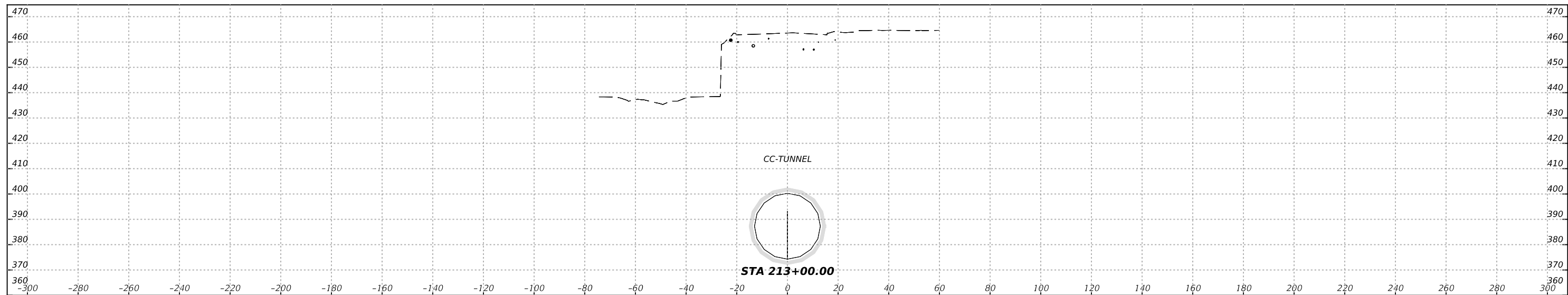
HDR Engineering, Inc.  
 Firm Registration No. F-754  
 710 Hester Crossing, Suite 150  
 Round Rock, Texas 78681



CAPITAL EXPRESS CENTRAL  
 Ç CESAR CHAVEZ TUNNEL  
 STA 212+50.00

SCALE: HORIZ: 1"=40'  
 VERT: 1"=40'

CONT	SECT	JOB	HIGHWAY
0015	13	433, ETC.	I-35
DIST	COUNTY		SHEET NO.
AUS	TRAVIS		947



NO.	DATE	REVISION	APPR BY



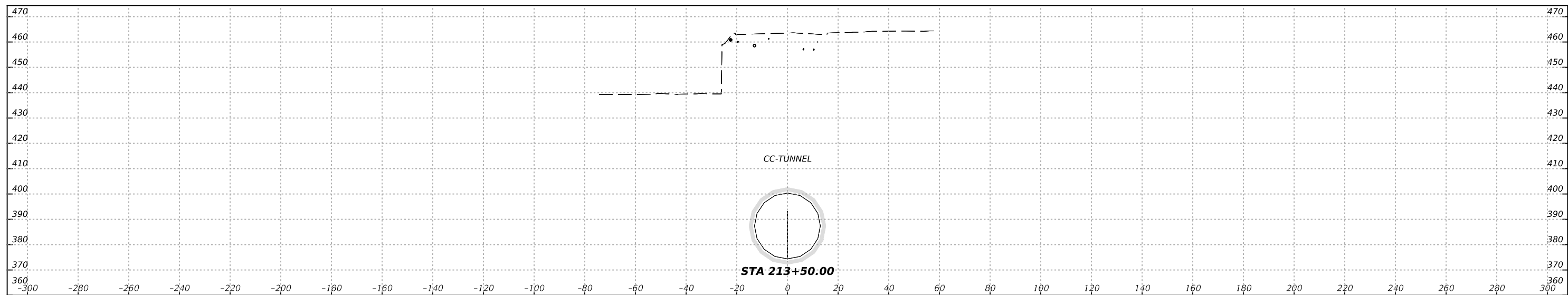
HDR Engineering, Inc.  
 Firm Registration No. F-754  
 710 Hester Crossing, Suite 150  
 Round Rock, Texas 78681



CAPITAL EXPRESS CENTRAL  
 Ç CESAR CHAVEZ TUNNEL  
 STA 213+00.00

SCALE: HORIZ: 1"=40'  
 VERT: 1"=40'

CONT	SECT	JOB	HIGHWAY
0015	13	433, ETC.	I-35
DIST	COUNTY		SHEET NO.
AUS	TRAVIS		948



NO.	DATE	REVISION	APPR BY



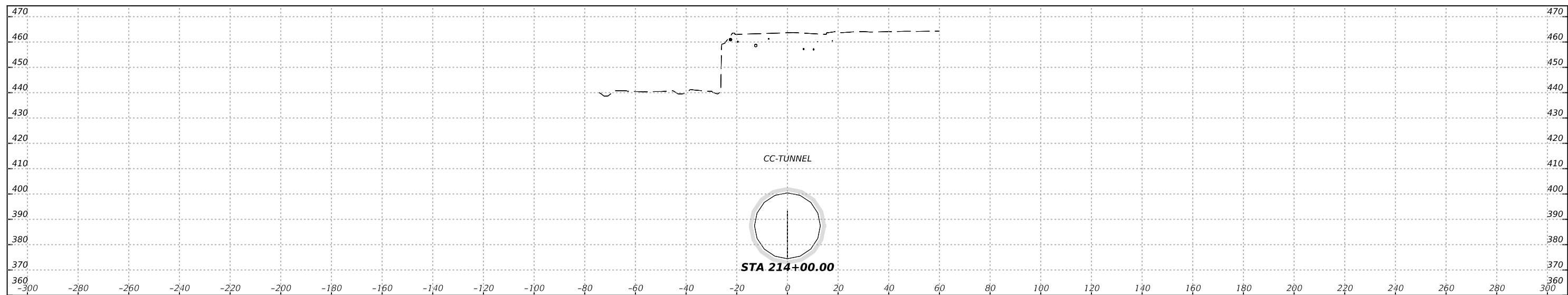
HDR Engineering, Inc.  
 Firm Registration No. F-754  
 710 Hester Crossing, Suite 150  
 Round Rock, Texas 78681



CAPITAL EXPRESS CENTRAL  
 Ç CESAR CHAVEZ TUNNEL  
 STA 213+50.00

SCALE: HORIZ: 1"=40'  
 VERT: 1"=40'

CONT	SECT	JOB	HIGHWAY
0015	13	433, ETC.	I-35
DIST			COUNTY
AUS			TRAVIS
SHEET NO.			949



NO.	DATE	REVISION	APPR BY



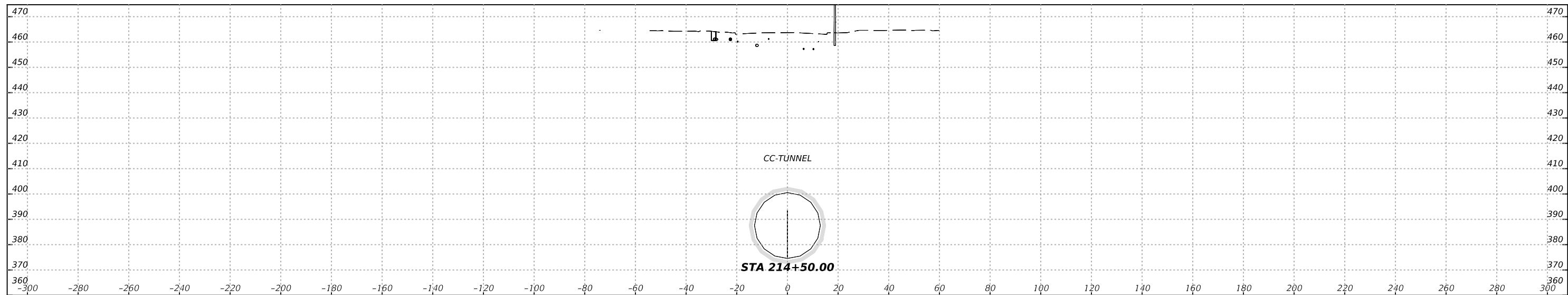
HDR Engineering, Inc.  
 Firm Registration No. F-754  
 710 Hester Crossing, Suite 150  
 Round Rock, Texas 78681



CAPITAL EXPRESS CENTRAL  
 Ç CESAR CHAVEZ TUNNEL  
 STA 214+00.00

SCALE: HORIZ: 1"=40'  
 VERT: 1"=40'

CONT	SECT	JOB	HIGHWAY
0015	13	433, ETC.	I-35
DIST	COUNTY	SHEET NO.	
AUS	TRAVIS	950	



NO.	DATE	REVISION	APPR BY



HDR Engineering, Inc.  
 Firm Registration No. F-754  
 710 Hester Crossing, Suite 150  
 Round Rock, Texas 78681

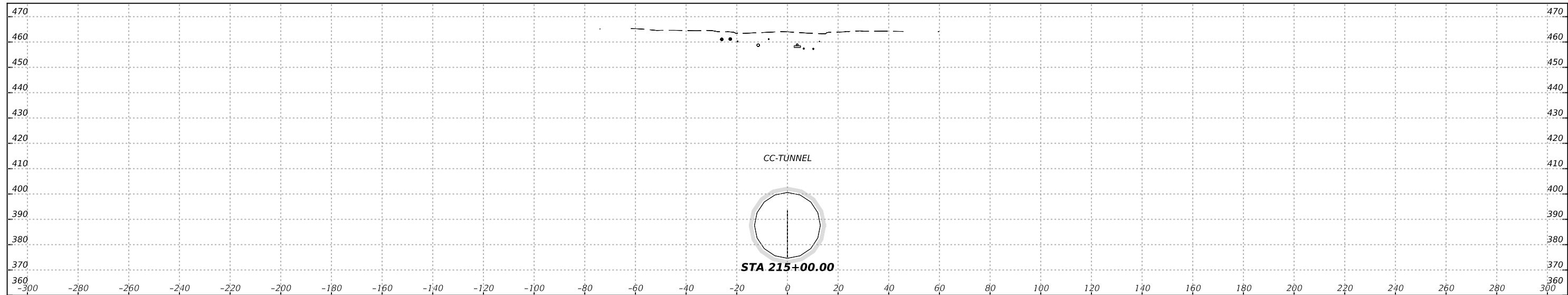


CAPITAL EXPRESS CENTRAL  
 Ç CESAR CHAVEZ TUNNEL  
 STA 214+50.00

SCALE: HORIZ: 1"=40'  
 VERT: 1"=40'

CONT	SECT	JOB	HIGHWAY
0015	13	433, ETC.	I-35
DIST			COUNTY
AUS			TRAVIS
SHEET NO.			951





NO.	DATE	REVISION	APPR BY



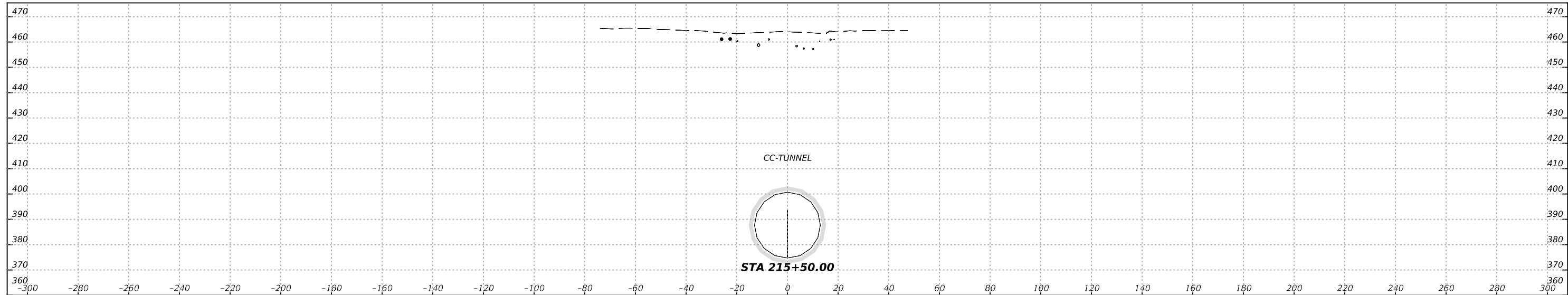
HDR Engineering, Inc.  
 Firm Registration No. F-754  
 710 Hester Crossing, Suite 150  
 Round Rock, Texas 78681



CAPITAL EXPRESS CENTRAL  
 Ç CESAR CHAVEZ TUNNEL  
 STA 215+00.00

SCALE: HORIZ: 1"=40'  
 VERT: 1"=40'

CONT	SECT	JOB	HIGHWAY
0015	13	433, ETC.	I-35
DIST	COUNTY		SHEET NO.
AUS	TRAVIS		952



NO.	DATE	REVISION	APPR BY



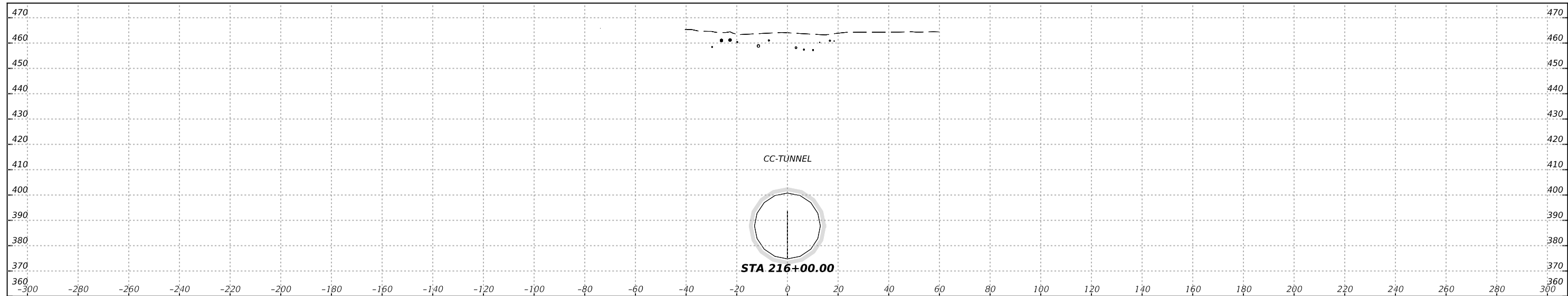
HDR Engineering, Inc.  
 Firm Registration No. F-754  
 710 Hester Crossing, Suite 150  
 Round Rock, Texas 78681



CAPITAL EXPRESS CENTRAL  
 Ç CESAR CHAVEZ TUNNEL  
 STA 215+50.00

SCALE: HORIZ: 1"=40'  
 VERT: 1"=40'

CONT	SECT	JOB	HIGHWAY
0015	13	433, ETC.	I-35
DIST	COUNTY		SHEET NO.
AUS	TRAVIS		953



NO.	DATE	REVISION	APPR BY



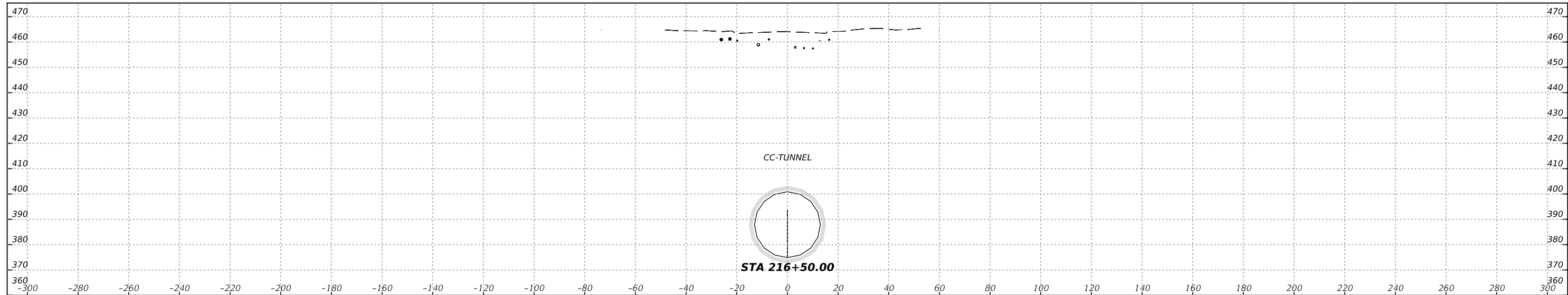
HDR Engineering, Inc.  
 Firm Registration No. F-754  
 710 Hester Crossing, Suite 150  
 Round Rock, Texas 78681



CAPITAL EXPRESS CENTRAL  
 Ç CESAR CHAVEZ TUNNEL  
 STA 216+00.00

SCALE: HORIZ: 1"=40'  
 VERT: 1"=40'

CONT	SECT	JOB	HIGHWAY
0015	13	433, ETC.	I-35
DIST	COUNTY		SHEET NO.
AUS	TRAVIS		954



NO.	DATE	REVISION	APPR BY



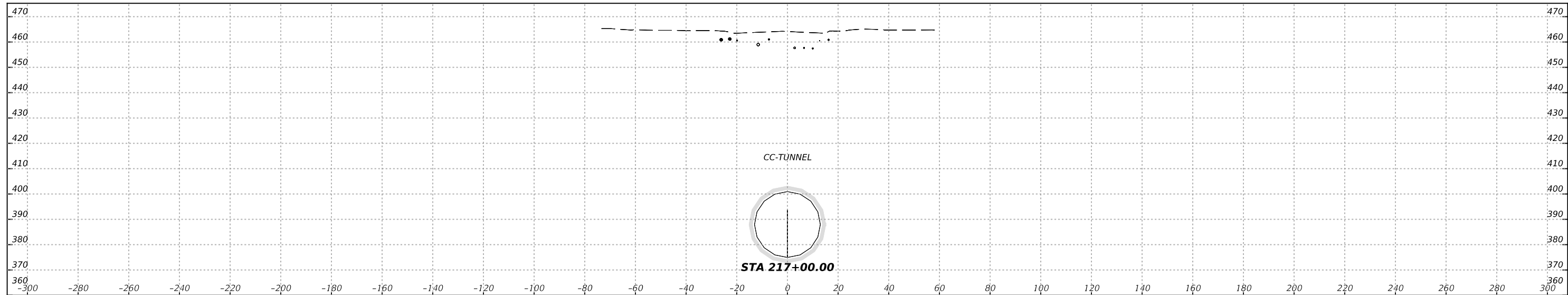
HDR Engineering, Inc.  
 Firm Registration No. F-754  
 710 Hester Crossing, Suite 150  
 Round Rock, Texas 78681



CAPITAL EXPRESS CENTRAL  
 Ç CESAR CHAVEZ TUNNEL  
 STA 216+50.00

SCALE: HORIZ: 1"=40'  
 VERT: 1"=40'

CONT	SECT	JOB	HIGHWAY
0015	13	433, ETC.	I-35
DIST	COUNTY		SHEET NO.
AUS	TRAVIS		955



NO.	DATE	REVISION	APPR BY



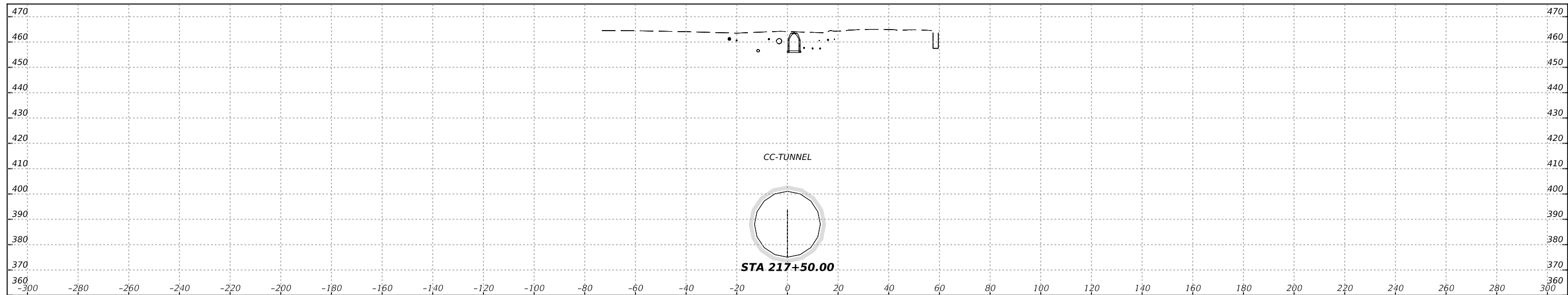
HDR Engineering, Inc.  
 Firm Registration No. F-754  
 710 Hester Crossing, Suite 150  
 Round Rock, Texas 78681



CAPITAL EXPRESS CENTRAL  
 Ç CESAR CHAVEZ TUNNEL  
 STA 217+00.00

SCALE: HORIZ: 1"=40'  
 VERT: 1"=40'

CONT	SECT	JOB	HIGHWAY
0015	13	433, ETC.	I-35
DIST	COUNTY		SHEET NO.
AUS	TRAVIS		956



NO.	DATE	REVISION	APPR BY



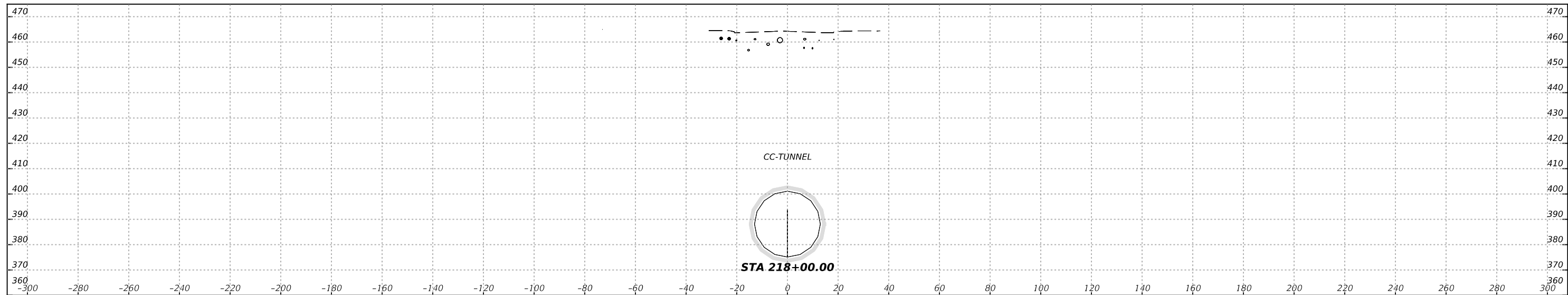
HDR Engineering, Inc.  
 Firm Registration No. F-754  
 710 Hester Crossing, Suite 150  
 Round Rock, Texas 78681



CAPITAL EXPRESS CENTRAL  
 Ç CESAR CHAVEZ TUNNEL  
 STA 217+50.00

SCALE: HORIZ: 1"=40'  
 VERT: 1"=40'

CONT	SECT	JOB	HIGHWAY
0015	13	433, ETC.	I-35
DIST	COUNTY	SHEET NO.	
AUS	TRAVIS	957	



NO.	DATE	REVISION	APPR BY



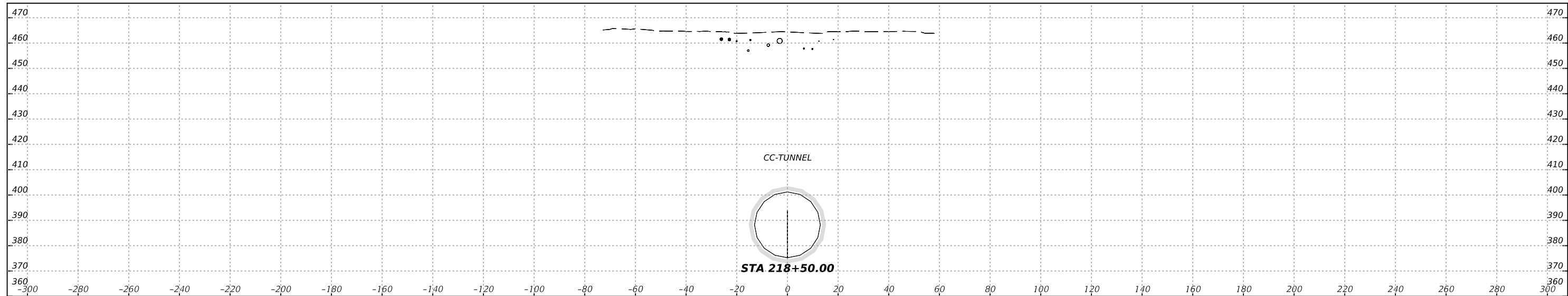
HDR Engineering, Inc.  
 Firm Registration No. F-754  
 710 Hester Crossing, Suite 150  
 Round Rock, Texas 78681



**CAPITAL EXPRESS CENTRAL**  
 Ç CESAR CHAVEZ TUNNEL  
 STA 218+00.00

SCALE: HORIZ: 1"=40'  
 VERT: 1"=40'

CONT	SECT	JOB	HIGHWAY
0015	13	433, ETC.	I-35
DIST	COUNTY		SHEET NO.
AUS	TRAVIS		958



NO.	DATE	REVISION	APPR BY



HDR Engineering, Inc.  
 Firm Registration No. F-754  
 710 Hester Crossing, Suite 150  
 Round Rock, Texas 78681

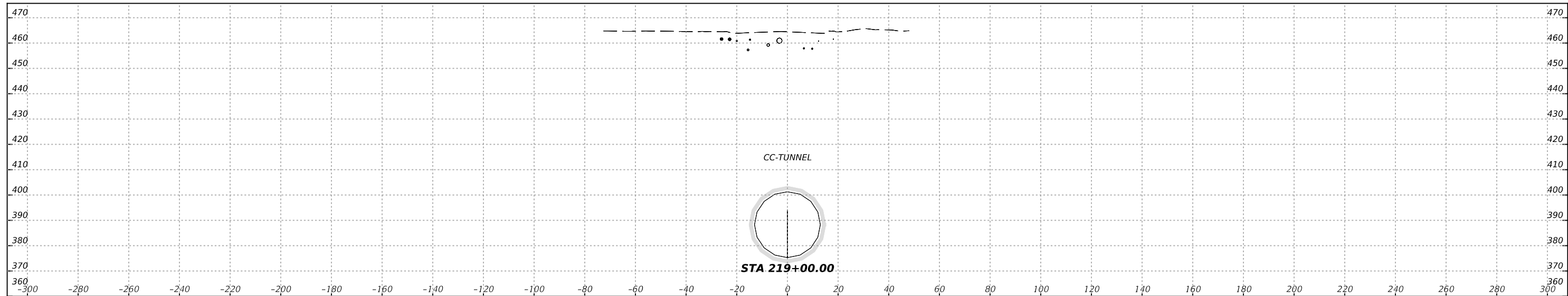


CAPITAL EXPRESS CENTRAL  
 Ç CESAR CHAVEZ TUNNEL  
 STA 218+50.00

SCALE: HORIZ: 1"=40'  
 VERT: 1"=40'

CONT	SECT	JOB	HIGHWAY
0015	13	433, ETC.	I-35
DIST			SHEET NO.
AUS	TRAVIS		959





NO.	DATE	REVISION	APPR BY



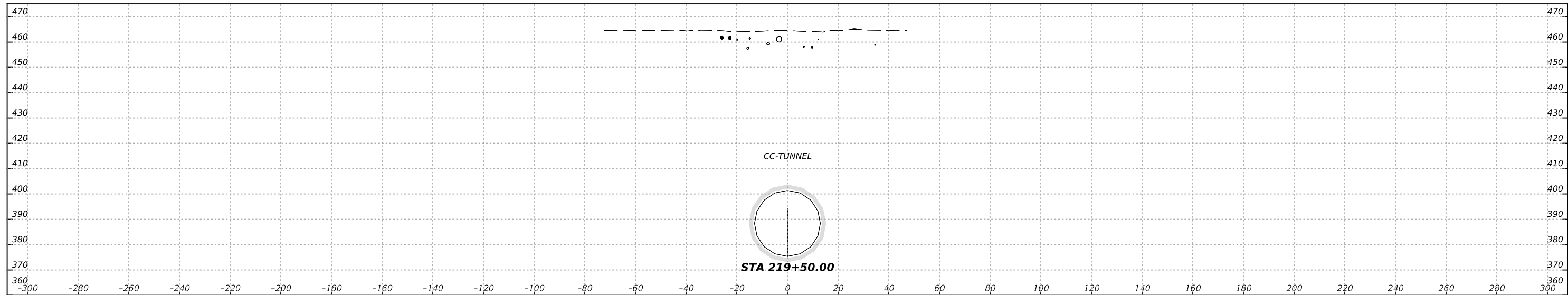
HDR Engineering, Inc.  
 Firm Registration No. F-754  
 710 Hester Crossing, Suite 150  
 Round Rock, Texas 78681



CAPITAL EXPRESS CENTRAL  
 Ç CESAR CHAVEZ TUNNEL  
 STA 219+00.00

SCALE: HORIZ: 1"=40'  
 VERT: 1"=40'

CONT	SECT	JOB	HIGHWAY
0015	13	433, ETC.	I-35
DIST			COUNTY
AUS			TRAVIS
SHEET NO.			960



NO.	DATE	REVISION	APPR BY



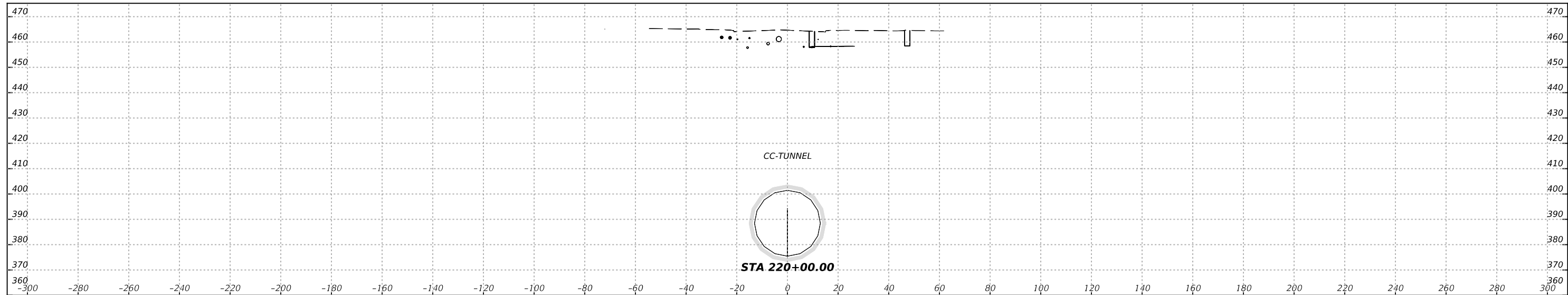
HDR Engineering, Inc.  
 Firm Registration No. F-754  
 710 Hester Crossing, Suite 150  
 Round Rock, Texas 78681



CAPITAL EXPRESS CENTRAL  
 Ç CESAR CHAVEZ TUNNEL  
 STA 219+50.00

SCALE: HORIZ: 1"=40'  
 VERT: 1"=40'

CONT	SECT	JOB	HIGHWAY
0015	13	433, ETC.	I-35
DIST	COUNTY		SHEET NO.
AUS	TRAVIS		961



NO.	DATE	REVISION	APPR BY



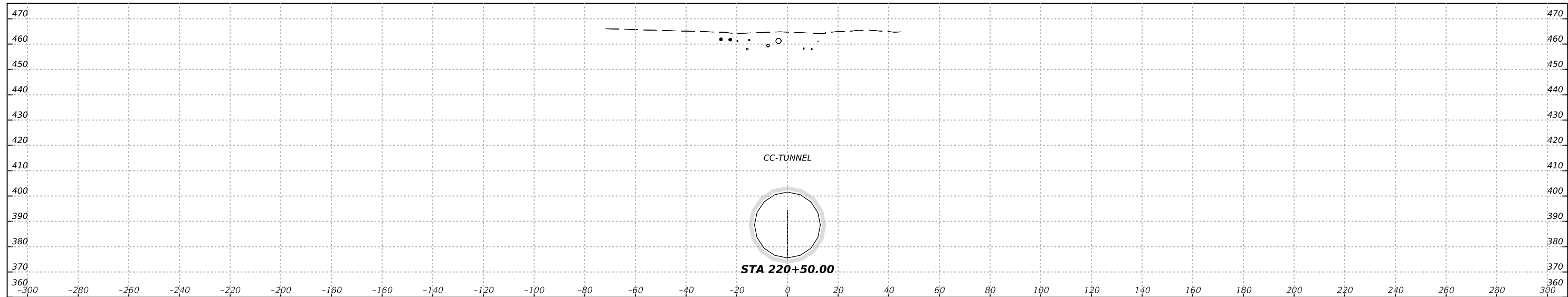
HDR Engineering, Inc.  
 Firm Registration No. F-754  
 710 Hester Crossing, Suite 150  
 Round Rock, Texas 78681



CAPITAL EXPRESS CENTRAL  
 Ç CESAR CHAVEZ TUNNEL  
 STA 220+00.00

SCALE: HORIZ: 1"=40'  
 VERT: 1"=40'

CONT	SECT	JOB	HIGHWAY
0015	13	433, ETC.	I-35
DIST	COUNTY		SHEET NO.
AUS	TRAVIS		962



NO.	DATE	REVISION	APPR BY



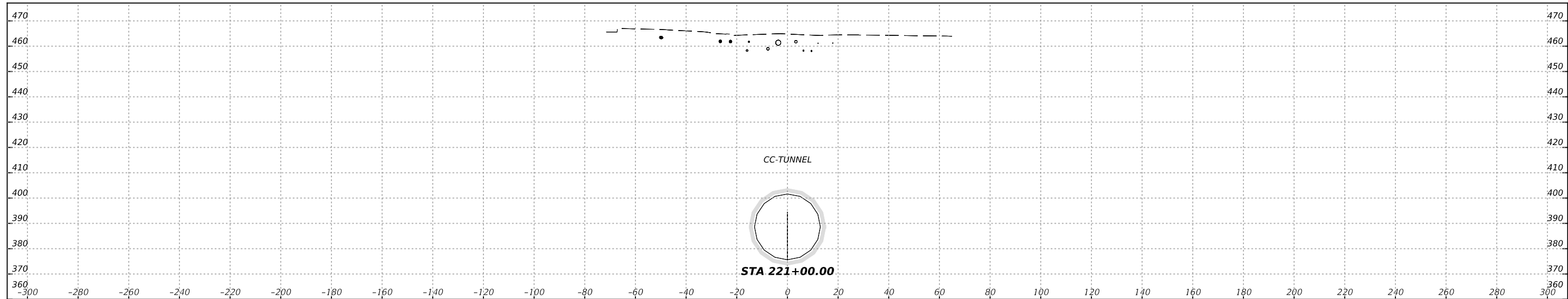
HDR Engineering, Inc.  
 Firm Registration No. F-754  
 710 Hester Crossing, Suite 150  
 Round Rock, Texas 78681



CAPITAL EXPRESS CENTRAL  
 Ç CESAR CHAVEZ TUNNEL  
 STA 220+50.00

SCALE: HORIZ: 1"=40'  
 VERT: 1"=40'

CONT	SECT	JOB	HIGHWAY
0015	13	433, ETC.	I-35
DIST COUNTY			SHEET NO.
AUS	TRAVIS	963	



NO.	DATE	REVISION	APPR BY



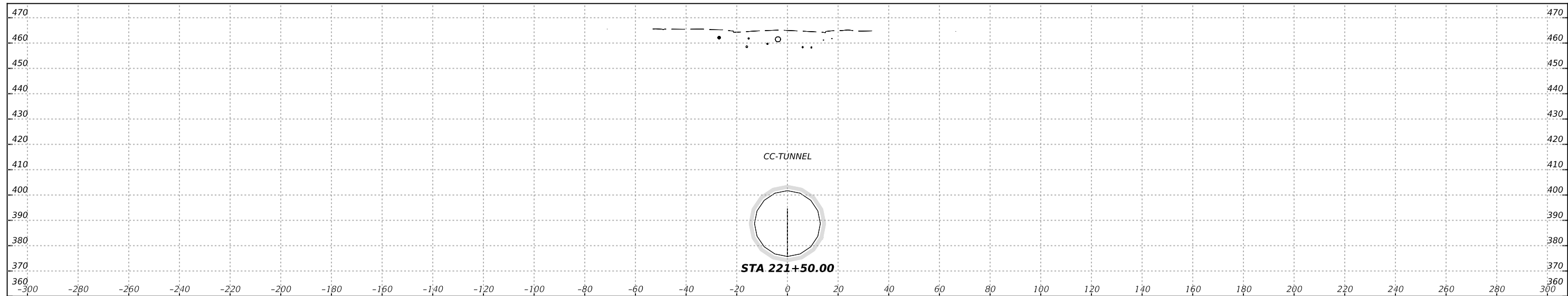
HDR Engineering, Inc.  
 Firm Registration No. F-754  
 710 Hester Crossing, Suite 150  
 Round Rock, Texas 78681



CAPITAL EXPRESS CENTRAL  
 Ç CESAR CHAVEZ TUNNEL  
 STA 221+00.00

SCALE: HORIZ: 1"=40'  
 VERT: 1"=40'

CONT	SECT	JOB	HIGHWAY
0015	13	433, ETC.	I-35
DIST			SHEET NO.
AUS	TRAVIS		964



NO.	DATE	REVISION	APPR BY



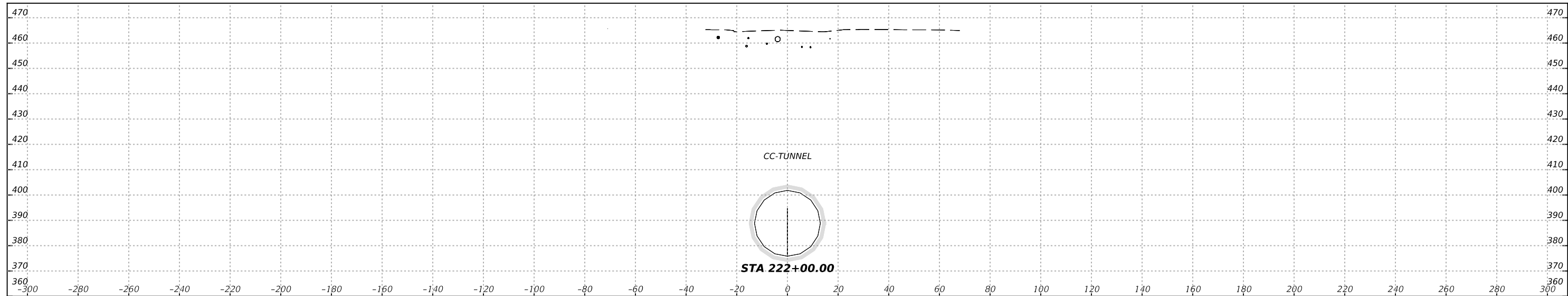
HDR Engineering, Inc.  
 Firm Registration No. F-754  
 710 Hester Crossing, Suite 150  
 Round Rock, Texas 78681



CAPITAL EXPRESS CENTRAL  
 Ç CESAR CHAVEZ TUNNEL  
 STA 221+50.00

SCALE: HORIZ: 1"=40'  
 VERT: 1"=40'

CONT	SECT	JOB	HIGHWAY
0015	13	433, ETC.	I-35
DIST	COUNTY		SHEET NO.
AUS	TRAVIS		965



NO.	DATE	REVISION	APPR BY



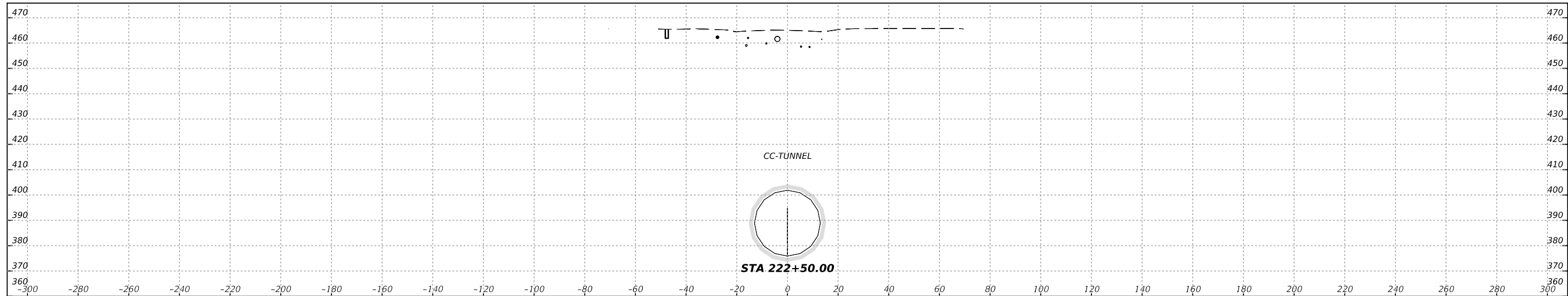
HDR Engineering, Inc.  
 Firm Registration No. F-754  
 710 Hester Crossing, Suite 150  
 Round Rock, Texas 78681



CAPITAL EXPRESS CENTRAL  
 Ç CESAR CHAVEZ TUNNEL  
 STA 222+00.00

SCALE: HORIZ: 1"=40'  
 VERT: 1"=40'

CONT	SECT	JOB	HIGHWAY
0015	13	433, ETC.	I-35
DIST	COUNTY		SHEET NO.
AUS	TRAVIS		966



NO.	DATE	REVISION	APPR BY



HDR Engineering, Inc.  
 Firm Registration No. F-754  
 710 Hester Crossing, Suite 150  
 Round Rock, Texas 78681

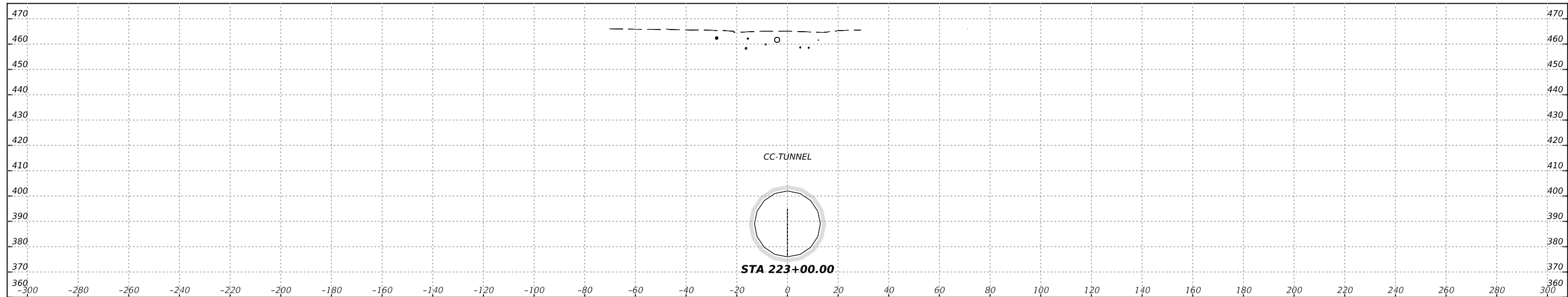


CAPITAL EXPRESS CENTRAL  
 Ç CESAR CHAVEZ TUNNEL  
 STA 222+50.00

SCALE: HORIZ: 1"=40'  
 VERT: 1"=40'

CONT	SECT	JOB	HIGHWAY
0015	13	433, ETC.	I-35
DIST			COUNTY
AUS			TRAVIS
SHEET NO.			967





NO.	DATE	REVISION	APPR BY



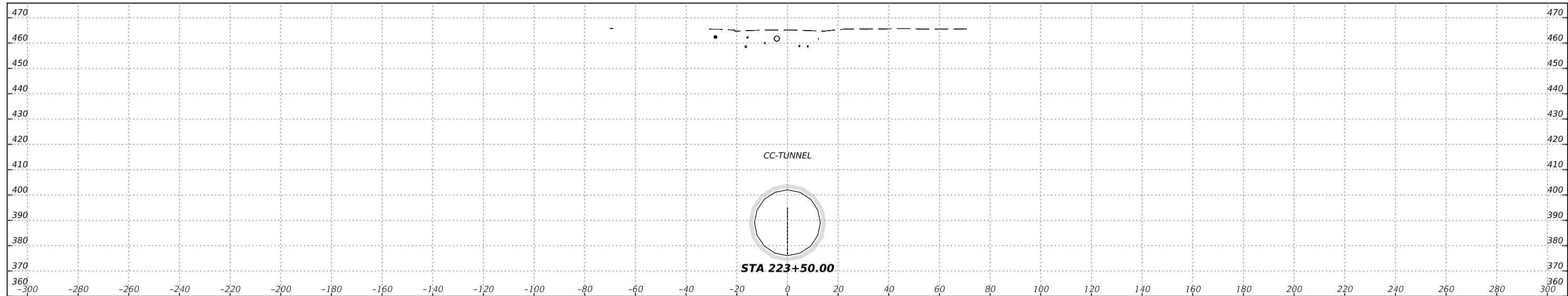
HDR Engineering, Inc.  
 Firm Registration No. F-754  
 710 Hester Crossing, Suite 150  
 Round Rock, Texas 78681



CAPITAL EXPRESS CENTRAL  
 Ç CESAR CHAVEZ TUNNEL  
 STA 223+00.00

SCALE: HORIZ: 1"=40'  
 VERT: 1"=40'

CONT	SECT	JOB	HIGHWAY
0015	13	433, ETC.	I-35
DIST	COUNTY		SHEET NO.
AUS	TRAVIS		968



NO.	DATE	REVISION	APPR BY



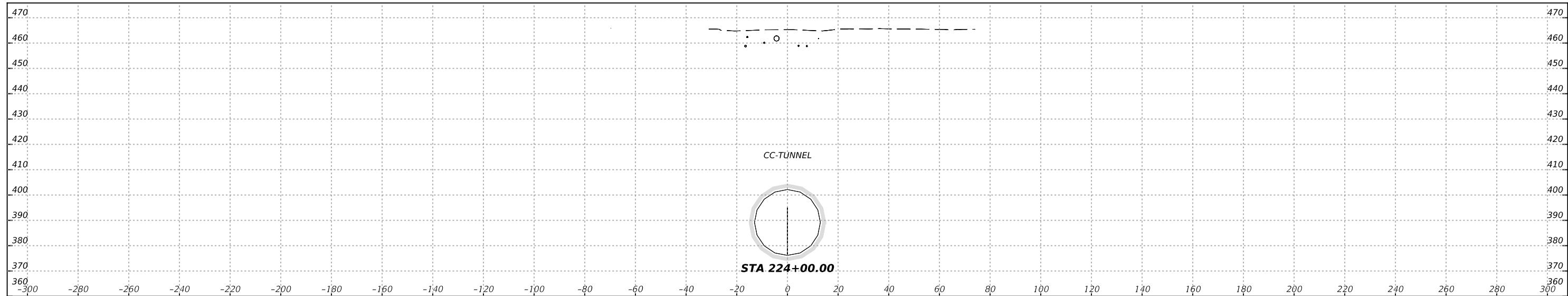
HDR Engineering, Inc.  
 Firm Registration No. F-754  
 710 Hester Crossing, Suite 150  
 Round Rock, Texas 78681



CAPITAL EXPRESS CENTRAL  
 Ç CESAR CHAVEZ TUNNEL  
 STA 223+50.00

SCALE: HORIZ: 1"=40'  
 VERT: 1"=40'

CONT	SECT	JOB	HIGHWAY
0015	13	433, ETC.	I-35
DIST COUNTY			SHEET NO.
AUS	TRAVIS		969



NO.	DATE	REVISION	APPR BY



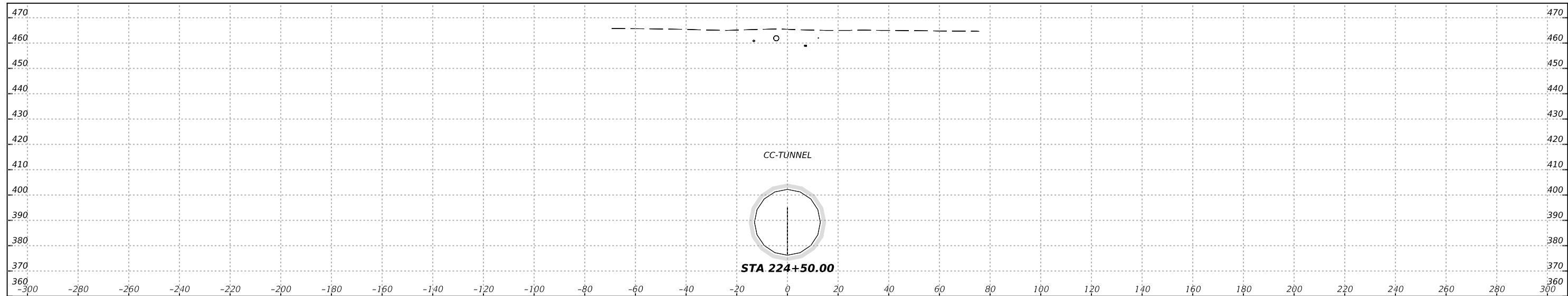
HDR Engineering, Inc.  
 Firm Registration No. F-754  
 710 Hester Crossing, Suite 150  
 Round Rock, Texas 78681



CAPITAL EXPRESS CENTRAL  
 Ç CESAR CHAVEZ TUNNEL  
 STA 224+00.00

SCALE: HORIZ: 1"=40'  
 VERT: 1"=40'

CONT	SECT	JOB	HIGHWAY
0015	13	433, ETC.	I-35
DIST			COUNTY
AUS			TRAVIS
SHEET NO.			SHEET NO.
			970



NO.	DATE	REVISION	APPR BY



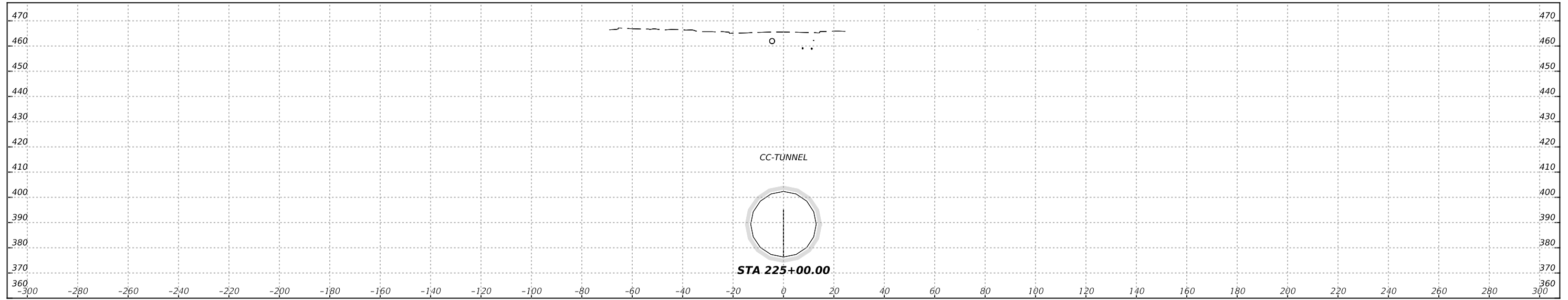
HDR Engineering, Inc.  
 Firm Registration No. F-754  
 710 Hester Crossing, Suite 150  
 Round Rock, Texas 78681



CAPITAL EXPRESS CENTRAL  
 Ç CESAR CHAVEZ TUNNEL  
 STA 224+50.00

SCALE: HORIZ: 1"=40'  
 VERT: 1"=40'

CONT	SECT	JOB	HIGHWAY
0015	13	433, ETC.	I-35
DIST	COUNTY		SHEET NO.
AUS	TRAVIS		971



NO.	DATE	REVISION	APPR BY

HDR Engineering, Inc.  
 Firm Registration No. F-754  
 710 Hester Crossing, Suite 150  
 Round Rock, Texas 78681

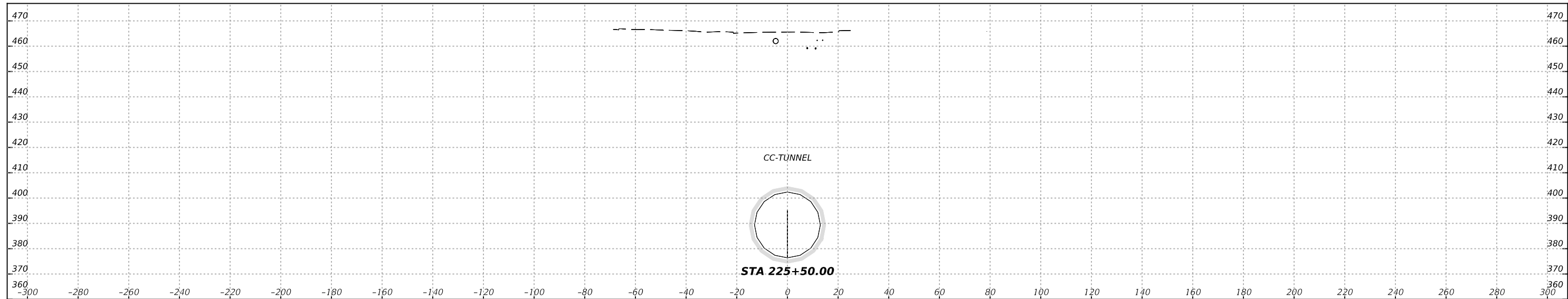
mobility  
 CAPITAL AREA

Texas Department of Transportation

CAPITAL EXPRESS CENTRAL  
 Ç CESAR CHAVEZ TUNNEL  
 STA 225+00.00

SCALE: HORIZ: 1"=40'  
 VERT: 1"=40'

CONT	SECT	JOB	HIGHWAY
0015	13	433, ETC.	I-35
DIST	COUNTY		SHEET NO.
AUS	TRAVIS		972



NO.	DATE	REVISION	APPR BY



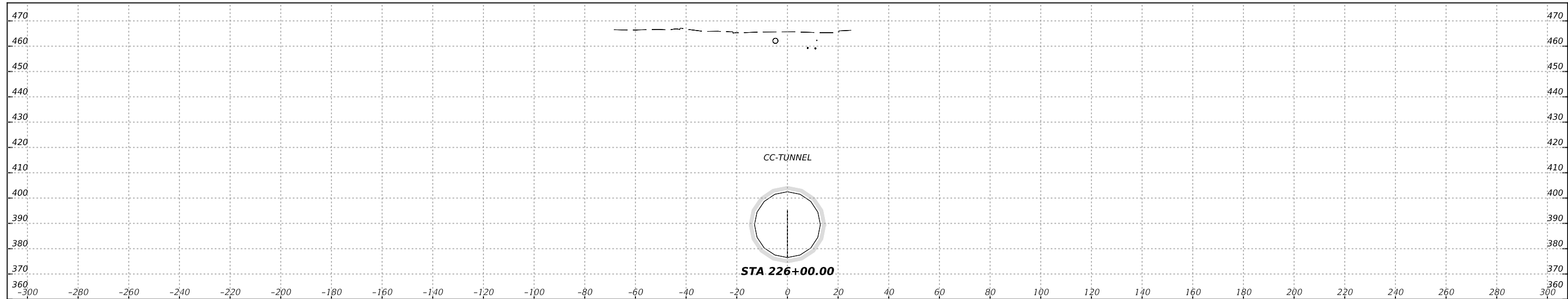
HDR Engineering, Inc.  
 Firm Registration No. F-754  
 710 Hester Crossing, Suite 150  
 Round Rock, Texas 78681



CAPITAL EXPRESS CENTRAL  
 Ç CESAR CHAVEZ TUNNEL  
 STA 225+50.00

SCALE: HORIZ: 1"=40'  
 VERT: 1"=40'

CONT	SECT	JOB	HIGHWAY
0015	13	433, ETC.	I-35
DIST	COUNTY		SHEET NO.
AUS	TRAVIS		973



NO.	DATE	REVISION	APPR BY



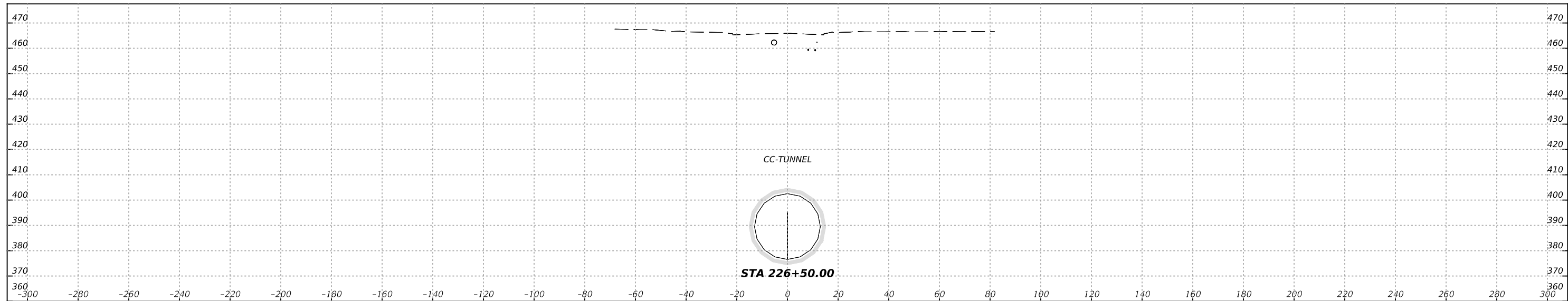
HDR Engineering, Inc.  
 Firm Registration No. F-754  
 710 Hester Crossing, Suite 150  
 Round Rock, Texas 78681



CAPITAL EXPRESS CENTRAL  
 Ç CESAR CHAVEZ TUNNEL  
 STA 226+00.00

SCALE: HORIZ: 1"=40'  
 VERT: 1"=40'

CONT	SECT	JOB	HIGHWAY
0015	13	433, ETC.	I-35
DIST	COUNTY		SHEET NO.
AUS	TRAVIS		974



NO.	DATE	REVISION	APPR BY



HDR Engineering, Inc.  
 Firm Registration No. F-754  
 710 Hester Crossing, Suite 150  
 Round Rock, Texas 78681

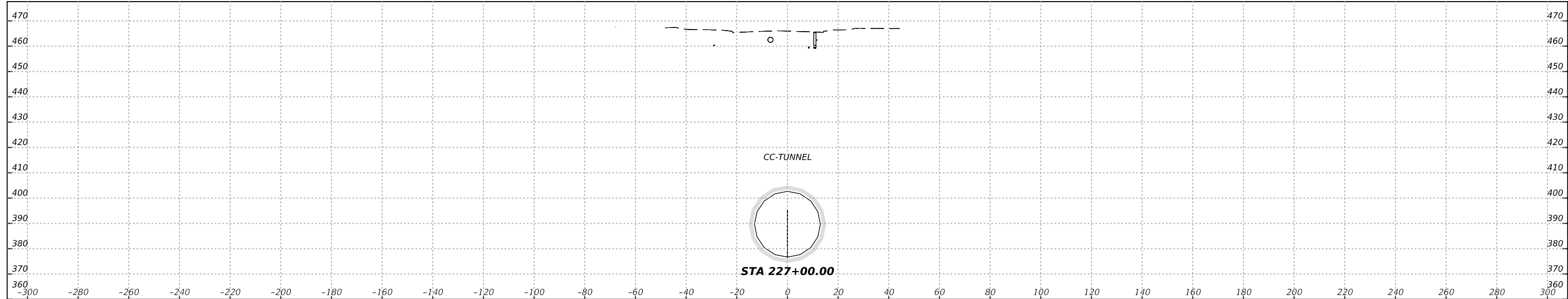


CAPITAL EXPRESS CENTRAL  
 Ç CESAR CHAVEZ TUNNEL  
 STA 226+50.00

SCALE: HORIZ: 1"=40'  
 VERT: 1"=40'

CONT	SECT	JOB	HIGHWAY
0015	13	433, ETC.	I-35
DIST	COUNTY		SHEET NO.
AUS	TRAVIS		975





NO.	DATE	REVISION	APPR BY



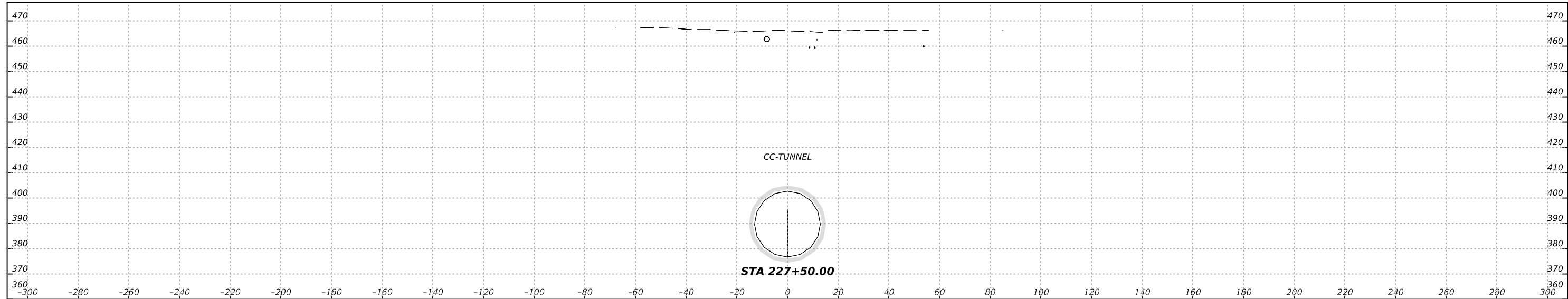
HDR Engineering, Inc.  
Firm Registration No. F-754  
710 Hester Crossing, Suite 150  
Round Rock, Texas 78681



**CAPITAL EXPRESS CENTRAL**  
**Ç CESAR CHAVEZ TUNNEL**  
**STA 227+00.00**

SCALE: HORIZ: 1"=40'  
VERT: 1"=40'

CONT	SECT	JOB	HIGHWAY
0015	13	433, ETC.	I-35
DIST		COUNTY	SHEET NO.
AUS		TRAVIS	976



NO.	DATE	REVISION	APPR BY



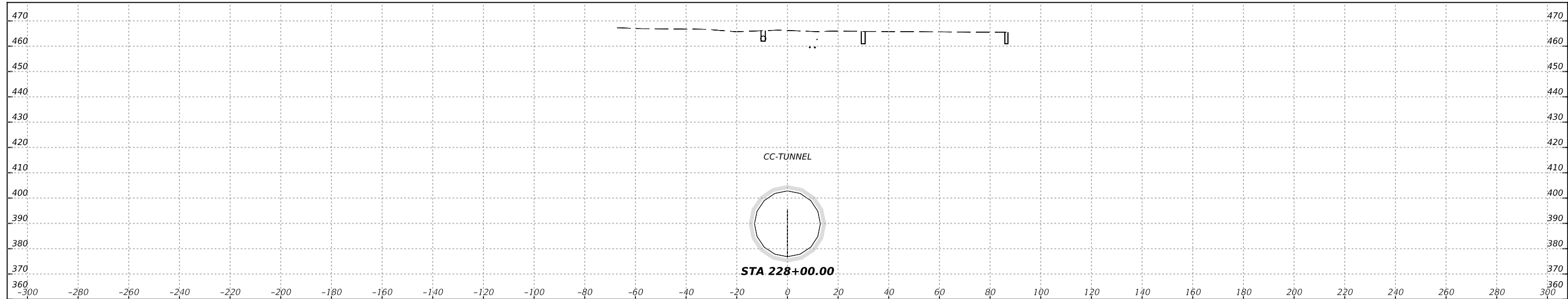
HDR Engineering, Inc.  
 Firm Registration No. F-754  
 710 Hester Crossing, Suite 150  
 Round Rock, Texas 78681



CAPITAL EXPRESS CENTRAL  
 Ç CESAR CHAVEZ TUNNEL  
 STA 227+50.00

SCALE: HORIZ: 1"=40'  
 VERT: 1"=40'

CONT	SECT	JOB	HIGHWAY
0015	13	433, ETC.	I-35
DIST	COUNTY		SHEET NO.
AUS	TRAVIS		977



NO.	DATE	REVISION	APPR BY



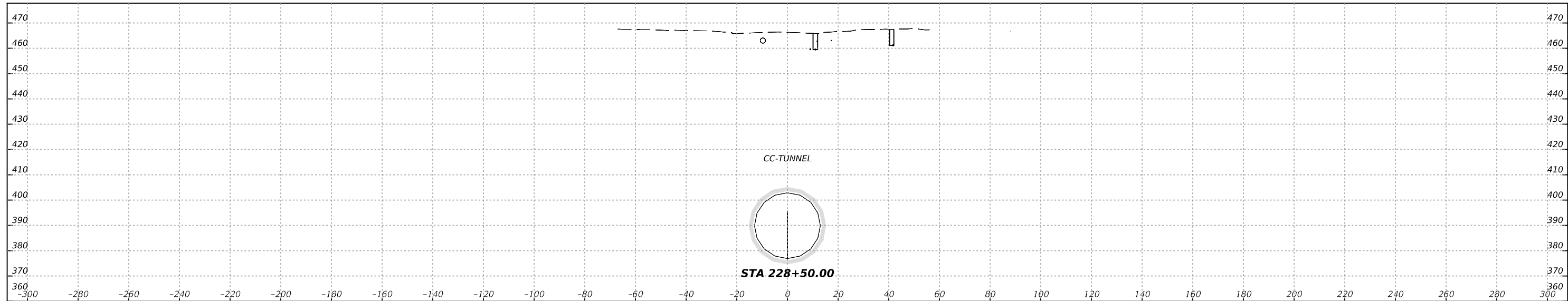
HDR Engineering, Inc.  
 Firm Registration No. F-754  
 710 Hester Crossing, Suite 150  
 Round Rock, Texas 78681



CAPITAL EXPRESS CENTRAL  
 Ç CESAR CHAVEZ TUNNEL  
 STA 228+00.00

SCALE: HORIZ: 1"=40'  
 VERT: 1"=40'

CONT	SECT	JOB	HIGHWAY
0015	13	433, ETC.	I-35
DIST	COUNTY		SHEET NO.
AUS	TRAVIS		978



NO.	DATE	REVISION	APPR BY



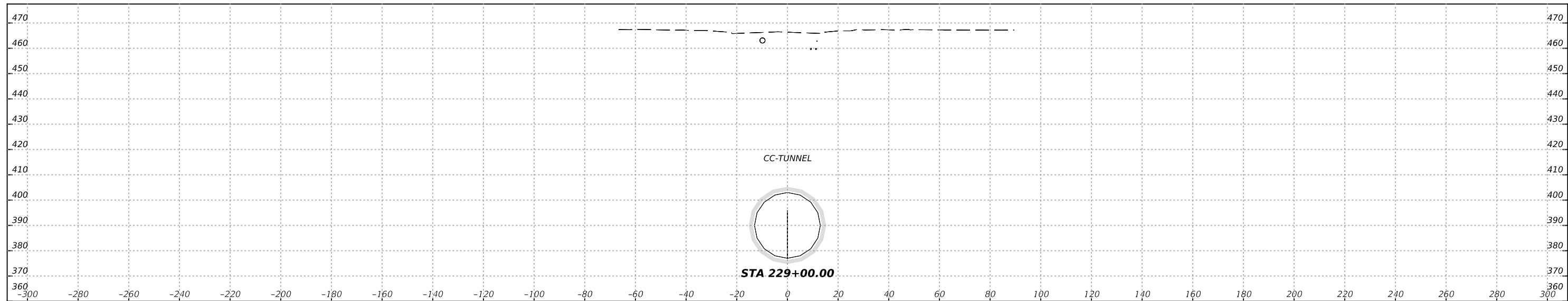
HDR Engineering, Inc.  
 Firm Registration No. F-754  
 710 Hester Crossing, Suite 150  
 Round Rock, Texas 78681



CAPITAL EXPRESS CENTRAL  
 Ç CESAR CHAVEZ TUNNEL  
 STA 228+50.00

SCALE: HORIZ: 1"=40'  
 VERT: 1"=40'

CONT	SECT	JOB	HIGHWAY
0015	13	433, ETC.	I-35
DIST	COUNTY		SHEET NO.
AUS	TRAVIS		979



NO.	DATE	REVISION	APPR BY



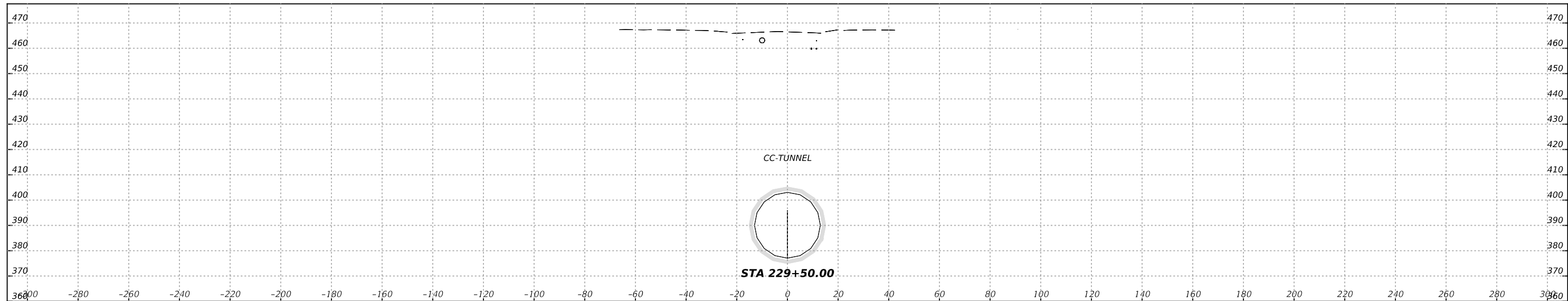
HDR Engineering, Inc.  
 Firm Registration No. F-754  
 710 Hester Crossing, Suite 150  
 Round Rock, Texas 78681



CAPITAL EXPRESS CENTRAL  
 Ç CESAR CHAVEZ TUNNEL  
 STA 229+00.00

SCALE: HORIZ: 1"=40'  
 VERT: 1"=40'

CONT	SECT	JOB	HIGHWAY
0015	13	433, ETC.	I-35
DIST			COUNTY
AUS			TRAVIS
SHEET NO.			SHEET NO.
			980



NO.	DATE	REVISION	APPR BY



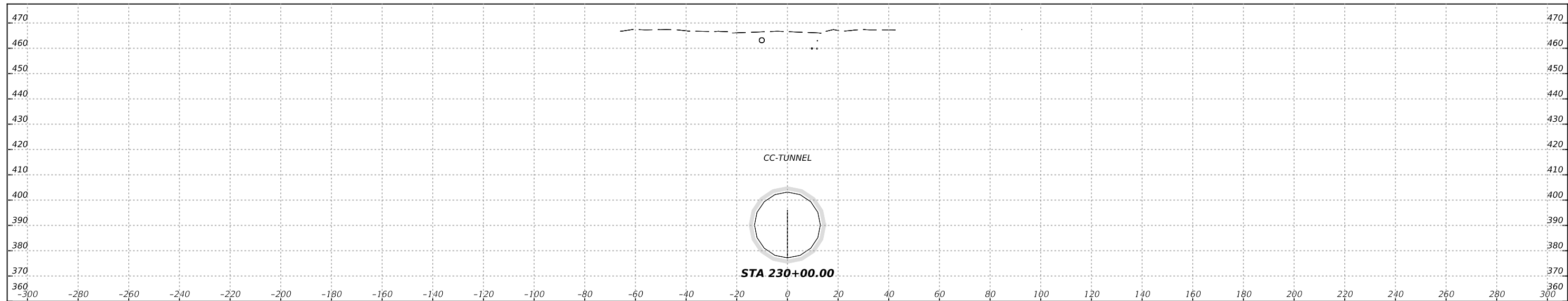
HDR Engineering, Inc.  
 Firm Registration No. F-754  
 710 Hester Crossing, Suite 150  
 Round Rock, Texas 78681



CAPITAL EXPRESS CENTRAL  
 Ç CESAR CHAVEZ TUNNEL  
 STA 229+50.00

SCALE: HORIZ: 1"=40'  
 VERT: 1"=40'

CONT	SECT	JOB	HIGHWAY
0015	13	433, ETC.	I-35
DIST			COUNTY
AUS			TRAVIS
SHEET NO.			981



NO.	DATE	REVISION	APPR BY



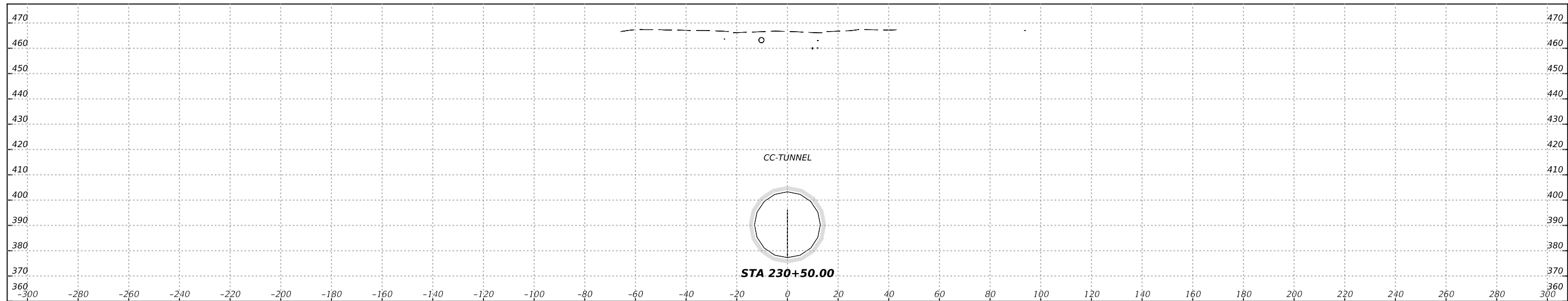
HDR Engineering, Inc.  
 Firm Registration No. F-754  
 710 Hester Crossing, Suite 150  
 Round Rock, Texas 78681



CAPITAL EXPRESS CENTRAL  
 Ç CESAR CHAVEZ TUNNEL  
 STA 230+00.00

SCALE: HORIZ: 1"=40'  
 VERT: 1"=40'

CONT	SECT	JOB	HIGHWAY
0015	13	433, ETC.	I-35
DIST		COUNTY	SHEET NO.
AUS		TRAVIS	982



NO.	DATE	REVISION	APPR BY



HDR Engineering, Inc.  
 Firm Registration No. F-754  
 710 Hester Crossing, Suite 150  
 Round Rock, Texas 78681

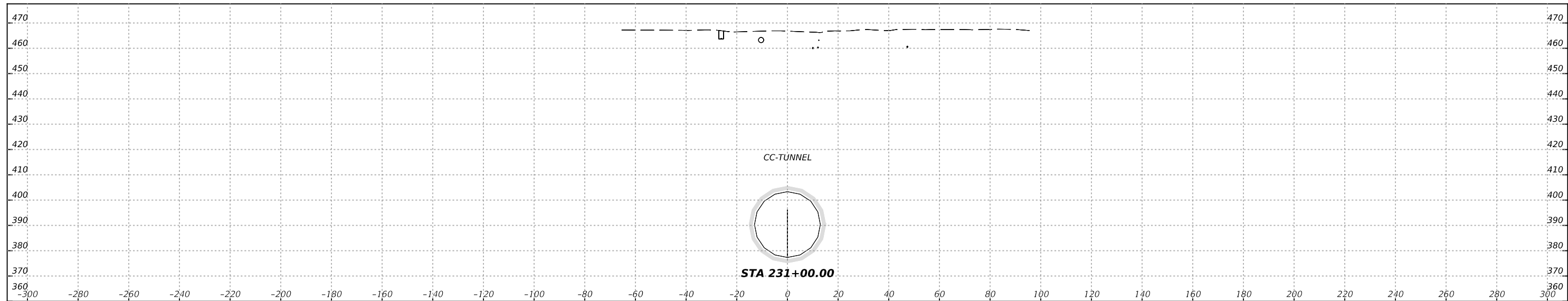


CAPITAL EXPRESS CENTRAL  
 Ç CESAR CHAVEZ TUNNEL  
 STA 230+50.00

SCALE: HORIZ: 1"=40'  
 VERT: 1"=40'

CONT	SECT	JOB	HIGHWAY
0015	13	433, ETC.	I-35
DIST	COUNTY		SHEET NO.
AUS	TRAVIS		983





NO.	DATE	REVISION	APPR BY



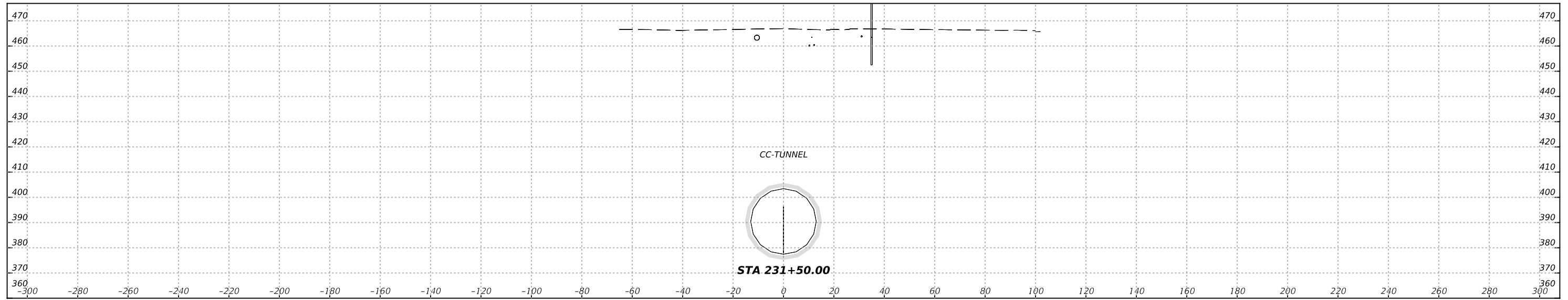
HDR Engineering, Inc.  
 Firm Registration No. F-754  
 710 Hester Crossing, Suite 150  
 Round Rock, Texas 78681



CAPITAL EXPRESS CENTRAL  
 Ç CESAR CHAVEZ TUNNEL  
 STA 231+00.00

SCALE: HORIZ: 1"=40'  
 VERT: 1"=40'

CONT	SECT	JOB	HIGHWAY
0015	13	433, ETC.	I-35
DIST	COUNTY		SHEET NO.
AUS	TRAVIS		984



NO.	DATE	REVISION	APPR BY



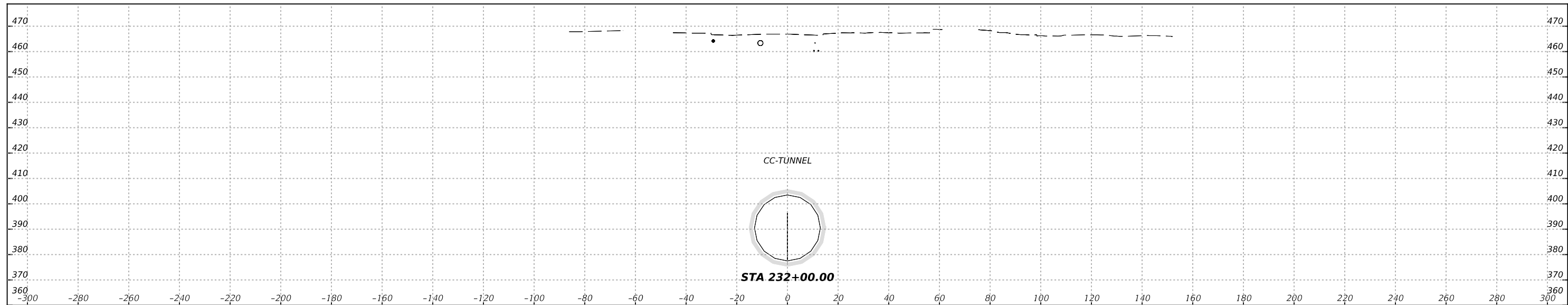
HDR Engineering, Inc.  
 Firm Registration No. F-754  
 710 Hester Crossing, Suite 150  
 Round Rock, Texas 78681



CAPITAL EXPRESS CENTRAL  
 Ç CESAR CHAVEZ TUNNEL  
 STA 231+50.00

SCALE: HORIZ: 1"=40'  
 VERT: 1"=40'

CONT	SECT	JOB	HIGHWAY
0015	13	433, ETC.	I-35
DIST	COUNTY		SHEET NO.
AUS	TRAVIS		985



NO.	DATE	REVISION	APPR BY



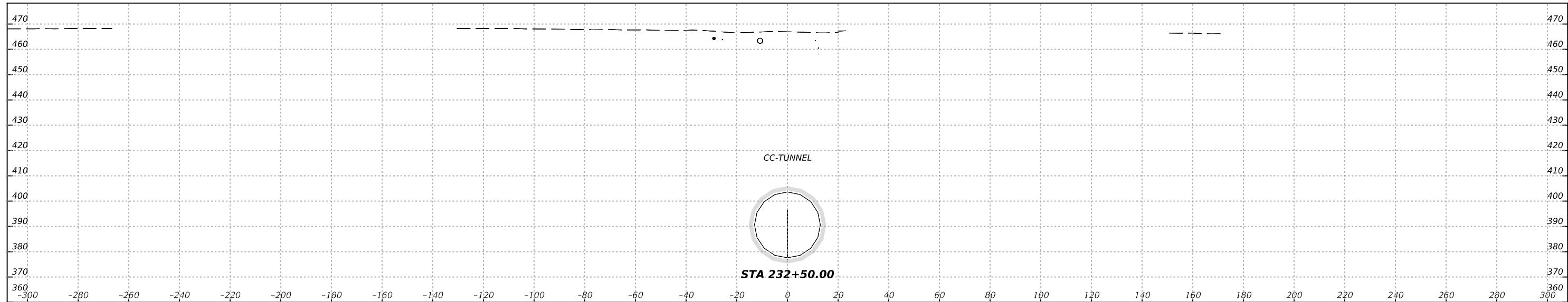
HDR Engineering, Inc.  
 Firm Registration No. F-754  
 710 Hester Crossing, Suite 150  
 Round Rock, Texas 78681



CAPITAL EXPRESS CENTRAL  
 Ç CESAR CHAVEZ TUNNEL  
 STA 232+00.00

SCALE: HORIZ: 1"=40'  
 VERT: 1"=40'

CONT	SECT	JOB	HIGHWAY
0015	13	433, ETC.	I-35
DIST	COUNTY		SHEET NO.
AUS	TRAVIS		986



NO.	DATE	REVISION	APPR BY



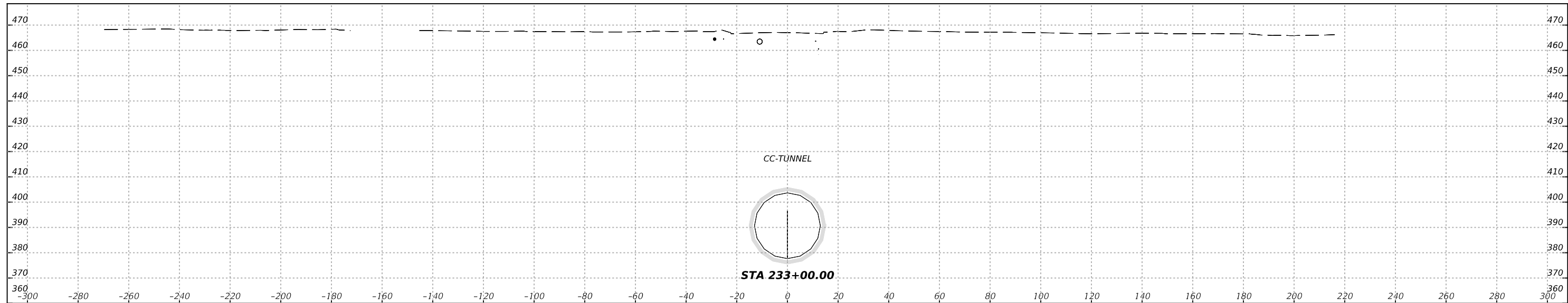
HDR Engineering, Inc.  
 Firm Registration No. F-754  
 710 Hester Crossing, Suite 150  
 Round Rock, Texas 78681



CAPITAL EXPRESS CENTRAL  
 Ç CESAR CHAVEZ TUNNEL  
 STA 232+50.00

SCALE: HORIZ: 1"=40'  
 VERT: 1"=40'

CONT	SECT	JOB	HIGHWAY
0015	13	433, ETC.	I-35
DIST	COUNTY		SHEET NO.
AUS	TRAVIS		987



NO.	DATE	REVISION	APPR BY



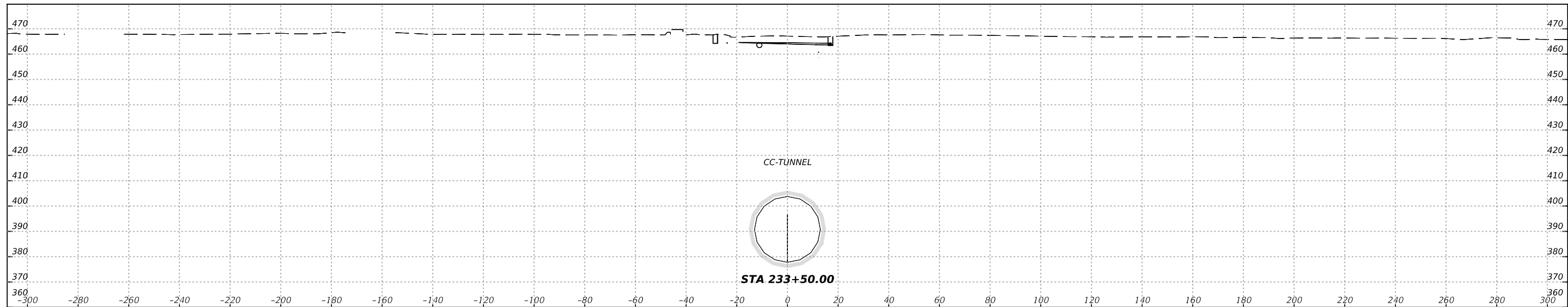
HDR Engineering, Inc.  
 Firm Registration No. F-754  
 710 Hester Crossing, Suite 150  
 Round Rock, Texas 78681



CAPITAL EXPRESS CENTRAL  
 Ç CESAR CHAVEZ TUNNEL  
 STA 233+00.00

SCALE: HORIZ: 1"=40'  
 VERT: 1"=40'

CONT	SECT	JOB	HIGHWAY
0015	13	433, ETC.	I-35
DIST	COUNTY		SHEET NO.
AUS	TRAVIS		988



NO.	DATE	REVISION	APPR BY



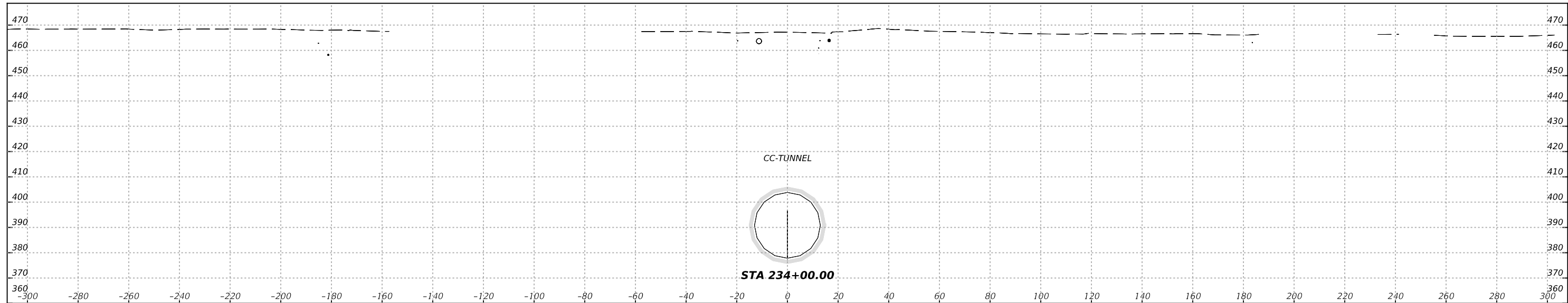
HDR Engineering, Inc.  
 Firm Registration No. F-754  
 710 Hester Crossing, Suite 150  
 Round Rock, Texas 78681



CAPITAL EXPRESS CENTRAL  
 Ç CESAR CHAVEZ TUNNEL  
 STA 233+50.00

SCALE: HORIZ: 1"=40'  
 VERT: 1"=40'

CONT	SECT	JOB	HIGHWAY
0015	13	433, ETC.	I-35
DIST	COUNTY		SHEET NO.
AUS	TRAVIS		989



NO.	DATE	REVISION	APPR BY



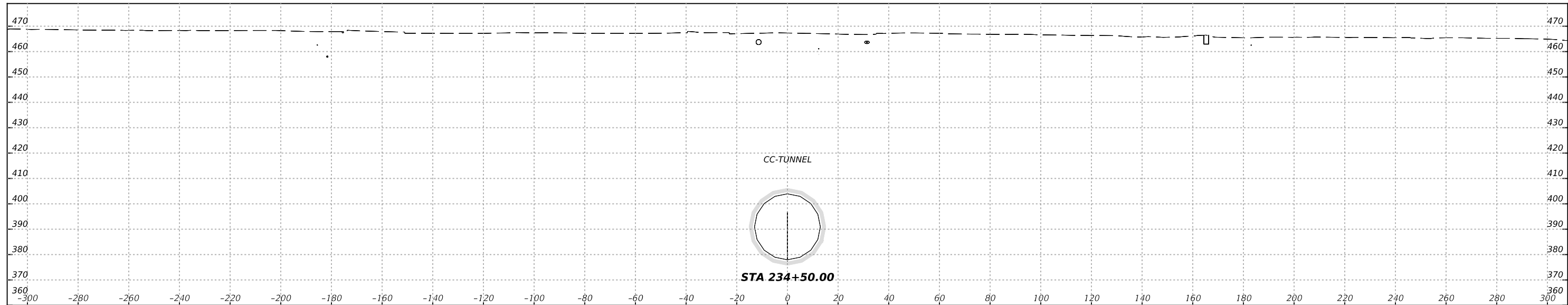
HDR Engineering, Inc.  
 Firm Registration No. F-754  
 710 Hester Crossing, Suite 150  
 Round Rock, Texas 78681



CAPITAL EXPRESS CENTRAL  
 Ç CESAR CHAVEZ TUNNEL  
 STA 234+00.00

SCALE: HORIZ: 1"=40'  
 VERT: 1"=40'

CONT	SECT	JOB	HIGHWAY
0015	13	433, ETC.	I-35
DIST	COUNTY		SHEET NO.
AUS	TRAVIS		990



NO.	DATE	REVISION	APPR BY



HDR Engineering, Inc.  
 Firm Registration No. F-754  
 710 Hester Crossing, Suite 150  
 Round Rock, Texas 78681

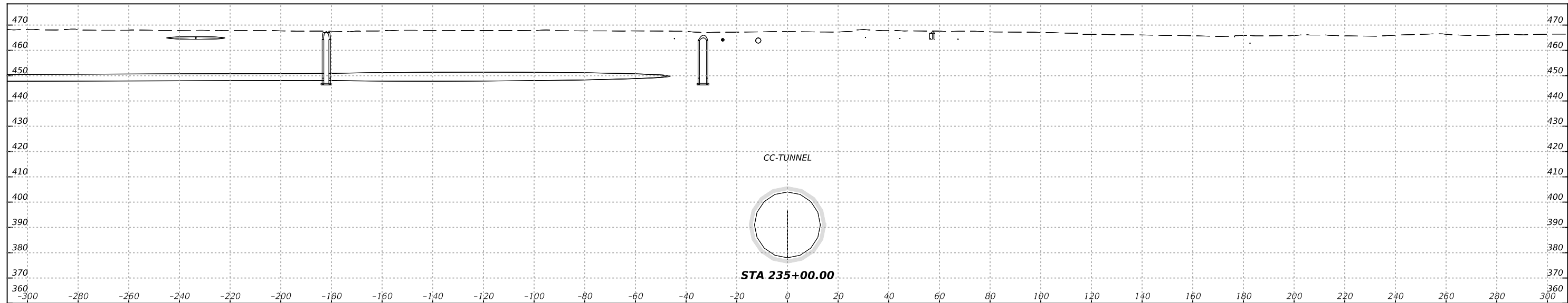


CAPITAL EXPRESS CENTRAL  
 Ç CESAR CHAVEZ TUNNEL  
 STA 234+50.00

SCALE: HORIZ: 1"=40'  
 VERT: 1"=40'

CONT	SECT	JOB	HIGHWAY
0015	13	433, ETC.	I-35
DIST			COUNTY
AUS			TRAVIS
SHEET NO.			991





NO.	DATE	REVISION	APPR BY



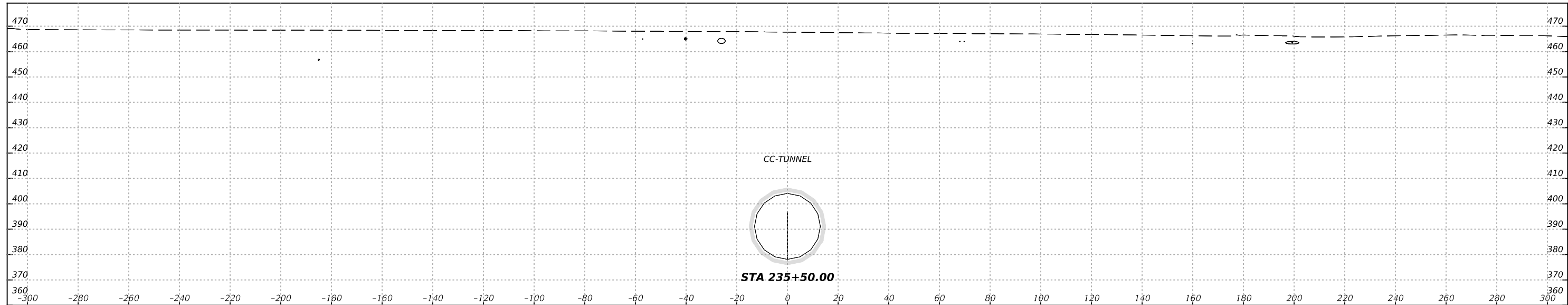
HDR Engineering, Inc.  
 Firm Registration No. F-754  
 710 Hester Crossing, Suite 150  
 Round Rock, Texas 78681



CAPITAL EXPRESS CENTRAL  
 Ç CESAR CHAVEZ TUNNEL  
 STA 235+00.00

SCALE: HORIZ: 1"=40'  
 VERT: 1"=40'

CONT	SECT	JOB	HIGHWAY
0015	13	433, ETC.	I-35
DIST	COUNTY		SHEET NO.
AUS	TRAVIS		992



NO.	DATE	REVISION	APPR BY



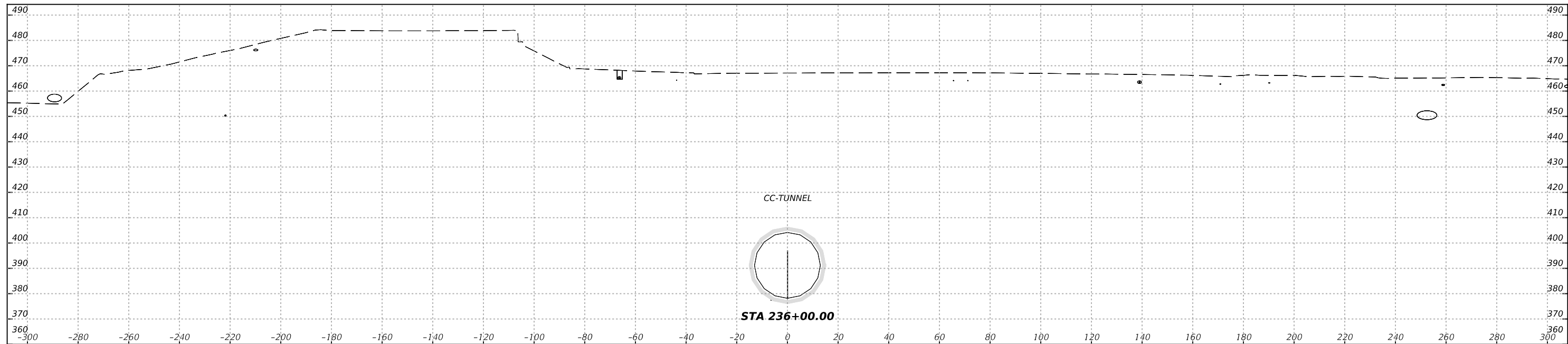
HDR Engineering, Inc.  
 Firm Registration No. F-754  
 710 Hester Crossing, Suite 150  
 Round Rock, Texas 78681



CAPITAL EXPRESS CENTRAL  
 Ç CESAR CHAVEZ TUNNEL  
 STA 235+50.00

SCALE: HORIZ: 1"=40'  
 VERT: 1"=40'

CONT	SECT	JOB	HIGHWAY
0015	13	433, ETC.	I-35
DIST	COUNTY		SHEET NO.
AUS	TRAVIS		993



NO.	DATE	REVISION	APPR BY



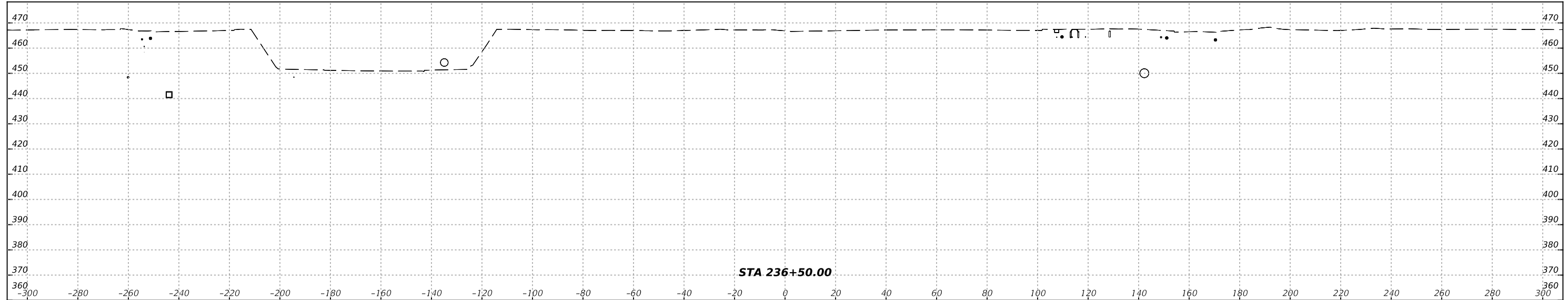
HDR Engineering, Inc.  
 Firm Registration No. F-754  
 710 Hester Crossing, Suite 150  
 Round Rock, Texas 78681



CAPITAL EXPRESS CENTRAL  
 Ç CESAR CHAVEZ TUNNEL  
 STA 236+00.00

SCALE: HORIZ: 1"=40'  
 VERT: 1"=40'

CONT	SECT	JOB	HIGHWAY
0015	13	433, ETC.	I-35
DIST COUNTY			SHEET NO.
AUS	TRAVIS		994



STA 236+50.00

NO.	DATE	REVISION	APPR BY



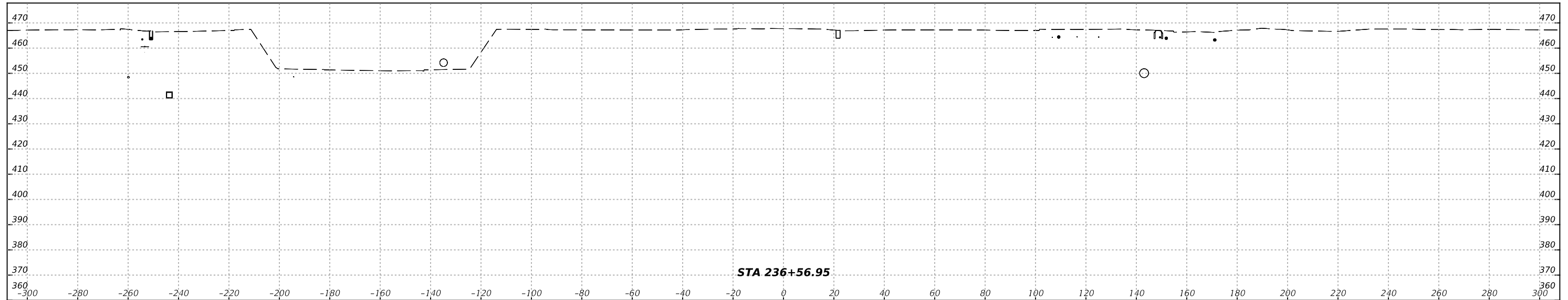
HDR Engineering, Inc.  
Firm Registration No. F-754  
710 Hester Crossing, Suite 150  
Round Rock, Texas 78681



**CAPITAL EXPRESS CENTRAL**  
**☉ CESAR CHAVEZ TUNNEL**  
STA 236+50.00

SCALE: HORIZ: 1"=40'  
VERT: 1"=40'

CONT	SECT	JOB	HIGHWAY
0015	13	433, ETC.	I-35
DIST		COUNTY	SHEET NO.
AUS		TRAVIS	995



NO.	DATE	REVISION	APPR BY



HDR Engineering, Inc.  
 Firm Registration No. F-754  
 710 Hester Crossing, Suite 150  
 Round Rock, Texas 78681




**CAPITAL EXPRESS CENTRAL**  
 Ç CESAR CHAVEZ TUNNEL  
 STA 236+56.95

SCALE: HORIZ: 1"=40'  
 VERT: 1"=40'

CONT	SECT	JOB	HIGHWAY
0015	13	433, ETC.	I-35
DIST COUNTY			SHEET NO.
AUS	TRAVIS	996	