

**Texas Department of Transportation
Book 2 - Technical Provisions**

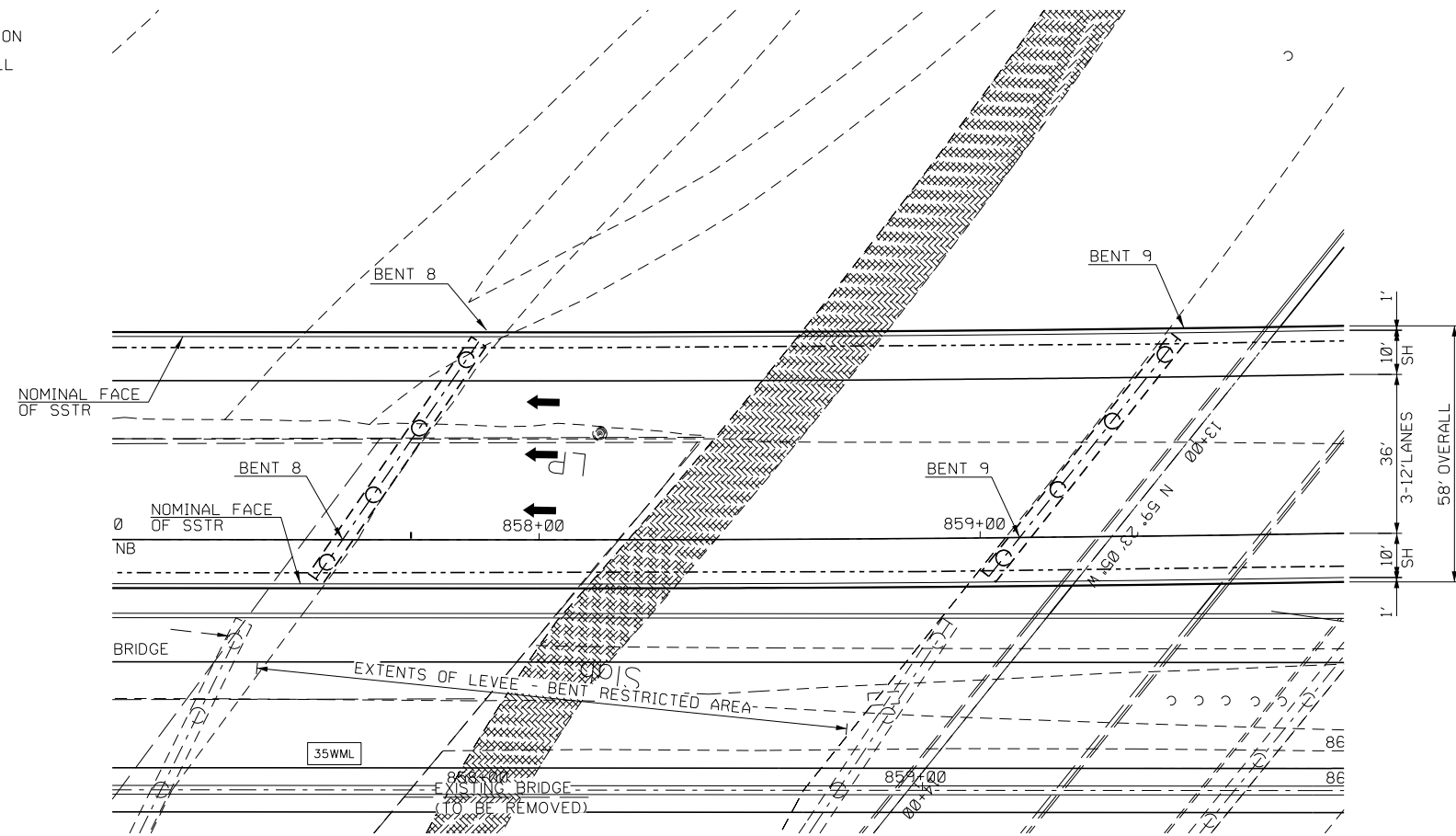
**North Tarrant Express Project
Segments 3A and 3B Facility**

**Attachment 13-1
Trinity River Crossing Bent Locations Base Case**

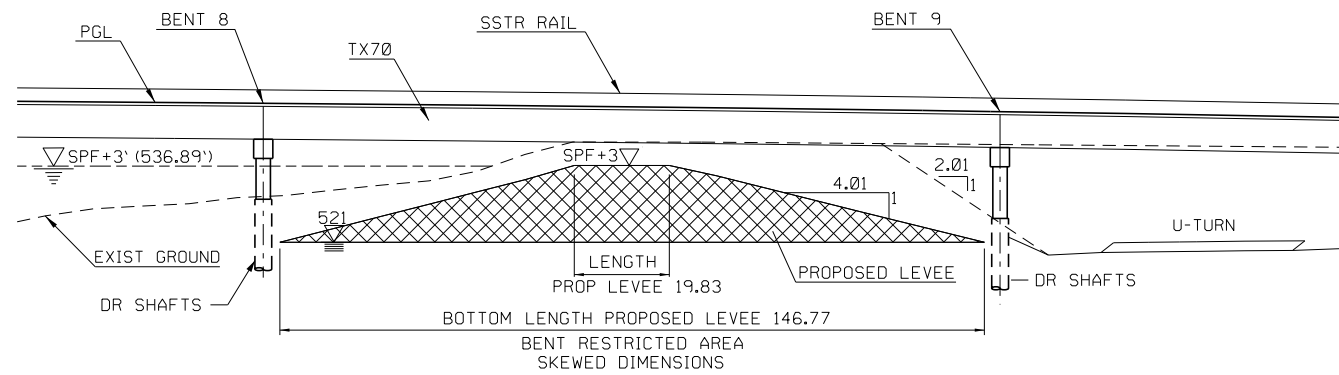
September 30, 2012

LEGEND

⊕ DENOTES BORING LOCATION
 FFBW= FRONT FACE OF BACKWALL



PLAN



ELEVATION

©2011 Texas Department of Transportation

north tarrant
express

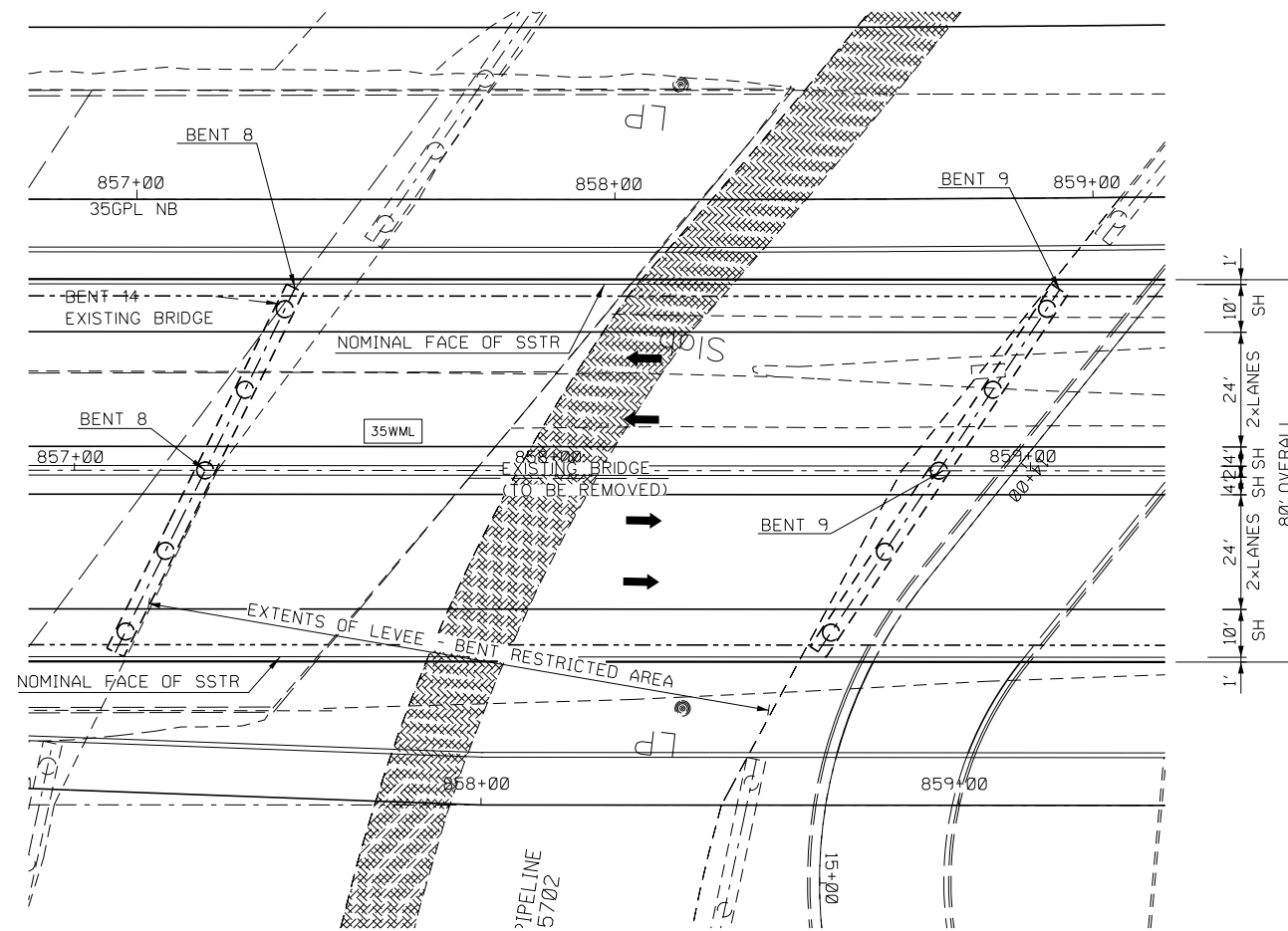
NTE EXTENSION SEGMENT 3A
 BRIDGE 224
 GPL NORTH BOUND
**LAYOUT - MANDATORY
 CONFIGURATION**

SCALE: 1" = 40' SHEET 1 OF 1

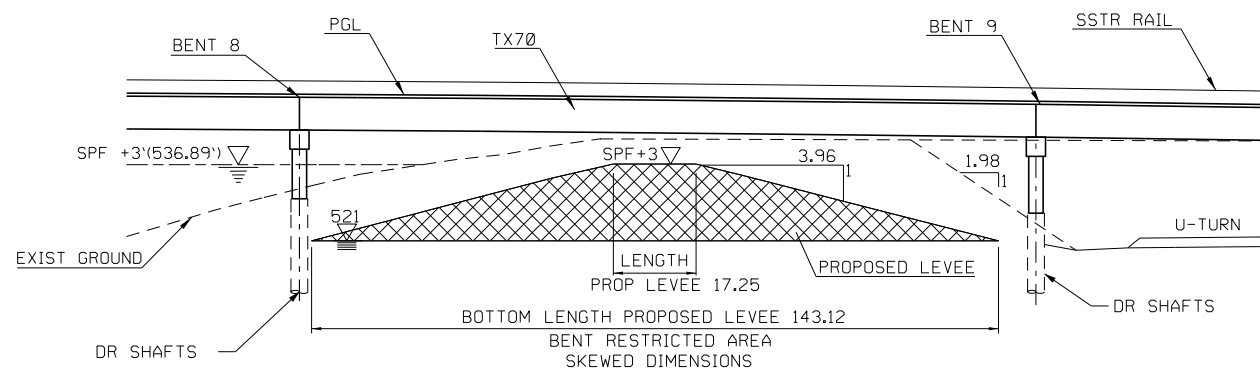
FED. RD. DIV. NO.	FEDERAL AID PROJECT NO.	SHEET NO.
STATE	DISTRICT	COUNTY
TEXAS	FT. WORTH	TARRANT
CONT	SECT	JOB
		HIGHWAY NO

LEGEND

⊙ DENOTES BORING LOCATION
 FFBW= FRONT FACE OF BACKWALL



PLAN



ELEVATION

©2011 Texas Department of Transportation
 north tarrant express

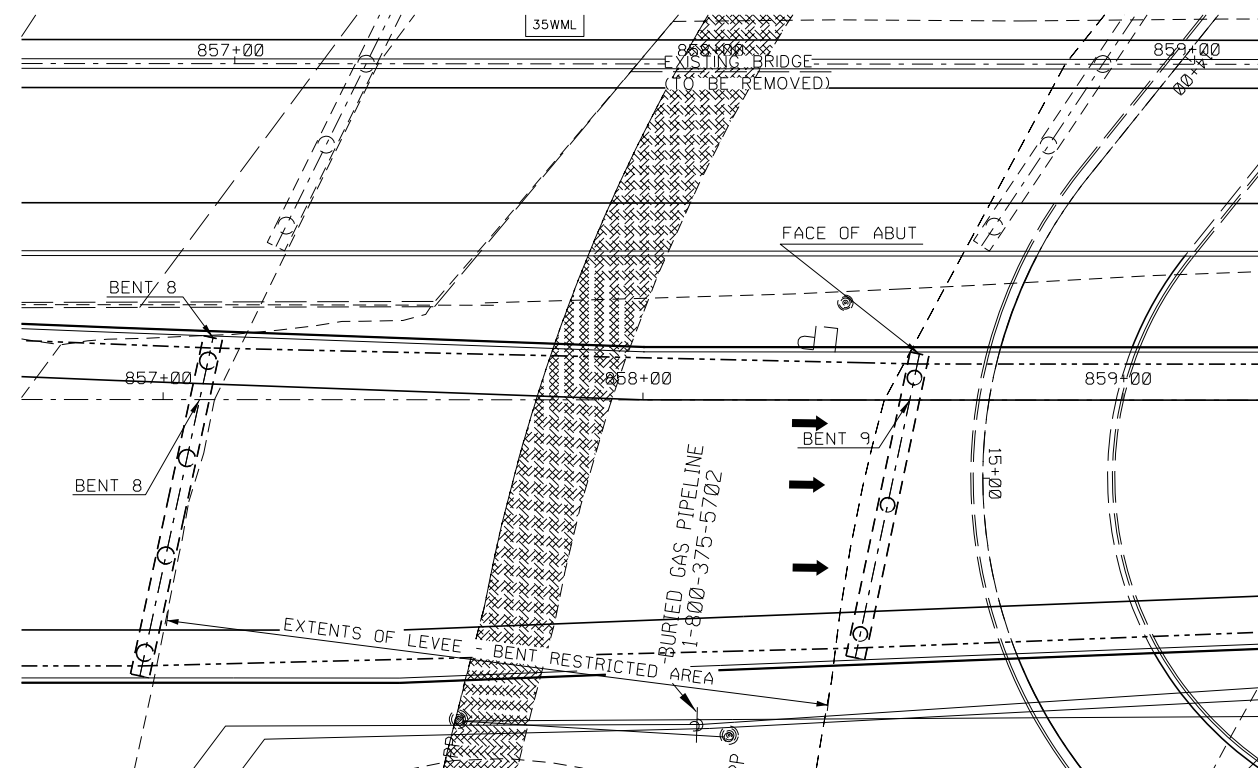
NTE EXTENSION SEGMENT 3A
 BRIDGE 225
 MANAGED LANES
LAYOUT - MANDATORY CONFIGURATION

SCALE: 1" = 40' SHEET 1 OF 1

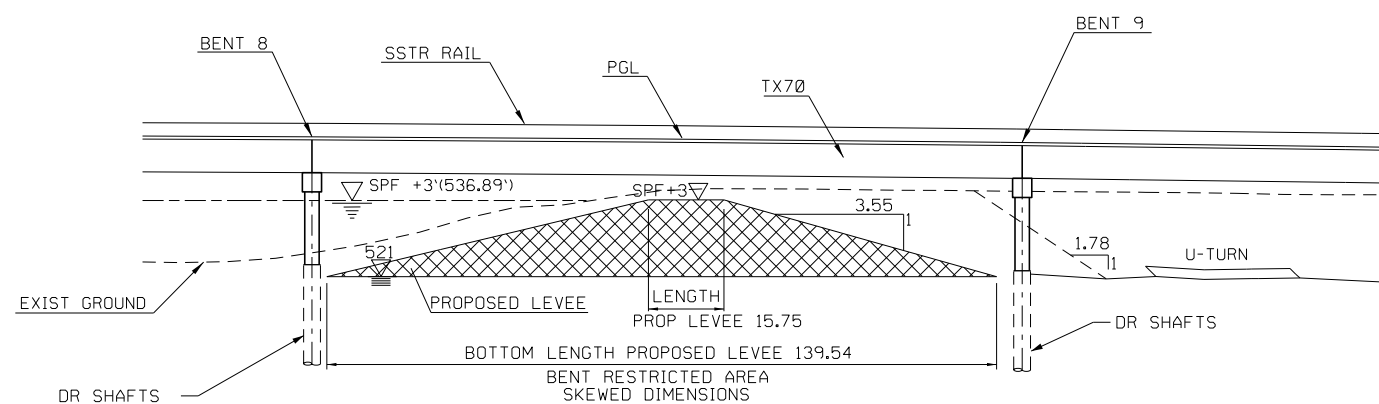
FED. RD. DIV. NO.	FEDERAL AID PROJECT NO.		SHEET NO.
STATE	DISTRICT	COUNTY	
TEXAS	FT. WORTH	TARRANT	
CONT	SECT	JOB	HIGHWAY NO

LEGEND

⊙ DENOTES BORING LOCATION
 FFBW= FRONT FACE OF BACKWALL



PLAN



ELEVATION

©2011 Texas Department of Transportation

north tarrant
express

NTE EXTENSION SEGMENT 3A
 BRIDGE 226
 GPL SOUTH BOUND
LAYOUT - MANDATORY CONFIGURATION

SCALE: 1" = 40' SHEET 1 OF 1

FED. RD. DIV. NO.	FEDERAL AID PROJECT NO.	SHEET NO.
STATE	DISTRICT	COUNTY
TEXAS	FT. WORTH	TARRANT
CONT	SECT	JOB
		HIGHWAY NO