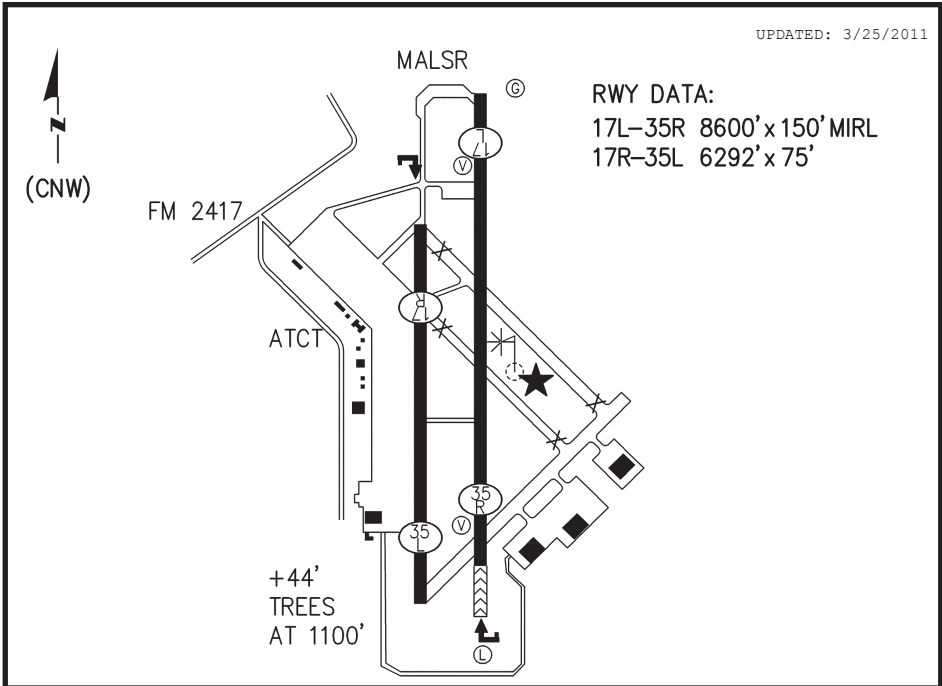


UPDATED: 3/25/2011



RWY DATA:

17L-35R 8600' x 150' MIRL

17R-35L 6292' x 75'

Lat: N 31° 38.27'
Lon: W 97° 04.45'

Elev: 470' MSL
TPA: STD

Sectional: SAN ANTONIO
Downtown to Apt: 08 nm/NE

Owner: TEXAS STATE TECH COLLEGE
 T.S.T.C.
 WACO TX 76705

Phone: 254-799-3611

Manager:

DAN ROWAN
 TSTC, ARPT MGR
 WACO TX 76705
 254-867-4807

ATTENDANCE SCHEDULE: MON-FRI 7:00AM-6:00PM

FUEL: JET A 100LL

REPAIRS: Airframe: MINOR Power Plant: MINOR

LIGHTS: DSK-DWN

UNICOM: 122.95

CTAF: 124.0 (TWR)

AWOS: 134.225 / 254-867-3880

REMARKS: FOOD-LODGING (1/2 MI); TAXI; NIGHT OPS REQUIRE 24 HOUR NOTICE W/FEE CHARGED

FIXED BASE OPERATOR: SERVION OF WACO 799-5513

